

US00D690514S

(12) **United States Design Patent**
Shamp

(10) **Patent No.:** **US D690,514 S**

(45) **Date of Patent:** **** Oct. 1, 2013**

- (54) **NESTABLE BIN CUP**
- (71) Applicant: **Travis D Shamp**, Akron, OH (US)
- (72) Inventor: **Travis D Shamp**, Akron, OH (US)
- (**) Term: **14 Years**
- (21) Appl. No.: **29/439,695**
- (22) Filed: **Dec. 13, 2012**
- (51) **LOC (9) Cl.** **03-01**
- (52) **U.S. Cl.**
USPC **D3/304**
- (58) **Field of Classification Search**
USPC D3/201, 304, 308, 315; D6/510;
206/203, 215, 557-558, 821-822; 229/914-915
See application file for complete search history.

D606,314 S *	12/2009	Neilsen	D3/313
7,681,785 B2 *	3/2010	Grigor	229/176
D615,328 S *	5/2010	Snider	D6/510
D621,619 S *	8/2010	Ripoll	D3/304
D665,847 S *	8/2012	Tsai	D19/92
D666,829 S *	9/2012	Liao	D3/304
D669,540 S *	10/2012	Hu	D19/92
D679,331 S *	4/2013	Stravitz	D19/92

* cited by examiner

Primary Examiner — Kelley Donnelly
(74) *Attorney, Agent, or Firm* — Stephen W. Barns

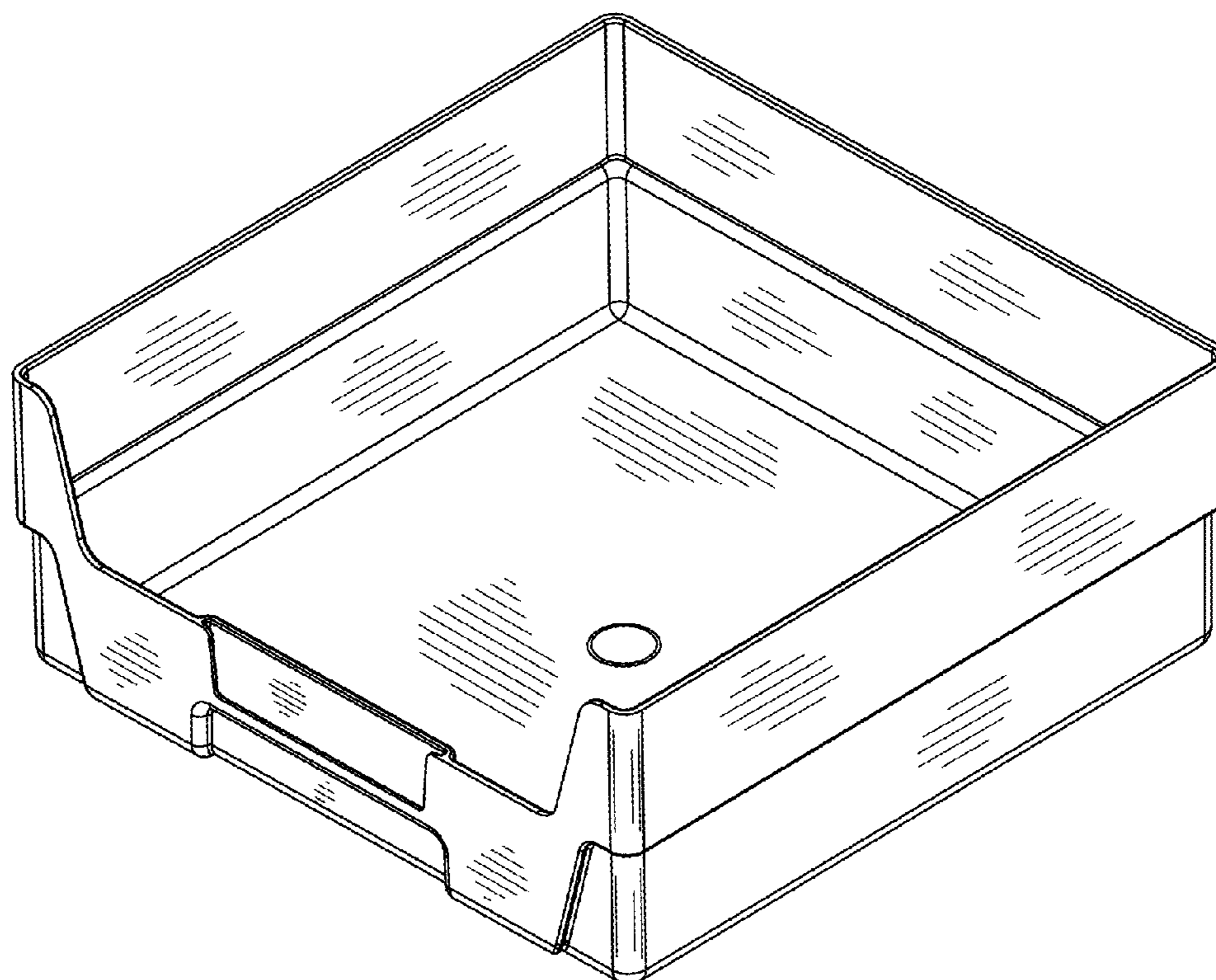
(57) **CLAIM**
I claim the ornamental design for a nestable bin cup, as shown and described.

DESCRIPTION

FIG. 1 is a top right perspective view of a nestable bin cup.
 FIG. 2 is a bottom left perspective view thereof.
 FIG. 3 is a top plan view thereof.
 FIG. 4 is a bottom plan view thereof.
 FIG. 5 is a front plan view thereof.
 FIG. 6 is a rear plan view thereof.
 FIG. 7 is a side plan view thereof.
 FIG. 8 is a top left perspective view thereof showing a second cup stacked above; and,
 FIG. 9 is a top left perspective view thereof showing a second cup stacked above.
 The broken lines are for the purpose of illustrating the environment of the article only and form no part of the claimed design.

- (56) **References Cited**
U.S. PATENT DOCUMENTS
- | | | | | |
|----------------|---------|------------------|-------|---------|
| D232,783 S * | 9/1974 | Payne | | D3/304 |
| 5,429,296 A * | 7/1995 | Southwell et al. | | 229/168 |
| D402,466 S * | 12/1998 | Werbesky, Jr. | | D3/314 |
| D409,387 S * | 5/1999 | Yemini | | D3/307 |
| D423,983 S * | 5/2000 | Goldman et al. | | D11/143 |
| D467,732 S * | 12/2002 | Taylor et al. | | D3/304 |
| D473,592 S * | 4/2003 | Hardy et al. | | D19/78 |
| D517,319 S * | 3/2006 | Wisnoski et al. | | D3/304 |
| D581,159 S * | 11/2008 | Neilsen | | D3/304 |
| D582,190 S * | 12/2008 | Valiulis et al. | | D6/567 |
| 7,588,162 B2 * | 9/2009 | Dube et al. | | 220/552 |

1 Claim, 5 Drawing Sheets



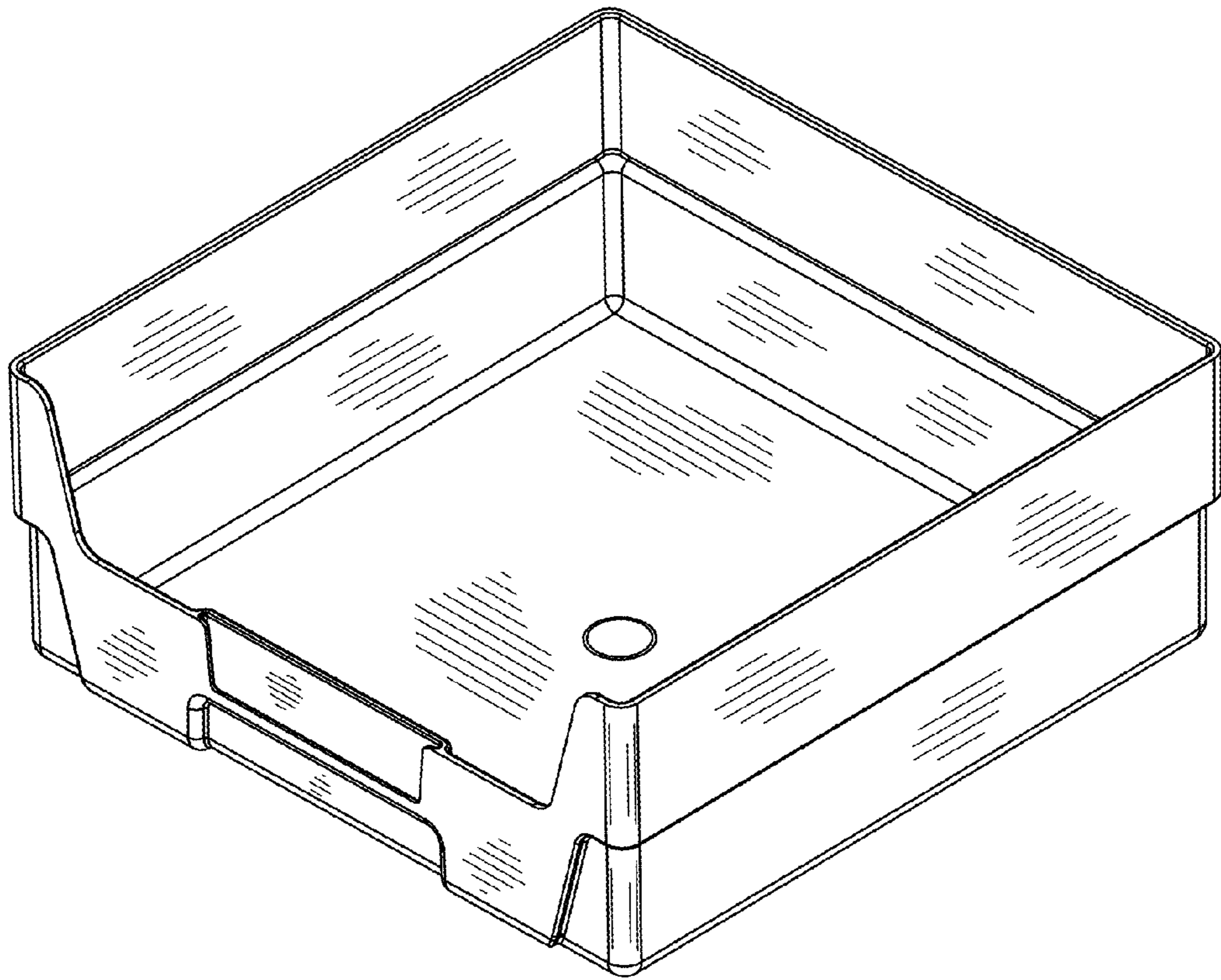


FIG. 1

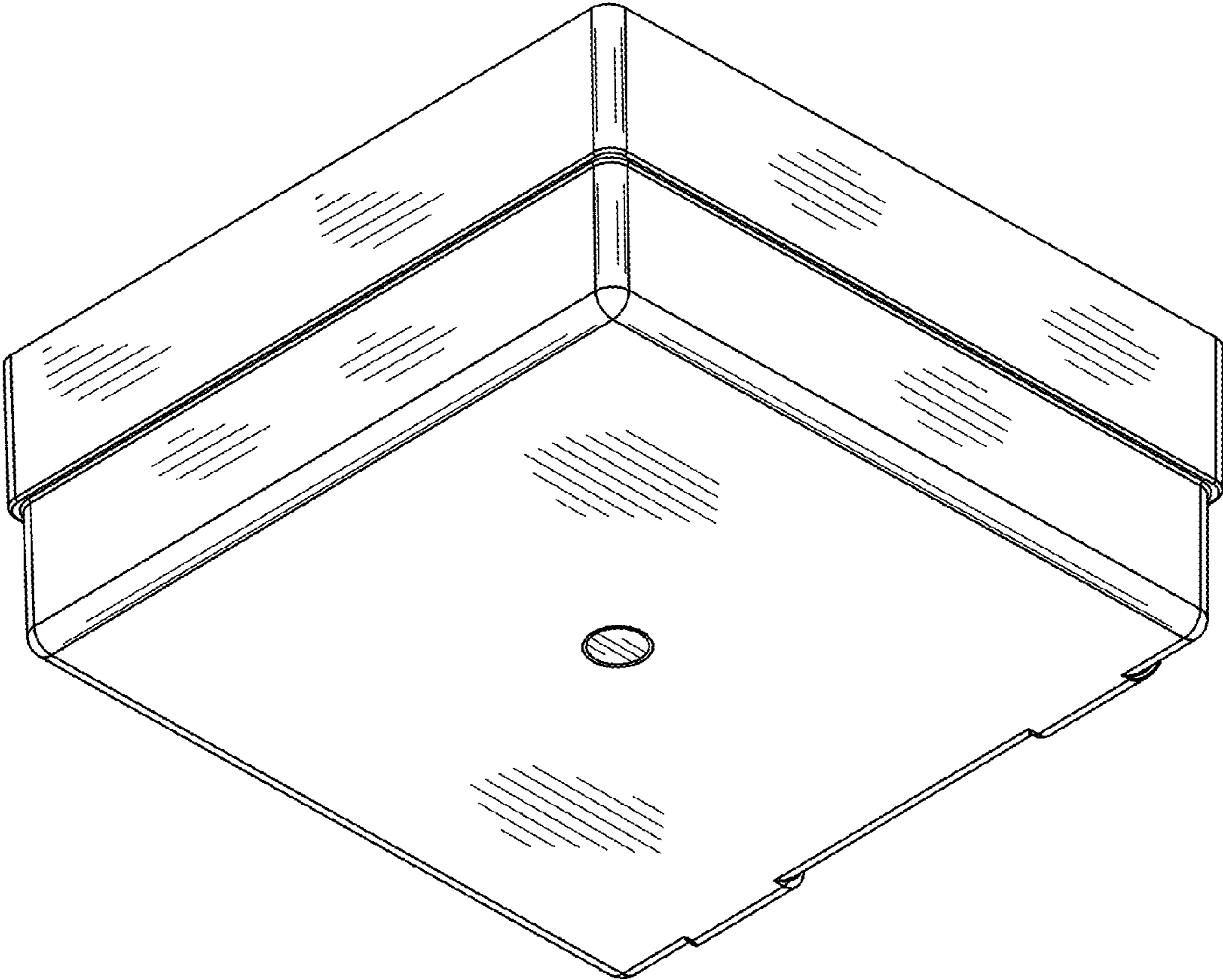


FIG. 2

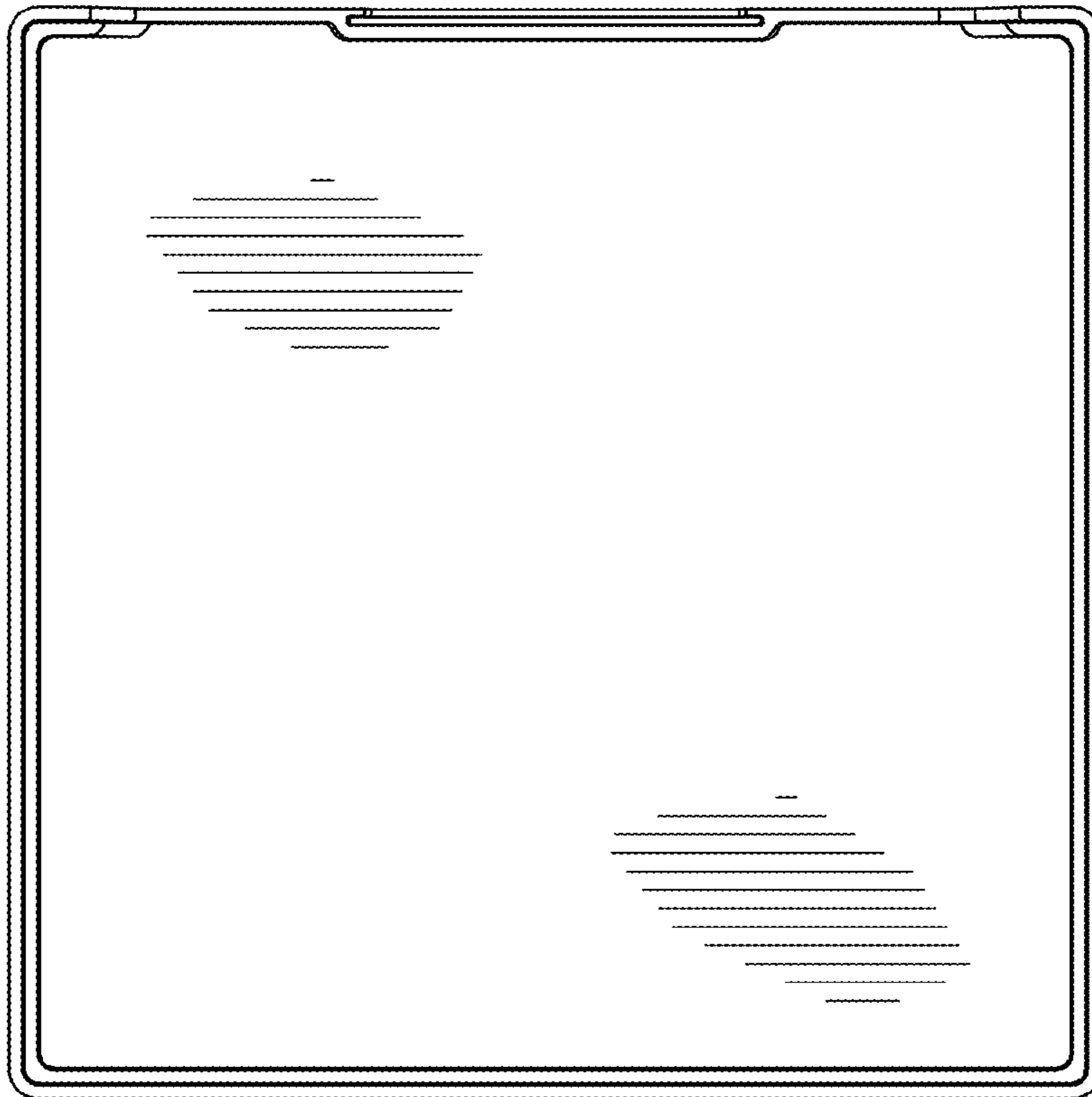


FIG. 3

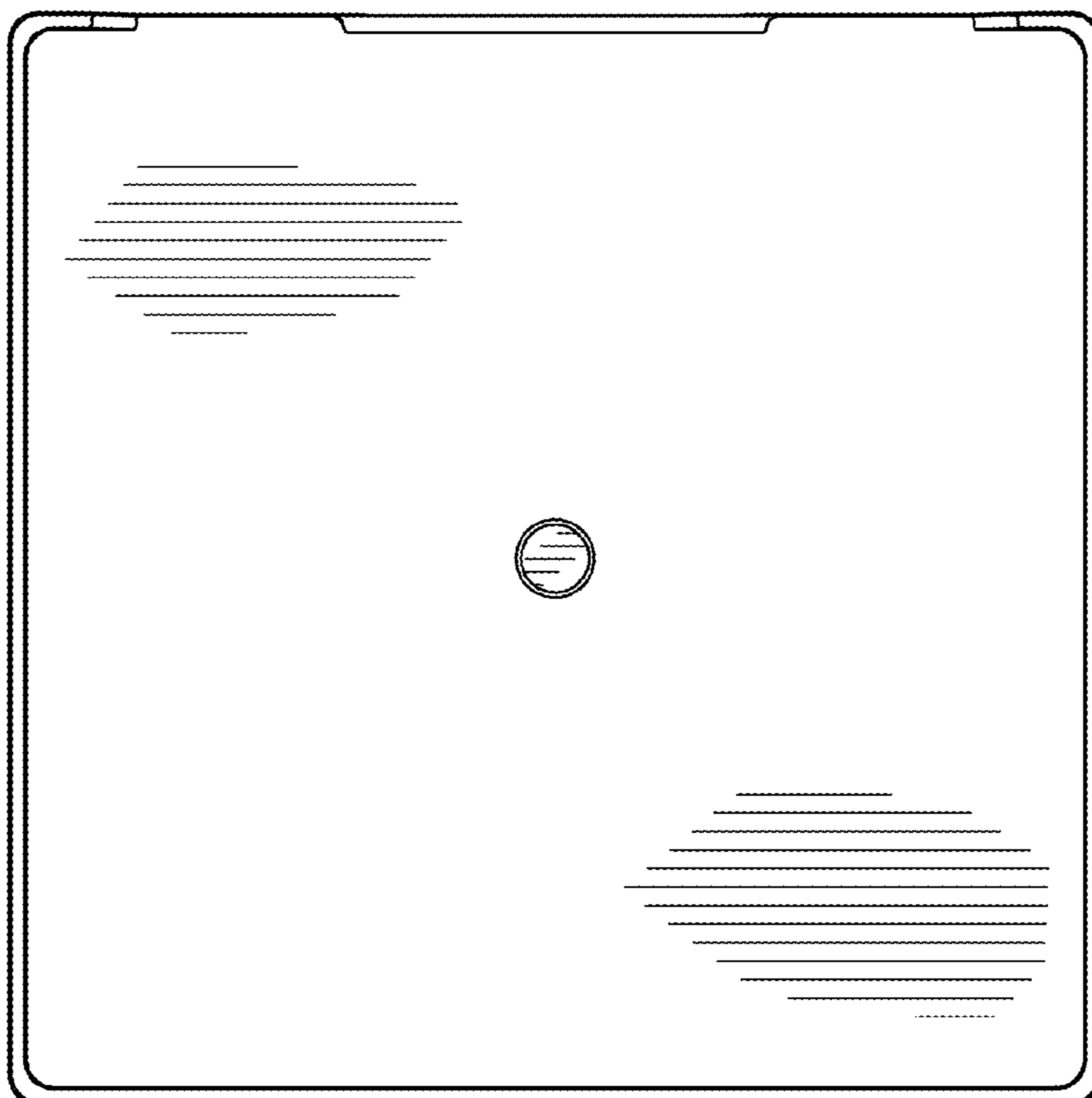


FIG. 4

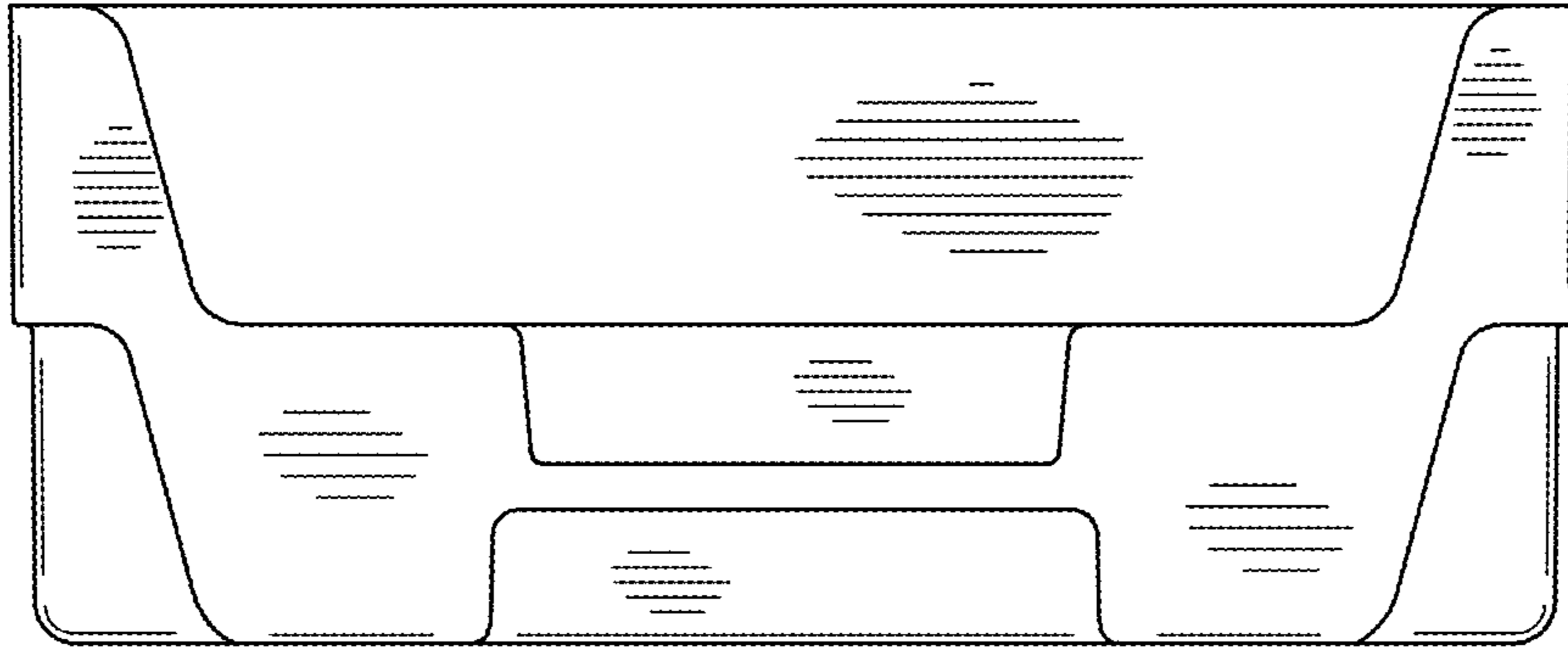


FIG. 5

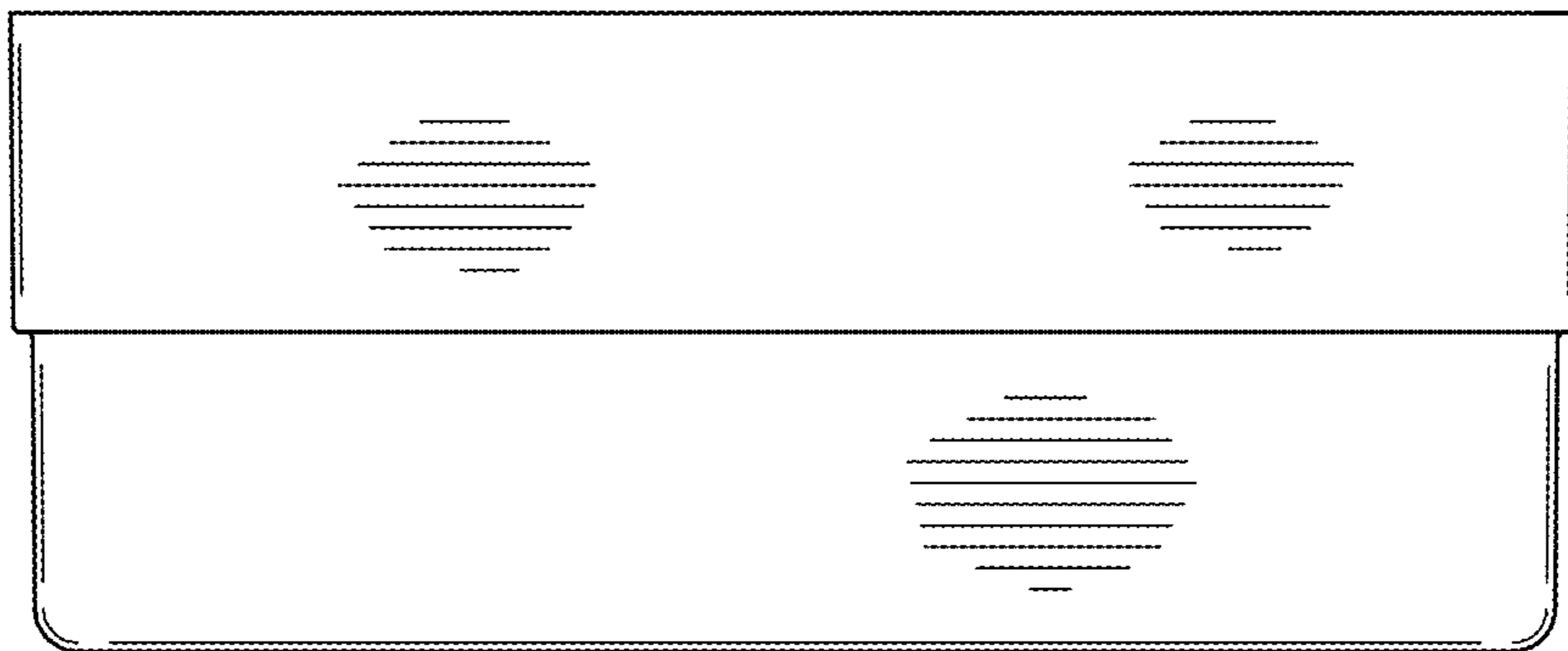


FIG. 6

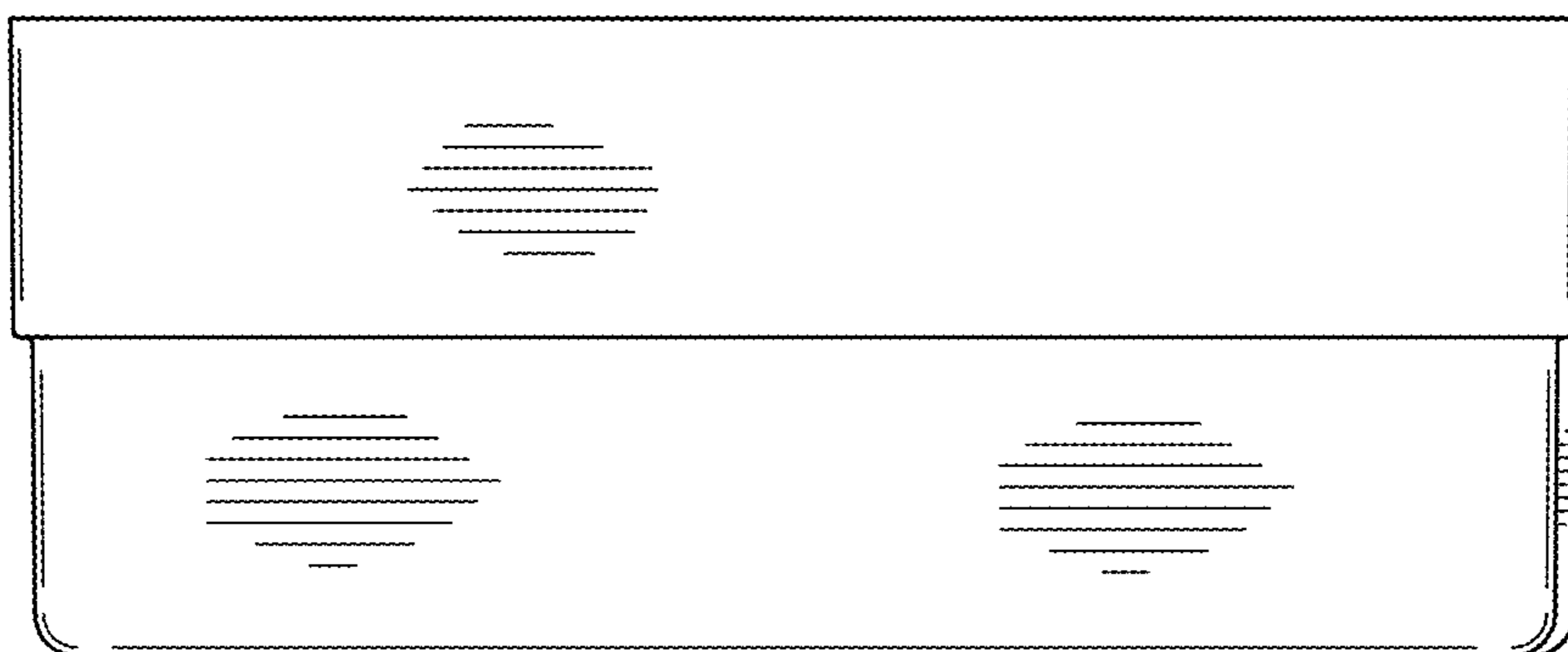


FIG. 7

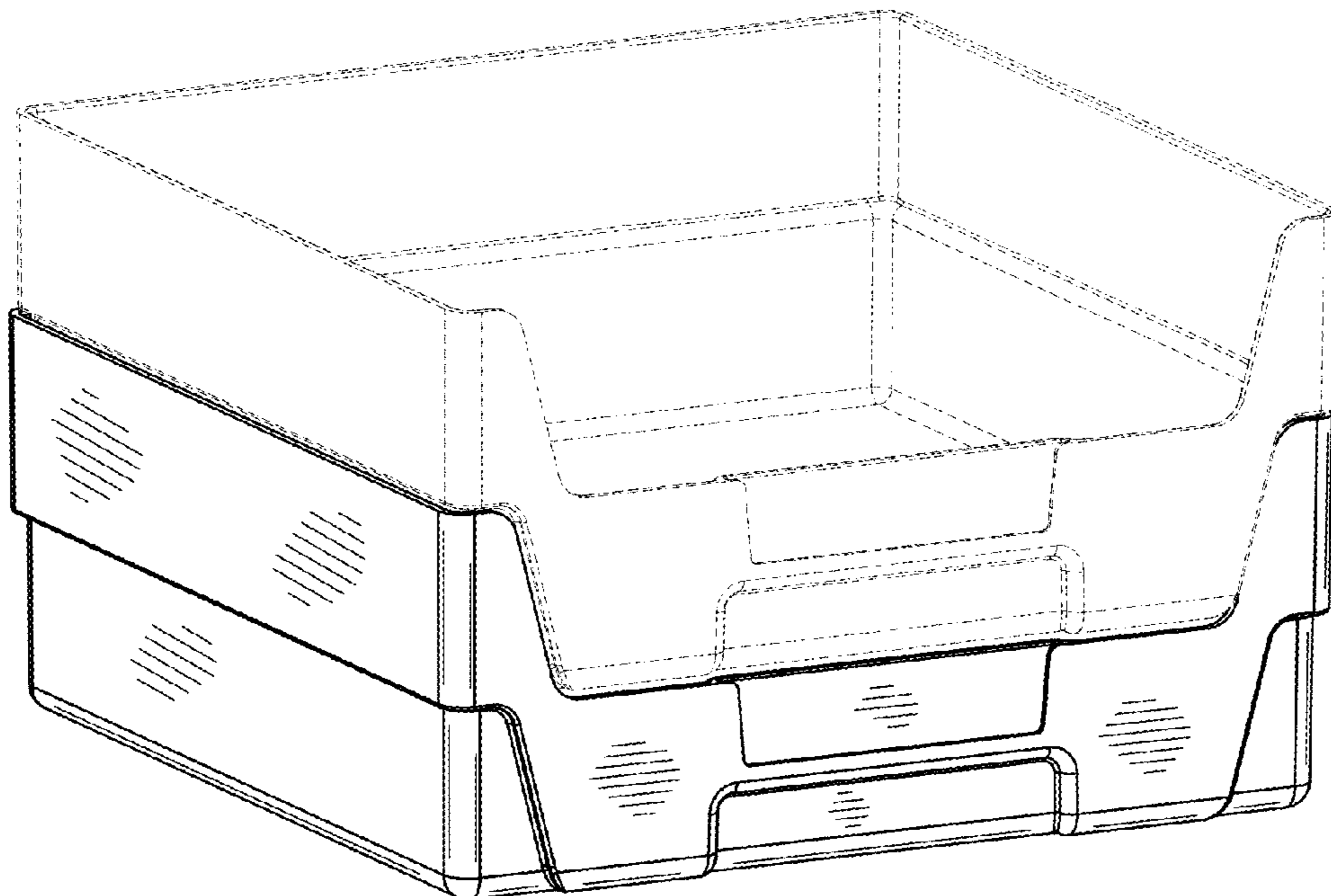


FIG. 8

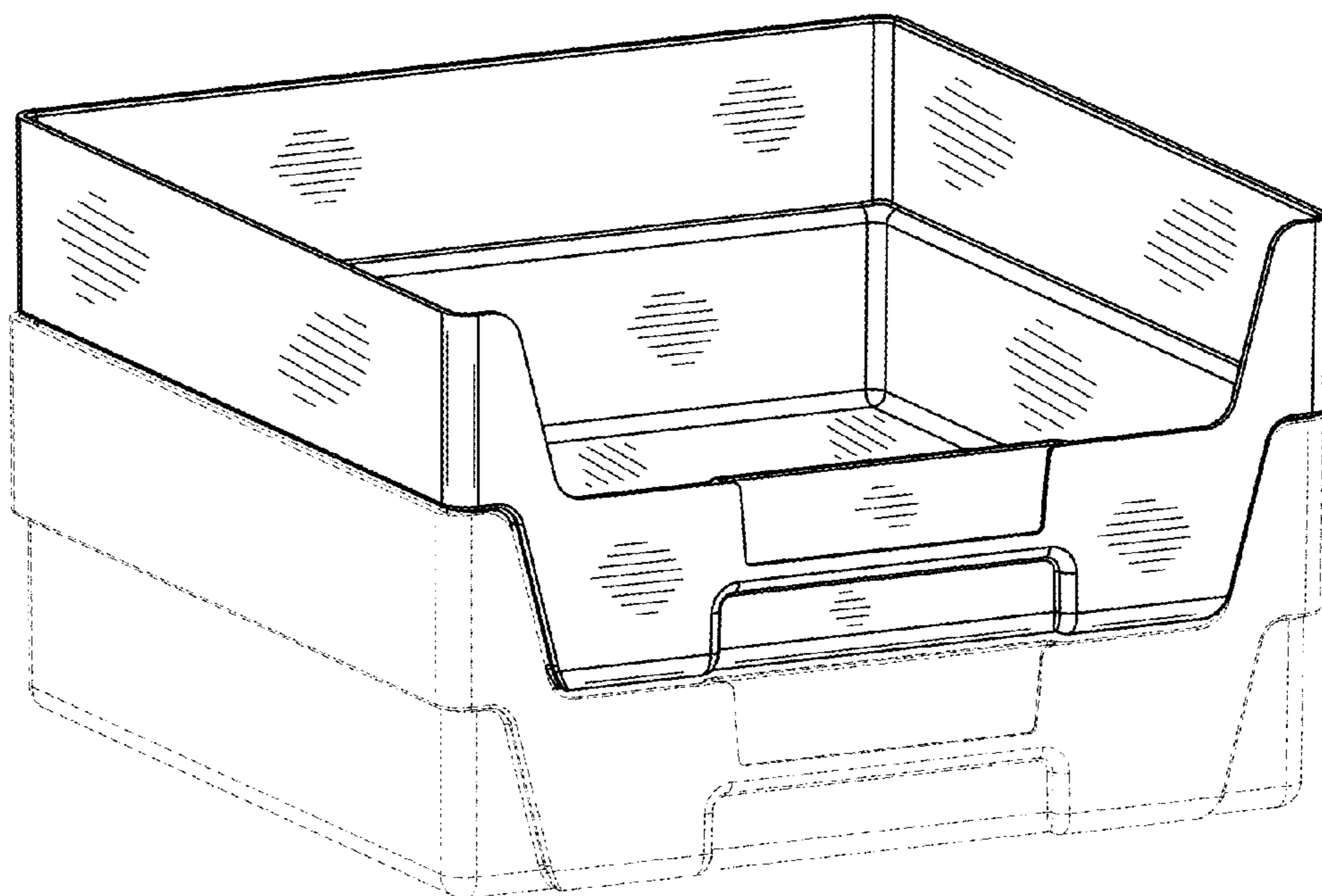


FIG. 9