



US00D690512S

(12) **United States Design Patent**
Phillips et al.

(10) **Patent No.:** **US D690,512 S**
(45) **Date of Patent:** **** Oct. 1, 2013**

(54) **ELECTRONIC DEVICE FLAP FOLIO**
(75) Inventors: **Alison Phillips**, Toronto (CA); **Caitlin Curran-Blaney**, Toronto (CA); **Wai Yu Chung**, Richmond (CA)
(73) Assignee: **BlackBerry Limited**, Waterloo, Ontario (CA)

D261,826 S * 11/1981 Webb D3/299
D338,557 S * 8/1993 Papernik D3/245
D339,604 S * 9/1993 Gerber-Phinny D19/3
D496,792 S * 10/2004 Crites D3/299
D529,718 S * 10/2006 Rasmussen D3/299
D618,277 S * 6/2010 Baker et al. D19/27
D681,952 S * 5/2013 Phillips et al. D3/303

* cited by examiner

(**) Term: **14 Years**

Primary Examiner — Holly Baynham

(21) Appl. No.: **29/414,128**

(57) **CLAIM**

We claim the ornamental design for an electronic device flap folio, as shown and described.

(22) Filed: **Feb. 24, 2012**

(51) **LOC (9) Cl.** **03-01**

(52) **U.S. Cl.**
USPC **D3/299**

DESCRIPTION

(58) **Field of Classification Search**
USPC D3/299, 245; D19/26–27; 206/273–274,
206/320
See application file for complete search history.

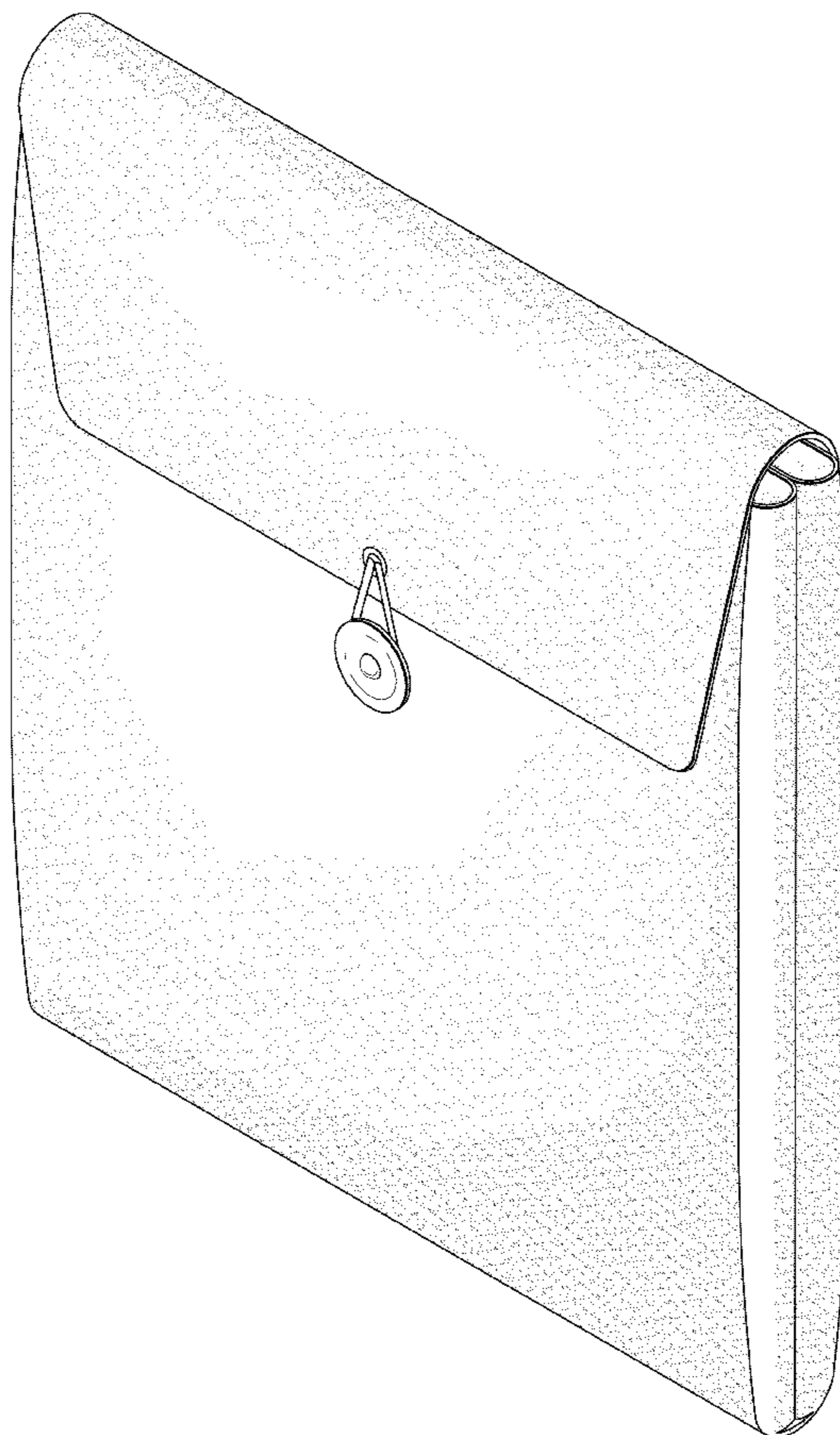
FIG. 1 is a front perspective view of an electronic device flap folio;
FIG. 2 is a front elevational view thereof;
FIG. 3 is a back elevational view thereof;
FIG. 4 is a right elevational view thereof;
FIG. 5 is a left elevational view thereof;
FIG. 6 is a top plan view thereof; and,
FIG. 7 is a bottom plan view thereof.

(56) **References Cited**

U.S. PATENT DOCUMENTS

D188,406 S * 7/1960 Berg D3/299
D236,556 S * 8/1975 DiPaola et al. D3/299

1 Claim, 5 Drawing Sheets



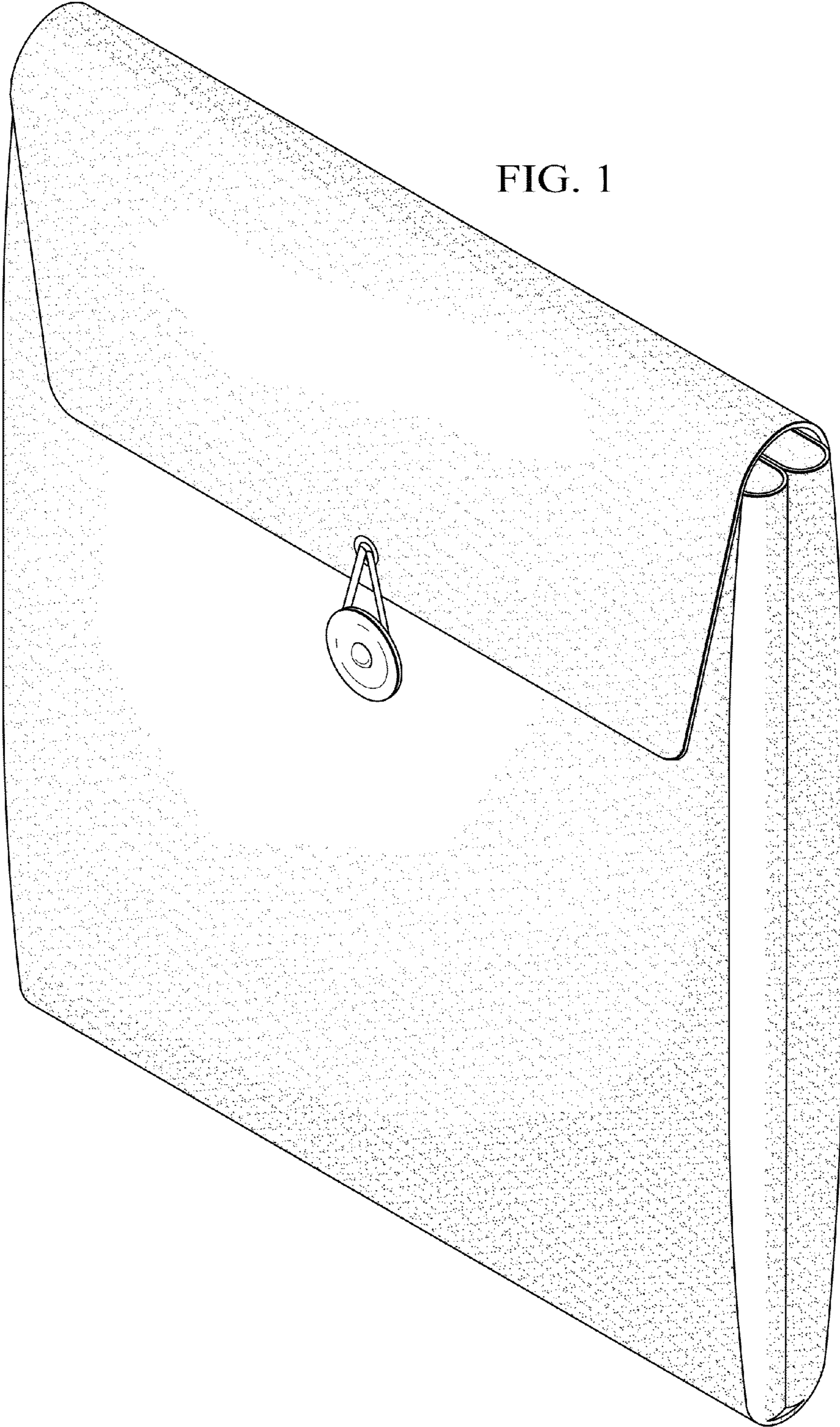


FIG. 2

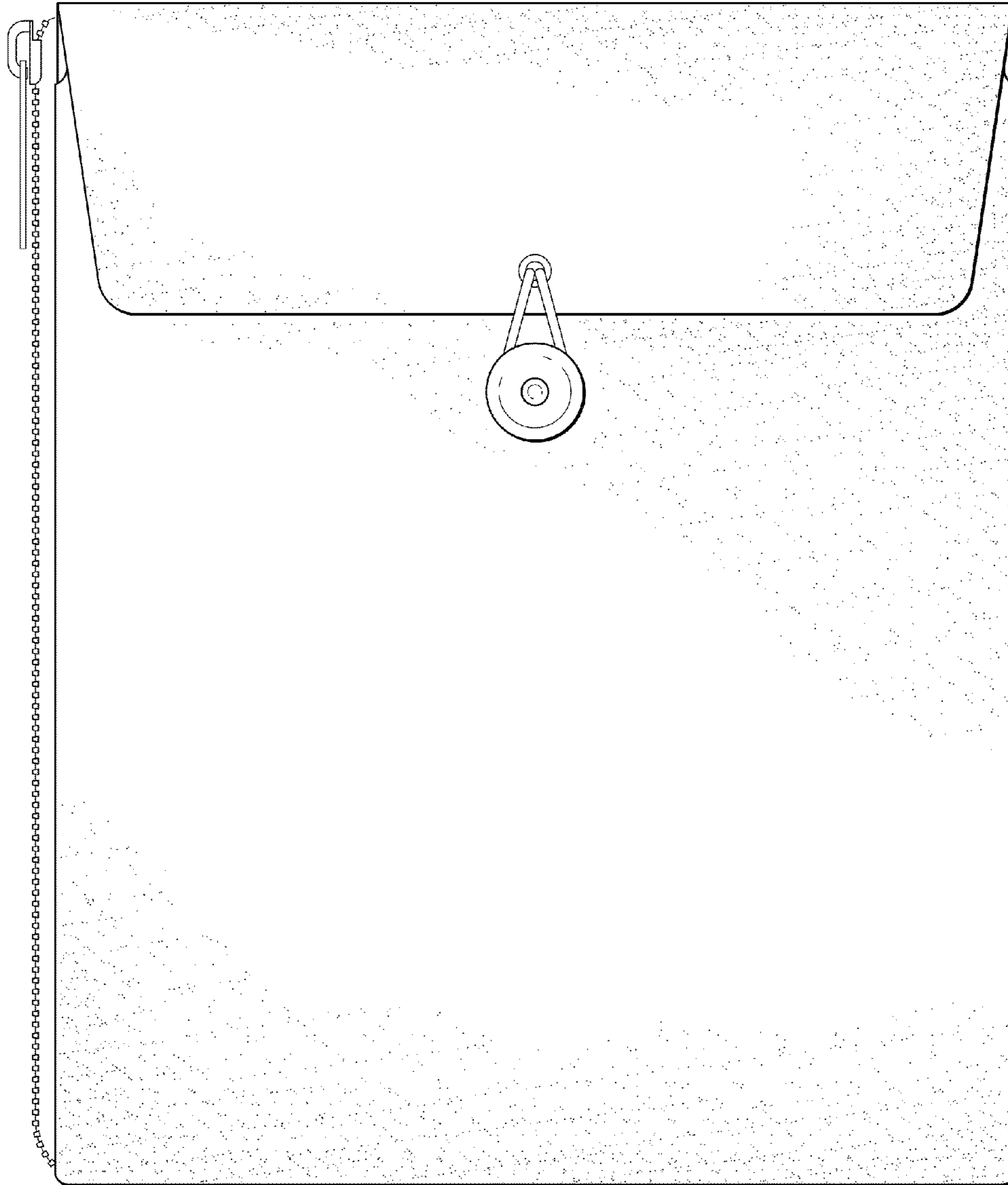


FIG. 3

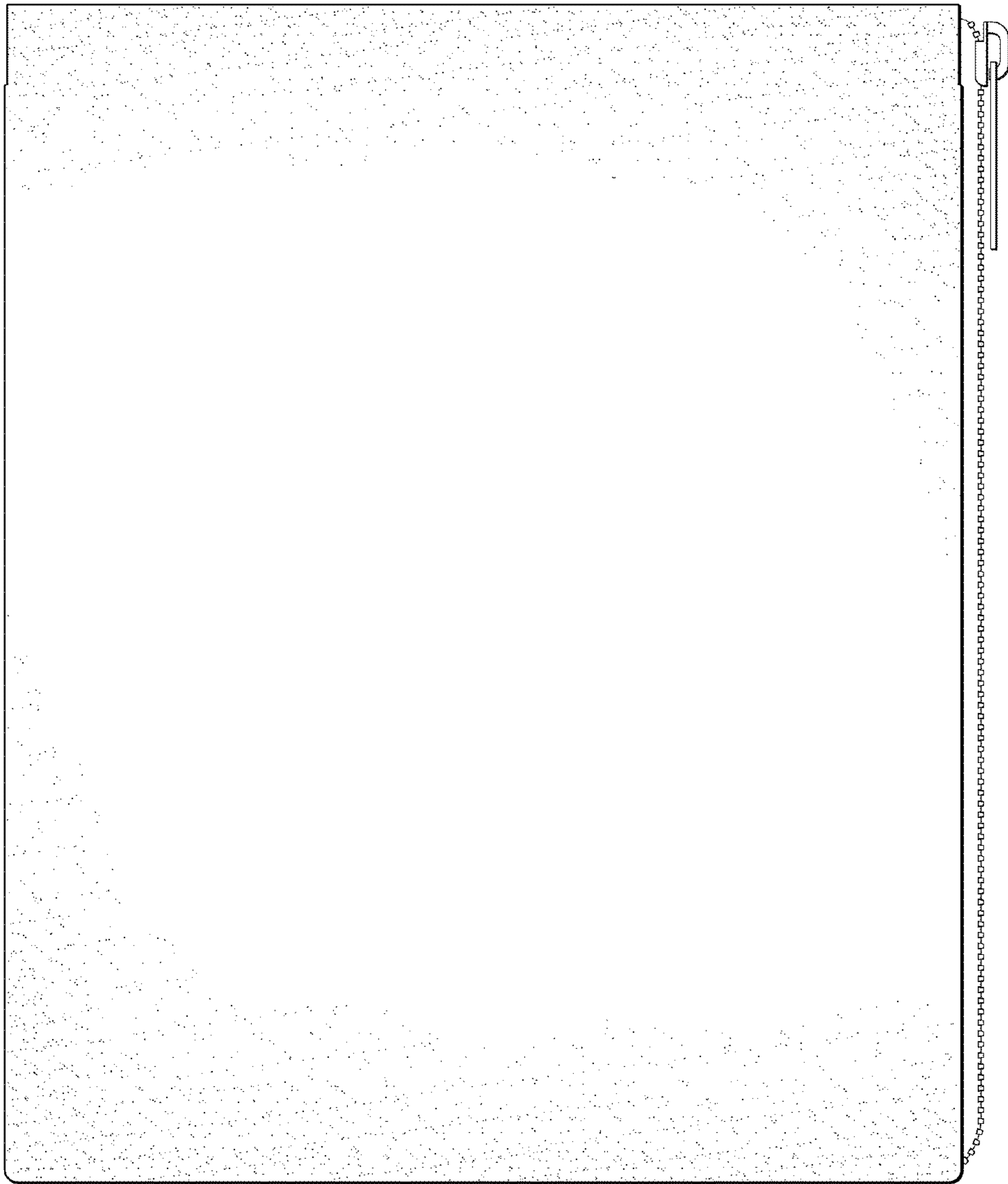


FIG. 4

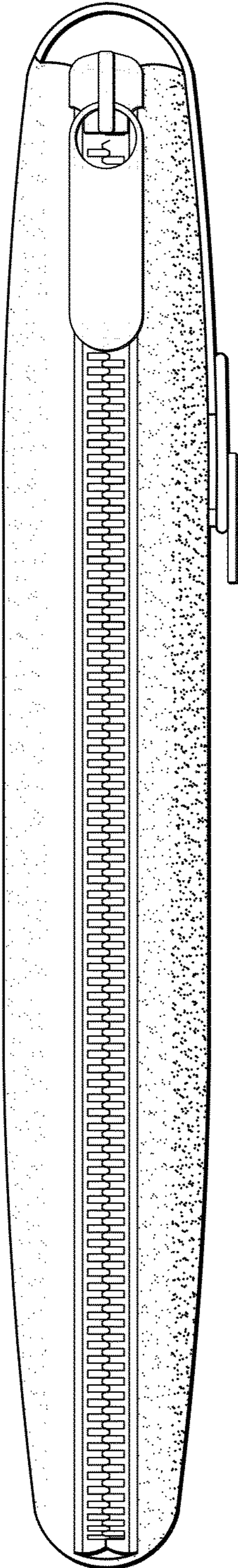


FIG. 5

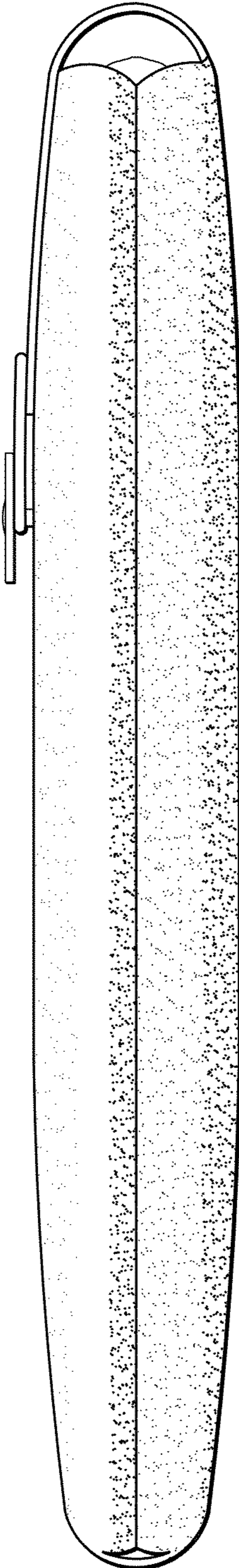


FIG. 6

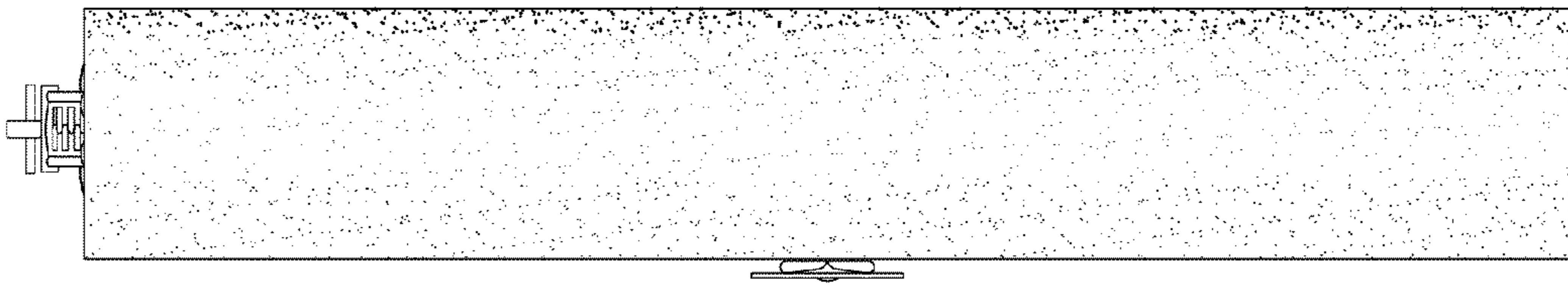


FIG. 7

