

US00D690511S

(12) **United States Design Patent**  
**Taylor**

(10) **Patent No.:** **US D690,511 S**  
(45) **Date of Patent:** **\*\* Oct. 1, 2013**

(54) **BRIEFCASE**

(76) Inventor: **Mark Taylor**, Upper Beeding (GB)

(\*\*) Term: **14 Years**

(21) Appl. No.: **29/390,251**

(22) Filed: **Apr. 21, 2011**

(30) **Foreign Application Priority Data**

Oct. 21, 2010 (EM) ..... 001241657-0001  
Oct. 21, 2010 (EM) ..... 001241657-0002  
Oct. 21, 2010 (EM) ..... 001241657-0003

(51) **LOC (9) Cl.** ..... **03-01**

(52) **U.S. Cl.**  
USPC ..... **D3/290; D3/900**

(58) **Field of Classification Search**  
USPC ..... D3/273, 276, 280, 283–293, 301,  
D3/300, 294, 900; 190/100–127, 900–903;  
150/106, 107, 108, 110, 111, 112, 118; 206/320  
See application file for complete search history.

(56) **References Cited**

U.S. PATENT DOCUMENTS

4,919,240	A	*	4/1990	Tobias	.....	190/103
D437,115	S	*	2/2001	Hillman	.....	D3/287
D552,350	S	*	10/2007	Bosley	.....	D3/290
D628,382	S	*	12/2010	Niehaus et al.	.....	D3/276
D631,661	S	*	2/2011	Niehaus et al.	.....	D3/276

\* cited by examiner

*Primary Examiner* — Jennifer Rivard  
(74) *Attorney, Agent, or Firm* — Conley Rose, P.C.

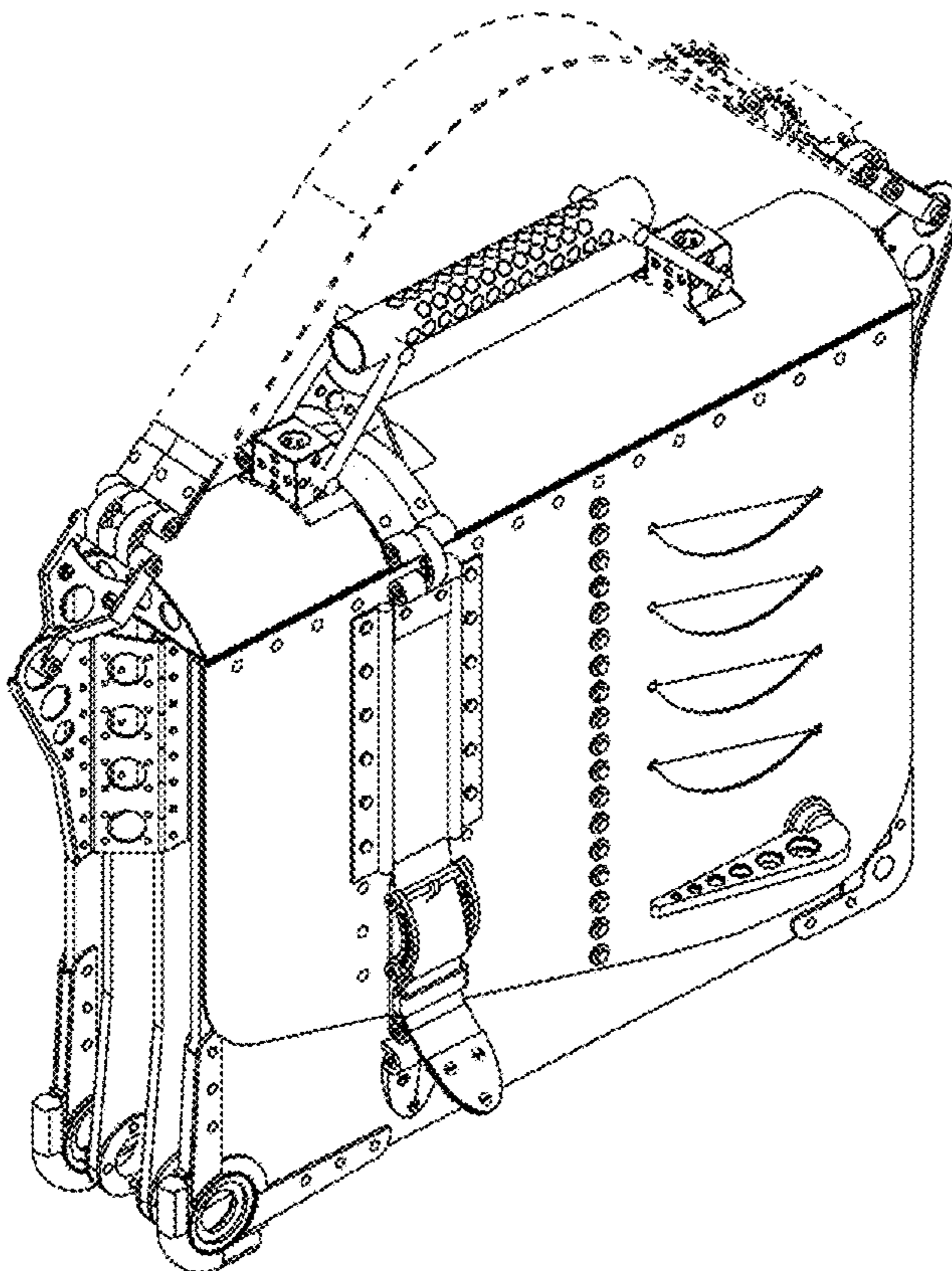
(57) **CLAIM**

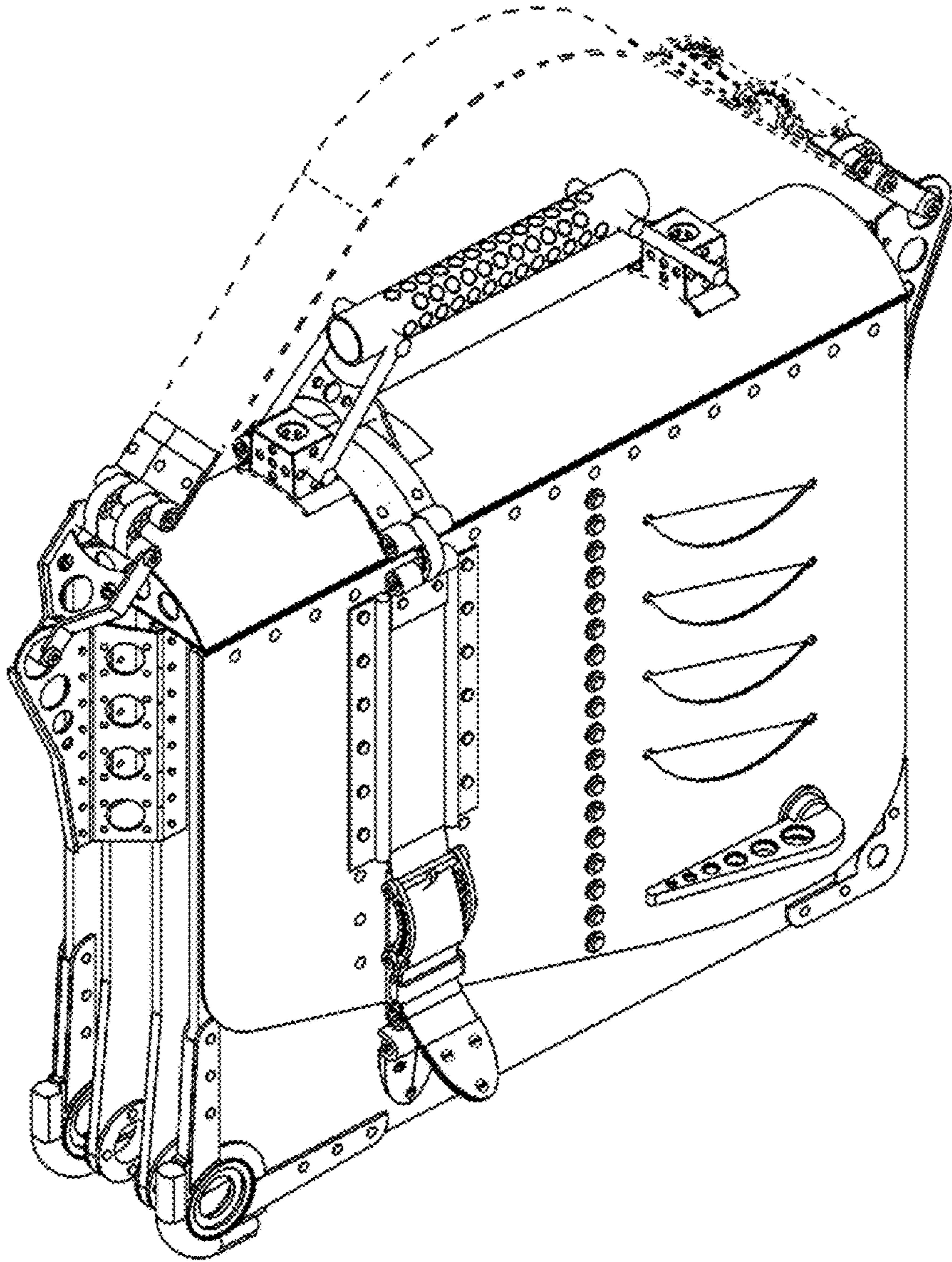
The ornamental design for a briefcase, as shown and described.

**DESCRIPTION**

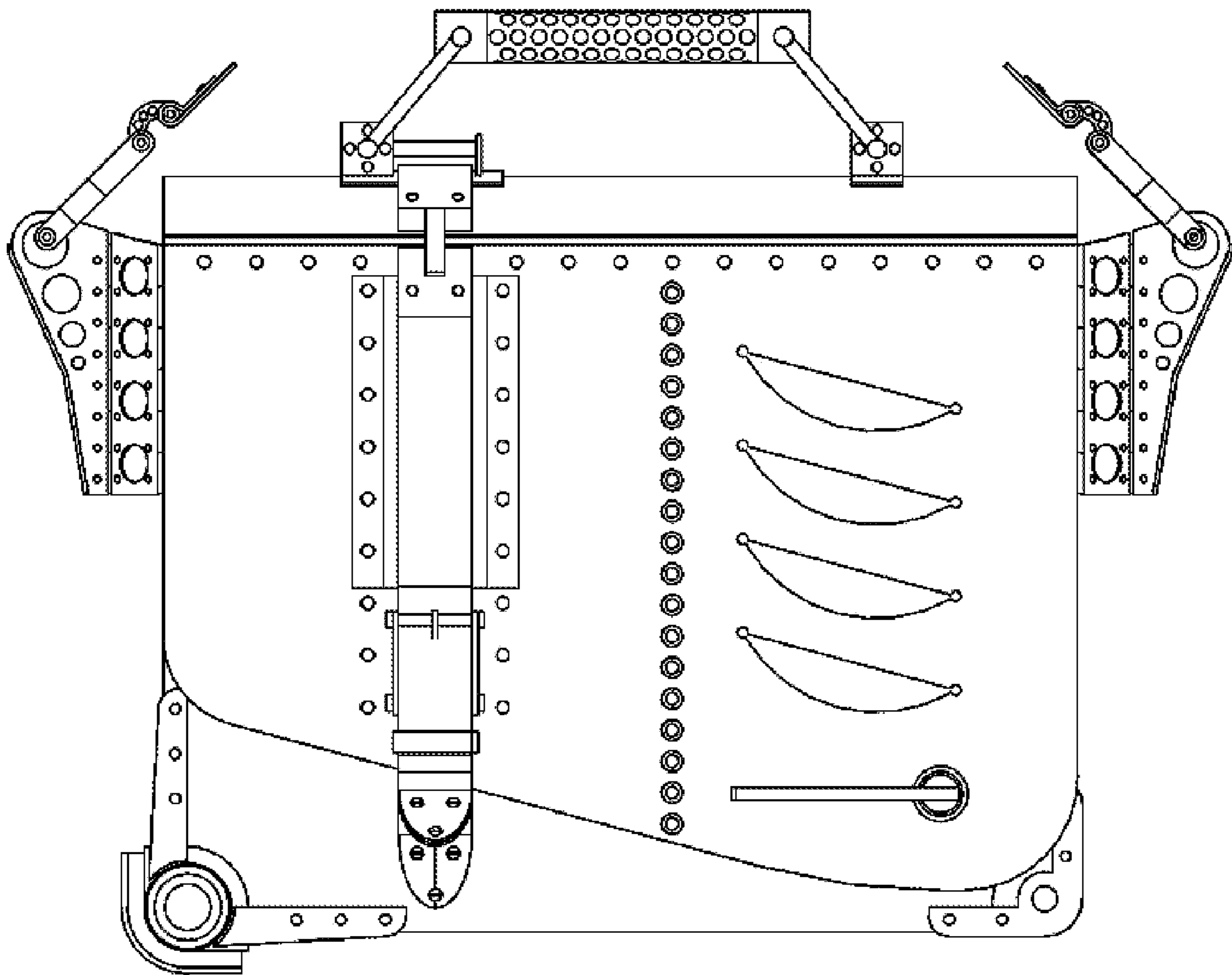
FIG. 1 is a perspective view of a briefcase;  
FIG. 2 is a front view thereof;  
FIG. 3 is a rear view thereof;  
FIG. 4 is a top view thereof;  
FIG. 5 is a bottom view thereof;  
FIG. 6 is a left view thereof; and,  
FIG. 7 is a right view thereof.  
The broken lines in FIG. 1 are included for the purpose of illustrating a portion of a strap that forms no part of the claimed design.

**1 Claim, 6 Drawing Sheets**

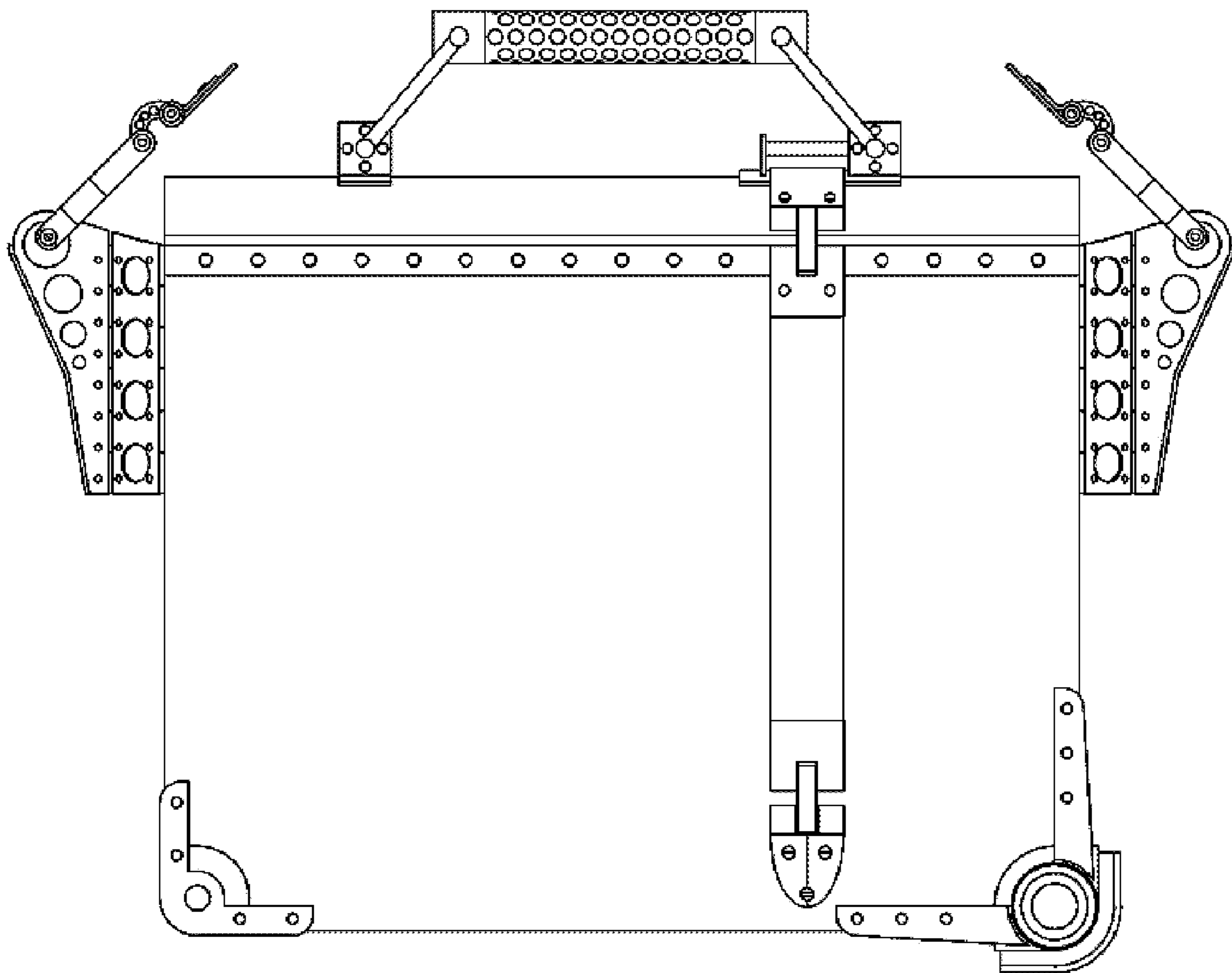




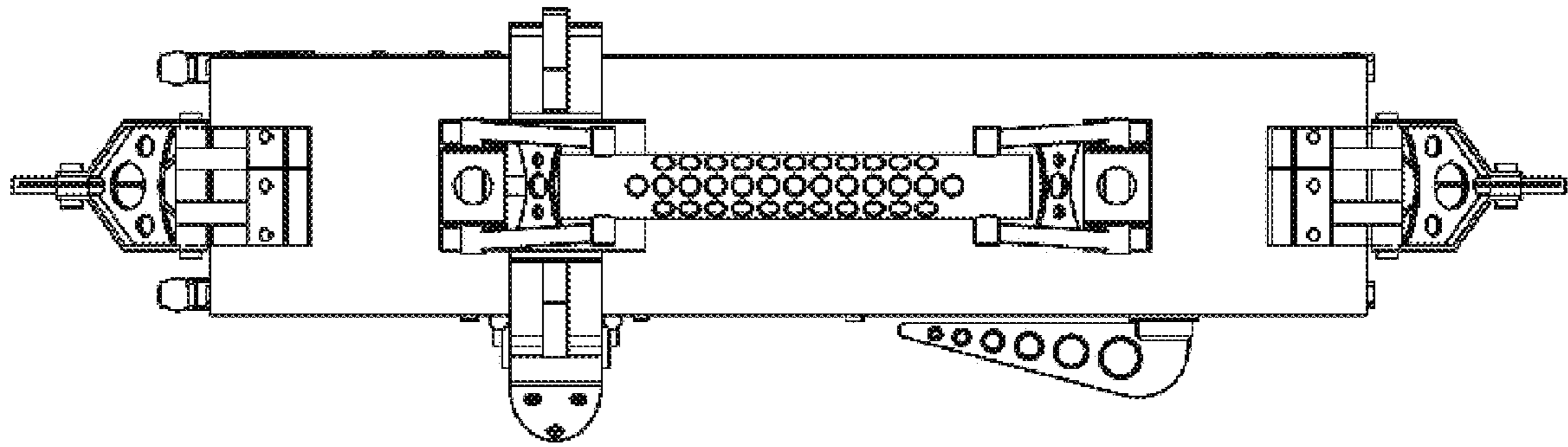
*Fig. 1*



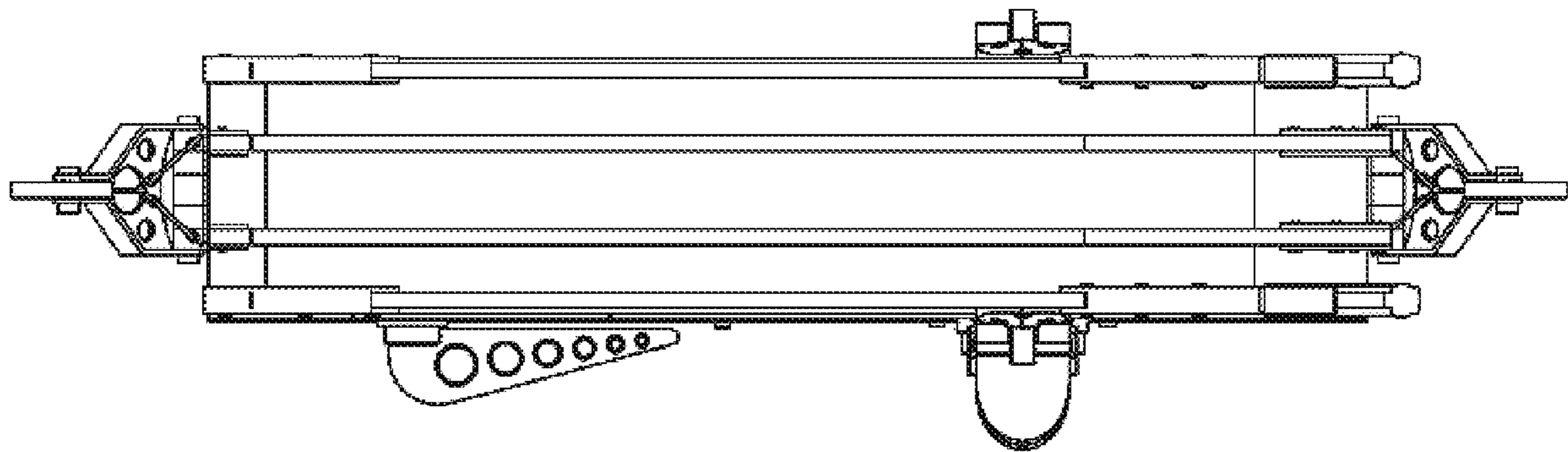
*Fig. 2*



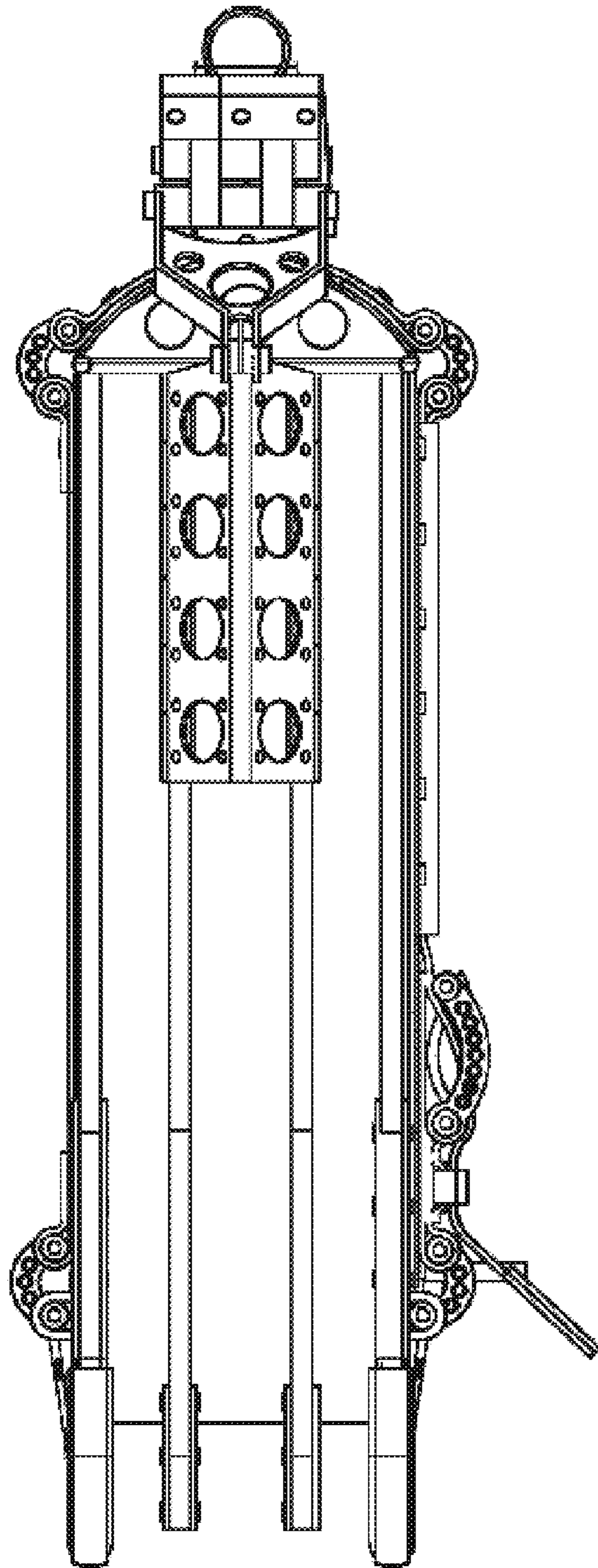
*Fig. 3*



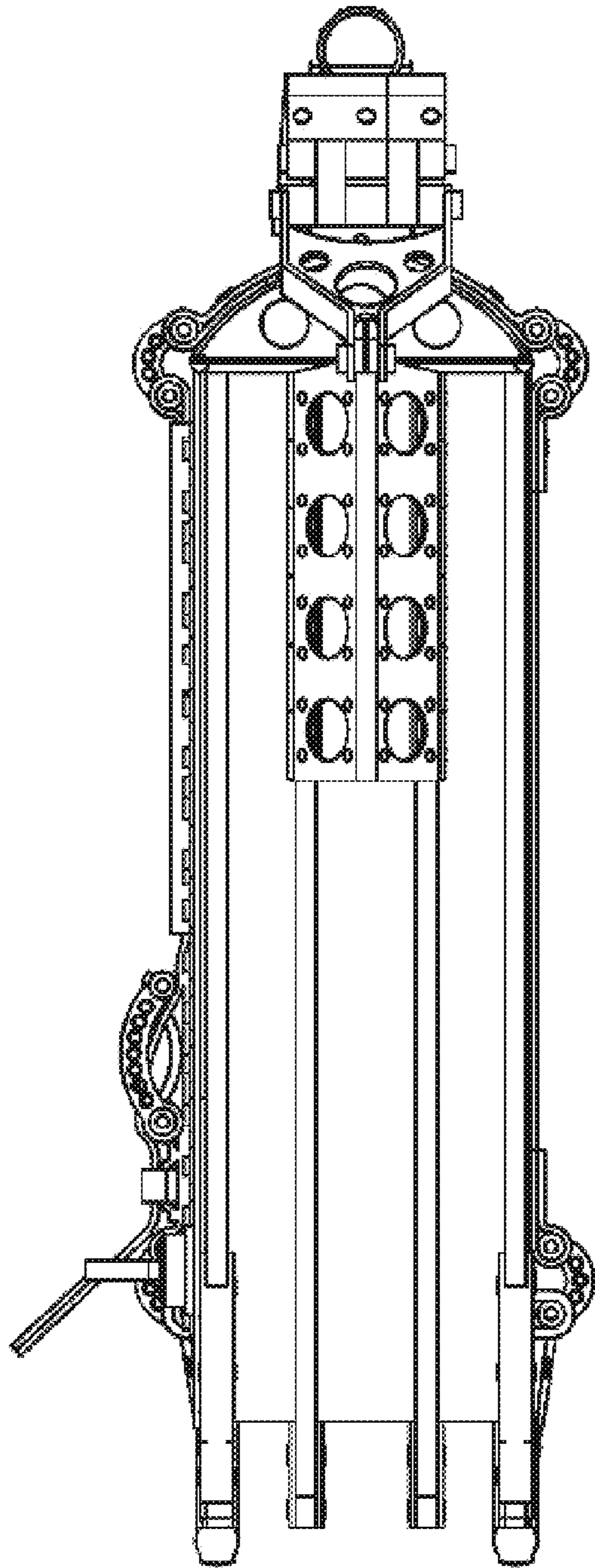
*Fig. 4*



*Fig. 5*



*Fig. 6*



*Fig. 7*