



(12) **United States Design Patent**
Fux

(10) **Patent No.:** **US D690,510 S**
(45) **Date of Patent:** **** Oct. 1, 2013**

(54) **CONTAINER**

(71) Applicant: **Michael Fux**, Monmouth Beach, NJ
(US)

(72) Inventor: **Michael Fux**, Monmouth Beach, NJ
(US)

(73) Assignee: **Comfort Revolution, LLC**, West Long
Branch, NJ (US)

(**) Term: **14 Years**

(21) Appl. No.: **29/433,971**

(22) Filed: **Oct. 8, 2012**

(51) **LOC (9) Cl.** **03-01**

(52) **U.S. Cl.**
USPC **D3/270; D3/273**

(58) **Field of Classification Search**
USPC D3/270, 271.1, 271.12, 273, 276,
D3/279, 281, 283, 289, 291, 301; 190/18 A,
190/100-127; 206/278, 286-287.1
See application file for complete search history.

(56) **References Cited**

U.S. PATENT DOCUMENTS

D351,726 S *	10/1994	Lin	D3/276
D438,005 S *	2/2001	Tiramani et al.	D3/279
D444,946 S *	7/2001	Klamm	D3/279
D462,169 S *	9/2002	Giovanni	D3/279

D465,085 S *	11/2002	Chen	D3/279
D644,436 S *	9/2011	Buller	D3/279
D675,016 S *	1/2013	Van Overbeke	D3/273
D675,017 S *	1/2013	Van Overbeke	D3/273
2009/0101460 A1 *	4/2009	Justham et al.	190/16
2009/0145710 A1 *	6/2009	Roncato	190/103

* cited by examiner

Primary Examiner — Cynthia Ramirez

(74) *Attorney, Agent, or Firm* — Doherty & Charney LLC

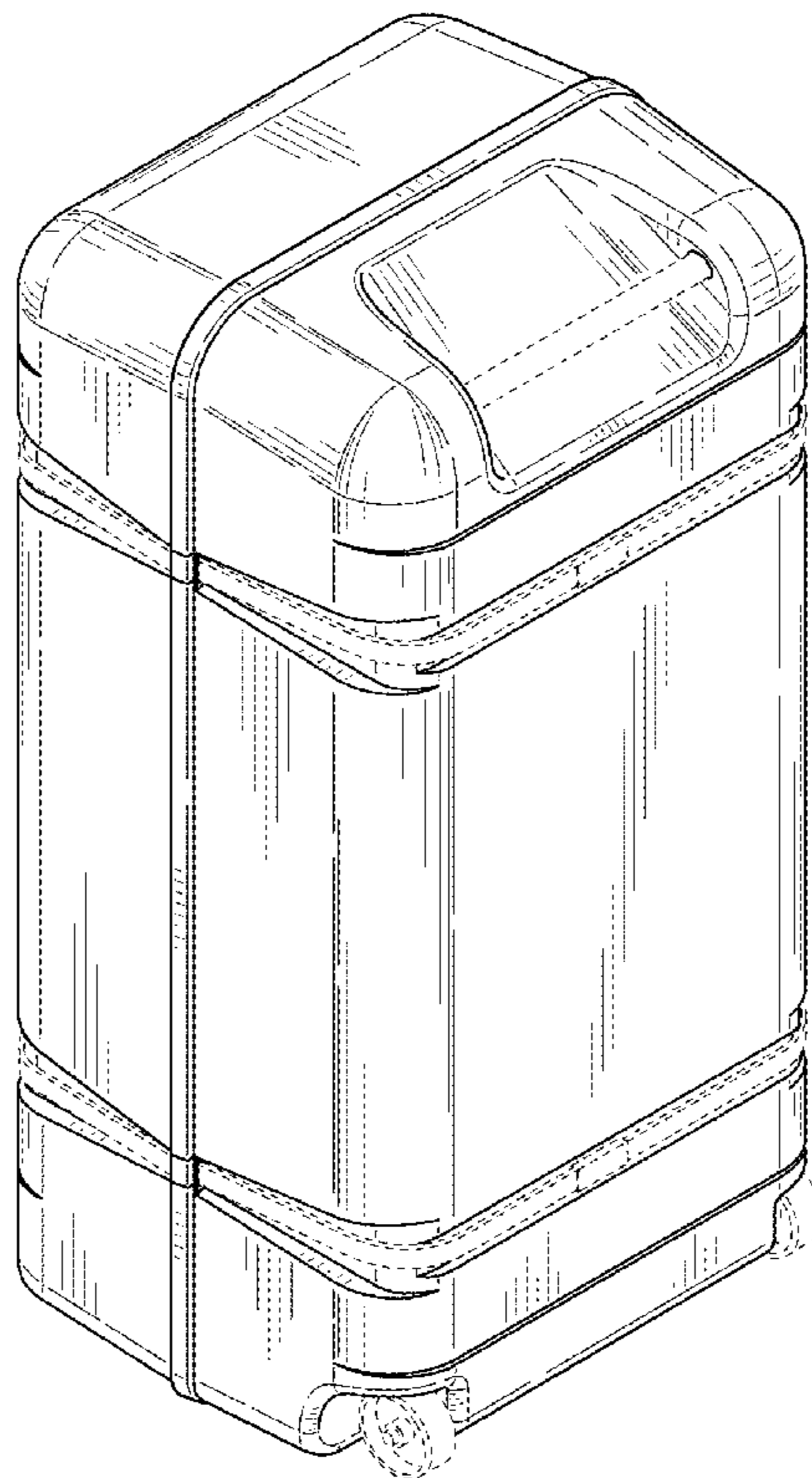
(57) **CLAIM**

The ornamental design for a container, as shown and described.

DESCRIPTION

FIG. 1 is a perspective view of a container, showing my new design;
FIG. 2 is a front elevation view of the container shown in FIG. 1;
FIG. 3 is a rear elevation view of the container shown in FIG. 1;
FIG. 4 is a right side view of the container shown in FIG. 1;
FIG. 5 is a left side view of the container shown in FIG. 1;
FIG. 6 is a top plan view of the container shown in FIG. 1; and,
FIG. 7 is a bottom plan view of the container shown in FIG. 1.
The broken line showing of elements in the figures is included for the purpose of illustrating portions of the container and forms no part of the claimed design.

1 Claim, 5 Drawing Sheets



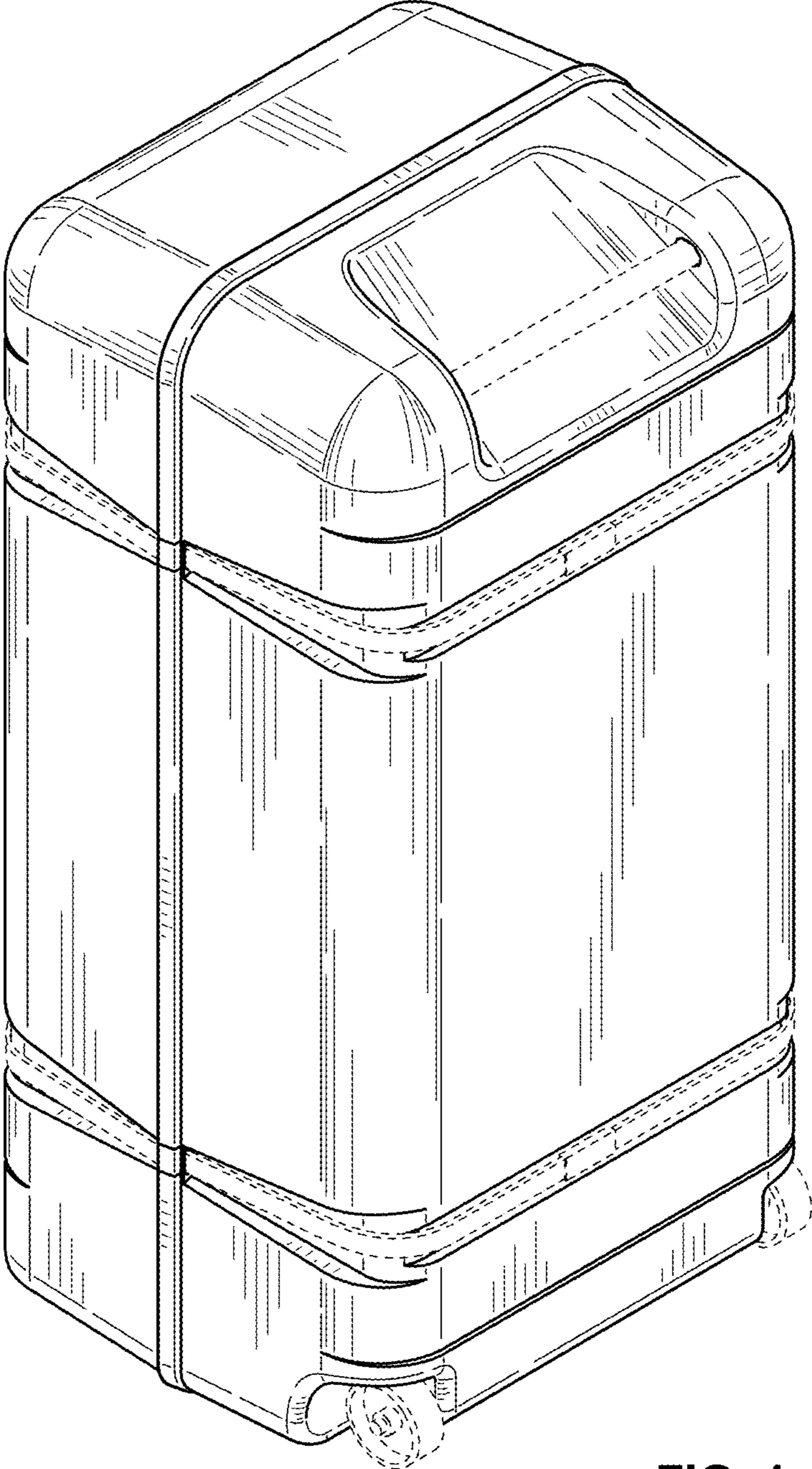


FIG. 1

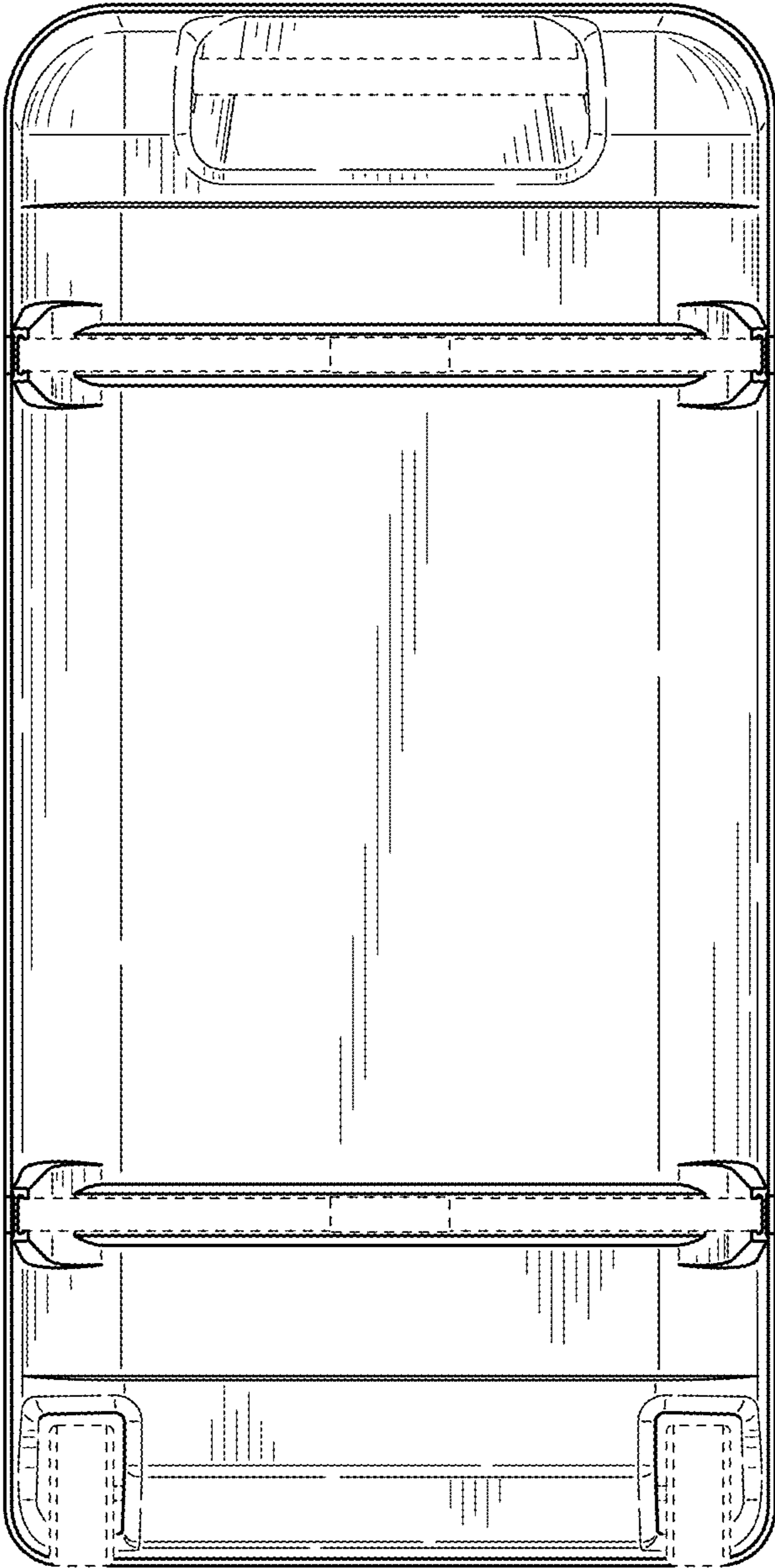


FIG. 2

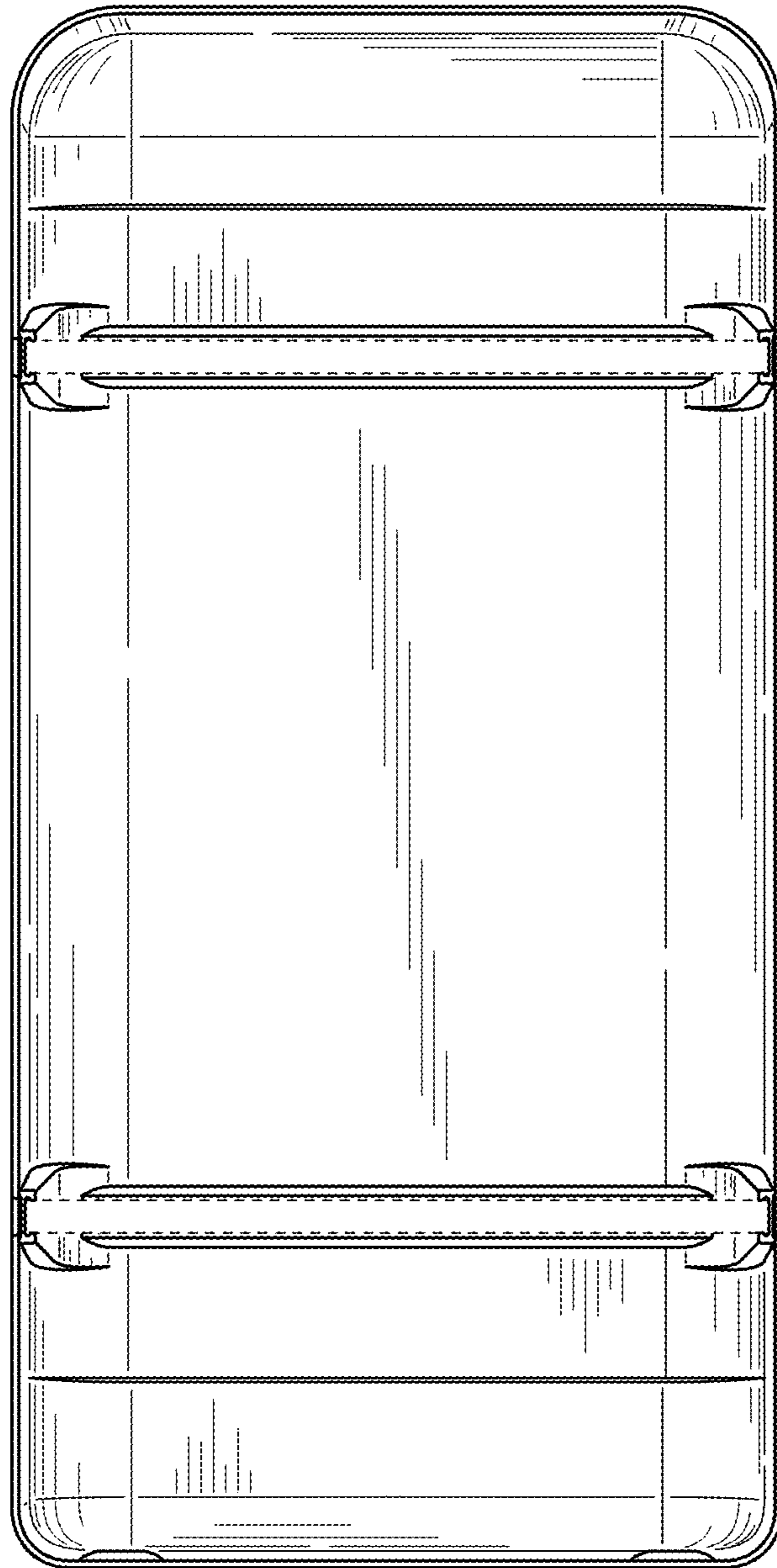


FIG. 3

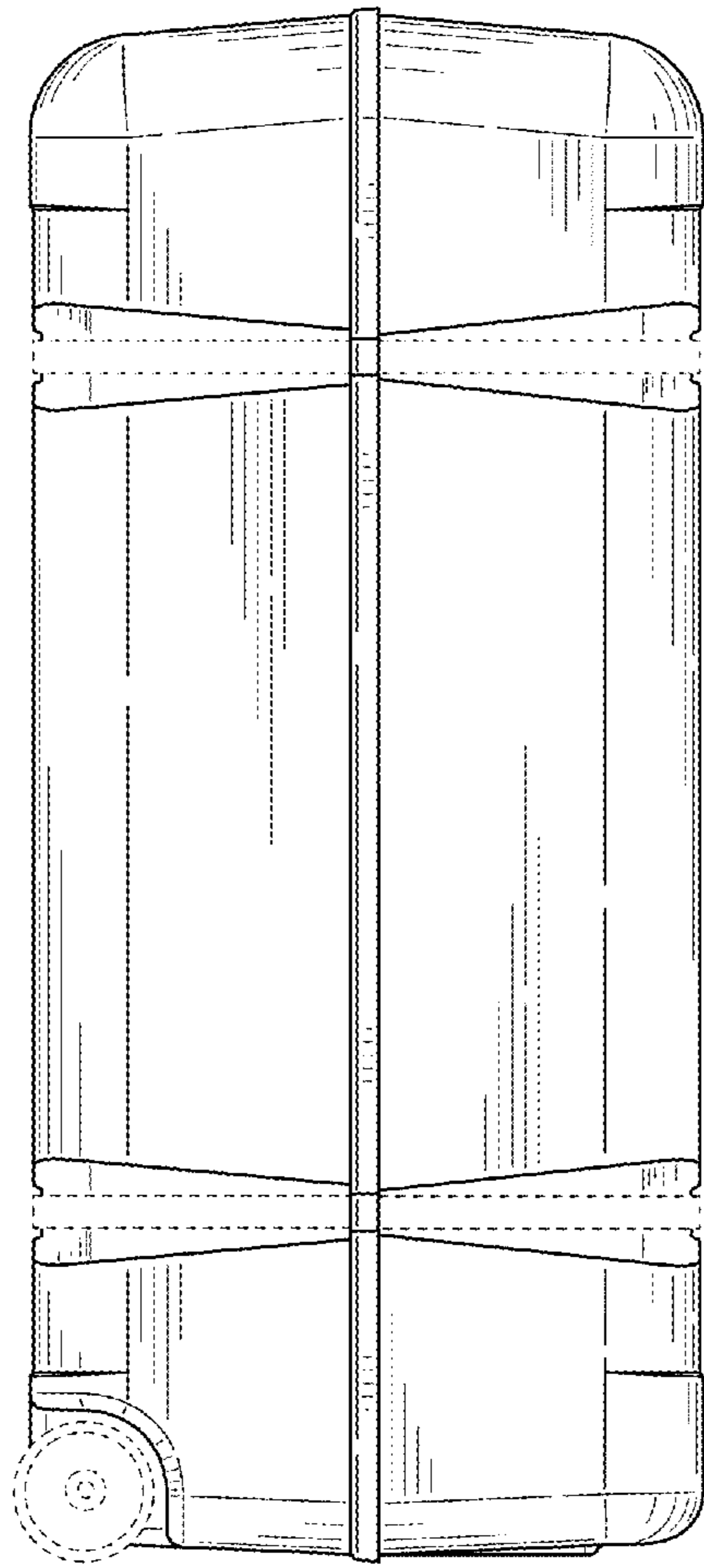


FIG. 4

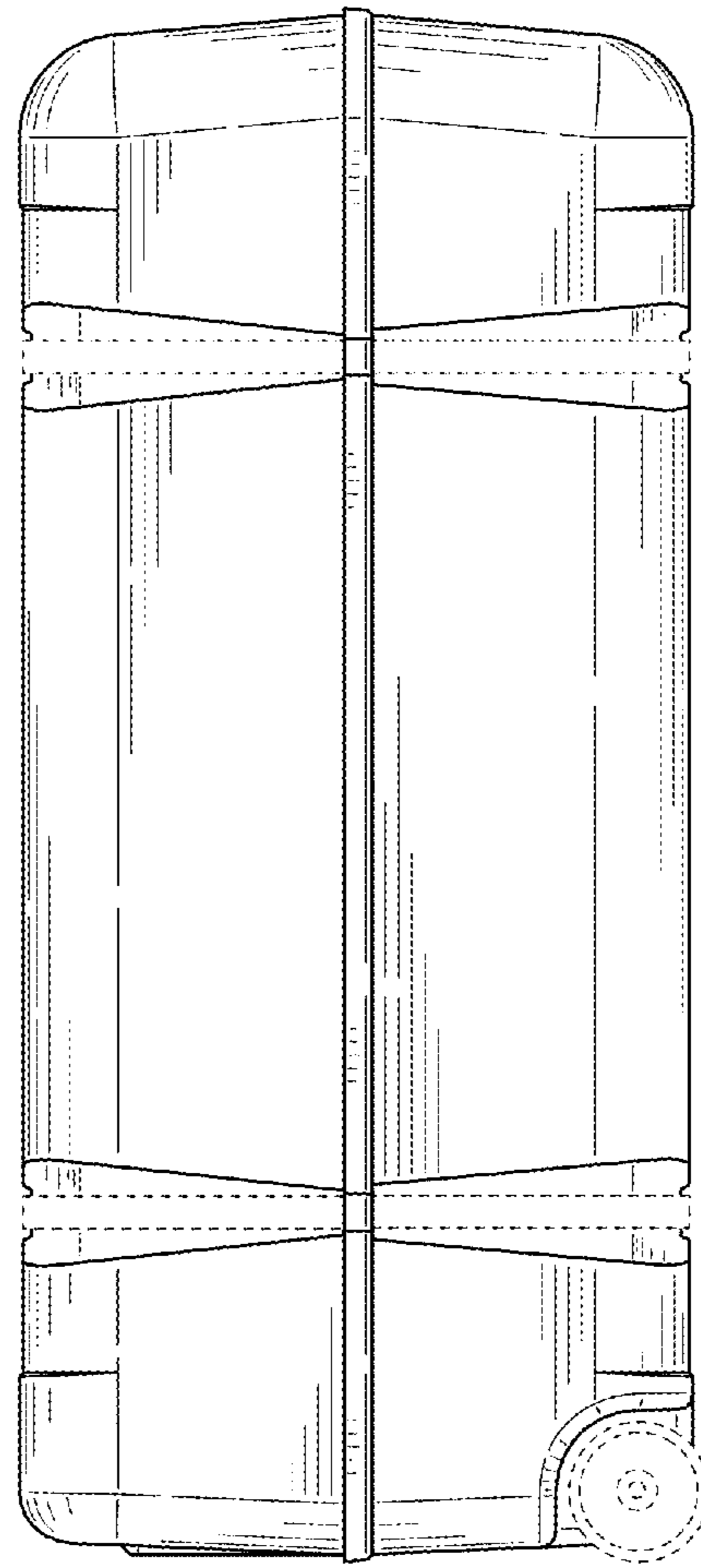


FIG. 5

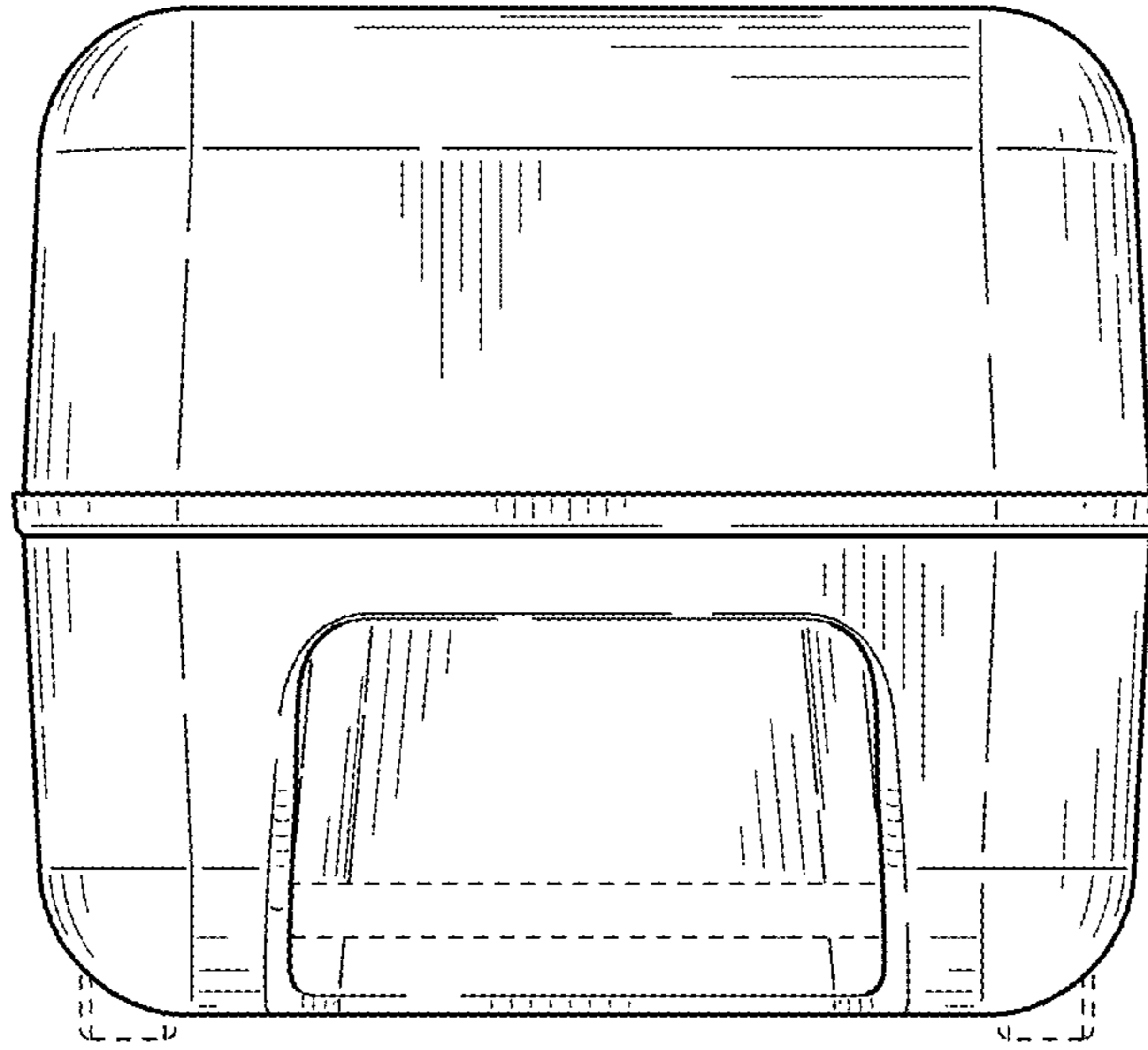


FIG. 6

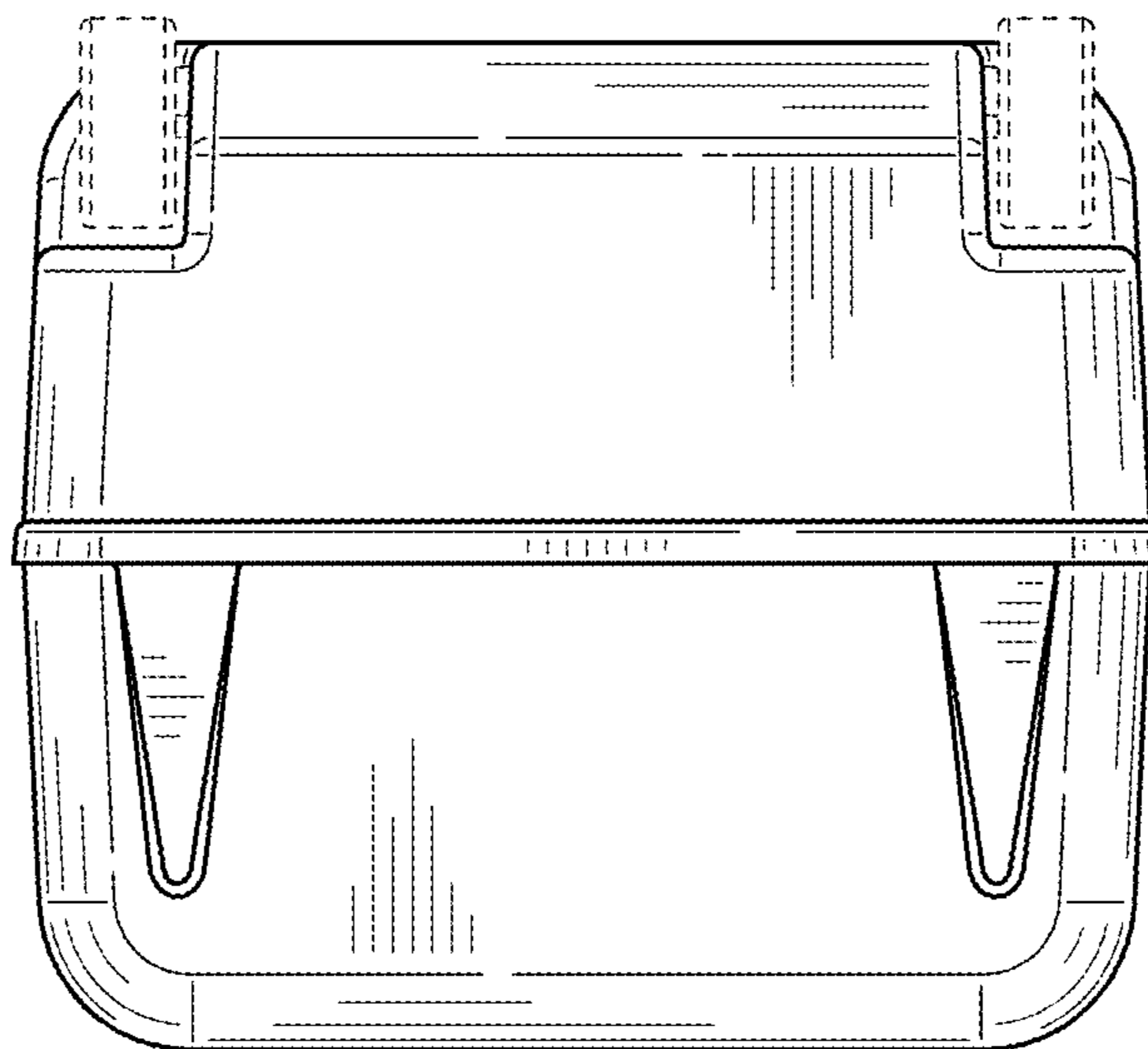


FIG. 7