



US00D690509S

(12) **United States Design Patent**
Guichot

(10) **Patent No.:** **US D690,509 S**
(45) **Date of Patent:** **** Oct. 1, 2013**

(54) **HANDBAG**

(75) Inventor: **Isabelle Guichot**, Paris (FR)

(73) Assignee: **Belenciaga**, Paris (FR)

(**) Term: **14 Years**

(21) Appl. No.: **29/423,092**

(22) Filed: **May 29, 2012**

(30) **Foreign Application Priority Data**

Nov. 29, 2011 (EM) 001954645-0001

(51) **LOC (9) Cl.** **03-01**

(52) **U.S. Cl.**
USPC **D3/246**

(58) **Field of Classification Search**
USPC D3/232-233, 240-243, 245-246;
150/100, 103-110, 113-114, 117-119
See application file for complete search history.

(56) **References Cited**

U.S. PATENT DOCUMENTS

D442,778 S *	5/2001	Guyon	D3/246
D543,027 S *	5/2007	Wang	D3/246
D560,909 S *	2/2008	Gerbi	D3/246
D587,451 S *	3/2009	Guichot	D3/246
D624,750 S *	10/2010	Della Valle et al.	D3/232

OTHER PUBLICATIONS

U.S. Appl. No. 29/423,110, filed May 29, 2012, First Named Inventor: Isabelle Guichot.

* cited by examiner

Primary Examiner — Holly Baynham

(74) *Attorney, Agent, or Firm* — Donald J. Ranft; Collen IP

(57) **CLAIM**

The ornamental design for a handbag, as shown and described.

DESCRIPTION

FIG. 1 is a front left perspective view of a handbag showing our new design;

FIG. 2 is a bottom rear perspective view thereof;

FIG. 3 is a top left side perspective view thereof;

FIG. 4 is a top rear perspective view thereof;

FIG. 5 is a top view thereof;

FIG. 6 is a bottom view thereof;

FIG. 7 is a right side view thereof;

FIG. 8 is a left side view thereof;

FIG. 9 is a front view thereof; and,

FIG. 10 is a rear view thereof.

The broken lines representing stitching are part of the claimed design.

1 Claim, 9 Drawing Sheets





FIG. 1

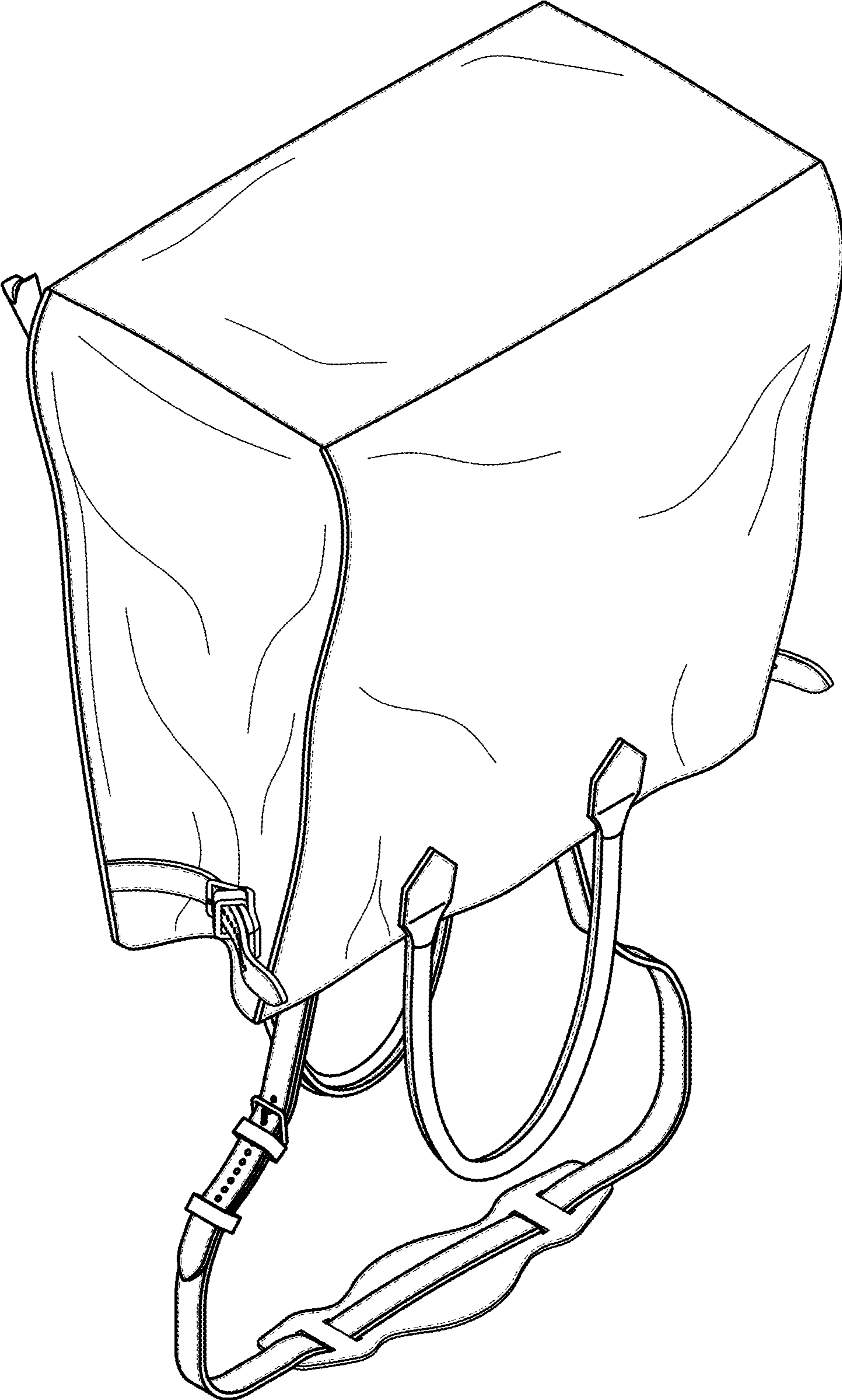


FIG. 2

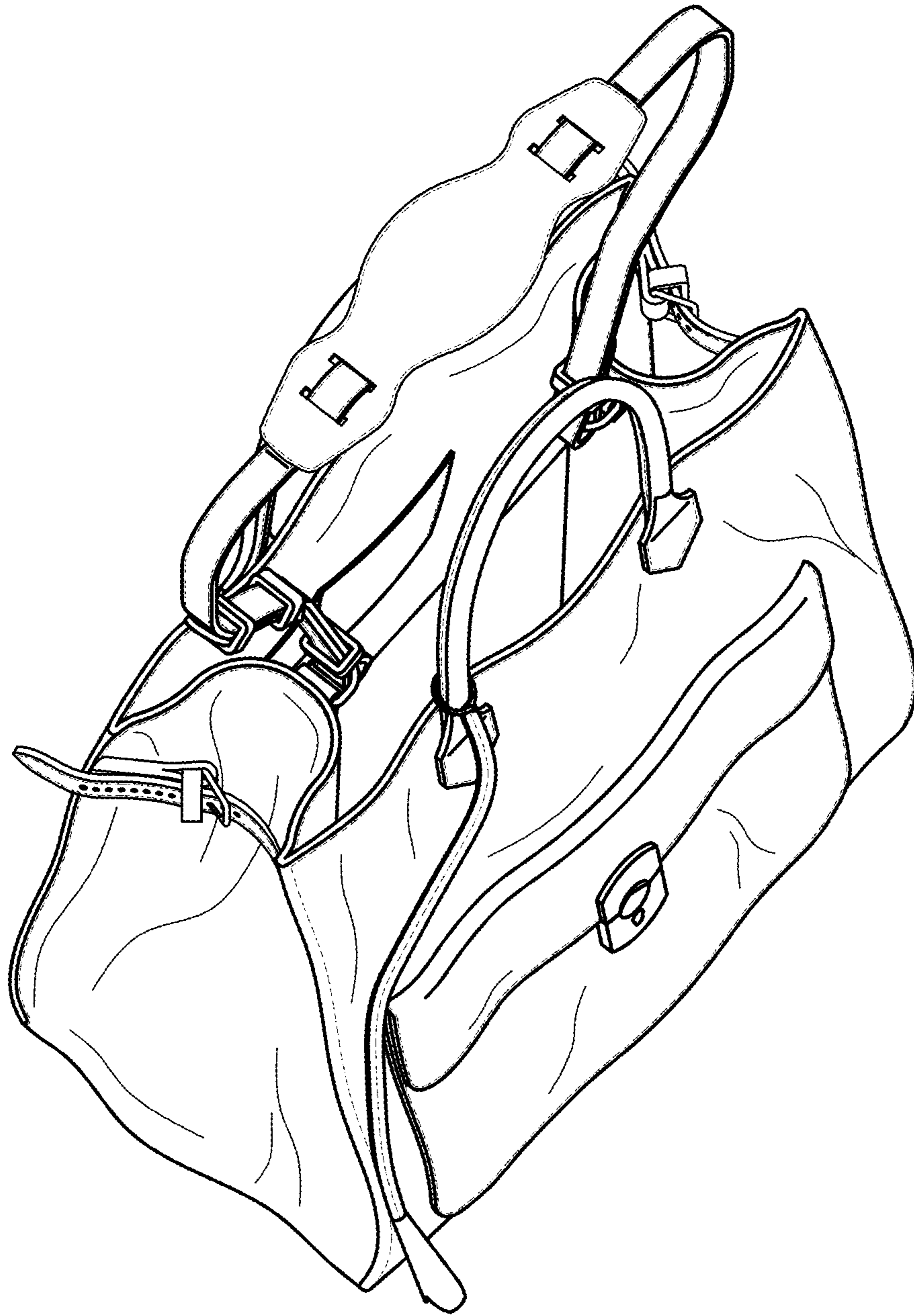


FIG. 3

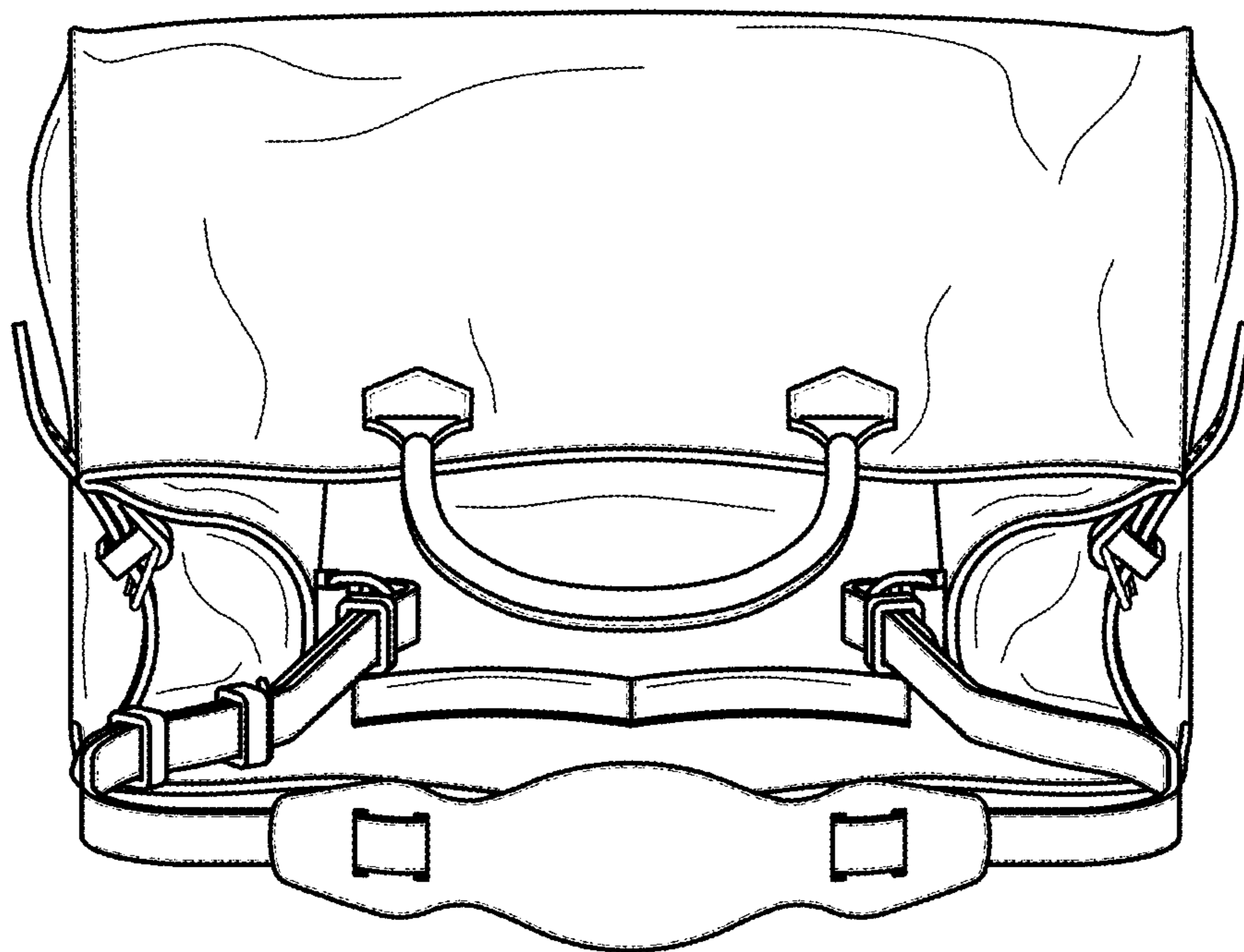


FIG. 4

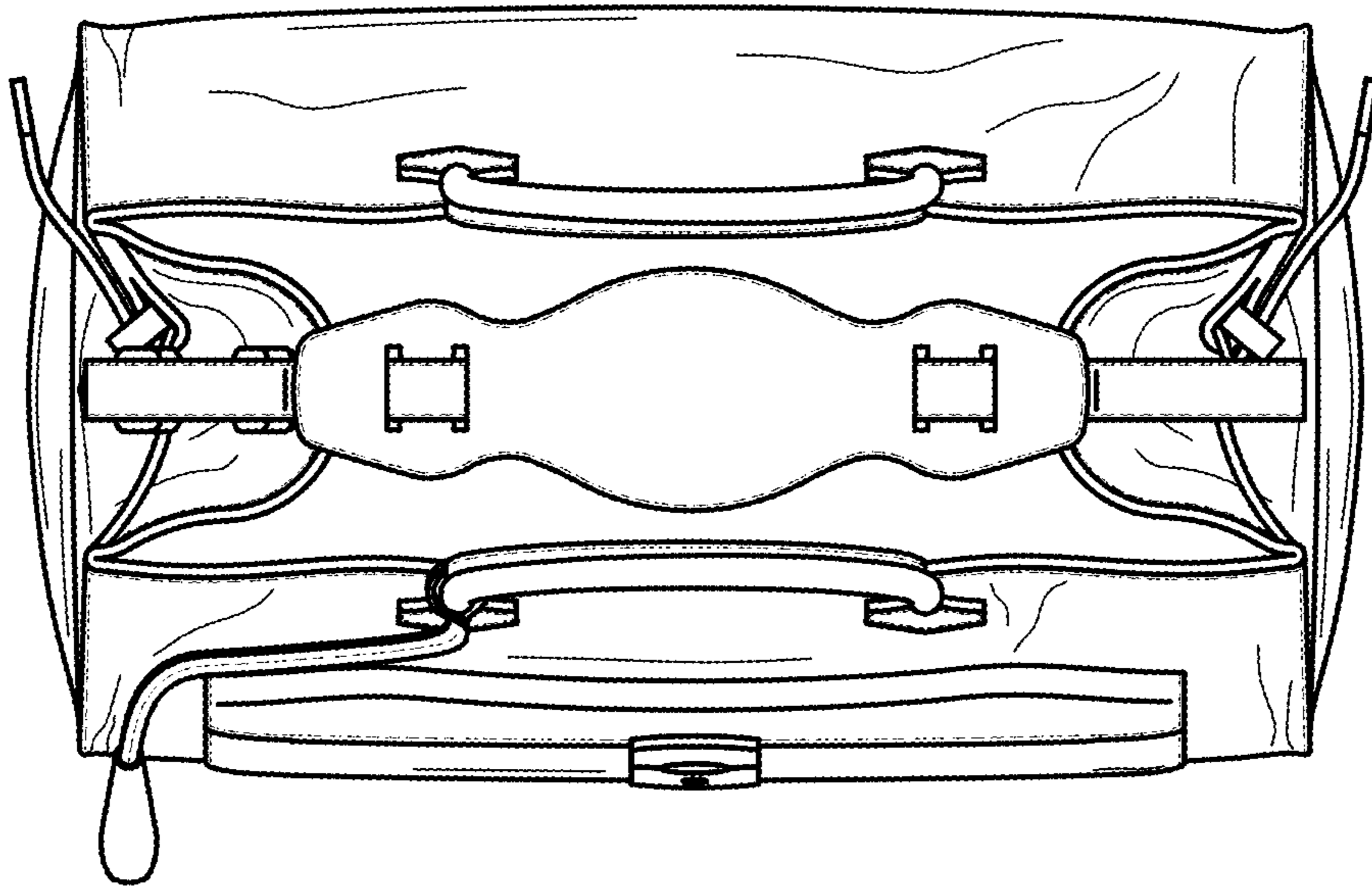


FIG. 5

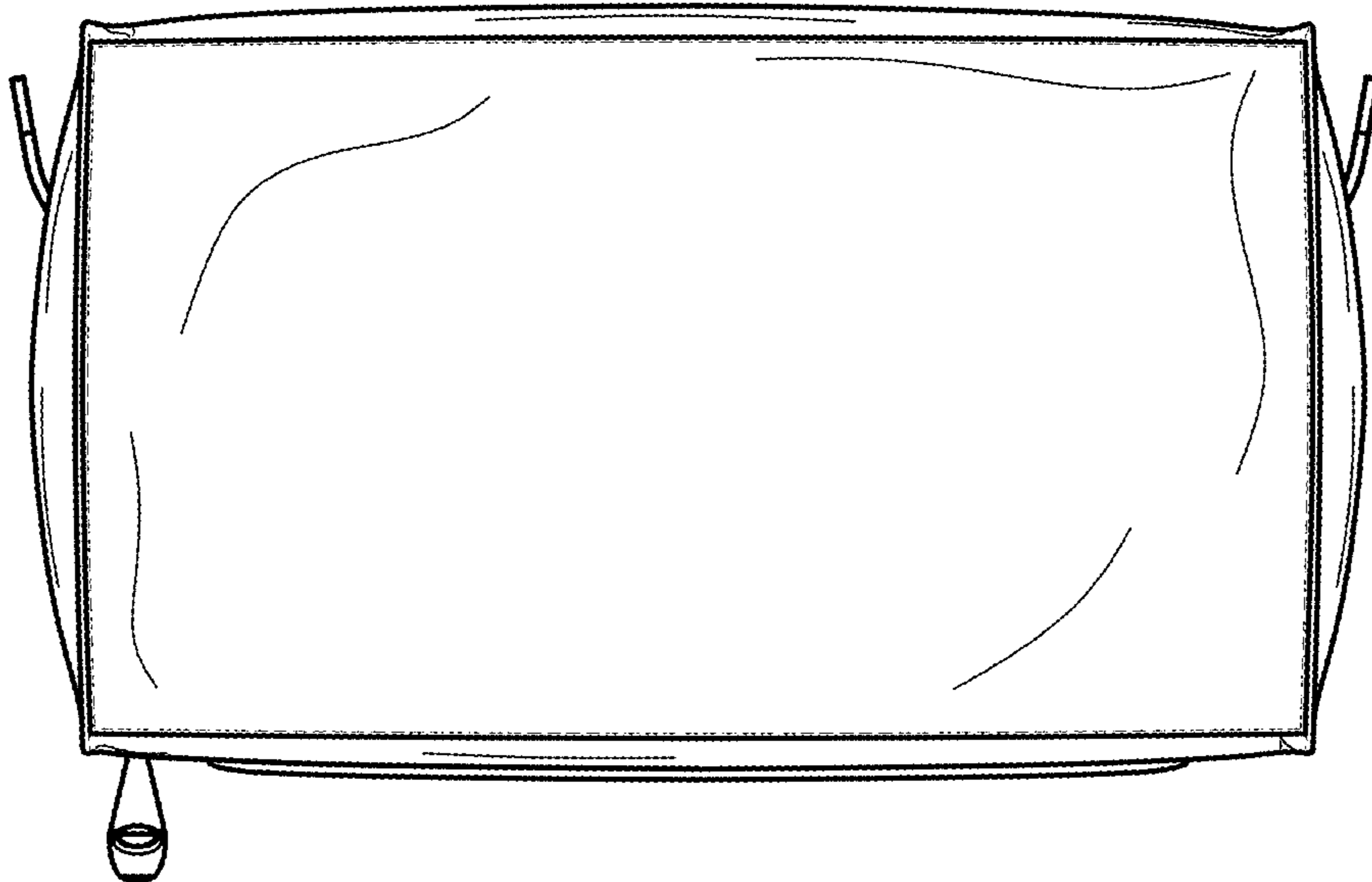


FIG. 6

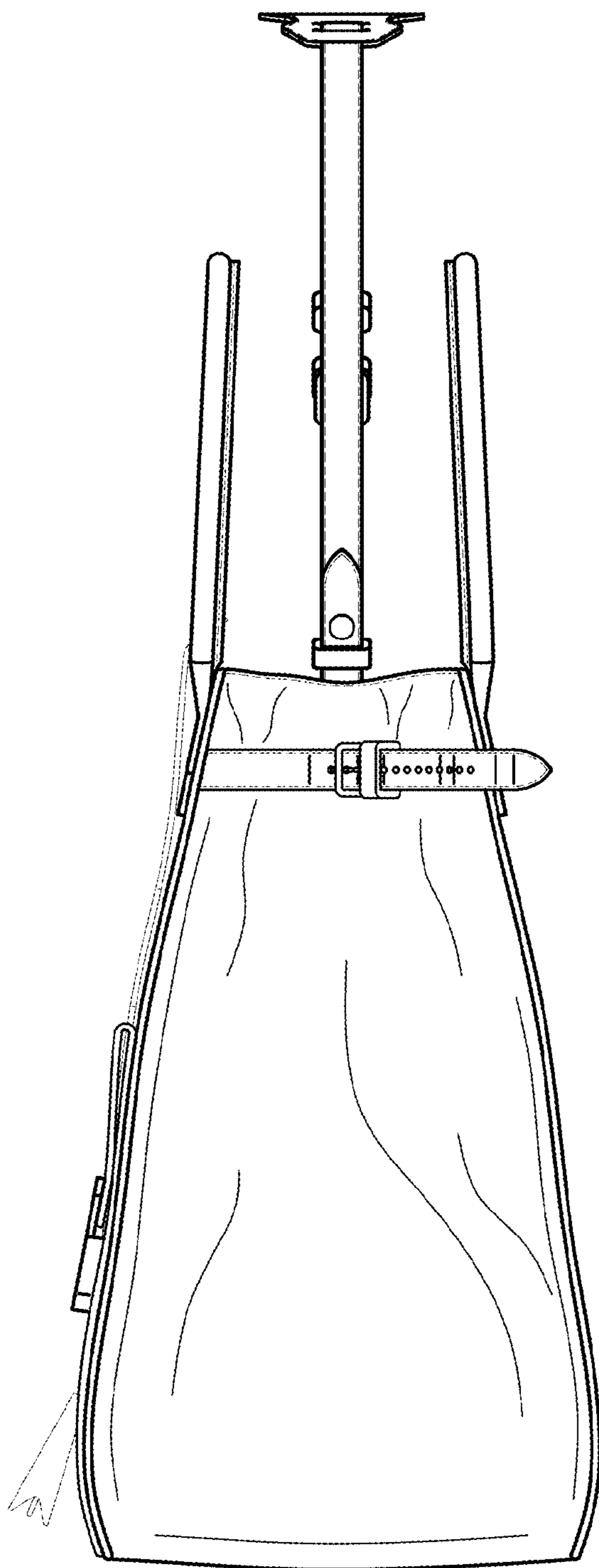


FIG. 7

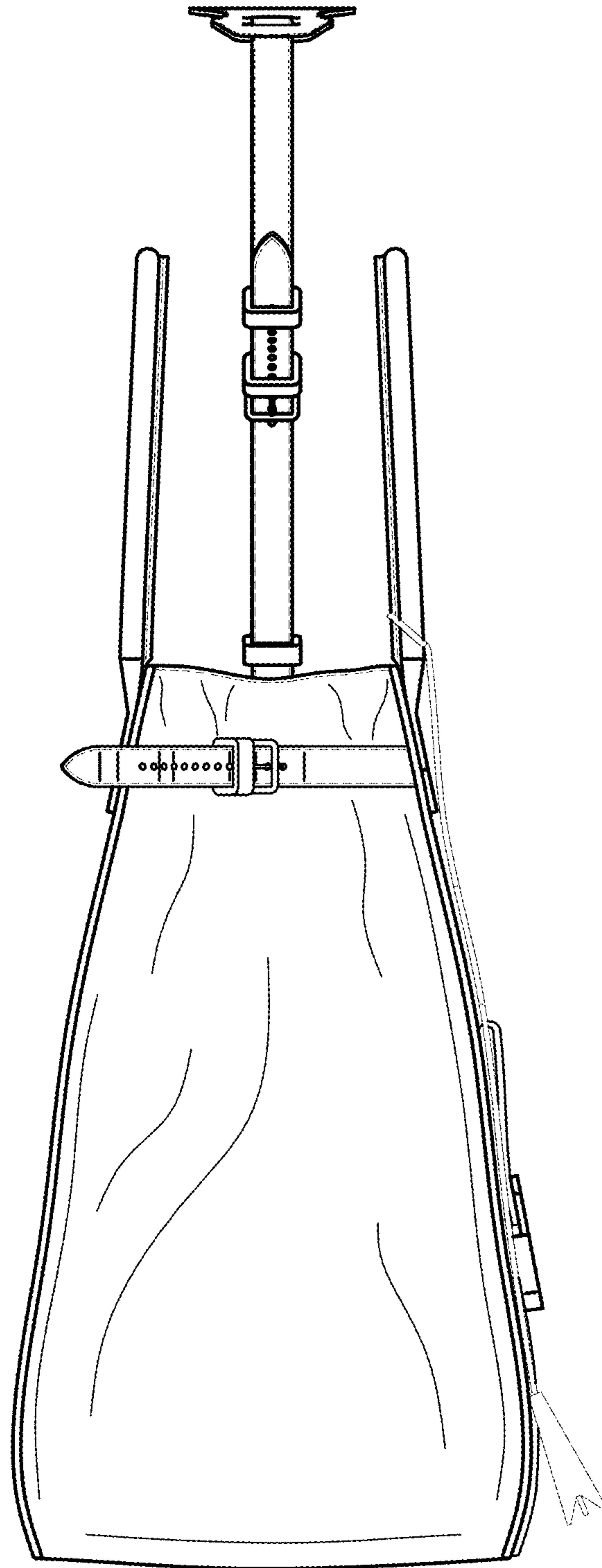


FIG. 8

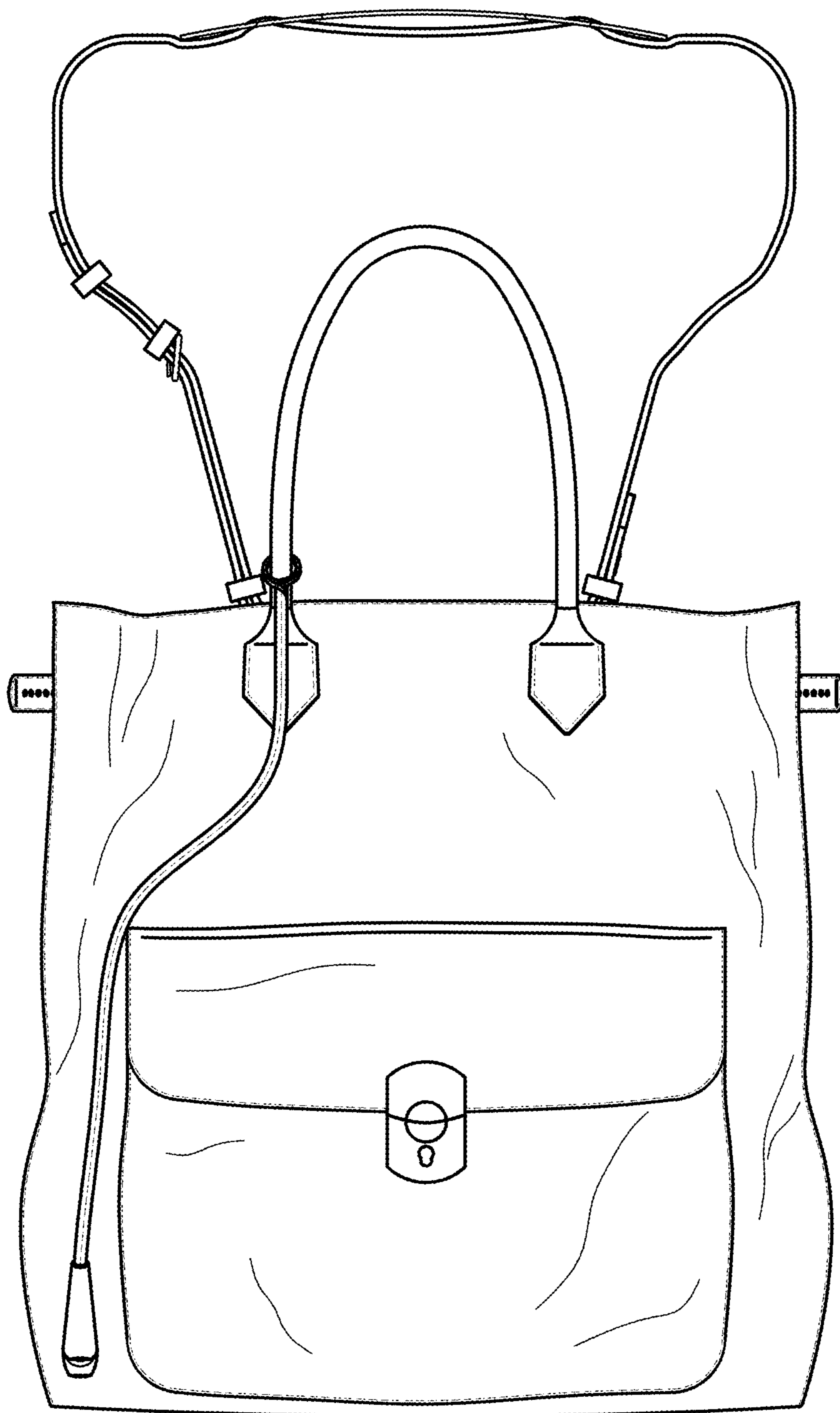


FIG. 9



FIG. 10