



US00D690507S

(12) **United States Design Patent**
Hall

(10) **Patent No.:** **US D690,507 S**

(45) **Date of Patent:** **** Oct. 1, 2013**

(54) **MULTI-COMPARTMENT CHILD CARE BAG WITH A PLURALITY OF INDICIA CONTAINING POCKETS**

2005/0150809 A1 7/2005 Pile
2007/0102078 A1 5/2007 Shimp

* cited by examiner

(76) Inventor: **Tera R. Hall**, Orlando, FL (US)

Primary Examiner — Holly Baynham

(**) Term: **14 Years**

(57) **CLAIM**

The ornamental design for a multi-compartment child care bag with a plurality of indicia containing pockets, as shown and described.

(21) Appl. No.: **29/431,230**

(22) Filed: **Sep. 5, 2012**

DESCRIPTION

(51) **LOC (9) Cl.** **03-01**

(52) **U.S. Cl.**
USPC **D3/232**

(58) **Field of Classification Search**
USPC D3/232–233, 240–246
See application file for complete search history.

FIG. 1 is a perspective view of a multi-compartment child care bag with a plurality of indicia containing pockets showing my new design;

FIG. 2 is a front view thereof;

FIG. 3 is a back view thereof;

FIG. 4 is a side view thereof;

FIG. 5 is an opposite side view thereof;

FIG. 6 is a top view thereof;

FIG. 7 is a bottom view thereof;

FIG. 8 is a perspective view with the top cut away showing the interior thereof; and,

FIG. 9 is a close up view of the bag showing index cards for use in conjunction with the bag.

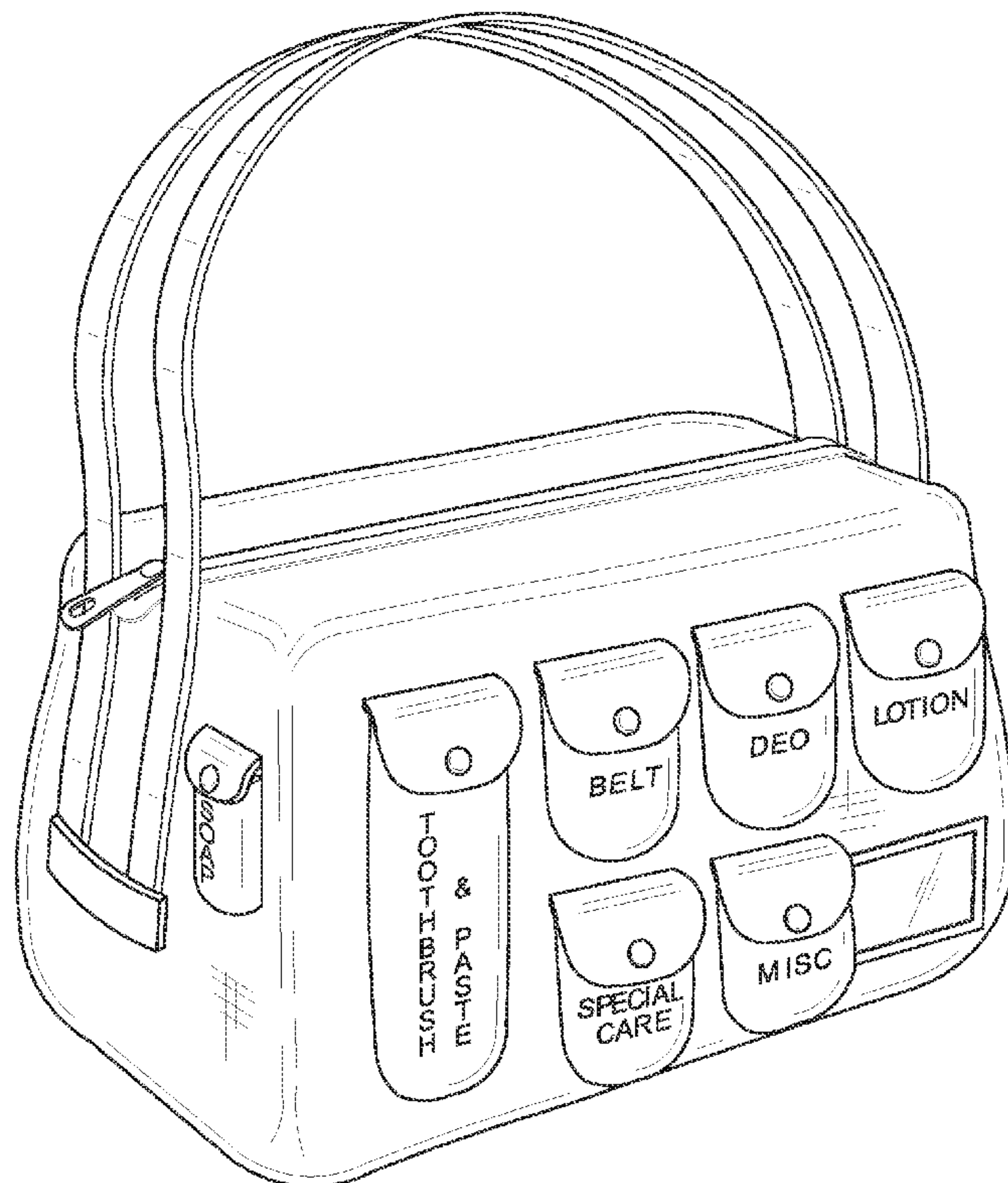
In FIG. 8 and FIG. 9, the broken lines showing the environmental structure for purposes of illustrating the multi-compartment child care bag with a plurality of indicia containing pockets in a condition of use. The broken lines and the structure they depict form no part of the claimed design.

(56) **References Cited**

U.S. PATENT DOCUMENTS

5,062,557	A	11/1991	Mahvi et al.	
5,123,467	A	6/1992	Steinberg	
D378,709	S	4/1997	Jacobs et al.	
5,676,296	A	10/1997	Masters	
5,961,216	A	10/1999	Quinn et al.	
6,619,519	B1	9/2003	Nix et al.	
D572,469	S *	7/2008	Morelli	D3/232
D575,953	S *	9/2008	Nonas	D3/232
D580,162	S *	11/2008	Crook	D3/232
D627,154	S *	11/2010	Nunziata	D3/232
2002/0050503	A1	5/2002	Spero	
2004/0188204	A1	9/2004	Wilkins-Langie et al.	

1 Claim, 6 Drawing Sheets



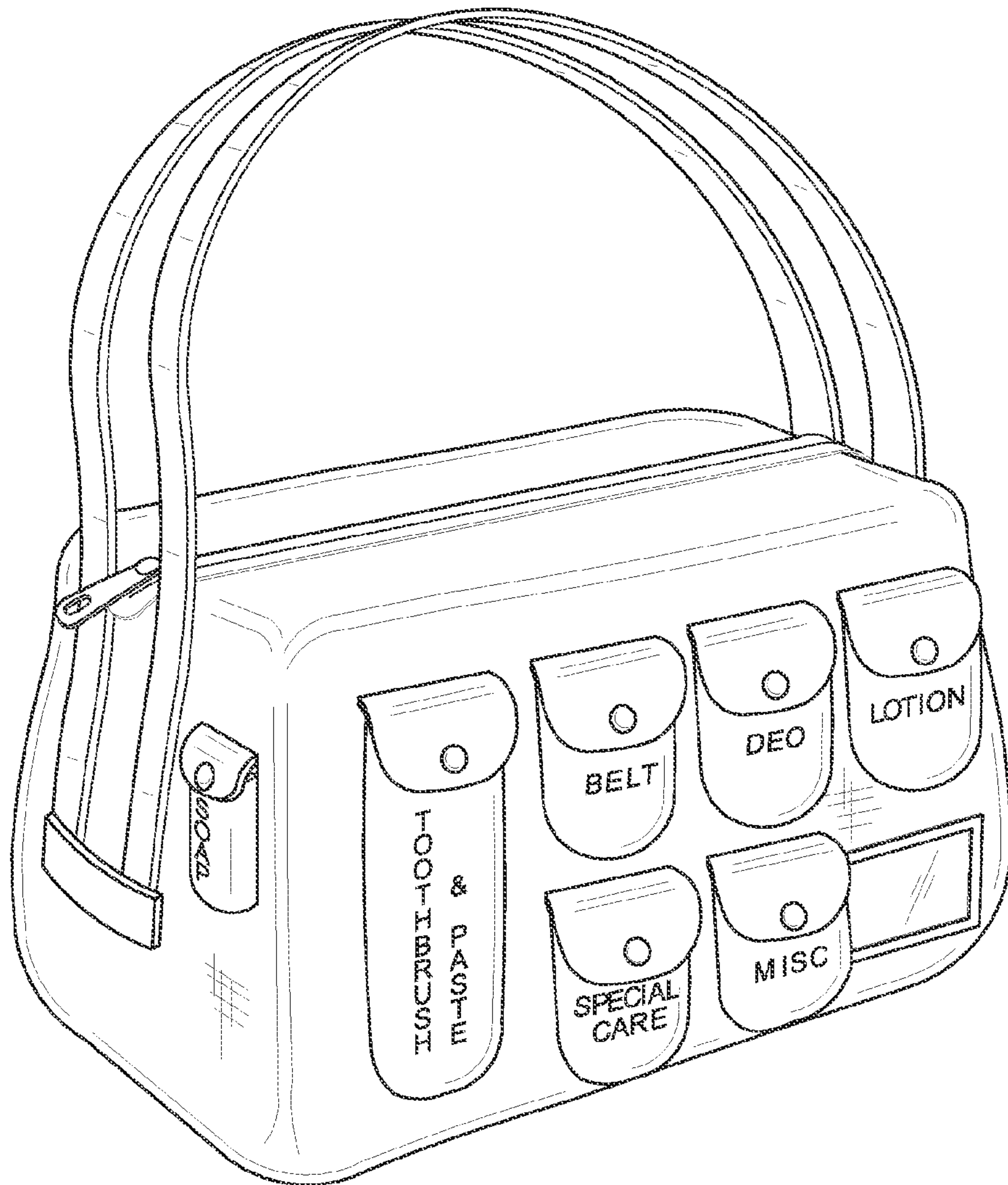


FIG. 1

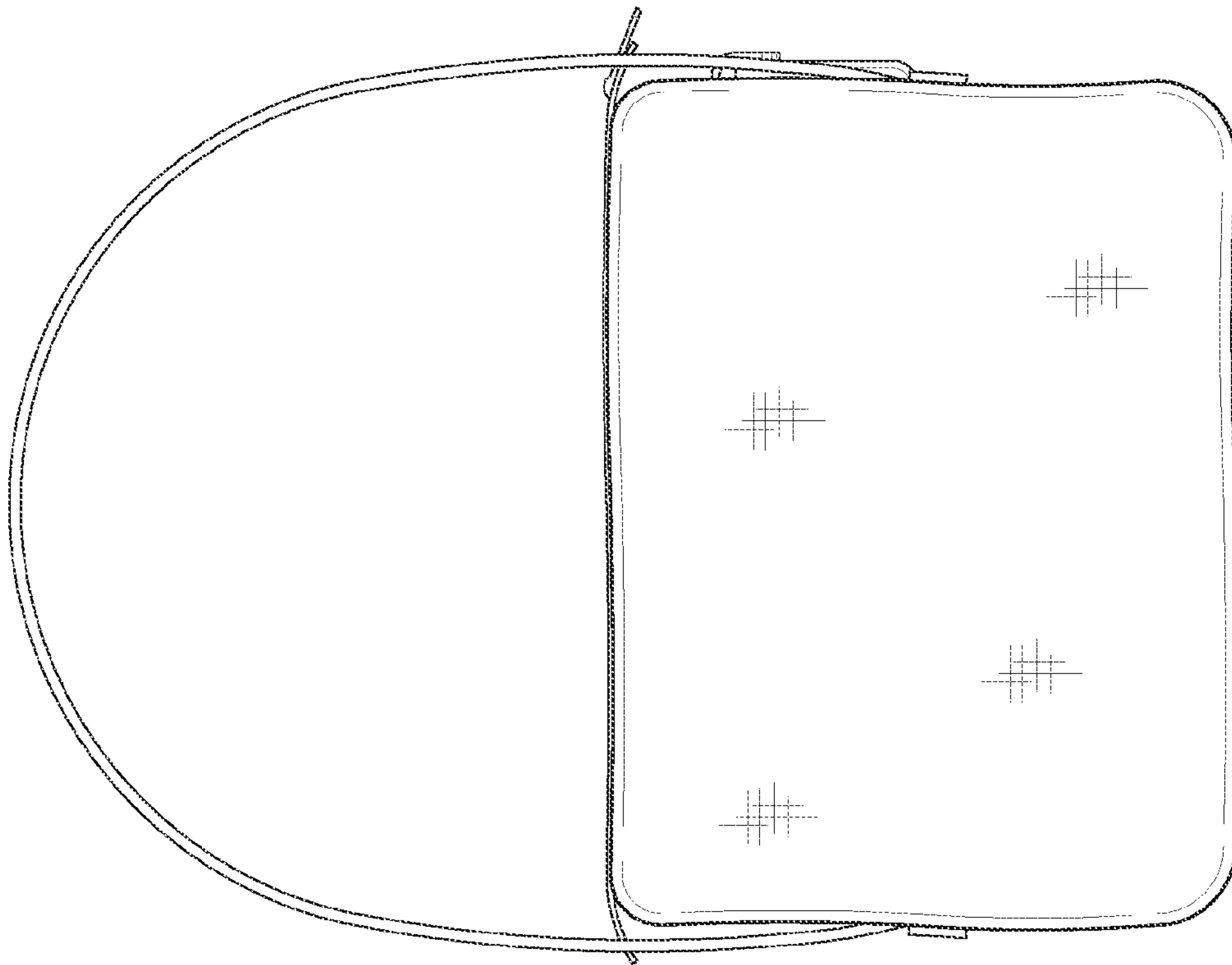


FIG. 2

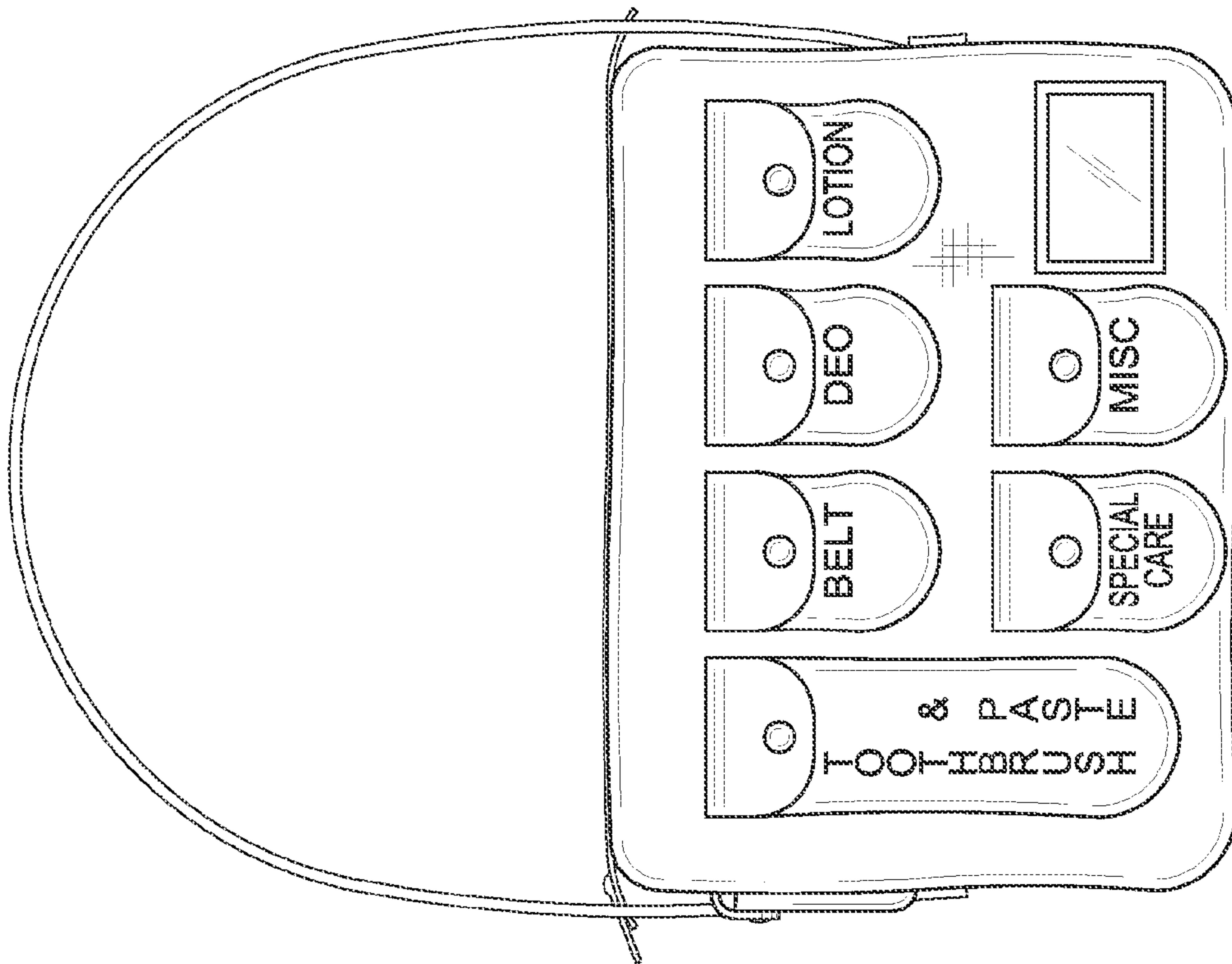


FIG. 3

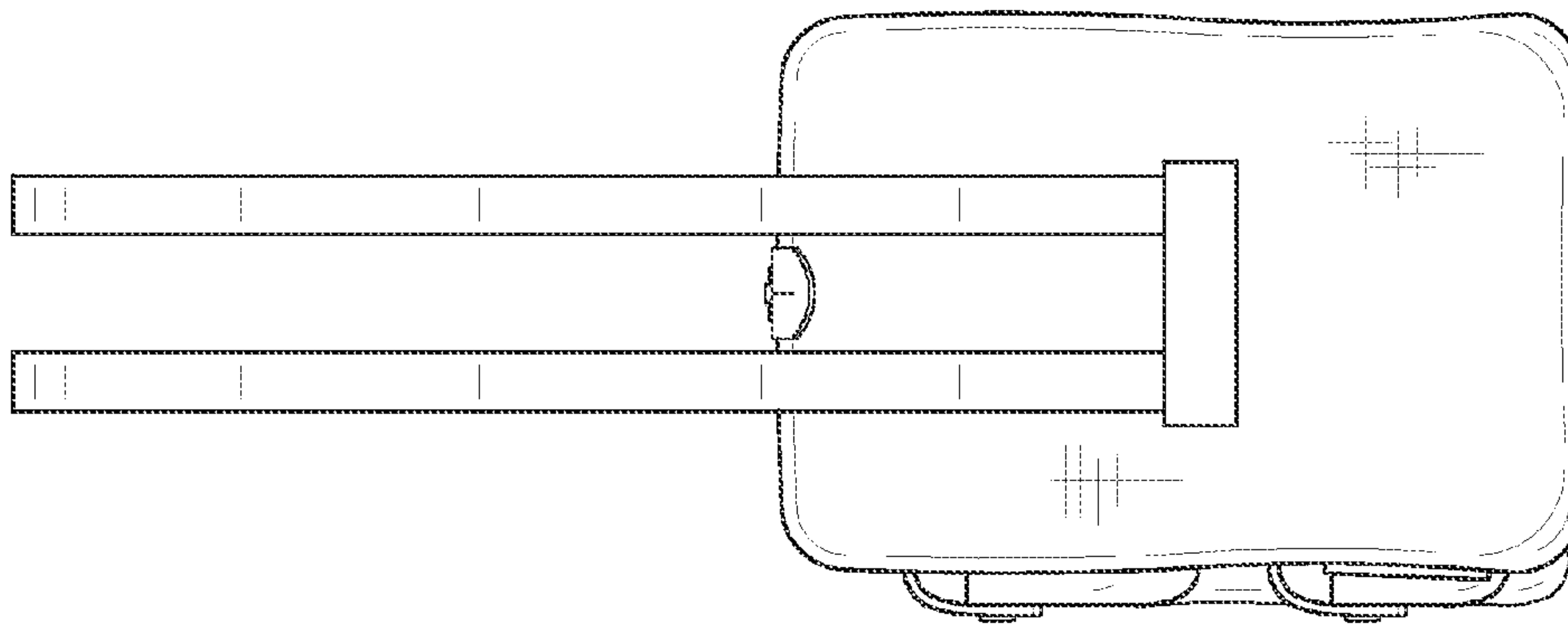


FIG. 5

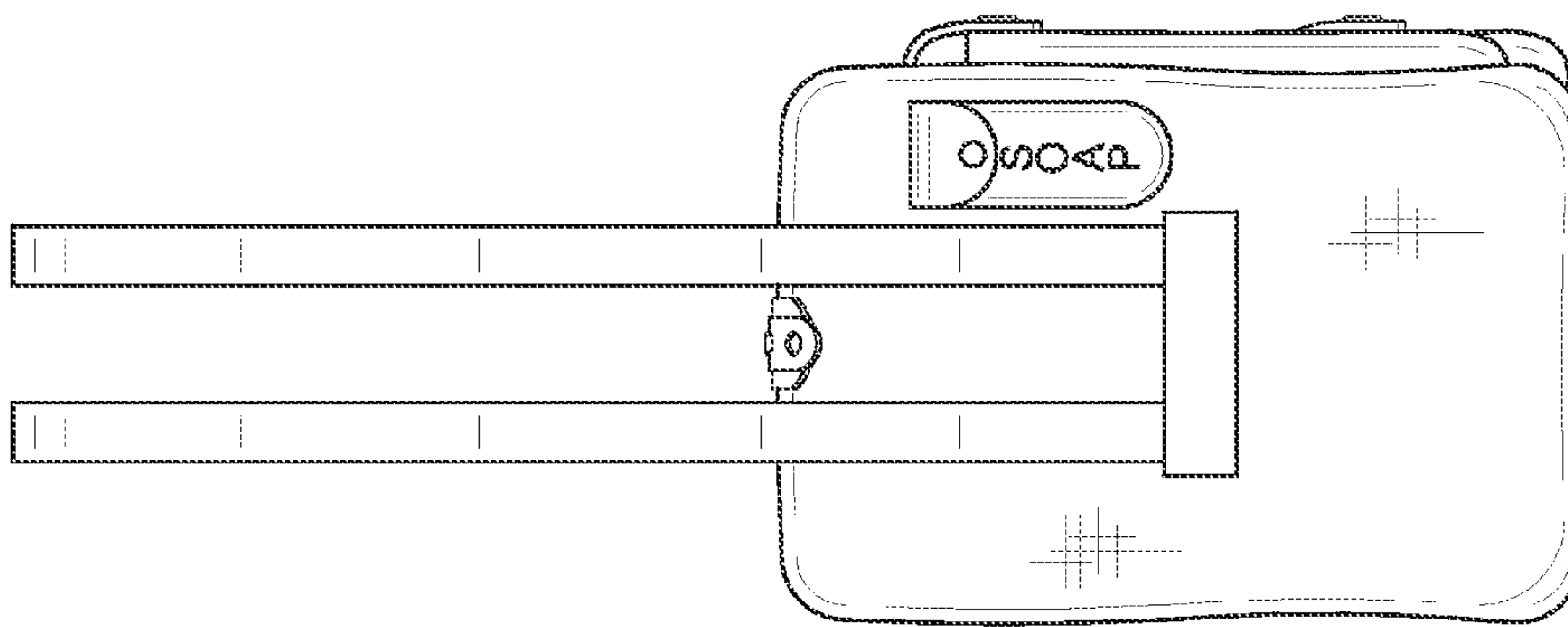


FIG. 4

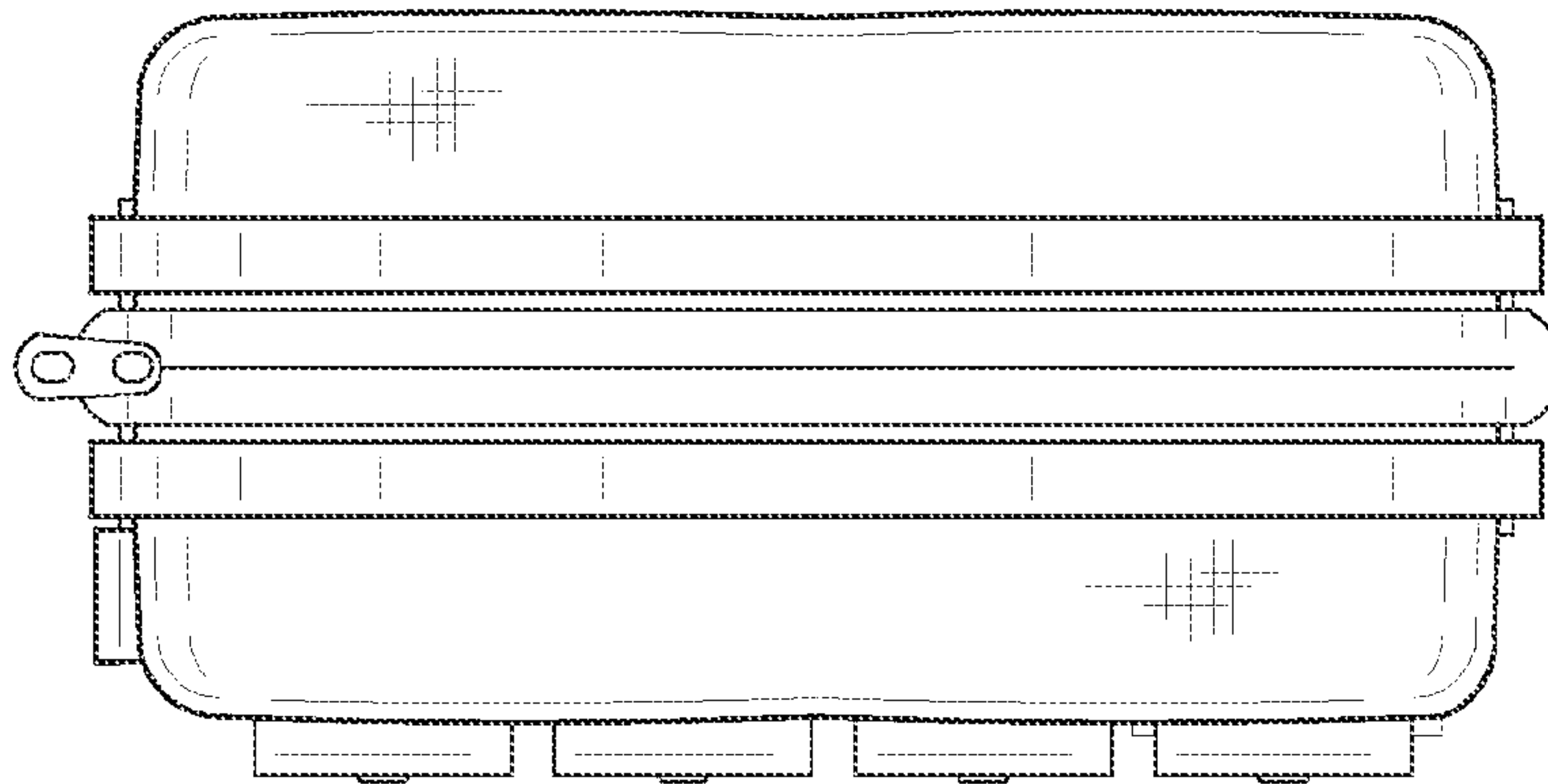


FIG. 6

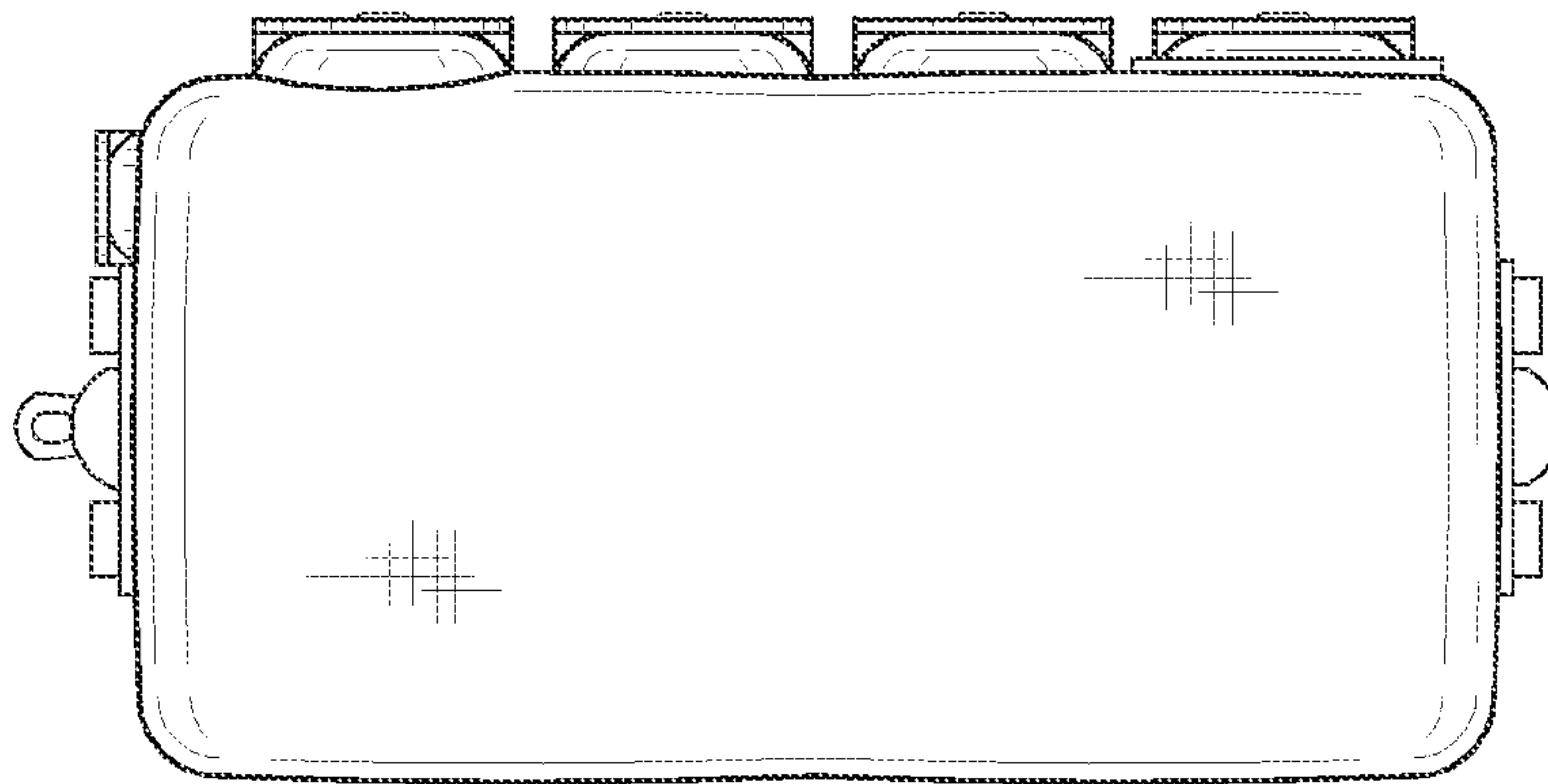


FIG. 7

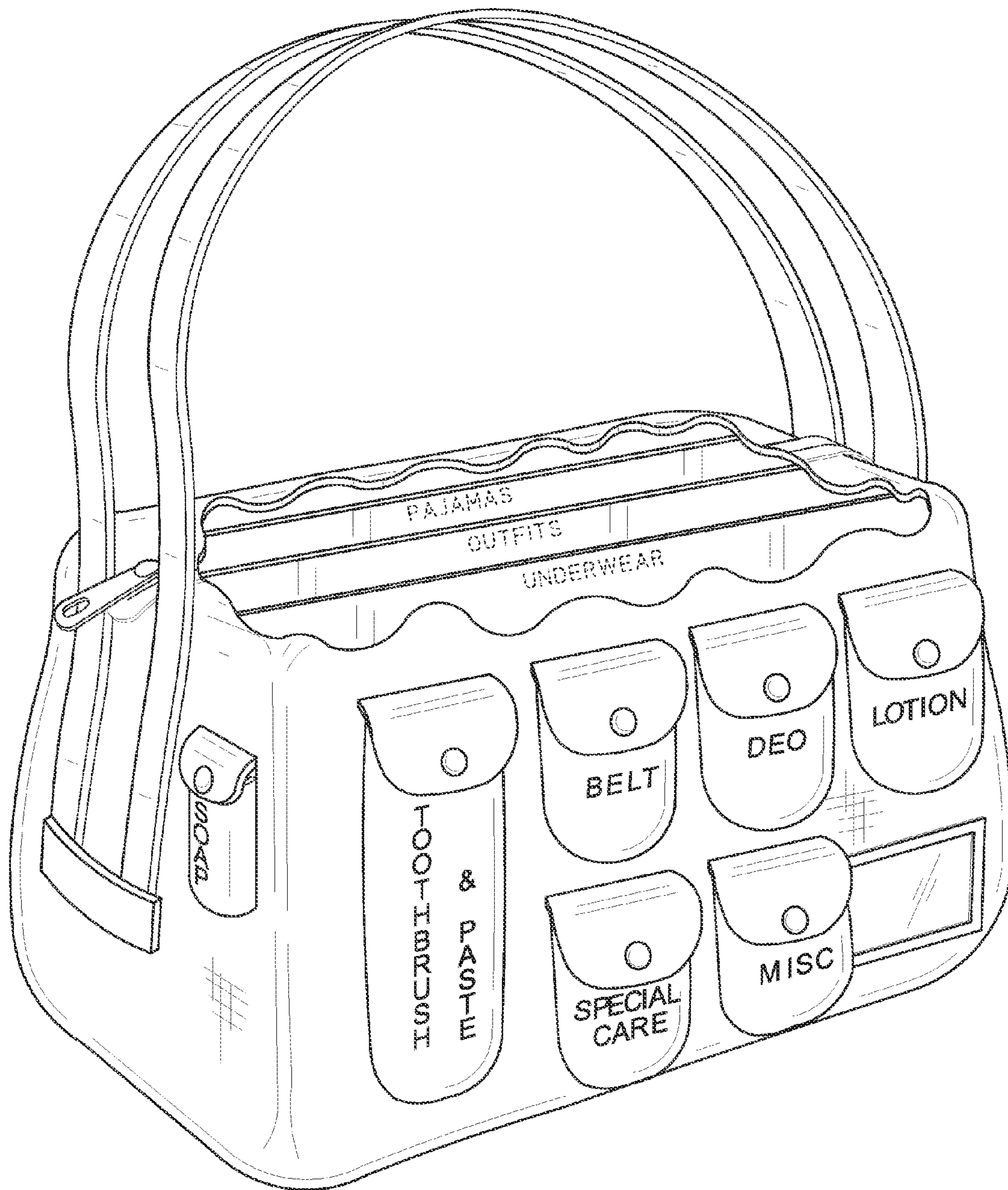


FIG. 8

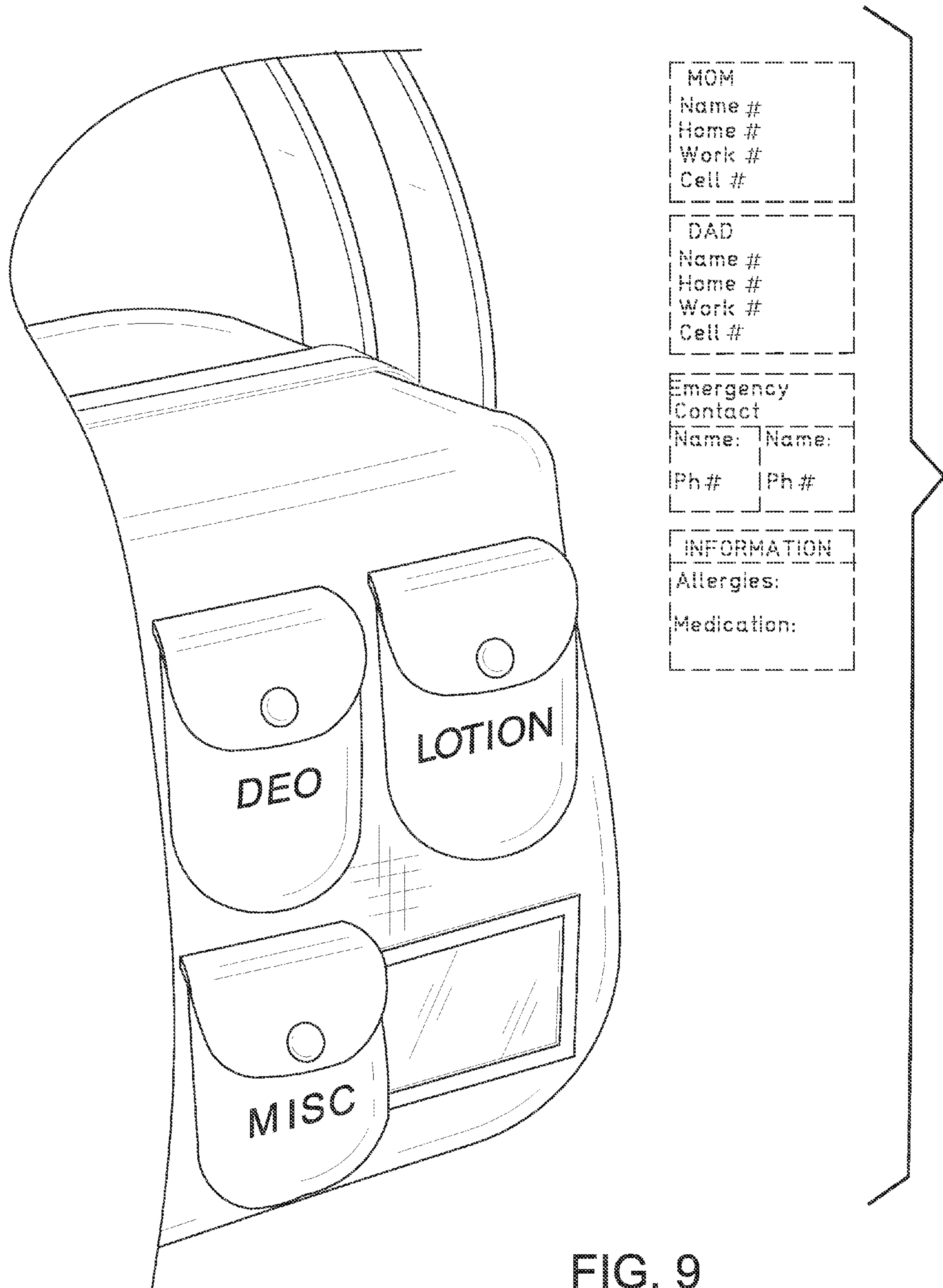


FIG. 9