



US00D690506S

(12) **United States Design Patent**  
**Kuster et al.**

(10) **Patent No.:** **US D690,506 S**  
(45) **Date of Patent:** **\*\* Oct. 1, 2013**

(54) **HANDBAG**

(75) Inventors: **Laurence Kuster**, London (GB);  
**Nicolas Baurain**, London (GB); **Simon Holloway**, London (GB)

(73) Assignee: **J. Choo Limited**, London (GB)

(\*\*) Term: **14 Years**

(21) Appl. No.: **29/420,864**

(22) Filed: **May 14, 2012**

(30) **Foreign Application Priority Data**

Nov. 15, 2011 (EM) ..... 001947532-0006

(51) **LOC (9) Cl.** ..... **03-01**

(52) **U.S. Cl.**  
USPC ..... **D3/232**

(58) **Field of Classification Search**  
USPC ..... D3/232-233, 240-246, 318; 150/100,  
150/103-110, 113-114, 117-119  
See application file for complete search history.

(56) **References Cited**

**U.S. PATENT DOCUMENTS**

1,960,396 A \* 5/1934 Rosenberg ..... 150/105  
1,990,360 A \* 2/1935 Anish ..... 150/105  
D94,873 S \* 3/1935 Cesario ..... D3/245  
D126,220 S \* 4/1941 Goldsmith ..... D3/245

D130,593 S 12/1941 Rajna  
D132,694 S \* 6/1942 Appel ..... D3/326  
D135,428 S 4/1943 Schoenfeld  
D135,605 S \* 5/1943 Kalisher ..... D3/245  
D135,816 S 6/1943 Appel  
D152,762 S \* 2/1949 Williams ..... D3/245

**OTHER PUBLICATIONS**

J. Choo Limited, Cloude Handbag, inventor is Alvaro Gonzalez.  
J. Choo Limited, Cecile Mop Handbag, inventor is Alvaro Gonzalez.

\* cited by examiner

*Primary Examiner* — Holly Baynham

(74) *Attorney, Agent, or Firm* — Fross Zelnick Lehrman & Zissu, P.C.; Lawrence E. Apolzon, Esq.

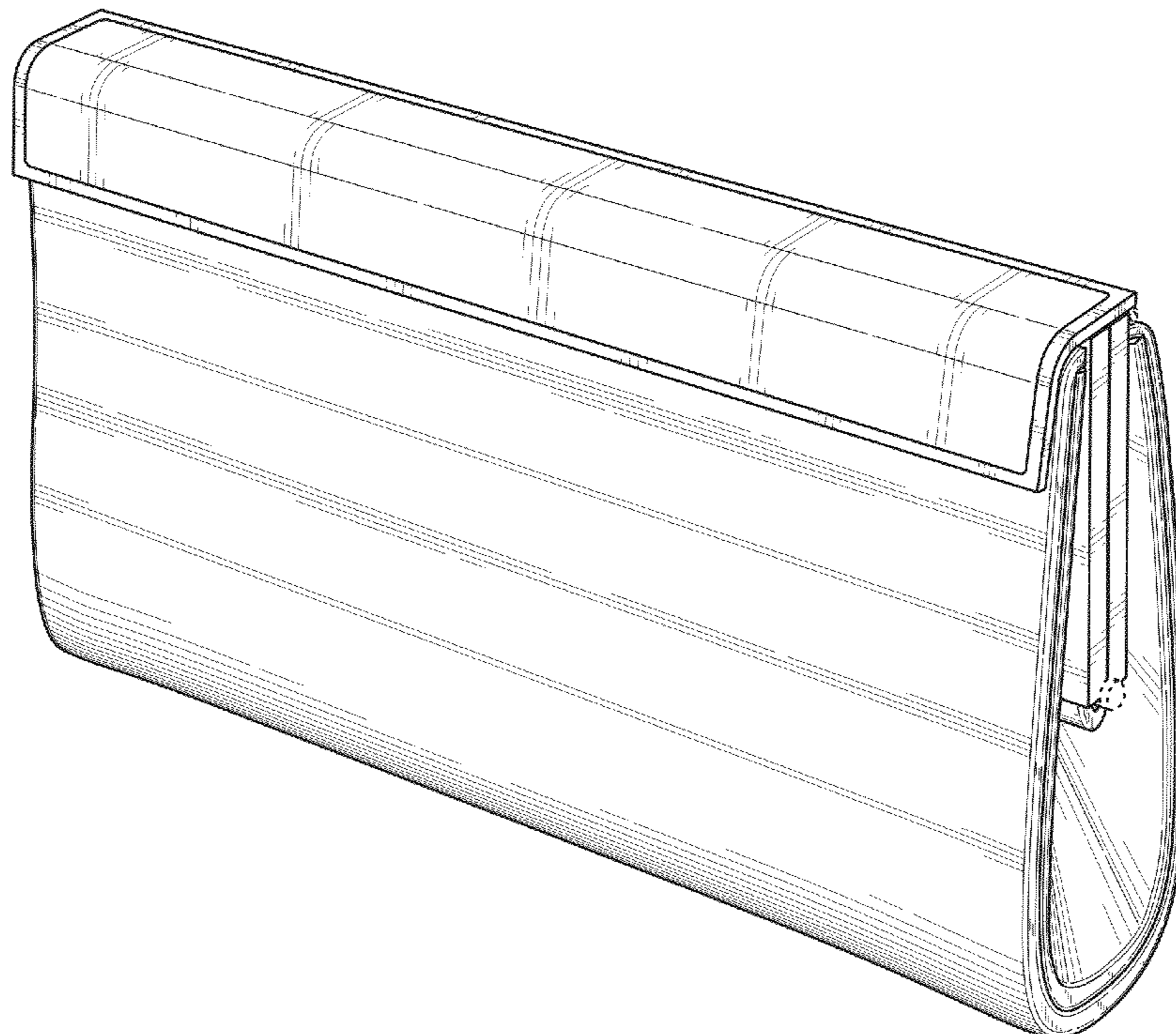
(57) **CLAIM**

The ornamental design for a handbag, as shown and described.

**DESCRIPTION**

FIG. 1 is a front perspective view of a handbag showing my new design;  
FIG. 2 is a front view of the handbag shown in FIG. 1;  
FIG. 3 is a rear view of the handbag shown in FIG. 1;  
FIG. 4 is a left side view of the handbag shown in FIG. 1;  
FIG. 5 is a right side view of the handbag shown in FIG. 1;  
FIG. 6 is a top view of the handbag shown in FIG. 1; and,  
FIG. 7 is a bottom view of the handbag shown in FIG. 1.

**1 Claim, 5 Drawing Sheets**



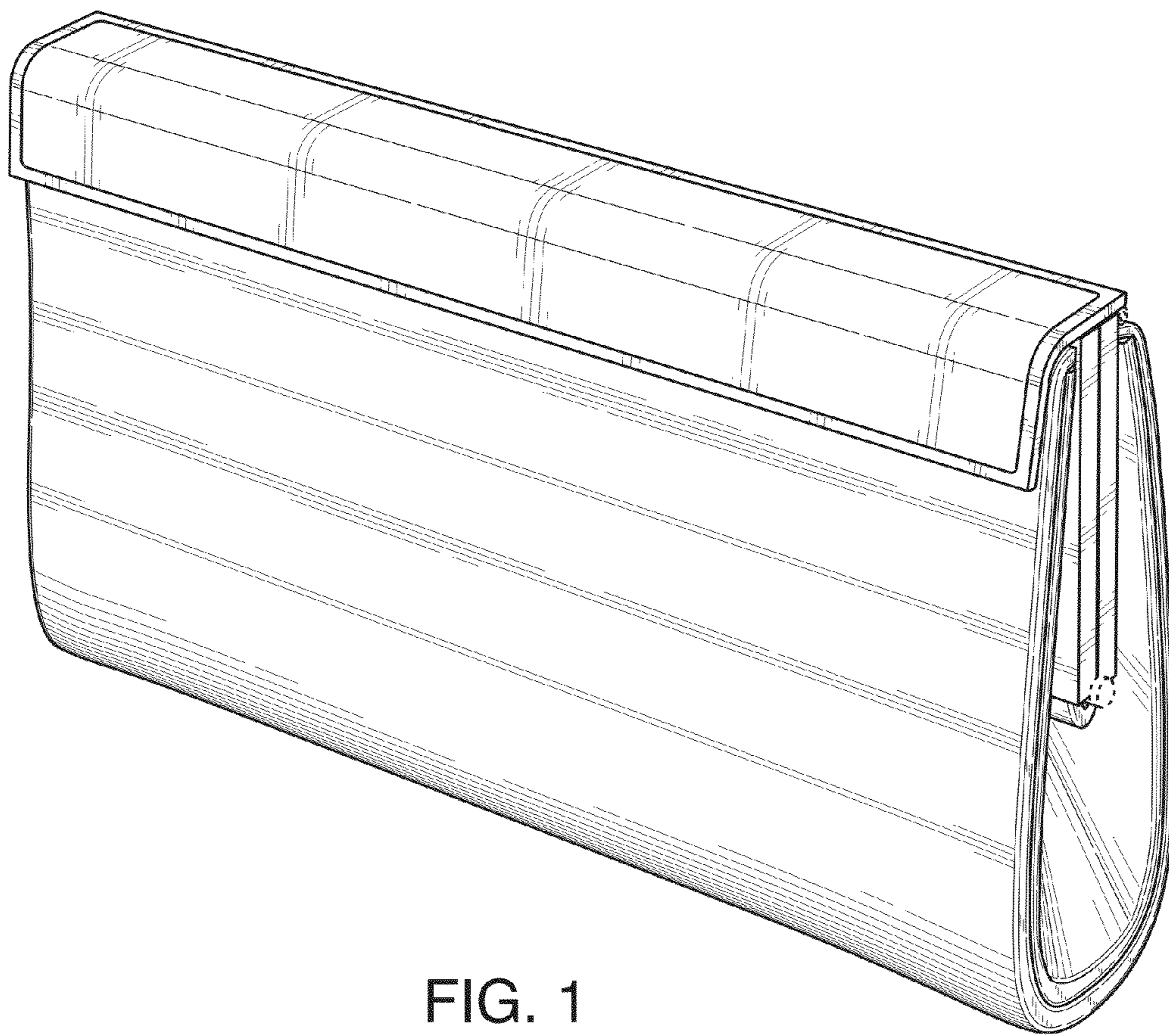


FIG. 1

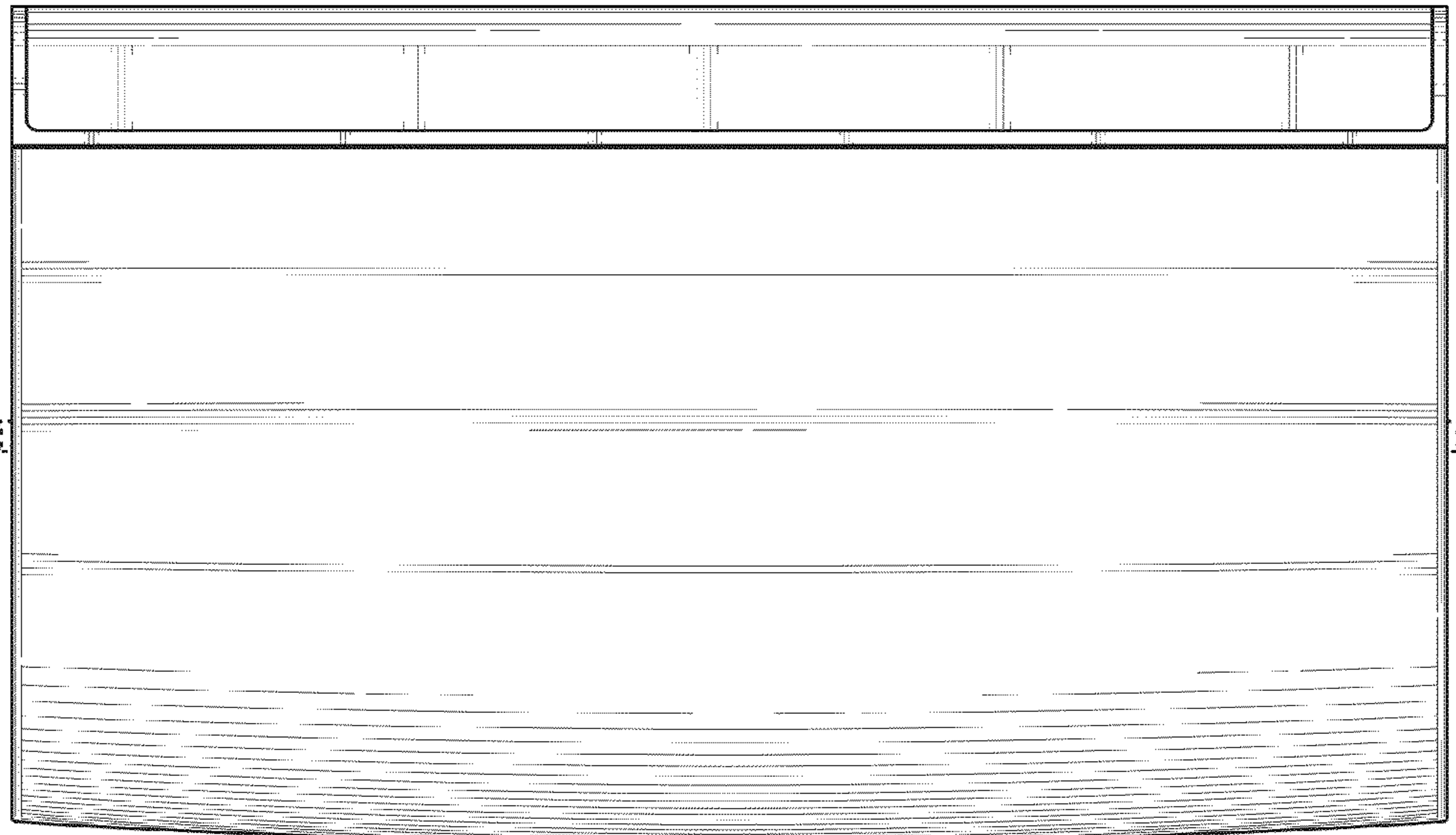


FIG. 2

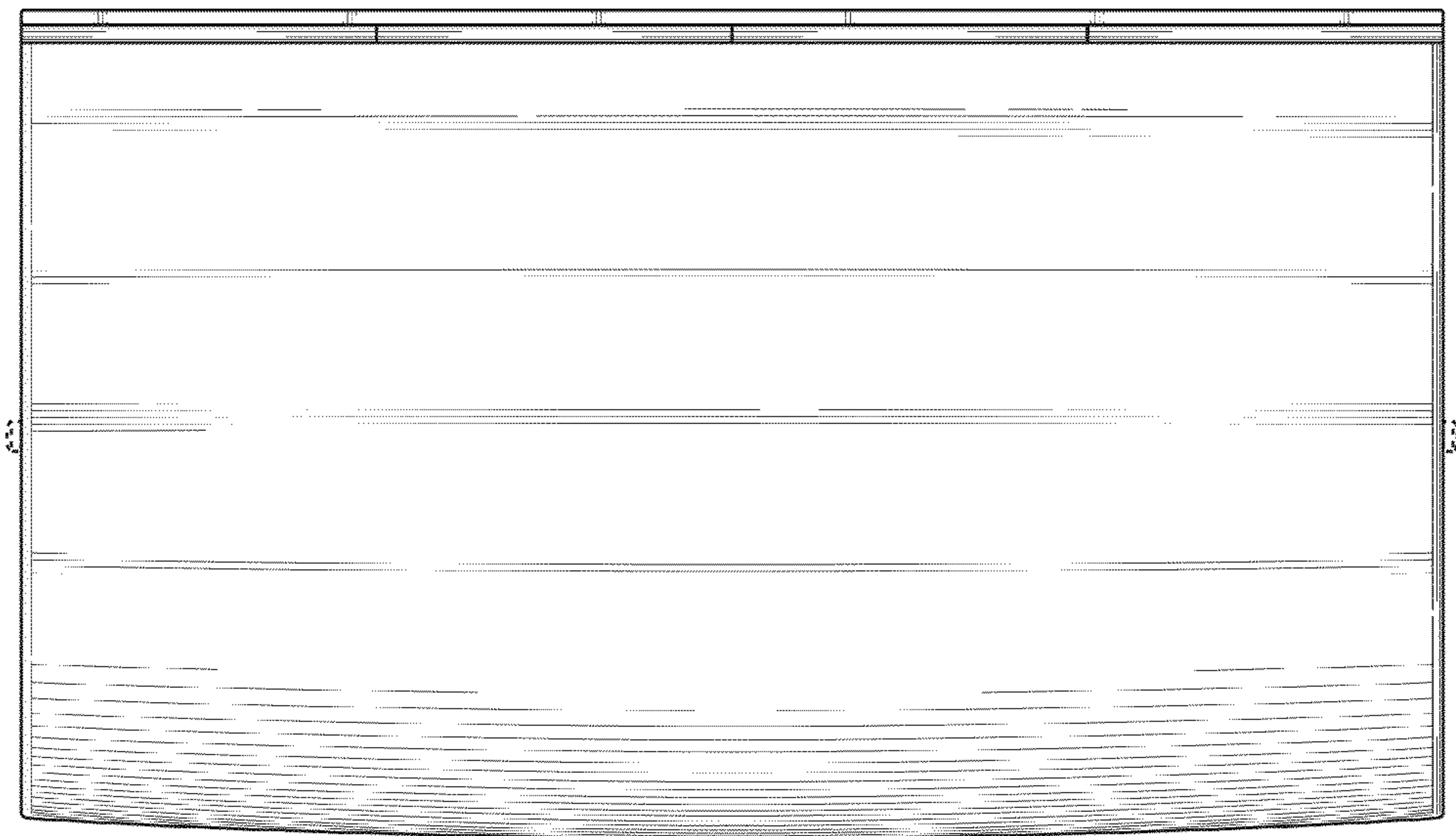


FIG. 3

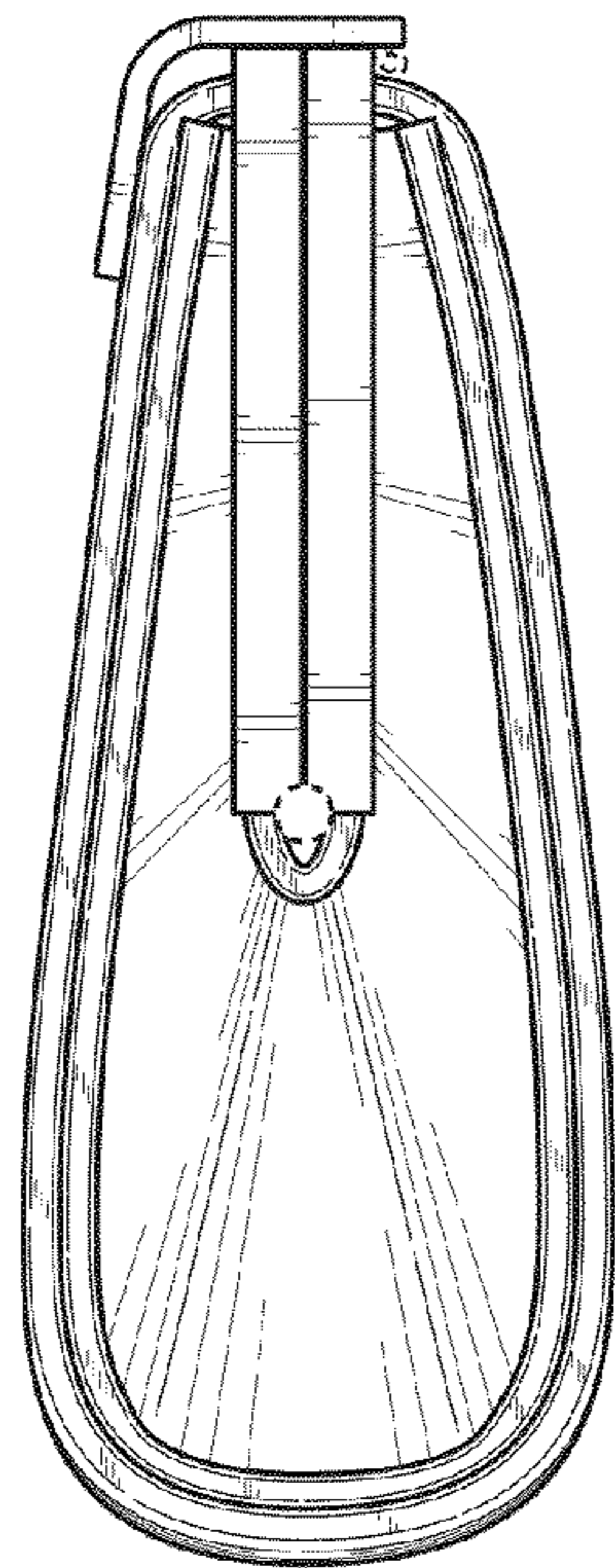


FIG. 4

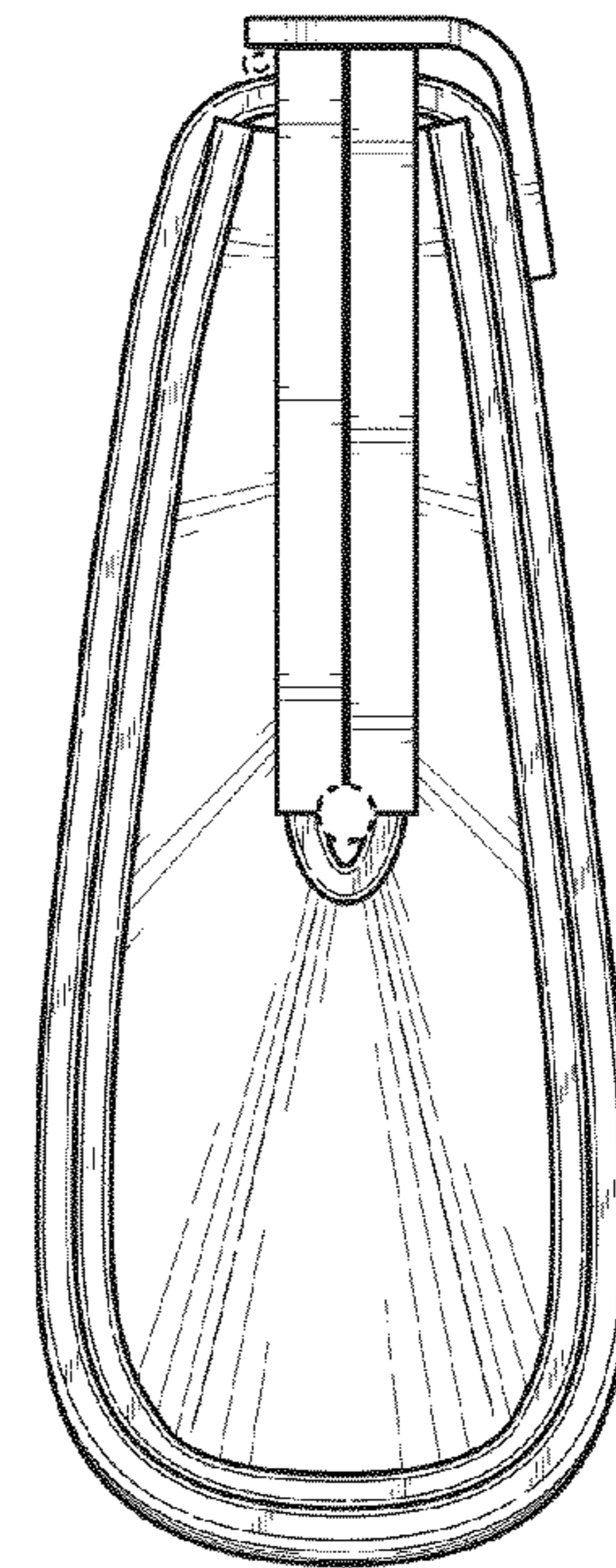


FIG. 5

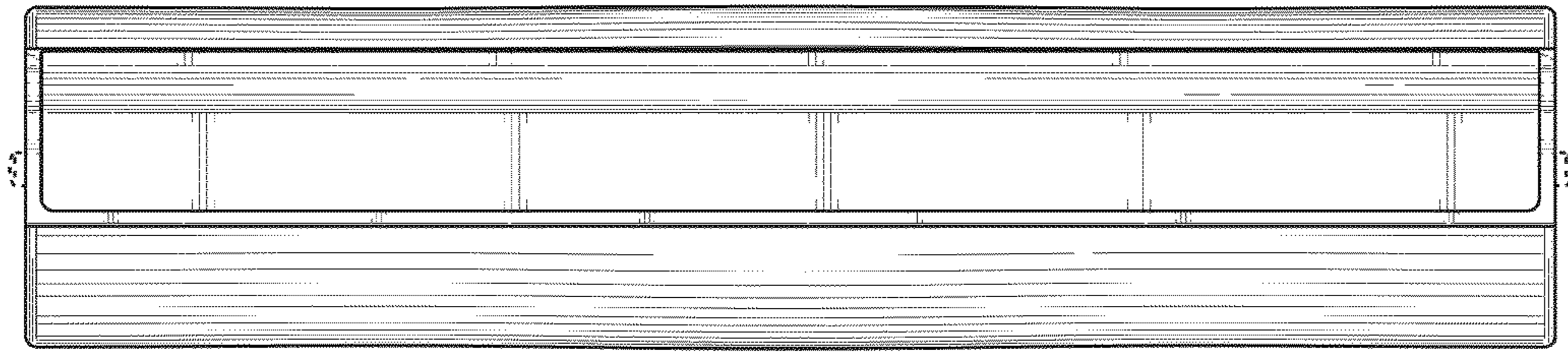


FIG. 6

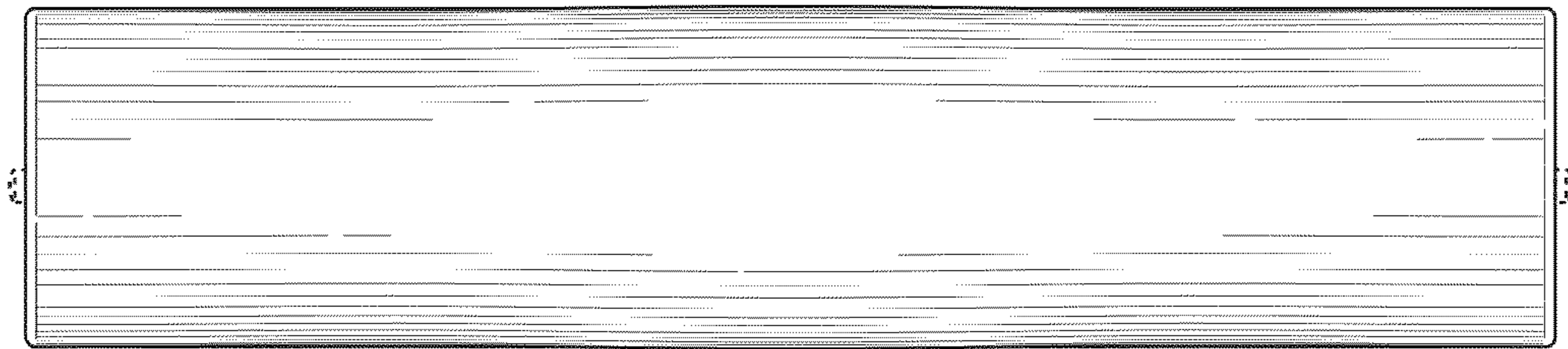


FIG. 7