



US00D690505S

(12) **United States Design Patent**  
**Bird**

(10) **Patent No.:** **US D690,505 S**

(45) **Date of Patent:** **\*\* Oct. 1, 2013**

(54) **SLING**

(71) Applicant: **Jason Bird**, Kingsley, IA (US)

(72) Inventor: **Jason Bird**, Kingsley, IA (US)

(\*\*) Term: **14 Years**

(21) Appl. No.: **29/441,366**

(22) Filed: **Jan. 4, 2013**

(51) **LOC (9) Cl.** ..... **03-01**

(52) **U.S. Cl.**  
USPC ..... **D3/222**

(58) **Field of Classification Search**

USPC ..... D3/222-223, 215, 218; 224/150,  
224/192-193, 198, 257-258, 579, 581-583,  
224/624, 674-675, 913

See application file for complete search history.

Outdoor Hub, Confidence Inspired Performance by Vero Vellini Will Help you Get your Game, outdoorhub.com/news/confidence-inspired-performance-by-vero-vellini-will-help-you-get-your-game/Oct. 24, 2011, 3 pages.

DIY biathlon solution for secure carry—Survivalist Forum, www.survivalistboards.com/showthread.php?t=108275, Sep. 7, 2012, 4 pages.

Accuracy International Biathlon Sling-Black, www.wolverinesupplies.com/details/4814/Accuracy-International-Biathlon-Sling-black.aspx, 1 page, believed to be prior art.

\* cited by examiner

*Primary Examiner* — Catheri Oliver-Garcia

(74) *Attorney, Agent, or Firm* — Kinney & Lange, P.A.

(56) **References Cited**

**U.S. PATENT DOCUMENTS**

4,768,689	A	9/1988	Davis	
4,817,835	A	4/1989	Tarr, Jr.	
5,664,721	A	9/1997	Homeyer	
5,806,742	A *	9/1998	Mott et al.	224/645
5,810,219	A	9/1998	Rosenfield	
6,068,167	A	5/2000	Hopson	
6,260,748	B1 *	7/2001	Lindsey	224/150
6,932,254	B2	8/2005	Eliason	
7,270,254	B2	9/2007	Kakouras	
D600,009	S *	9/2009	Doty et al.	D3/222
7,959,046	B2 *	6/2011	Burnsed et al.	224/150

**OTHER PUBLICATIONS**

Hoffners Gunfighter Forum, gunfighterforum.com, website www.gunfighterforum.com/post-4049.html, 6 pages, believed to be prior art.

(57) **CLAIM**

The ornamental design for a sling, as shown and described.

**DESCRIPTION**

FIG. 1 is a perspective view;

FIG. 2 is a top plan view;

FIG. 3 is a bottom plan view;

FIG. 4 is a right side view;

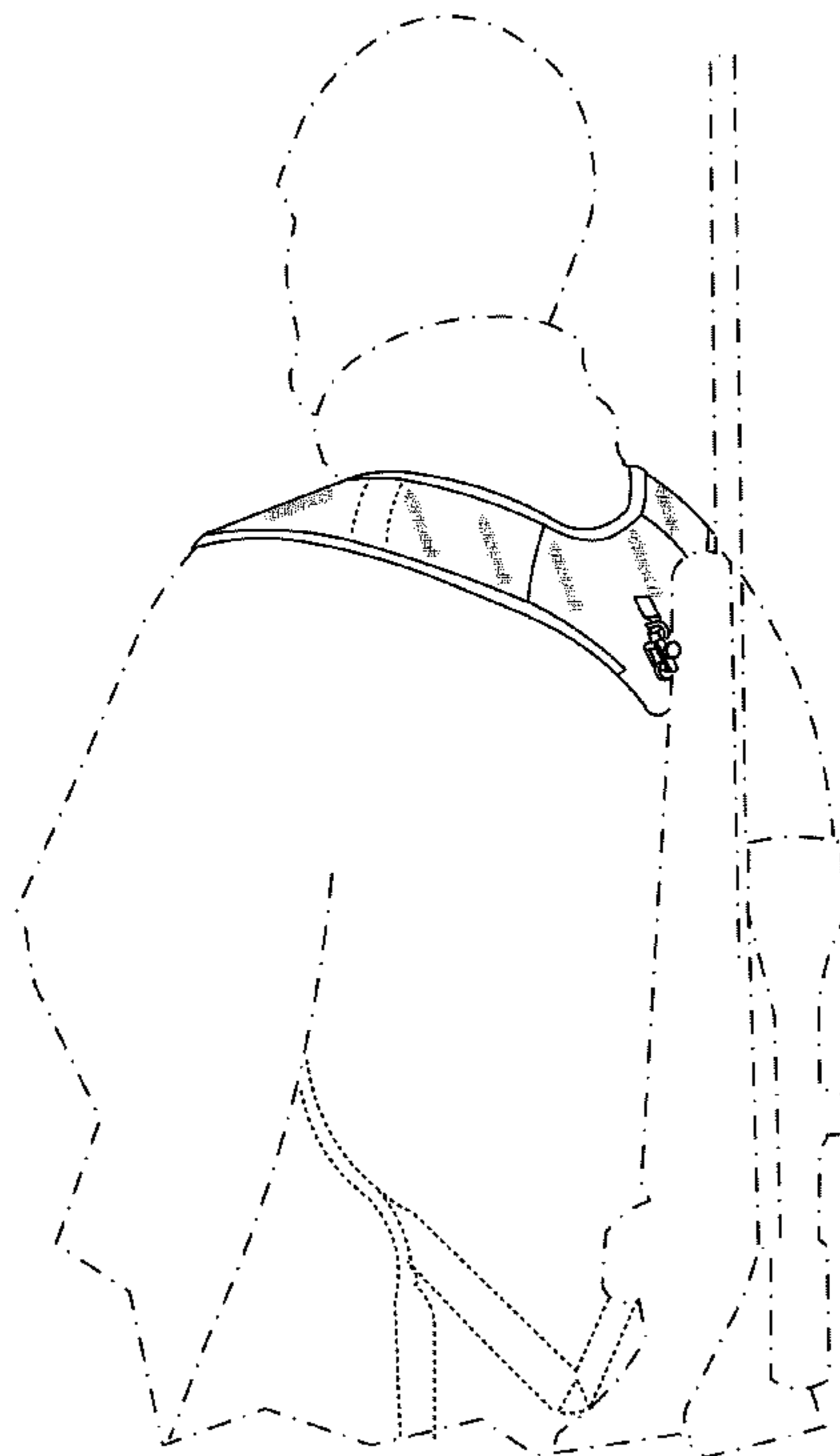
FIG. 5 is a left side view;

FIG. 6 is an end view; and,

FIG. 7 is an opposite end view.

The broken lines in FIGS. 1-7 are for environmental purposes and form no part of the claimed design.

**1 Claim, 3 Drawing Sheets**



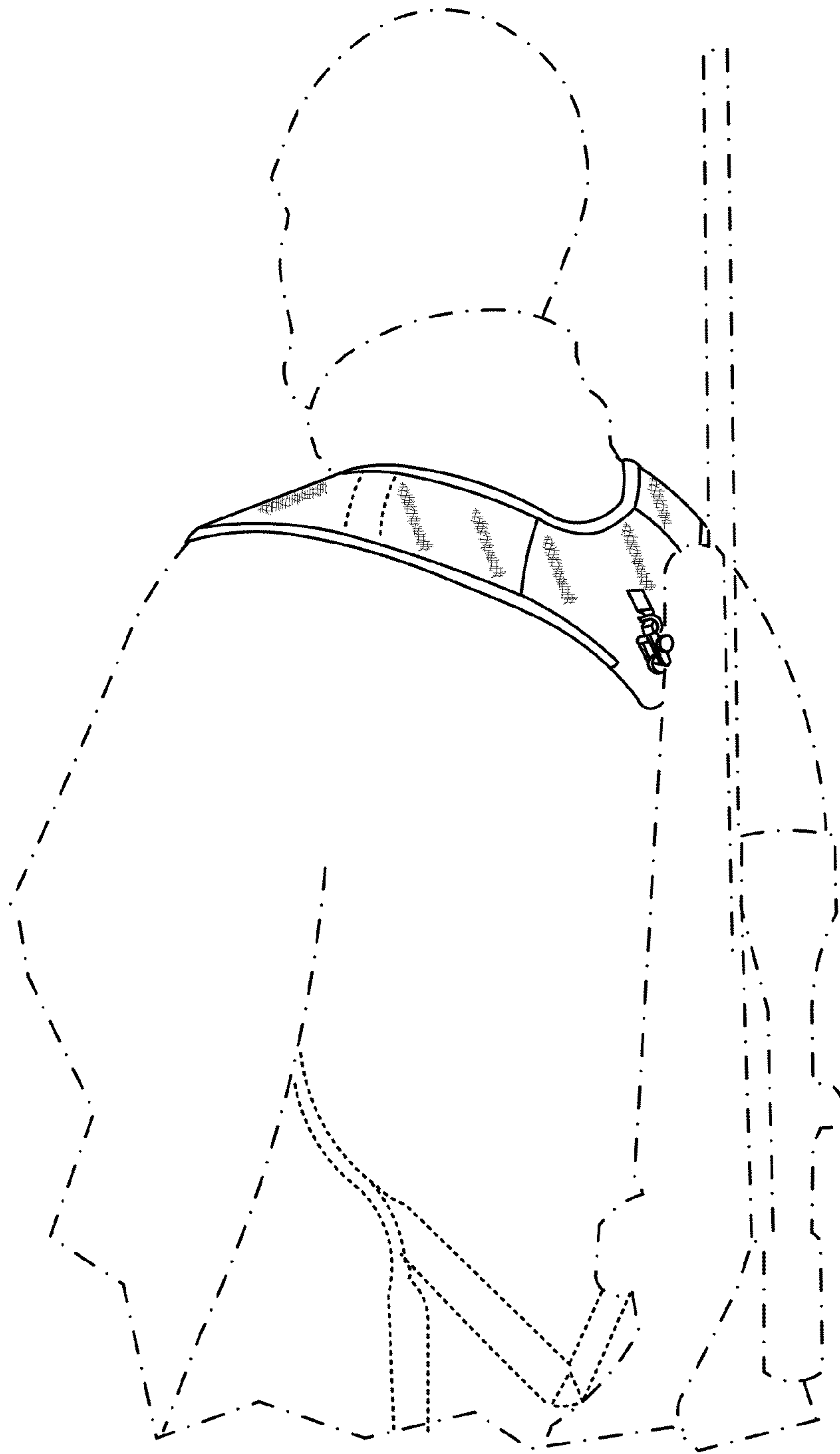
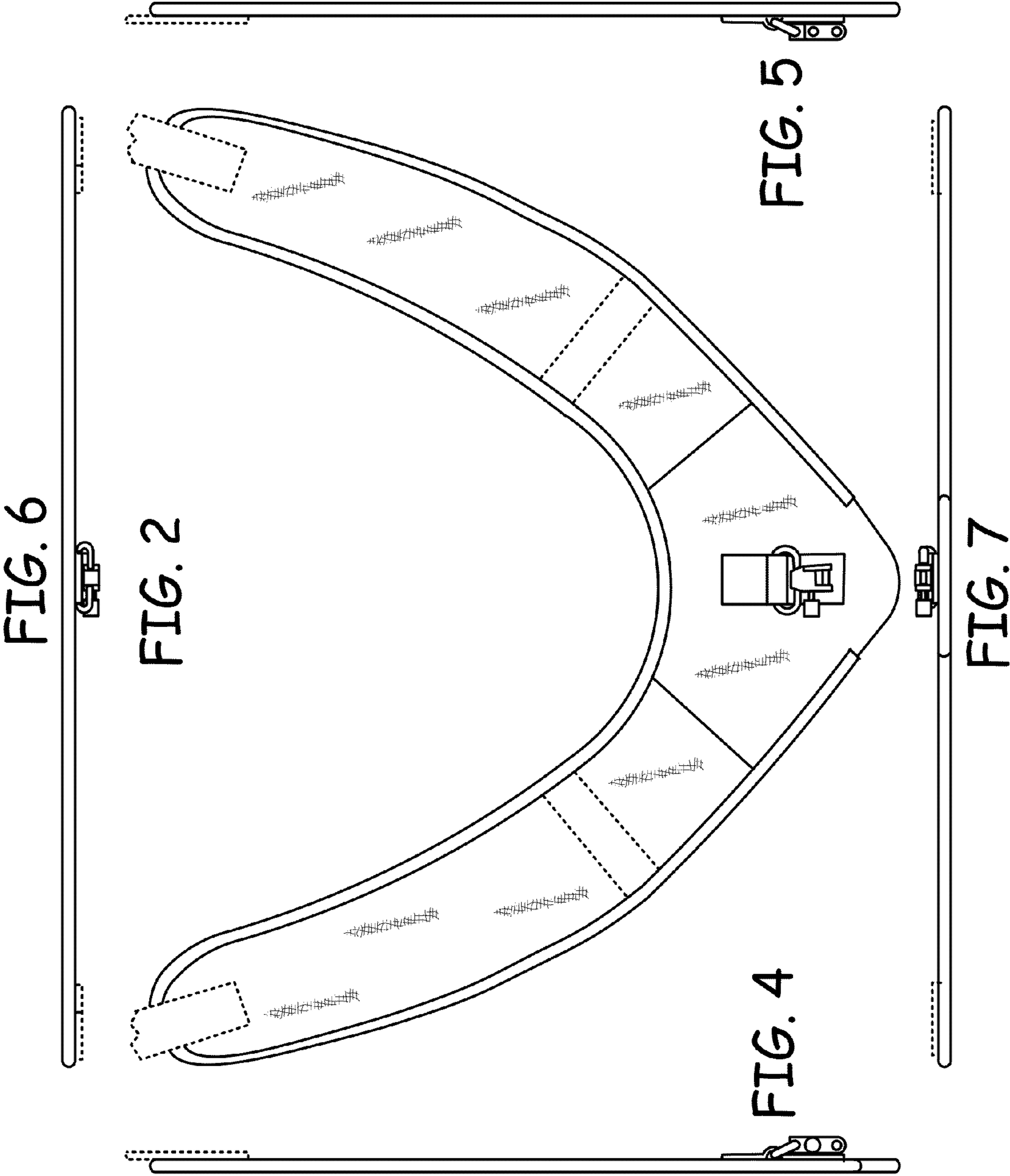


Fig. 1



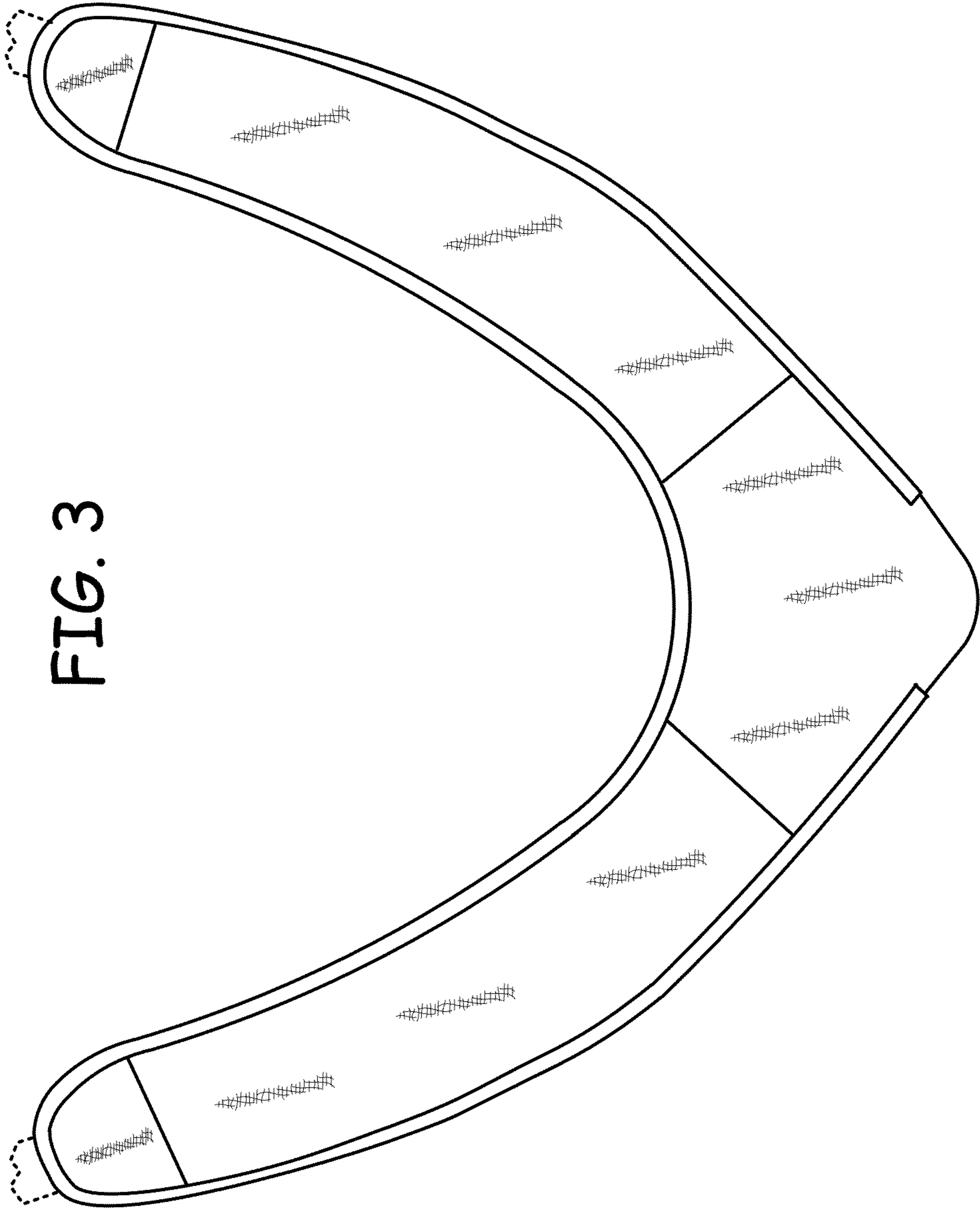


FIG. 3