



US00D690504S

(12) **United States Design Patent**
Tyybakinoja et al.

(10) **Patent No.:** **US D690,504 S**
(45) **Date of Patent:** **** Oct. 1, 2013**

(54) **ACCESSORY FOR A DROP LEG PISTOL
HOLSTER**

(75) Inventors: **Jarno Tyybakinoja**, Lahela (FI); **Sami Helle**, Masku (FI)

(73) Assignee: **Holster Tech Finland Oy**, Helsinki (FI)

(**) Term: **14 Years**

(21) Appl. No.: **29/417,316**

(22) Filed: **Apr. 2, 2012**

(30) **Foreign Application Priority Data**

Oct. 18, 2011 (EC) 001933441

(51) **LOC (9) Cl.** **03-01**

(52) **U.S. Cl.**
USPC **D3/222**

(58) **Field of Classification Search**
USPC D3/222-223, 221, 224, 226, 228;
224/192-193, 198, 222, 243, 267, 675, 677,
224/680, 682-683, 904
See application file for complete search history.

(56) **References Cited**

U.S. PATENT DOCUMENTS

4,828,154 A * 5/1989 Clifton, Jr. 224/661
4,953,767 A * 9/1990 Bennett 224/192

D399,054 S * 10/1998 Garrison D3/226
D414,331 S * 9/1999 Lichtenberger D3/228
D435,338 S * 12/2000 DiLorenzo D3/226
D481,534 S * 11/2003 Andrew D3/226
7,195,140 B1 * 3/2007 Marinelli 224/222
D586,553 S * 2/2009 Kiss D3/224
7,950,554 B2 * 5/2011 Hoffner et al. 224/661

* cited by examiner

Primary Examiner — Catheri Oliver-Garcia

(74) *Attorney, Agent, or Firm* — Fildes & Outland, P.C.

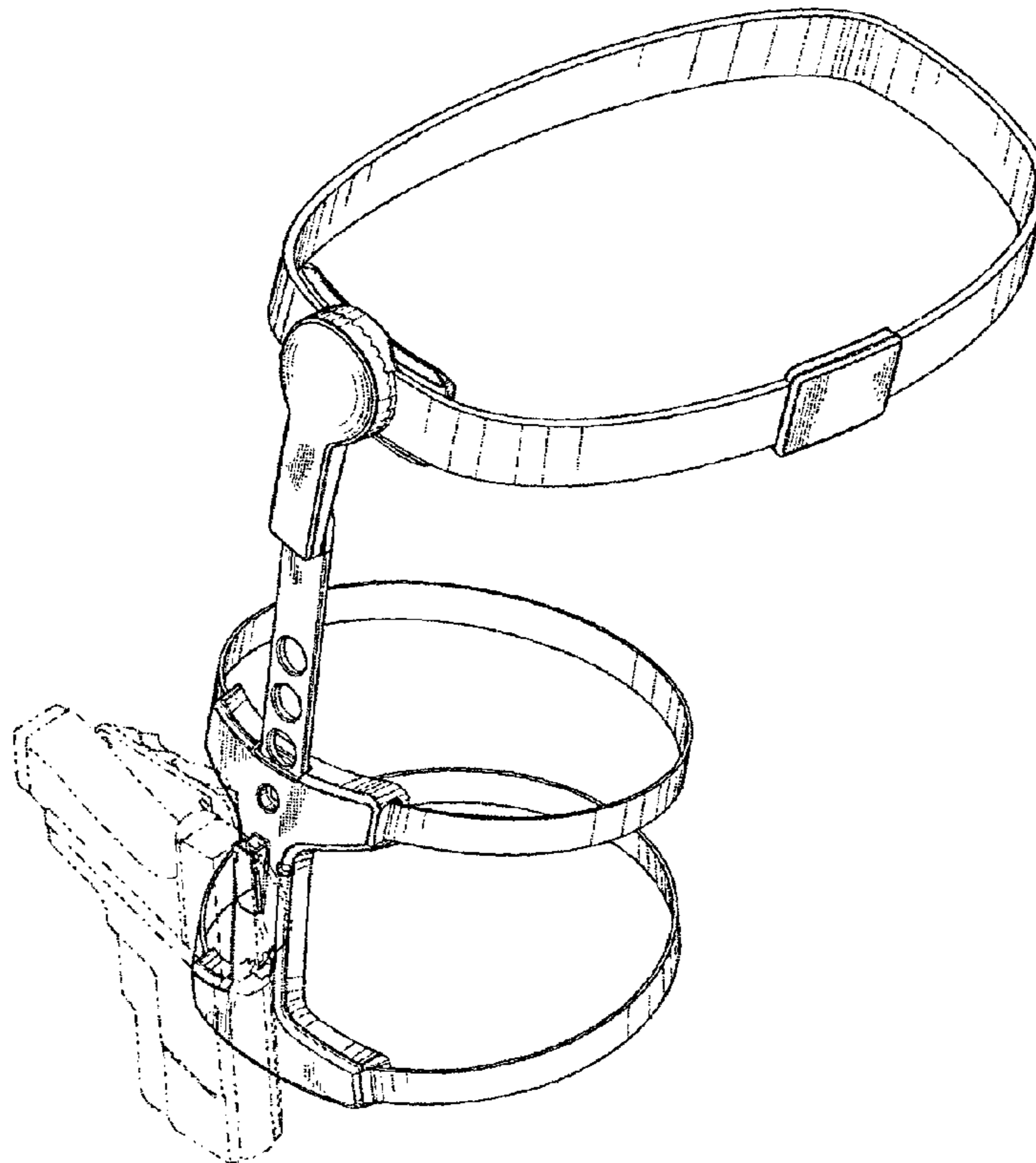
(57) **CLAIM**

The ornamental design for an accessory for a drop leg pistol holster, as shown and described.

DESCRIPTION

FIG. 1 is a front perspective view of an accessory for a drop leg pistol holster of our new design;
FIG. 2 is a front view of the accessory for a drop leg pistol holster, the rear view being a mirror image thereof;
FIG. 3 is a side view of the accessory for a drop leg pistol holster, the other side being a mirror image thereof;
FIG. 4 is the rear view of the accessory for a drop leg pistol holster; and,
FIG. 5 is the other side view of the accessory for a drop leg pistol holster.
The broken line drawing of a pistol in all views is for illustrative purposes only and forms no part of the claimed design.

1 Claim, 5 Drawing Sheets



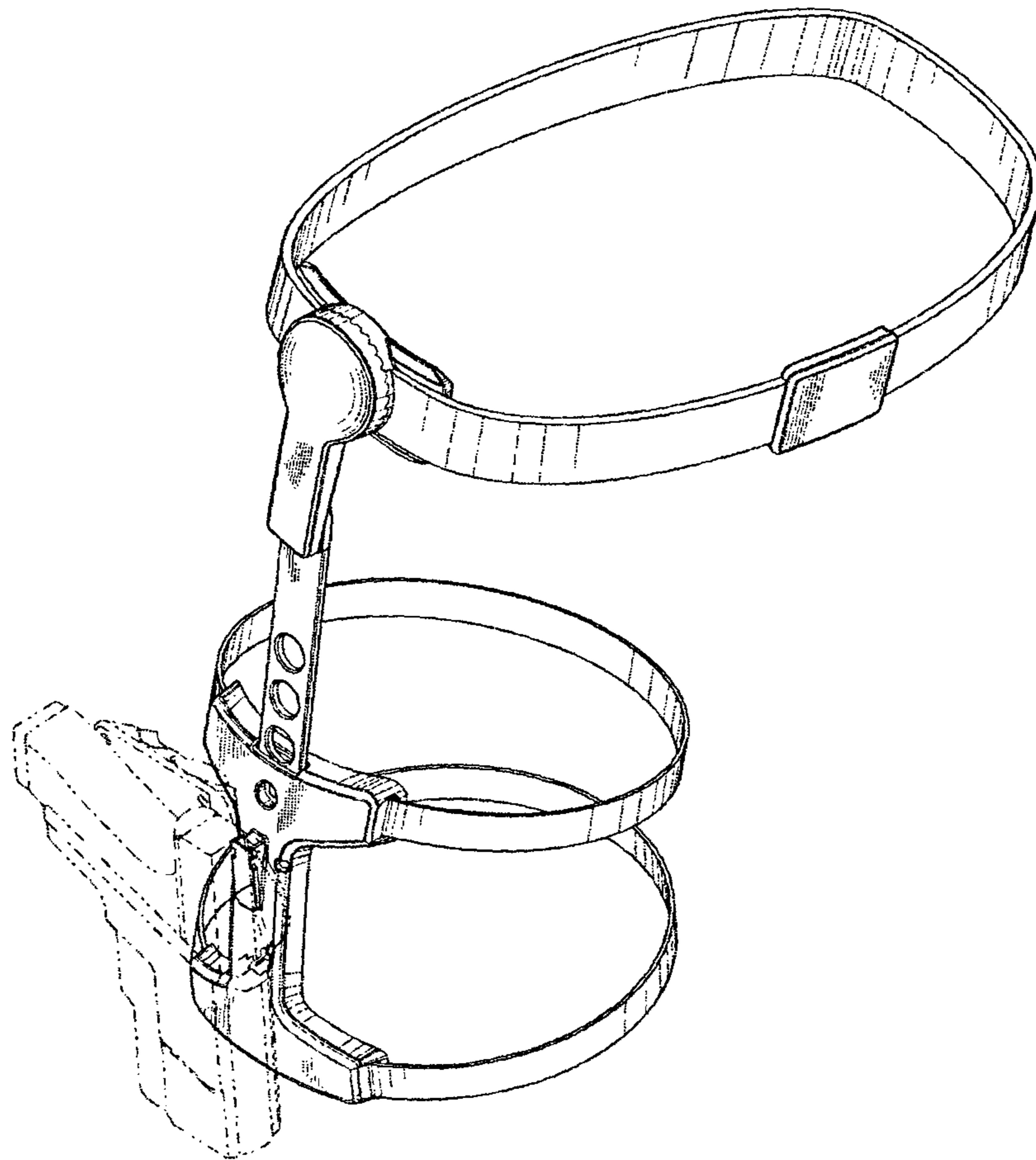


FIG. 1

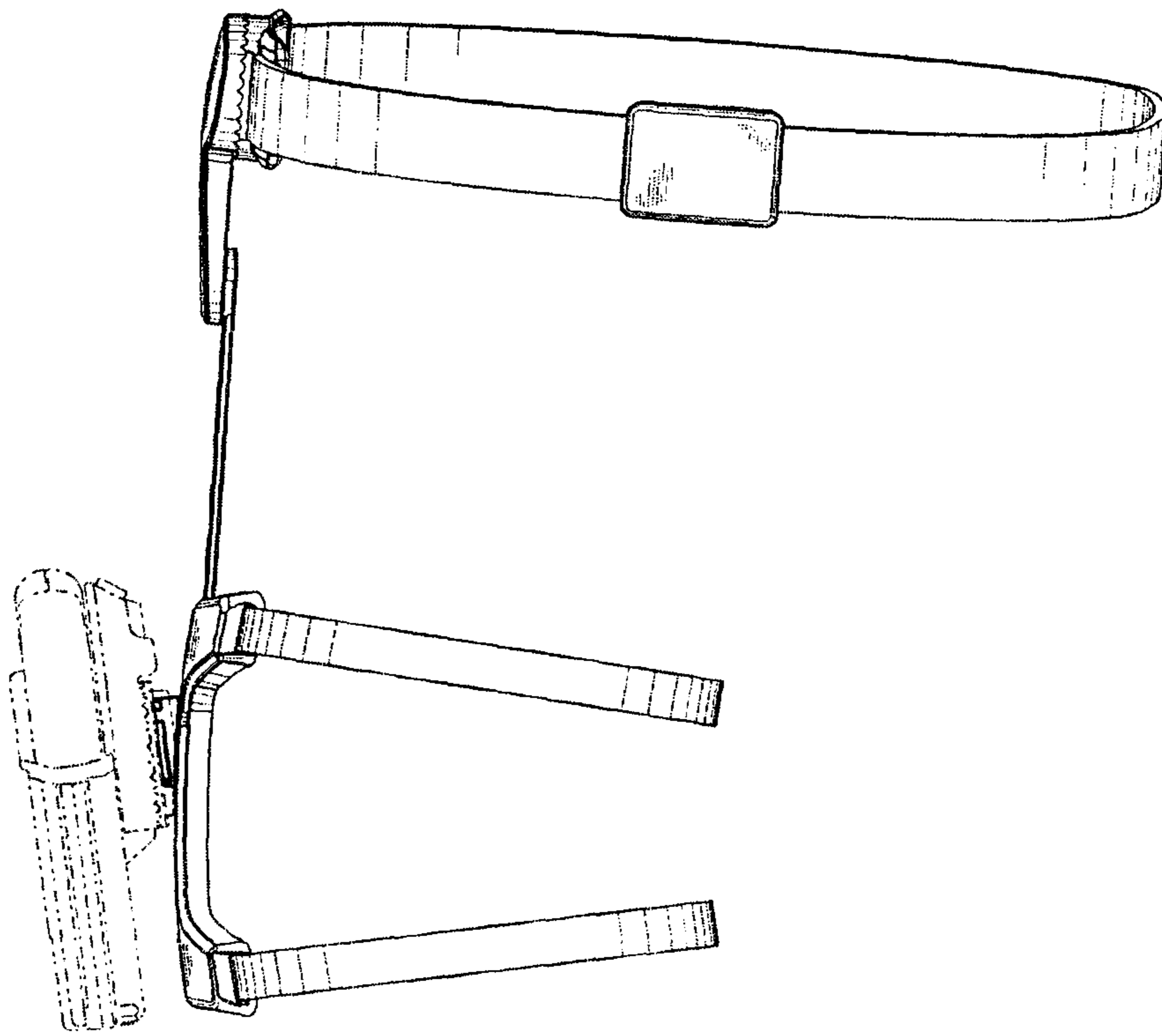


FIG. 2

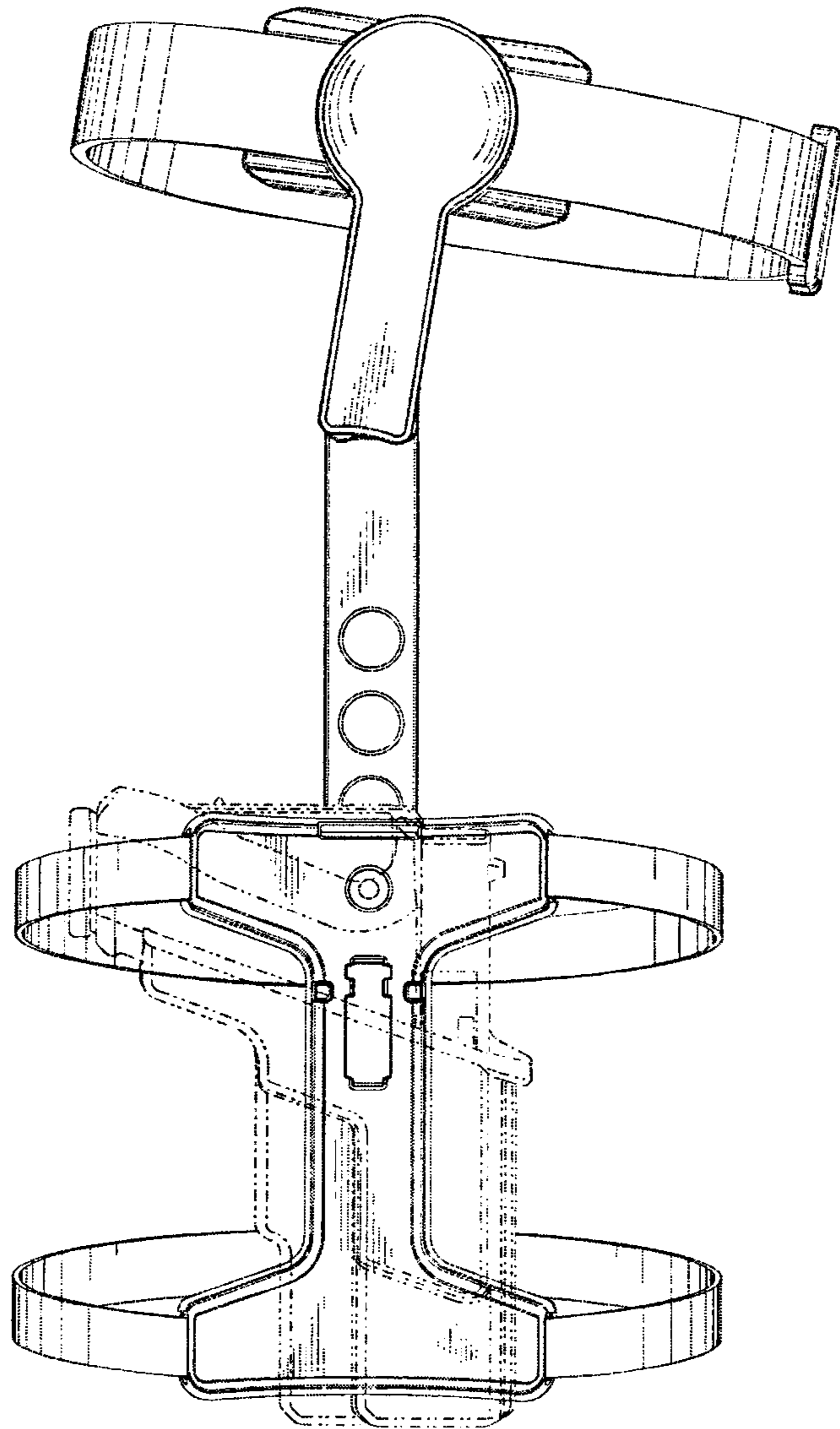


FIG. 3

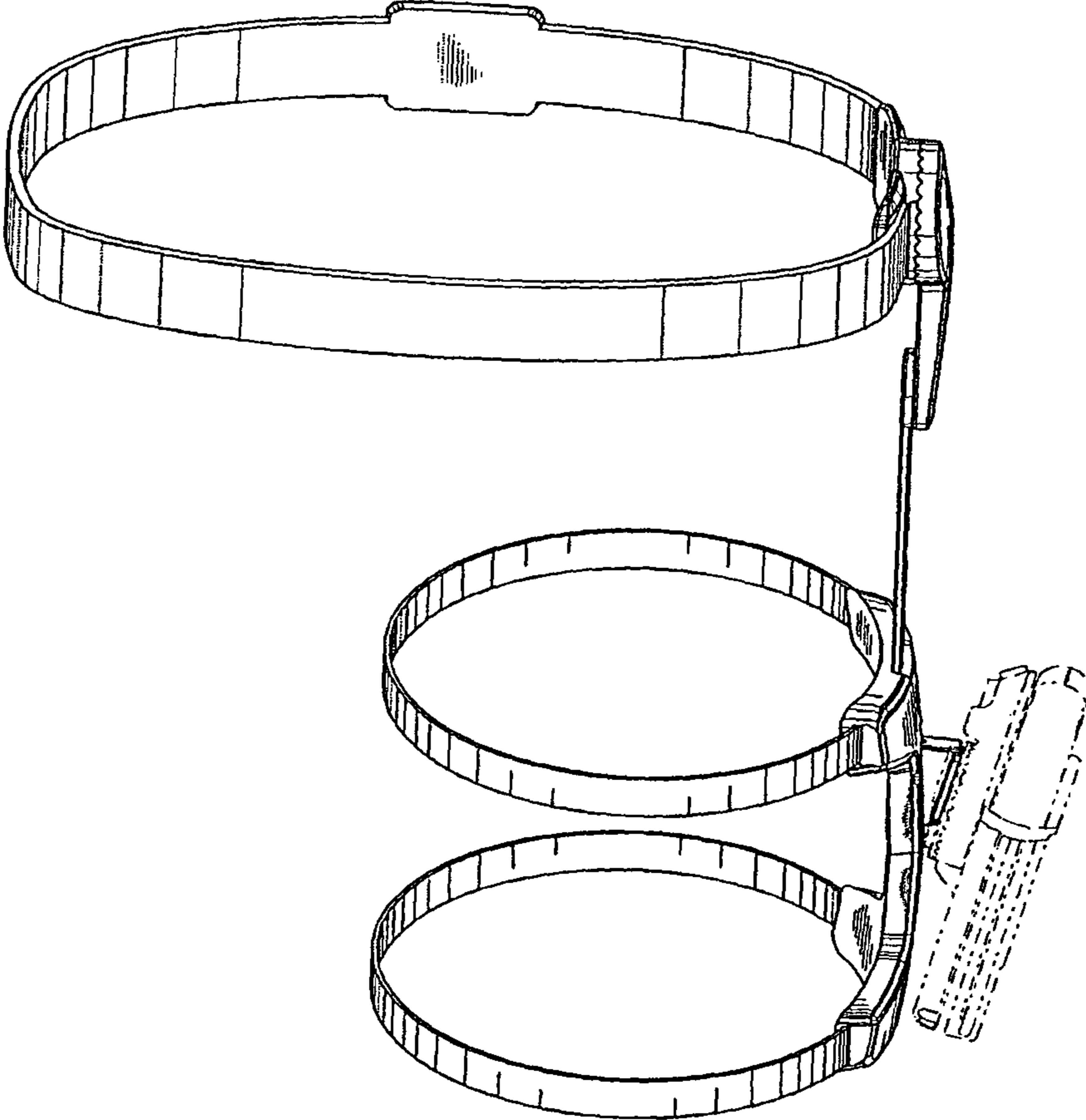


FIG. 4

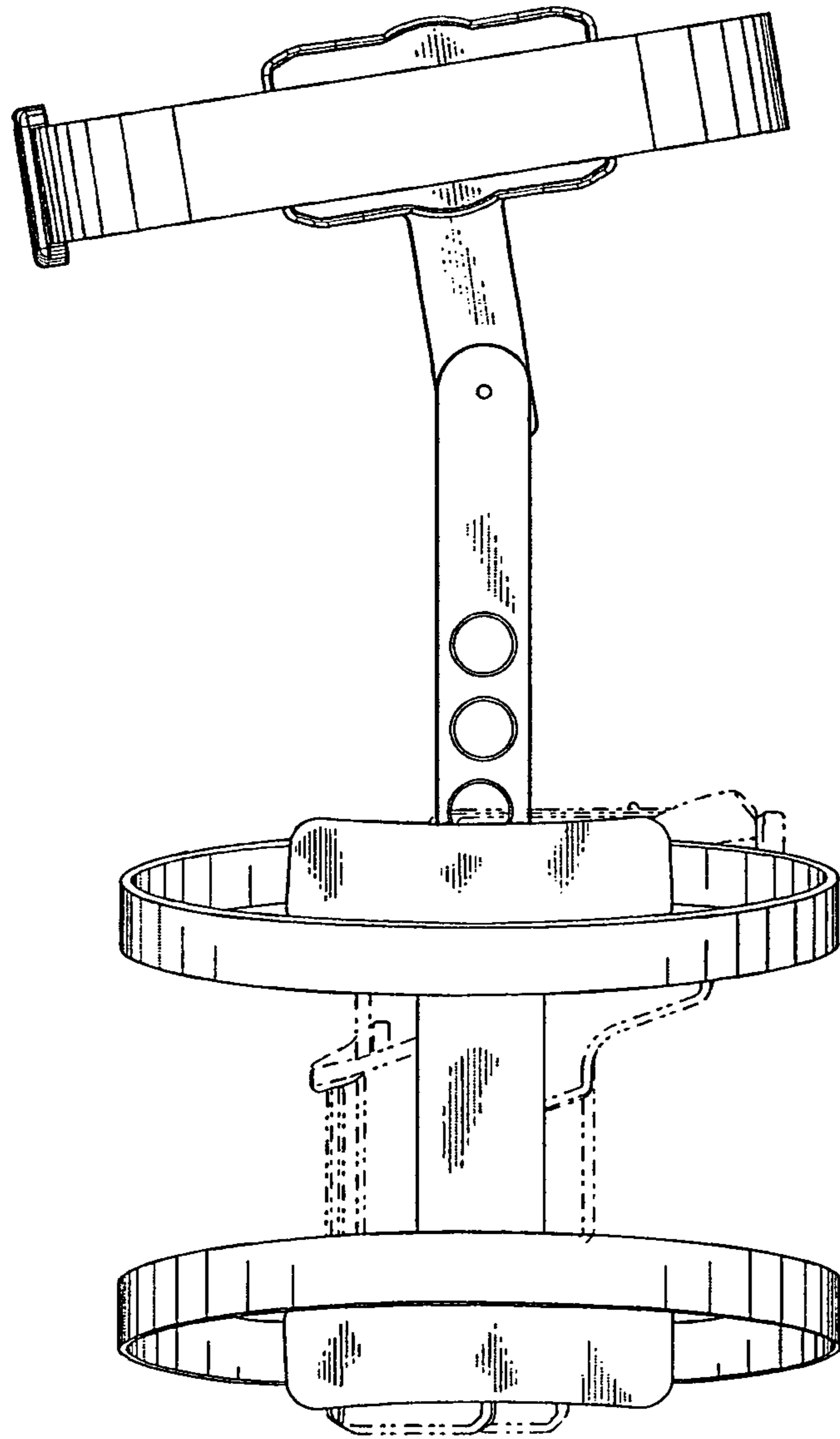


FIG. 5