



US00D690502S

(12) **United States Design Patent**
Bergquist

(10) **Patent No.:** **US D690,502 S**

(45) **Date of Patent:** **** Oct. 1, 2013**

(54) **CONVERTIBLE CARRYING CASE**

(76) Inventor: **Bart Brian Bergquist**, Milwaukie, OR
(US)

(**) Term: **14 Years**

(21) Appl. No.: **29/396,978**

(22) Filed: **Jul. 8, 2011**

(51) **LOC (9) Cl.** **03-01**

(52) **U.S. Cl.**

USPC **D3/217**; D3/216

(58) **Field of Classification Search**

USPC D3/214, 215, 216, 217, 270; D2/830;
224/153, 576, 577, 578

See application file for complete search history.

(56) **References Cited**

U.S. PATENT DOCUMENTS

34,272	A	1/1862	Ward
294,622	A	3/1884	Honinger
340,339	A	4/1886	Marshall
385,429	A	7/1888	Sohner
417,301	A	12/1889	Weldon
424,324	A	3/1890	Marshall
432,607	A	7/1890	Dwyer
447,669	A	3/1891	Dwyer
504,101	A	8/1893	Zbinden

(Continued)

FOREIGN PATENT DOCUMENTS

FR	695048	A	12/1930
GB	188146		9/1921

OTHER PUBLICATIONS

Tumi, Inc., "Dror Brief", at least as early as Oct. 1, 2012, <http://m.tumi.com/>
aHR0cDovL3d3dy50dW1pLmNvbS9wcm9kdWN0L2luZGV4Lmpzcd9wcm9kdWN0SWQ9MTI1NTk1NDQmb3JkZXJtb3VyY2VDb2R1PTA%3D.

Primary Examiner — T. Chase Nelson

(74) *Attorney, Agent, or Firm* — Law Office of Karen Dana Oster, LLC

(57) **CLAIM**

I claim the ornamental design for a convertible carrying case, as shown and described.

DESCRIPTION

FIG. 1 is a front perspective view of an exemplary convertible carrying case configured as a backpack.

FIG. 2 is a front plan view of the exemplary convertible carrying case configured as a backpack.

FIG. 3 is a rear plan view of the exemplary convertible carrying case configured as a backpack.

FIG. 4 is a top plan view of the exemplary convertible carrying case configured as a backpack.

FIG. 5 is a bottom plan view of the exemplary convertible carrying case configured as a backpack.

FIG. 6 is a first side view of the exemplary convertible carrying case configured as a backpack.

FIG. 7 is a second side view of the exemplary convertible carrying case configured as a backpack.

FIG. 8 is a front perspective view of the exemplary convertible carrying case configured as a briefcase.

FIG. 9 is a front plan view of the exemplary convertible carrying case configured as a briefcase.

FIG. 10 is a rear plan view of the exemplary convertible carrying case configured as a briefcase.

FIG. 11 is a top plan view of the exemplary convertible carrying case configured as a briefcase.

FIG. 12 is a bottom plan view of the exemplary convertible carrying case configured as a briefcase.

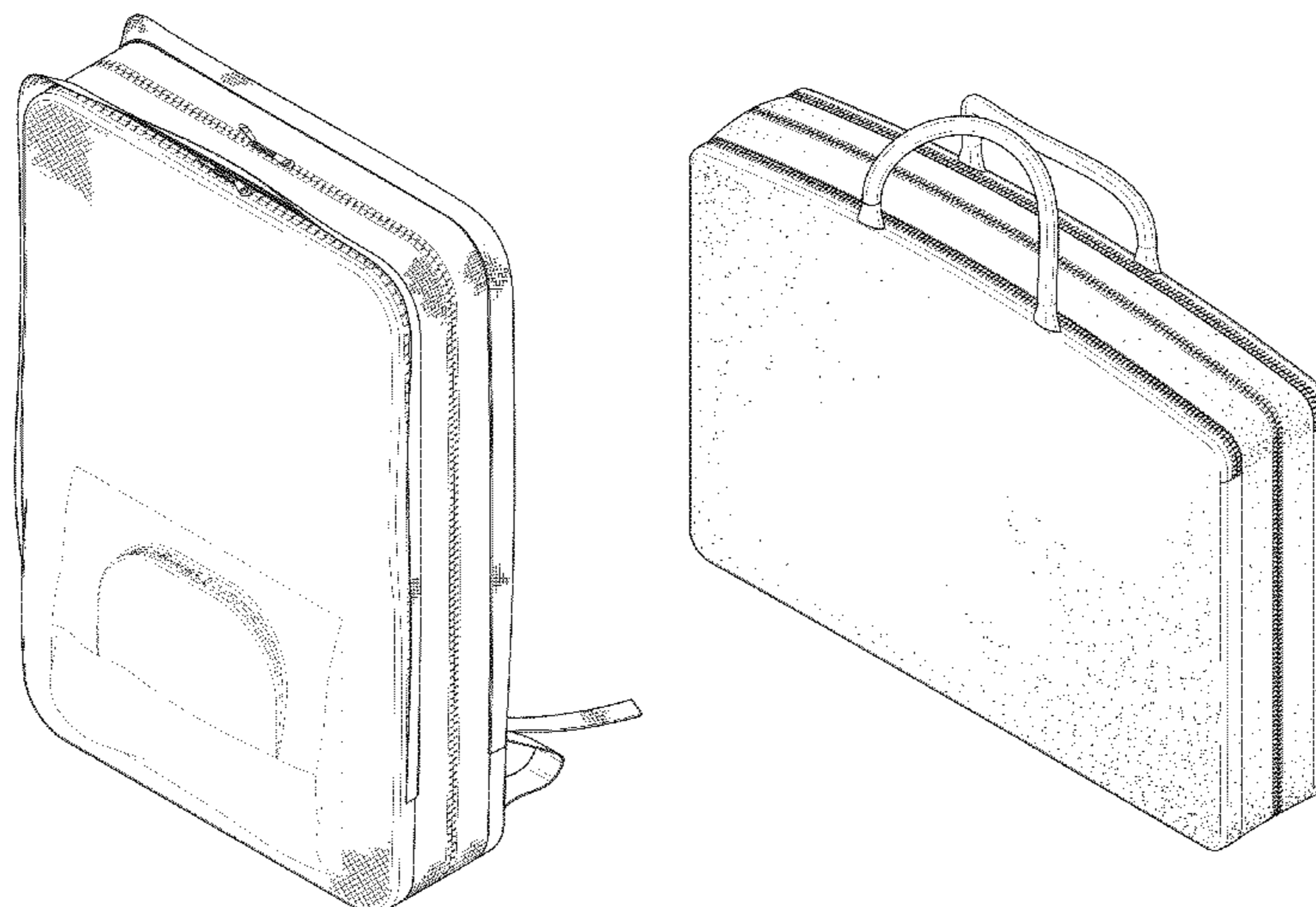
FIG. 13 is a first side view of the exemplary convertible carrying case configured as a briefcase; and,

FIG. 14 is a second side view of the exemplary convertible carrying case configured as a briefcase.

The cross-hatched pattern shown on the drawings is meant to represent a textured fabric surface.

The broken line depictions of the pockets, pouches, and other structure are included for environmental purposes and form no part of the claimed design.

1 Claim, 12 Drawing Sheets



(56)

References Cited

U.S. PATENT DOCUMENTS

511,690 A 12/1893 Edwards
 922,567 A 5/1909 Cosgrove
 954,825 A 4/1910 Schumacher
 1,084,360 A 1/1914 Rahm
 1,397,161 A 11/1921 Tobias
 1,537,956 A 5/1925 McNally
 1,761,426 A 6/1930 Chute
 2,010,166 A 8/1935 Thompson
 2,063,850 A 12/1936 Nemeth et al.
 2,078,624 A 4/1937 Wolff et al.
 2,086,326 A 7/1937 Goldberg
 2,086,895 A 7/1937 Cart
 2,105,319 A 1/1938 Hedden et al.
 2,182,879 A 12/1939 Rinehart
 2,254,578 A 9/1941 O'Brien
 2,370,492 A 2/1945 Russell
 2,428,795 A 10/1947 Frazee
 2,493,506 A 1/1950 Schwartzbard
 D157,266 S 2/1950 Kiernan
 2,557,280 A 6/1951 Hahn
 2,674,288 A 4/1954 Laidlaw
 2,943,775 A 7/1960 Mack
 3,019,869 A 2/1962 Engelhardt
 3,019,952 A 2/1962 Brewster
 RE25,826 E 8/1965 Ward
 3,233,803 A 2/1966 Gray
 3,254,816 A 6/1966 Gray
 3,346,155 A 10/1967 Oechsle
 3,530,919 A 9/1970 May
 3,542,170 A 11/1970 Bialo
 3,622,056 A 11/1971 Droeger
 3,696,850 A 10/1972 Rosenblum
 D230,327 S 2/1974 Cooperstein
 3,802,613 A 4/1974 Droeger
 3,830,348 A 8/1974 Ohyama
 3,837,447 A 9/1974 Honan
 D237,752 S 11/1975 Bauer
 3,938,716 A 2/1976 Jackson et al.
 3,938,718 A 2/1976 Madison
 3,957,184 A 5/1976 Shurman
 3,960,300 A * 6/1976 Dickler 224/629
 3,970,229 A 7/1976 Norinsky
 3,989,174 A 11/1976 Norinsky
 3,994,372 A 11/1976 Geller et al.
 3,995,802 A 12/1976 Johnston
 4,018,369 A 4/1977 Jaeger
 4,066,195 A 1/1978 Dickler
 4,153,146 A 5/1979 Patton et al.
 4,182,391 A 1/1980 Kjose
 4,236,657 A 12/1980 Brunton
 4,273,274 A 6/1981 Freistadt
 D270,586 S * 9/1983 Tatnall et al. D3/217
 4,449,655 A * 5/1984 Germe 224/153
 D275,622 S * 9/1984 Pierce et al. D3/217
 4,483,469 A 11/1984 Arisland
 4,491,258 A 1/1985 Jones
 4,506,769 A 3/1985 Franco et al.
 4,513,866 A * 4/1985 Thomas 206/570
 D278,949 S * 5/1985 Soininen D3/270
 D279,144 S 6/1985 Allen
 4,593,841 A 6/1986 Lange
 4,609,084 A * 9/1986 Thomas 190/110
 4,756,394 A 7/1988 Cohen
 4,767,039 A * 8/1988 Jacober 224/153
 4,782,874 A 11/1988 Chartier
 4,810,102 A 3/1989 Norton
 D302,211 S * 7/1989 Sears D3/283
 4,856,570 A 8/1989 Rushing et al.
 4,869,408 A 9/1989 Lutz
 4,874,340 A 10/1989 Smallwood
 4,883,207 A 11/1989 McArthur
 4,887,751 A 12/1989 Lehman
 4,901,897 A * 2/1990 Briggs et al. 224/153
 4,946,292 A 8/1990 Diamond et al.
 4,961,522 A * 10/1990 Weber 224/585

4,979,658 A 12/1990 Baker
 D319,144 S * 8/1991 Goude D3/217
 D323,237 S * 1/1992 Zoltie D2/831
 D323,426 S * 1/1992 Mahvi et al. D3/214
 5,165,111 A * 11/1992 Lieberman 2/94
 D339,283 S * 9/1993 Barros D8/333
 D343,513 S * 1/1994 DiTizio D3/217
 5,361,951 A 11/1994 Chehebar
 D354,849 S * 1/1995 Herman et al. D3/216
 5,377,887 A 1/1995 Garcia
 D358,483 S * 5/1995 Cross et al. D3/276
 5,415,332 A 5/1995 Kliot
 5,425,449 A 6/1995 Boorady
 D360,182 S * 7/1995 Lovett D12/409
 5,431,317 A 7/1995 Kliot
 5,447,261 A 9/1995 Mitomi et al.
 5,456,353 A * 10/1995 Challoner et al. 206/292
 5,490,619 A 2/1996 Boyar
 D387,198 S 12/1997 Lehmann et al.
 5,692,660 A 12/1997 Stewart
 5,706,992 A * 1/1998 Moor 224/657
 5,749,503 A 5/1998 Wulf
 5,765,733 A 6/1998 Brule
 5,797,529 A 8/1998 Lavine
 5,819,998 A * 10/1998 Chehebar 224/153
 5,826,770 A * 10/1998 Chuang 224/607
 5,881,932 A 3/1999 Wadden
 5,887,770 A 3/1999 Covell
 5,887,777 A 3/1999 Myles et al.
 5,908,147 A * 6/1999 Chuang 224/607
 5,927,581 A 7/1999 Reddy et al.
 D412,787 S * 8/1999 Young D3/283
 5,964,384 A 10/1999 Young
 6,112,959 A * 9/2000 Townsend 224/153
 6,129,254 A * 10/2000 Yu 224/575
 6,134,712 A * 10/2000 Spector 2/94
 6,152,338 A * 11/2000 Smith 224/149
 D435,343 S 12/2000 Eskandry
 6,161,738 A * 12/2000 Norris 224/153
 6,164,509 A * 12/2000 Gausling et al. 224/627
 6,193,118 B1 2/2001 Kearl
 D441,190 S 5/2001 Eskandry
 6,230,771 B1 5/2001 Hellenbrand
 D446,009 S * 8/2001 Mandell D3/217
 6,305,587 B1 * 10/2001 Miller 224/153
 6,336,577 B1 * 1/2002 Harris et al. 224/153
 6,394,328 B1 5/2002 Zakarin
 6,530,507 B2 3/2003 Oh
 D472,371 S * 4/2003 Pomare D3/216
 6,592,012 B2 7/2003 Godshaw et al.
 6,595,334 B1 * 7/2003 Saetia 190/18 A
 6,601,743 B2 8/2003 Godshaw
 D482,865 S * 12/2003 Fair D3/267
 6,655,565 B2 12/2003 Godshaw et al.
 D485,432 S * 1/2004 Desrochers D3/216
 D498,585 S 11/2004 Darling
 D511,620 S * 11/2005 Van Himbeek D3/217
 6,994,193 B2 * 2/2006 Saetia 190/18 A
 D518,956 S * 4/2006 Van Himbeek D3/289
 D529,717 S * 10/2006 Brancky D3/285
 D544,708 S * 6/2007 Barker D3/216
 D545,056 S 6/2007 Leighton
 7,593,222 B2 9/2009 Zbikowski
 D605,849 S * 12/2009 Mori D3/217
 7,681,769 B2 3/2010 Kramer
 D623,857 S * 9/2010 Austin D3/289
 D625,518 S * 10/2010 Edwards D3/289
 D634,929 S * 3/2011 Bizzell D3/276
 D638,623 S * 5/2011 Chen D3/204
 D647,302 S * 10/2011 Hoang D3/289
 8,028,879 B2 * 10/2011 Amishay 224/578
 8,123,090 B2 * 2/2012 Missick 224/155
 8,146,787 B2 * 4/2012 Cragg 224/680
 D658,363 S * 5/2012 Biddle D3/217
 D660,585 S * 5/2012 McDonald et al. D3/217
 D661,085 S * 6/2012 Custer D3/217
 D674,183 S * 1/2013 Iacchetti D3/216
 2002/0145018 A1 10/2002 Godshaw et al.
 2002/0162718 A1 11/2002 Wu

US D690,502 S

Page 3

2003/0015559	A1	1/2003	Oh							
2003/0042277	A1	3/2003	Gulmatico							
2003/0057239	A1	3/2003	Godshaw							
2003/0205593	A1*	11/2003	Lavelle	224/153	2009/0127307	A1*	5/2009	Austwick et al.	224/577
2004/0065708	A1	4/2004	Amram			2009/0201671	A1*	8/2009	Huntley 362/108
2004/0094583	A1*	5/2004	Bernbaum et al.	224/153	2010/0006613	A1	1/2010	Burns	
2005/0023309	A1	2/2005	Haugland			2010/0072235	A1*	3/2010	Barton et al. 224/153
2005/0056668	A1*	3/2005	Aris et al.	224/153	2010/0111448	A1	5/2010	Li	
2005/0056669	A1*	3/2005	Lavelle	224/153	2010/0127025	A1	5/2010	Kelling	
2005/0092802	A1	5/2005	Maley			2010/0147918	A1	6/2010	Hensley et al.	
2005/0103817	A1	5/2005	Glinkler			2010/0200632	A1	8/2010	Lee	
2005/0194413	A1	9/2005	Baker			2010/0219221	A1*	9/2010	Zheng 224/576
2005/0258294	A1	11/2005	Dickson			2010/0243692	A1	9/2010	Sabbah	
2006/0105137	A1	5/2006	Kouts			2010/0284631	A1	11/2010	Lee	
2007/0125815	A1	6/2007	Tong			2010/0320248	A1	12/2010	Uimonen	
2007/0199966	A1*	8/2007	Korchmar	224/578	2012/0018477	A1*	1/2012	Inouye 224/576
2008/0054031	A1	3/2008	Headley			2012/0111912	A1*	5/2012	Zheng 224/576
2008/0116026	A1	5/2008	Bass et al.			2012/0240521	A1*	9/2012	Johnson 53/396

* cited by examiner

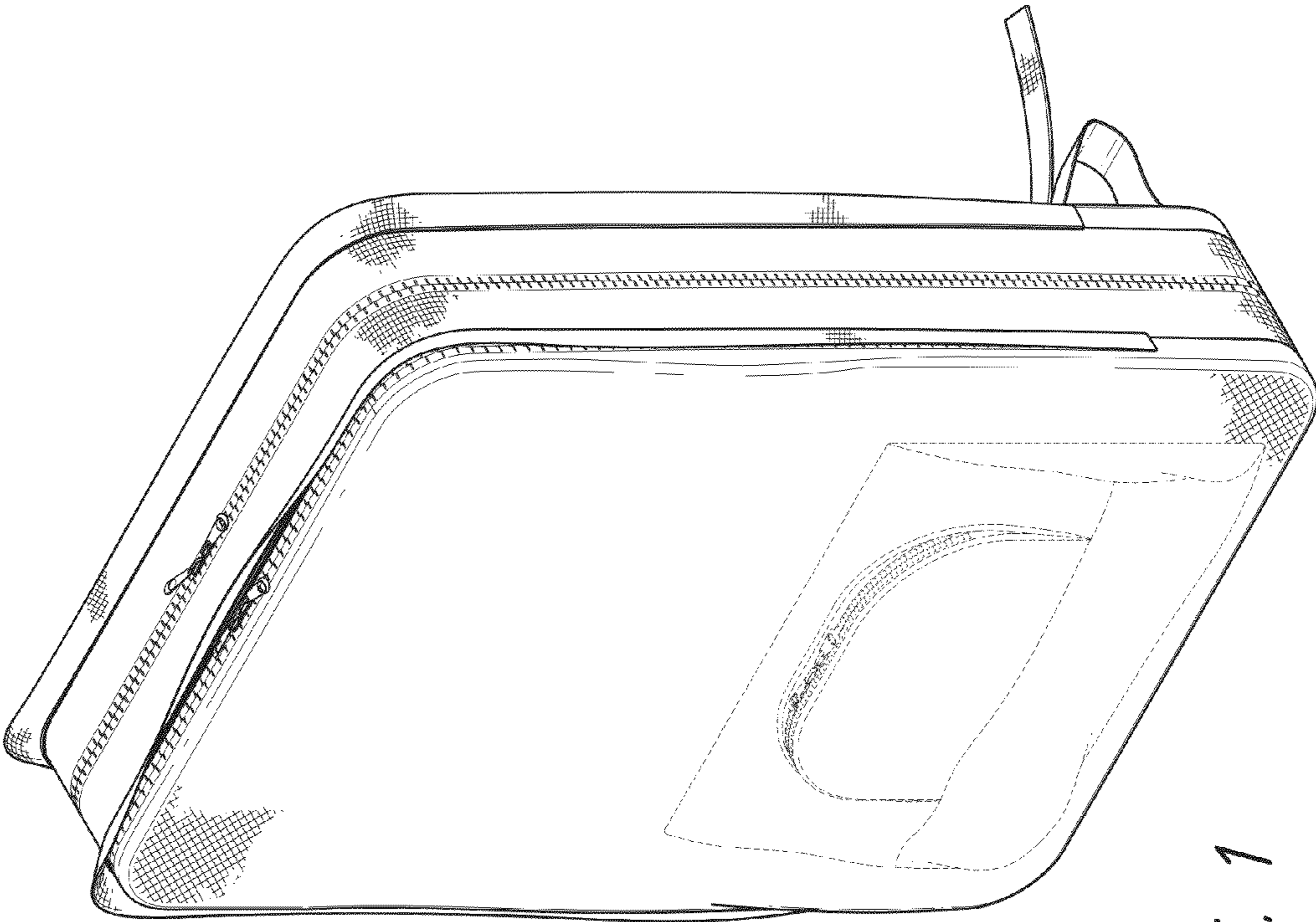


FIG. 1

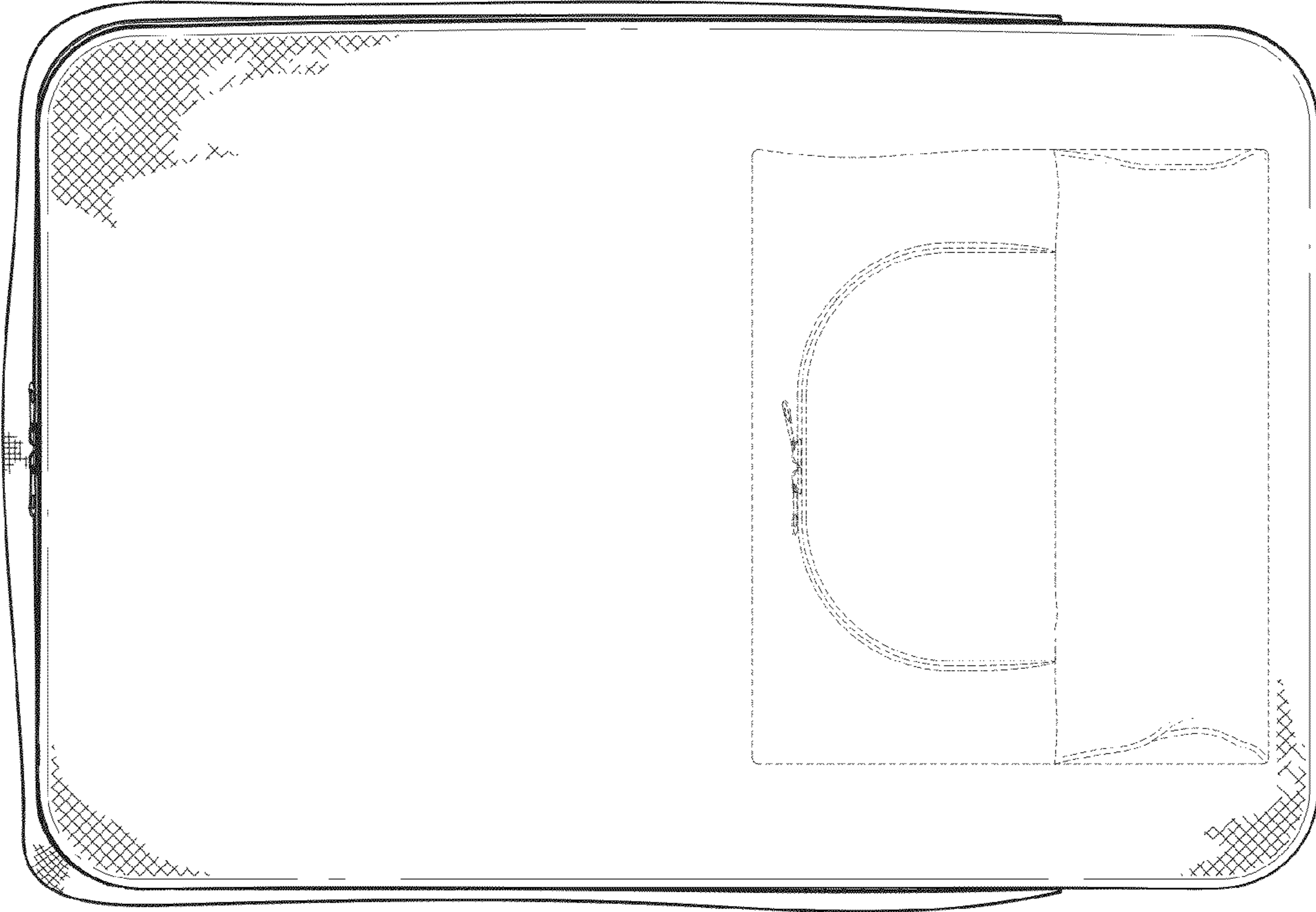


FIG. 2

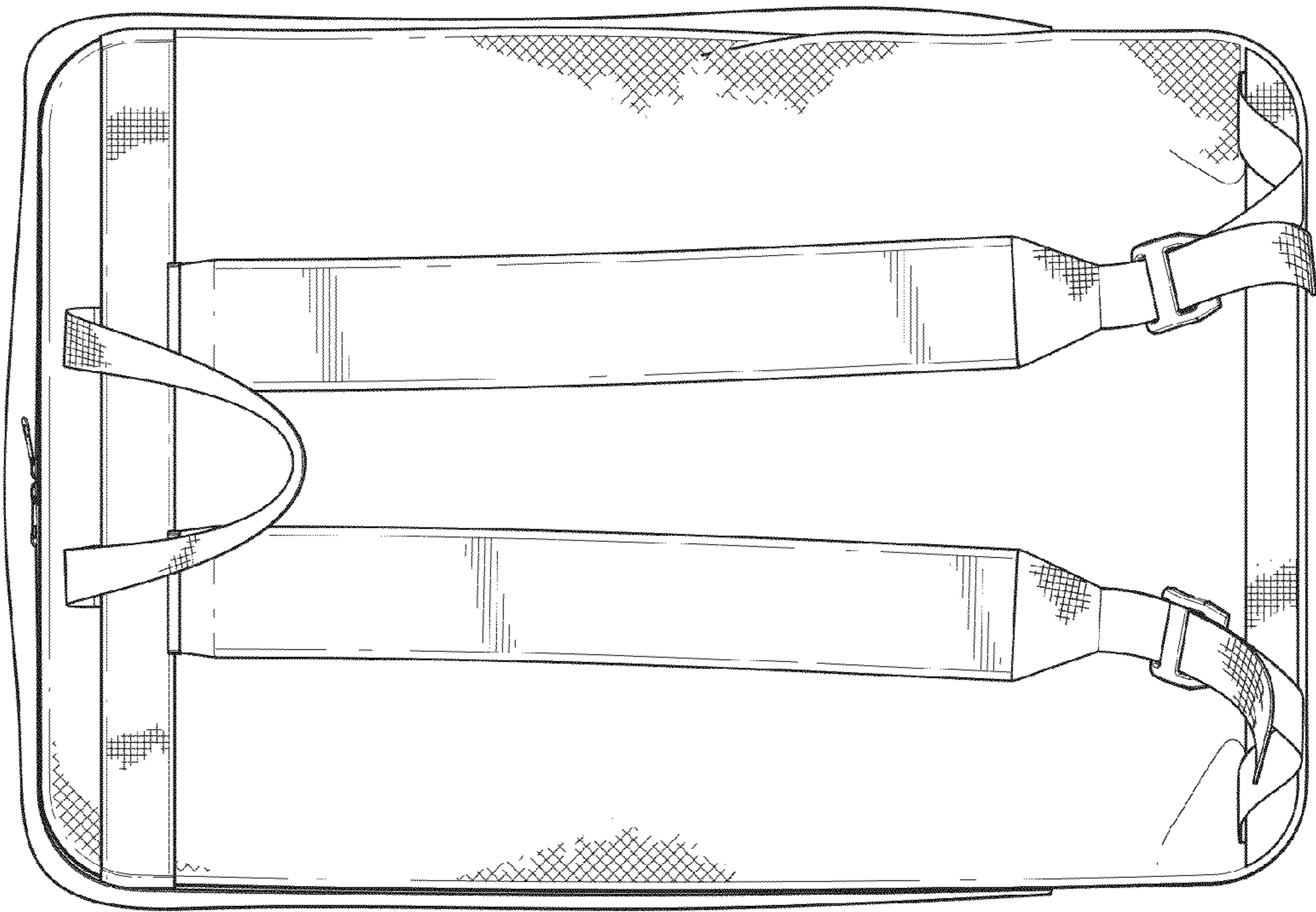


FIG. 3

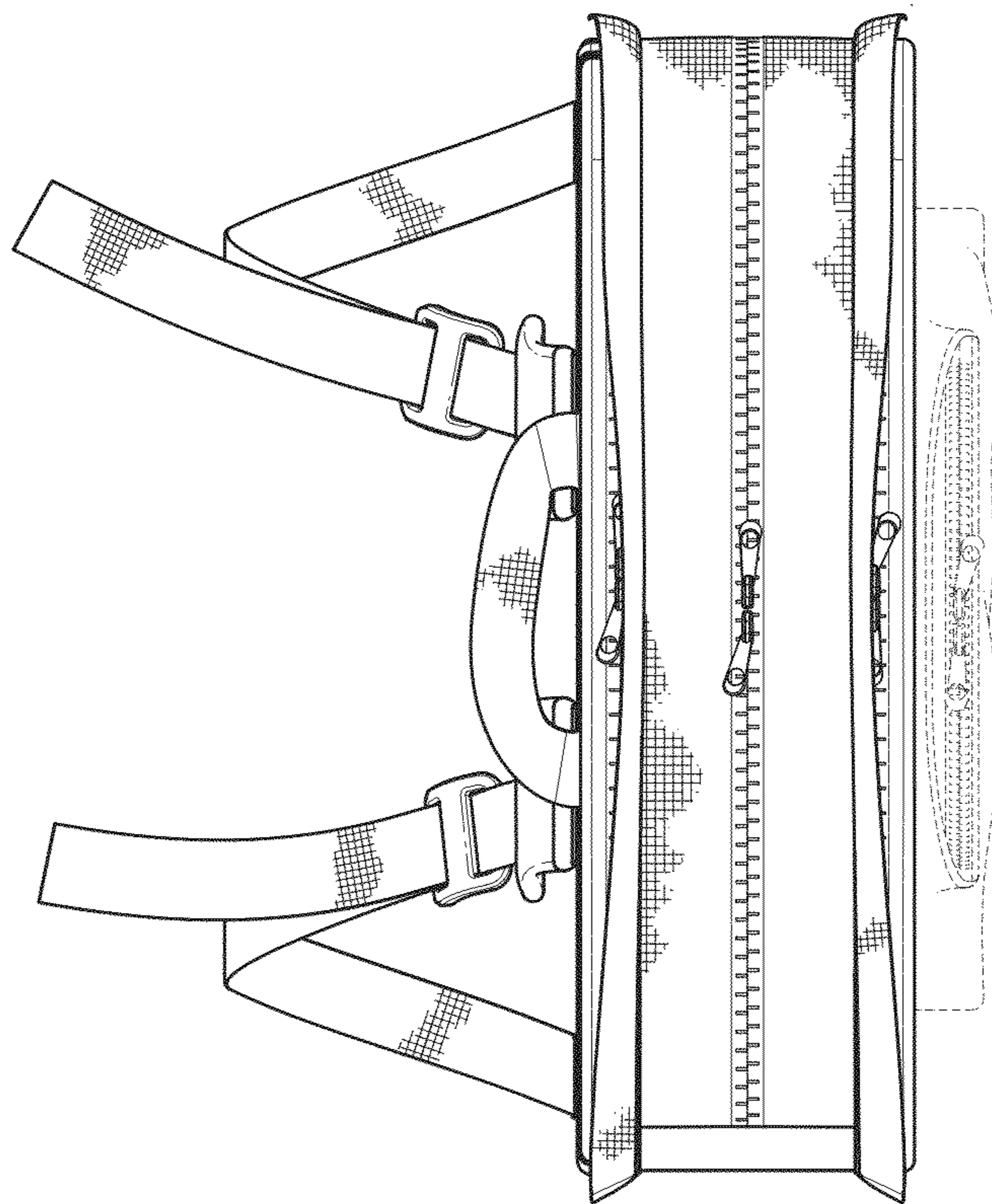


FIG. 4

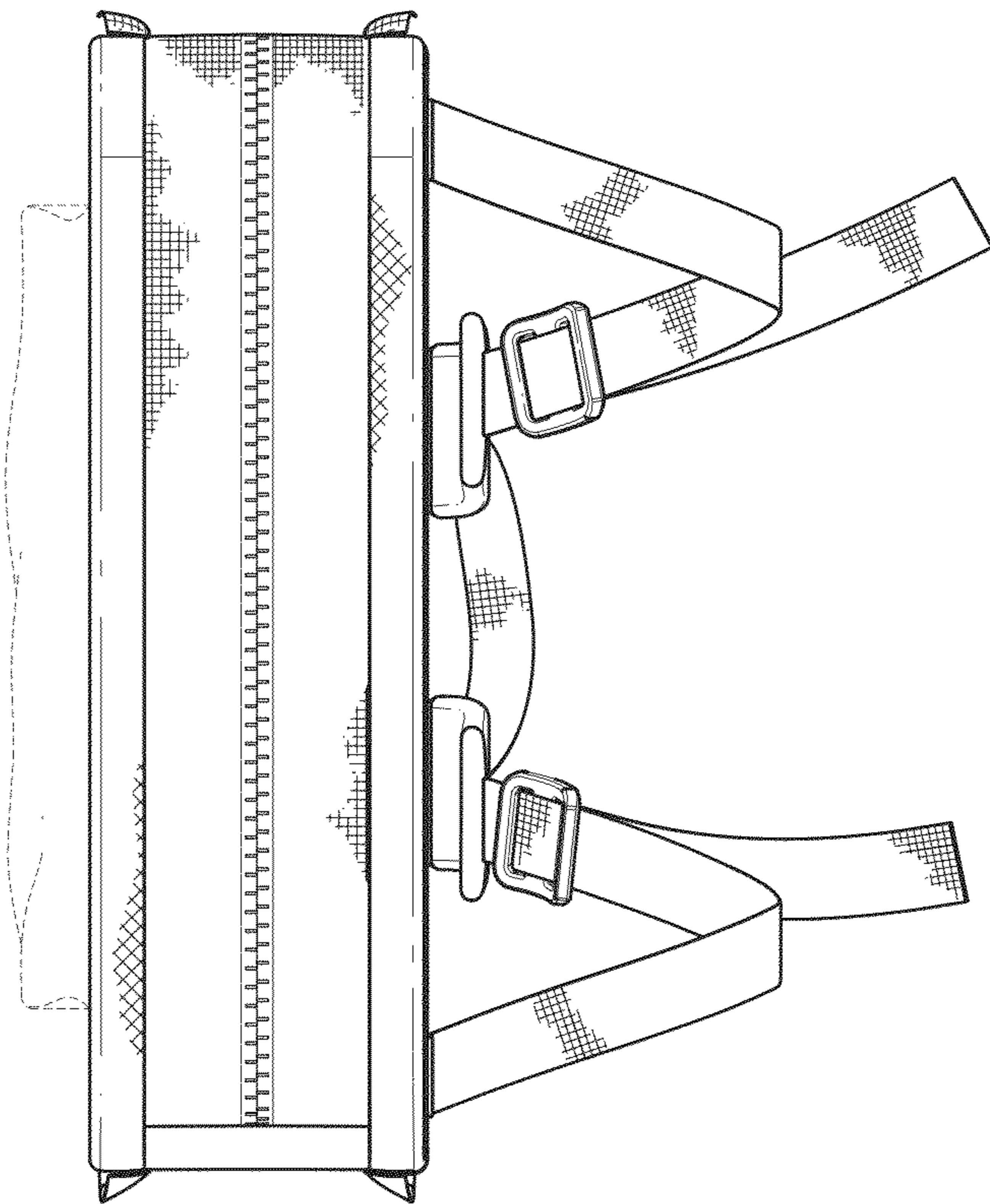


FIG. 5

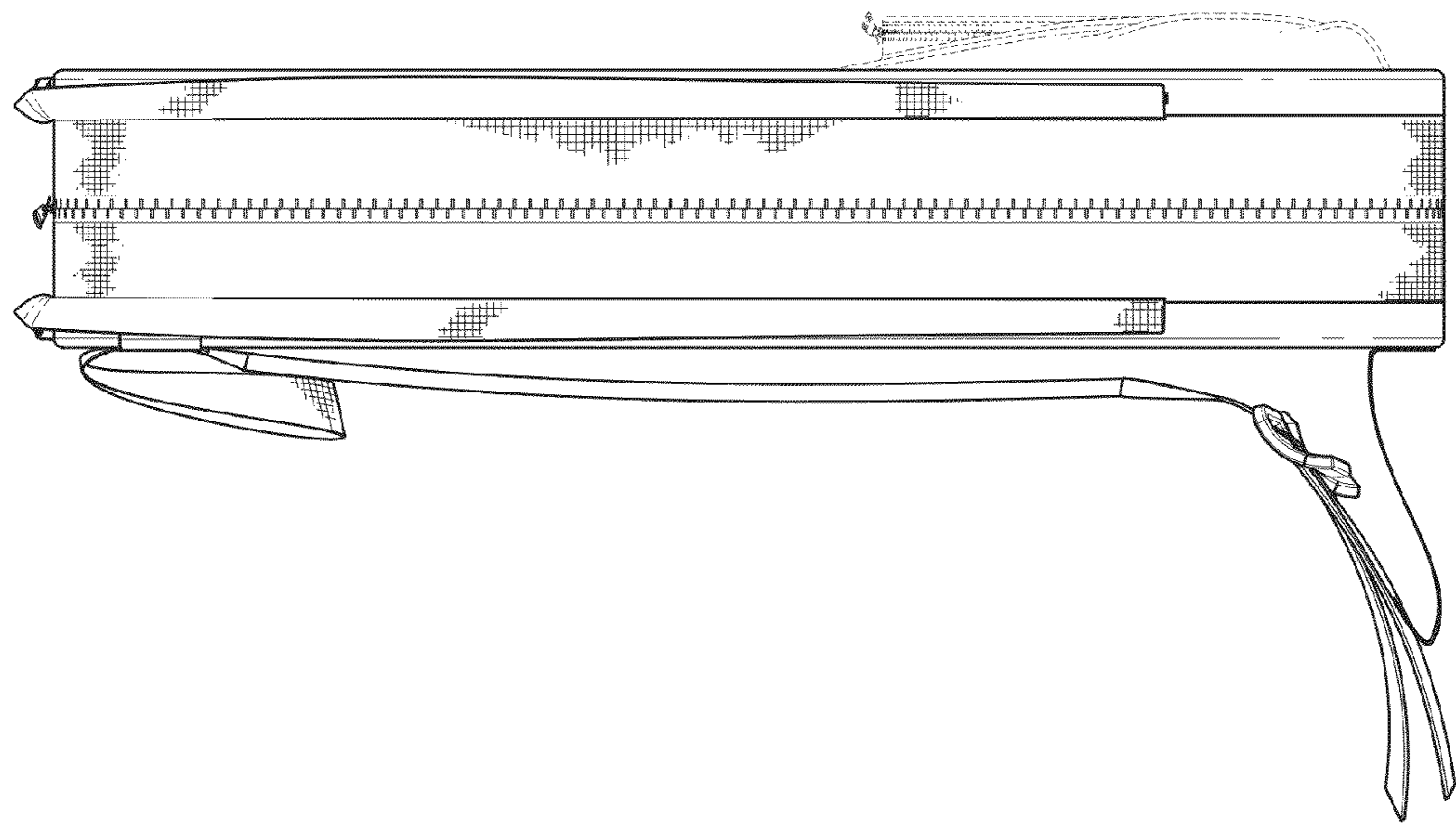


FIG. 6

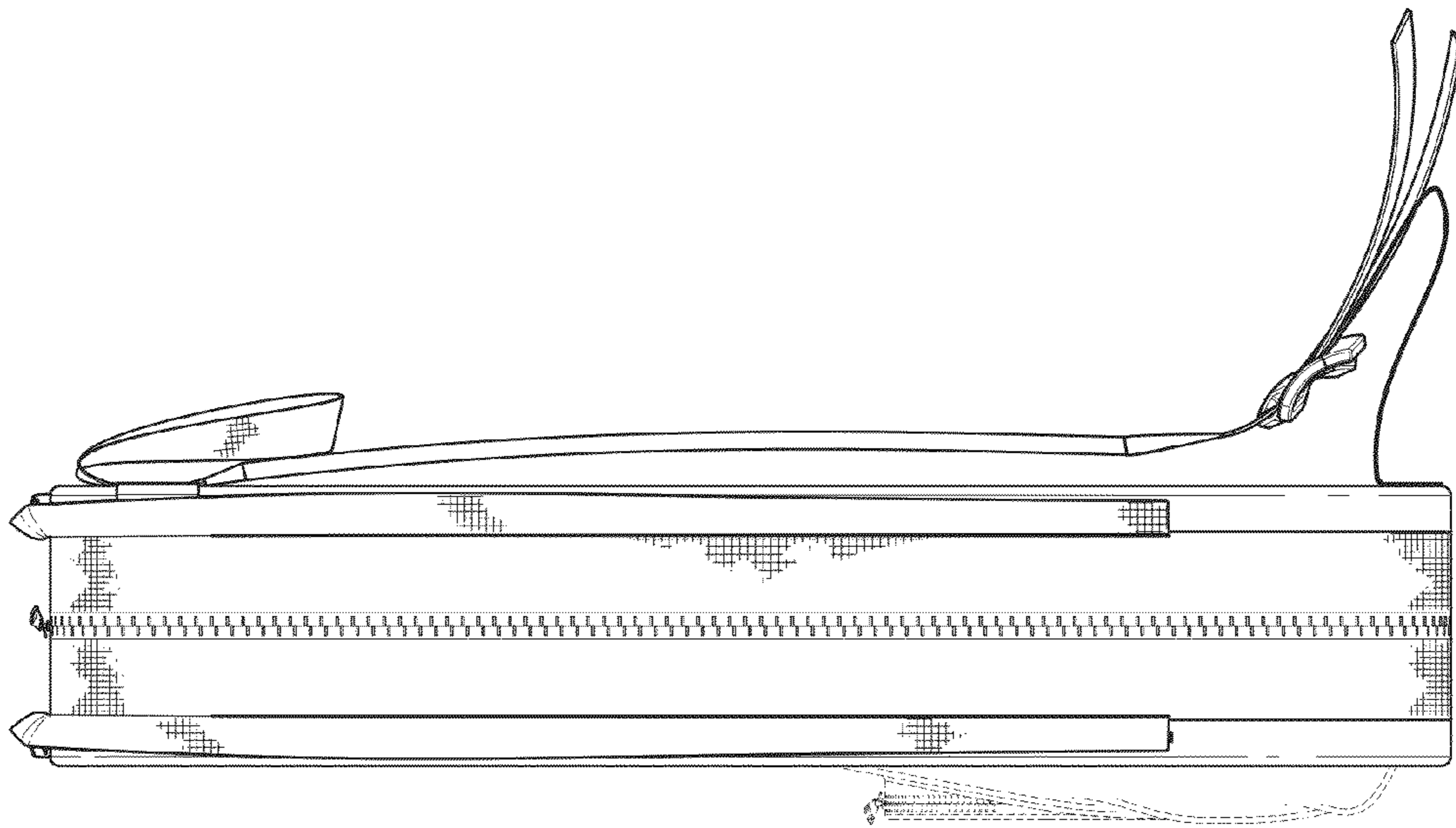


FIG. 7

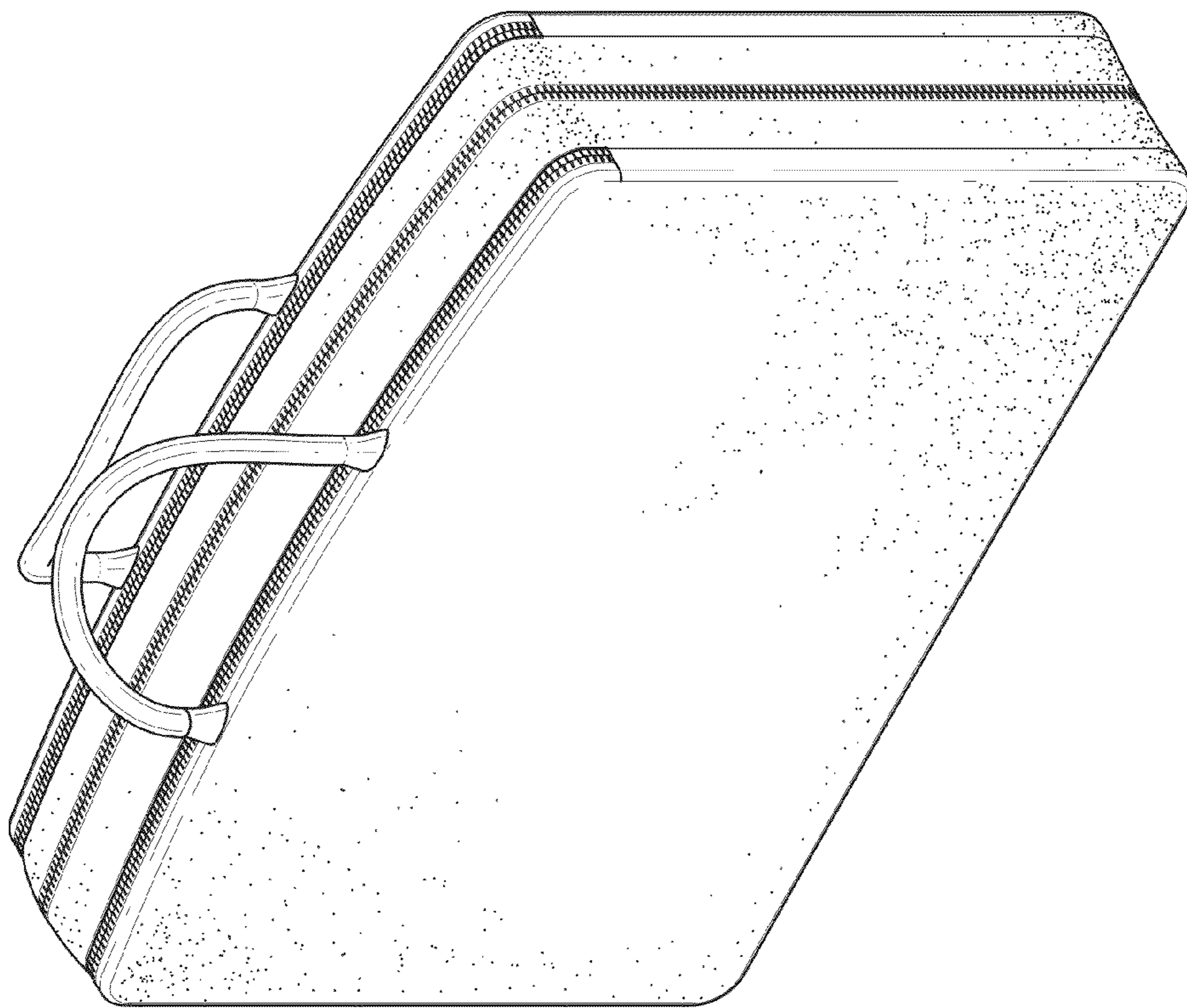


FIG. 8

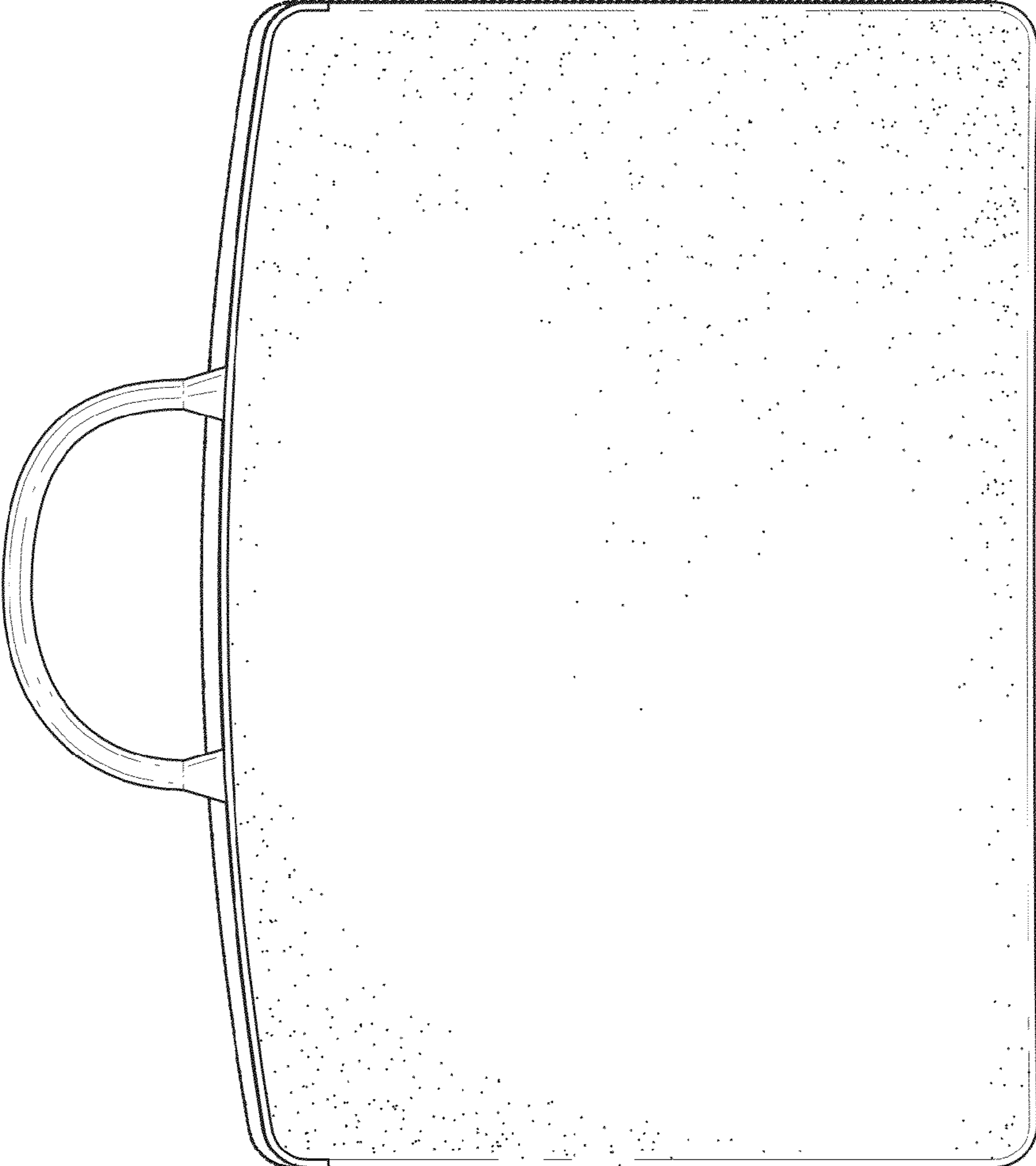


FIG. 9

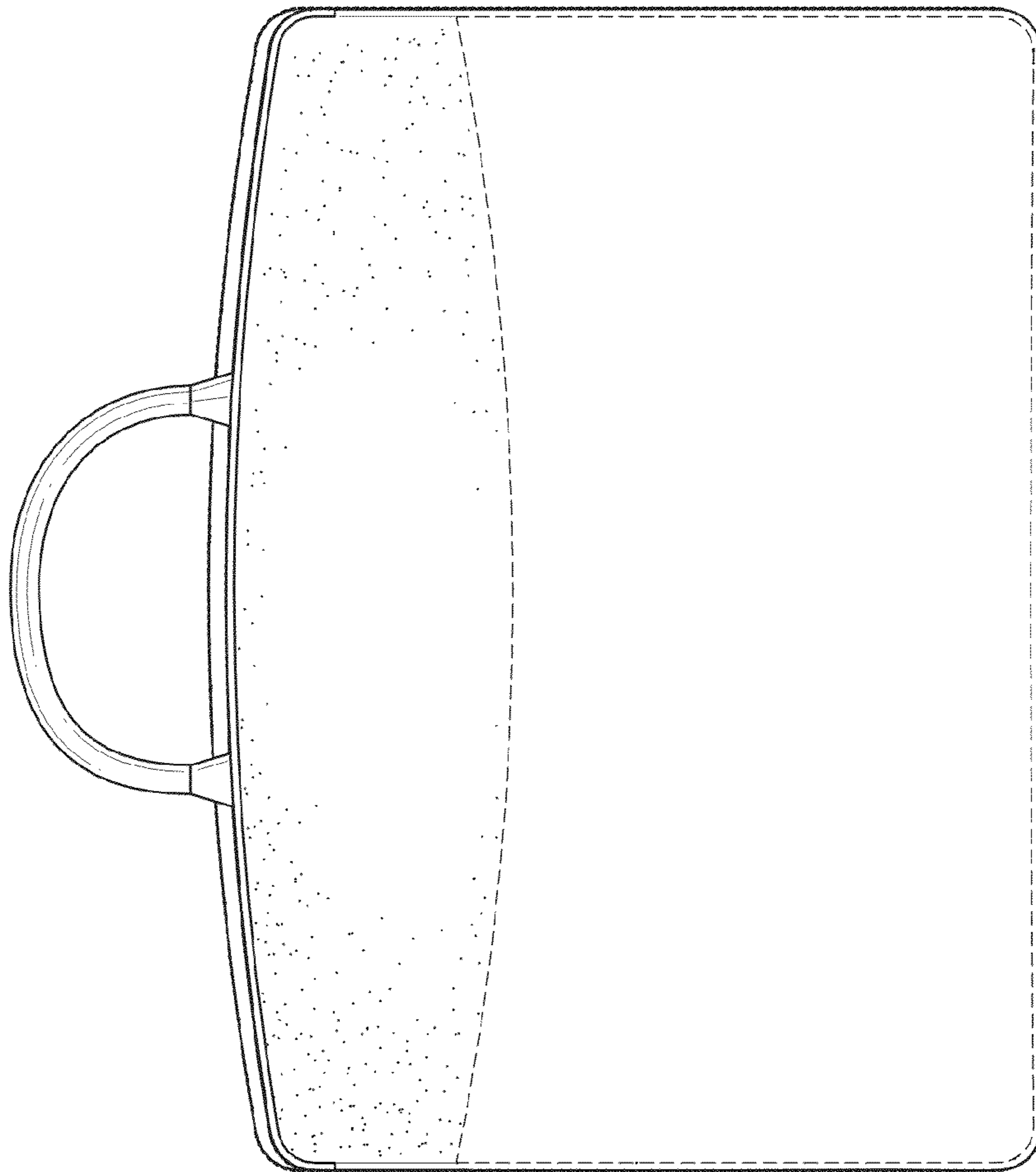


FIG. 10

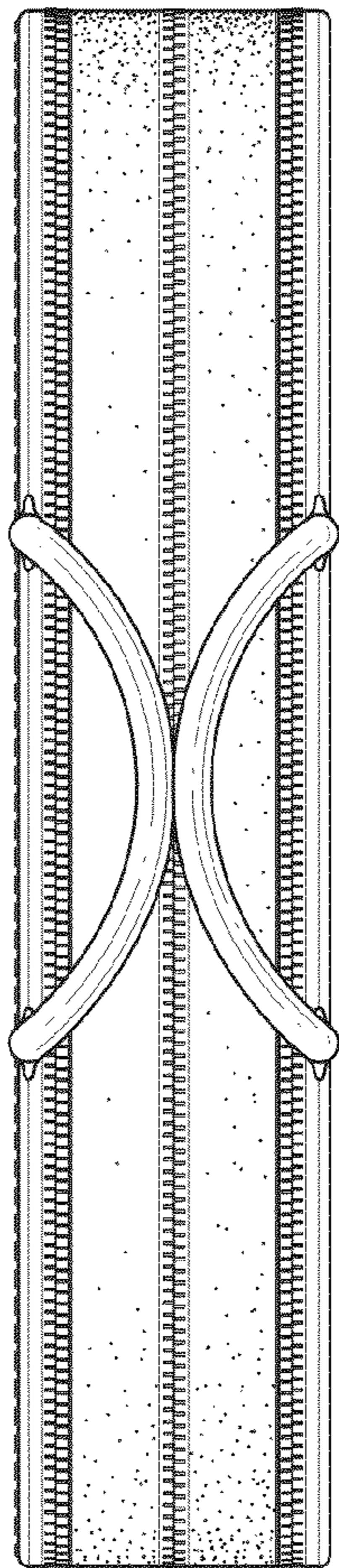


FIG. 11

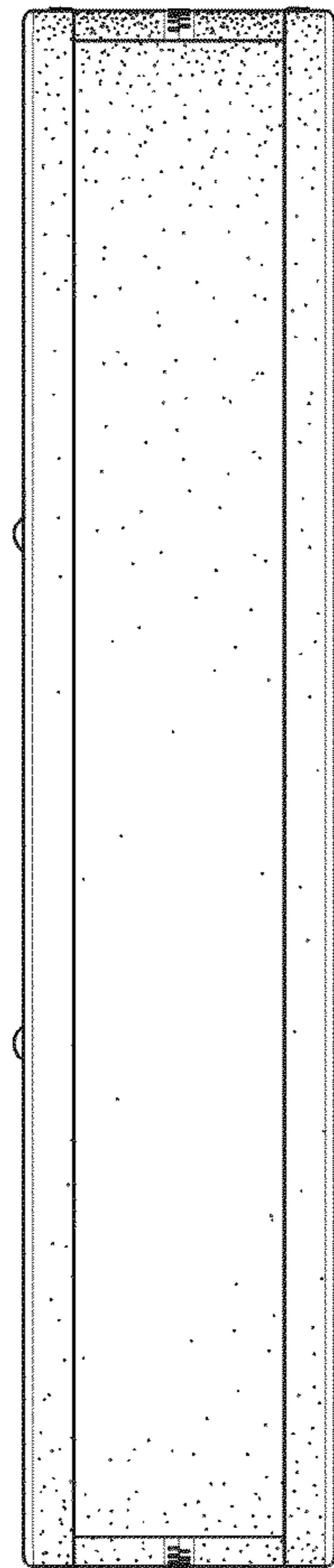


FIG. 12

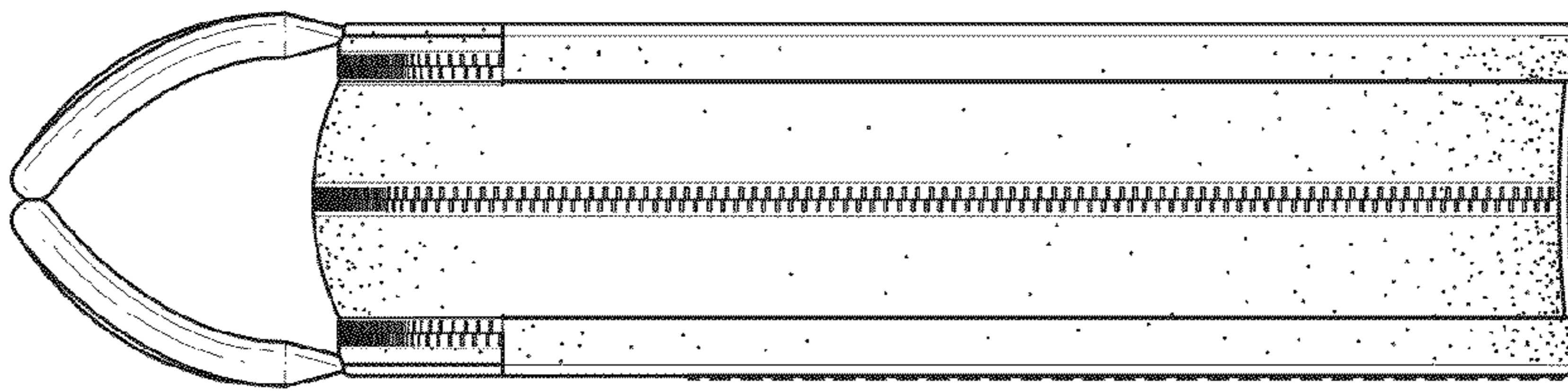


FIG. 14

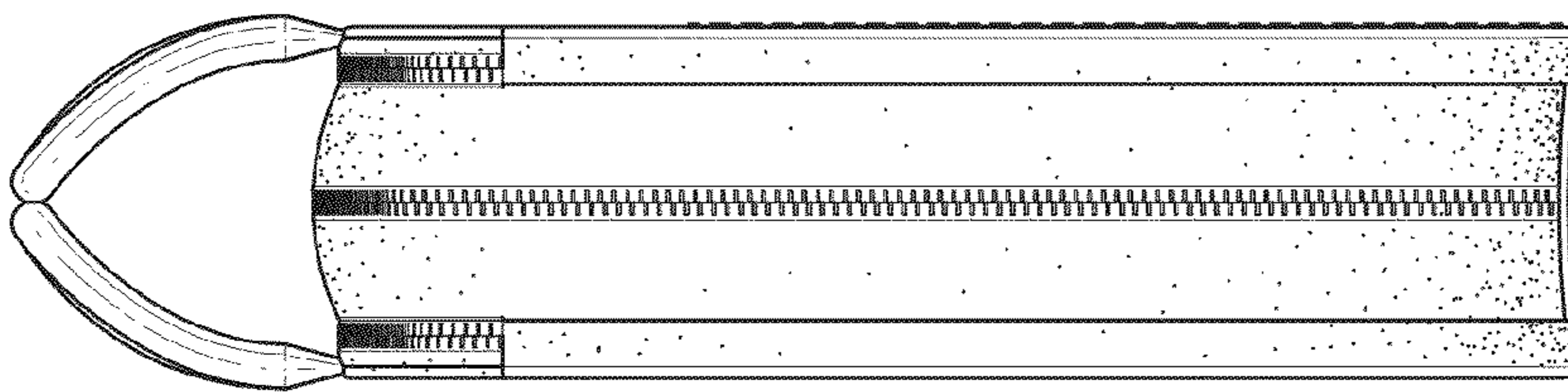


FIG. 13