

US00D690483S

(12) **United States Design Patent**
Renz et al.

(10) **Patent No.:** **US D690,483 S**

(45) **Date of Patent:** **** Sep. 24, 2013**

(54) **DRYING RACK**

(75) Inventors: **Charles Renz**, Briarcliff Manor, NY
(US); **Matthew Esecson**, Kailua, HI
(US); **William Wear**, Amherst, MA (US)

(73) Assignee: **Playtex Products, LLC.**, Shelton, CT
(US)

(**) Term: **14 Years**

(21) Appl. No.: **29/427,531**

(22) Filed: **Jul. 19, 2012**

(51) **LOC (9) Cl.** **07-05**

(52) **U.S. Cl.**
USPC **D32/55**

(58) **Field of Classification Search**
USPC D32/55, 276, 3; D6/510, 525; D30/133;
211/41.5, 41.4, 41.3, 41.8; 361/679.4;
312/311, 333, 334.4; D7/354, 629
See application file for complete search history.

(56) **References Cited**

U.S. PATENT DOCUMENTS

D295,125 S *	4/1988	Chap	D7/601
D371,137 S *	6/1996	Kriegh	D14/253
D396,160 S *	7/1998	Huang	D6/567
D403,869 S *	1/1999	Harmon et al.	D6/320

D411,931 S *	7/1999	Hartmann et al.	D6/553
D446,369 S *	8/2001	Smith et al.	D32/55
D518,936 S *	4/2006	Yang et al.	D32/55
D524,146 S *	7/2006	Jolson	D8/373
D532,948 S *	11/2006	Gillisie	D32/55
D549,467 S *	8/2007	Holt	D6/320
D566,362 S *	4/2008	Peet	D32/58
7,669,721 B2 *	3/2010	Kemper et al.	211/41.3
RE43,349 E *	5/2012	Dunn et al.	34/104

* cited by examiner

Primary Examiner — Austin Murphy

(74) *Attorney, Agent, or Firm* — Playtex Products, LLC

(57) **CLAIM**

We claim the ornamental design for the drying rack, as shown and described.

DESCRIPTION

FIG. 1 is an upper perspective view of a drying rack.

FIG. 2 is an upper perspective view thereof.

FIG. 3 is a front view thereof.

FIG. 4 is a cross-sectional view of FIG. 3.

FIG. 5 is a bottom view thereof.

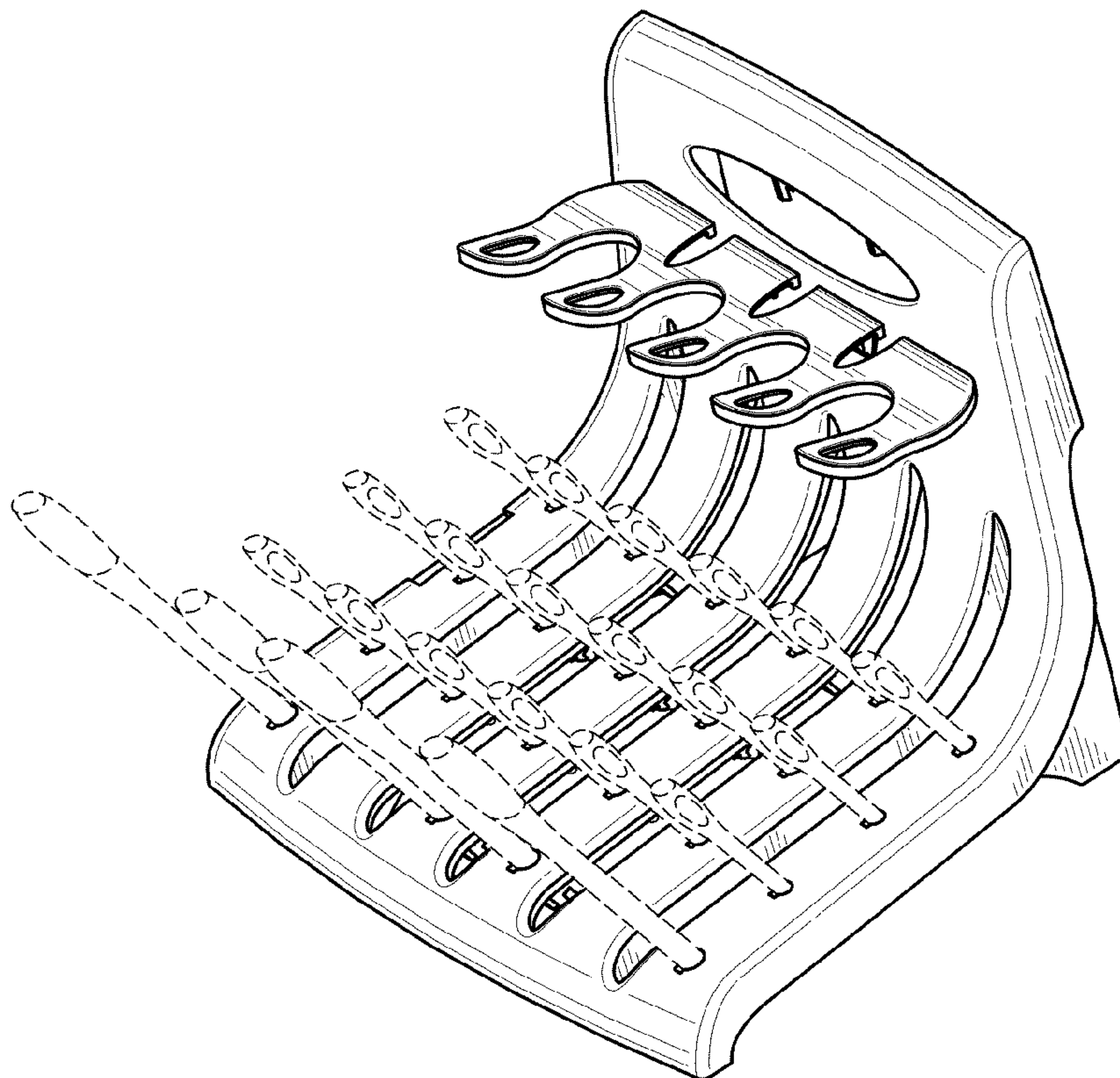
FIG. 6 is a rear view of FIG. 3.

FIG. 7 is a left-side view of FIG. 3; and,

FIG. 8 is a right side view of FIG. 3.

The broken lines in the figures depict environmental subject matter only and form no part of the claimed design.

1 Claim, 5 Drawing Sheets



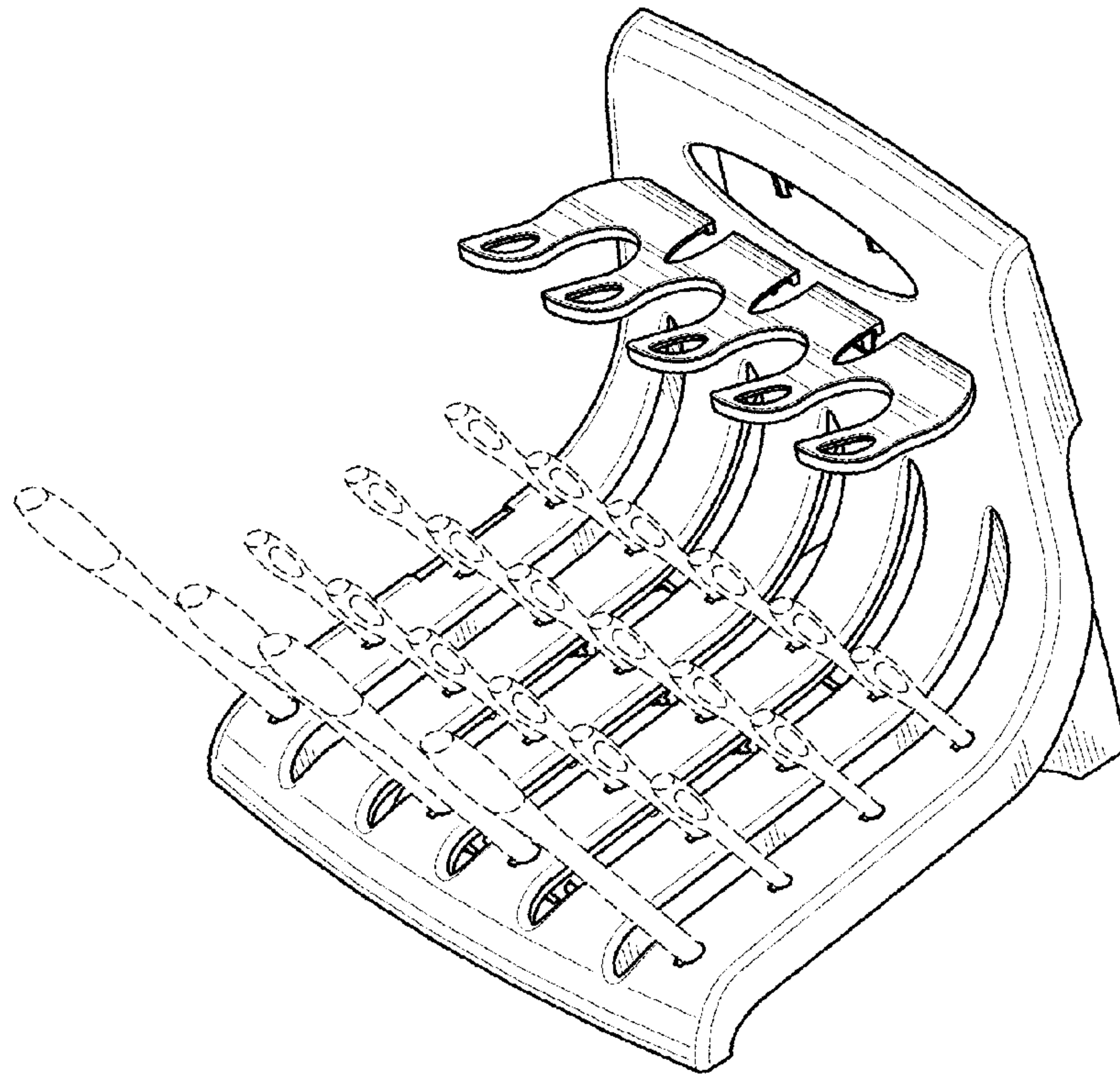


FIG. 1

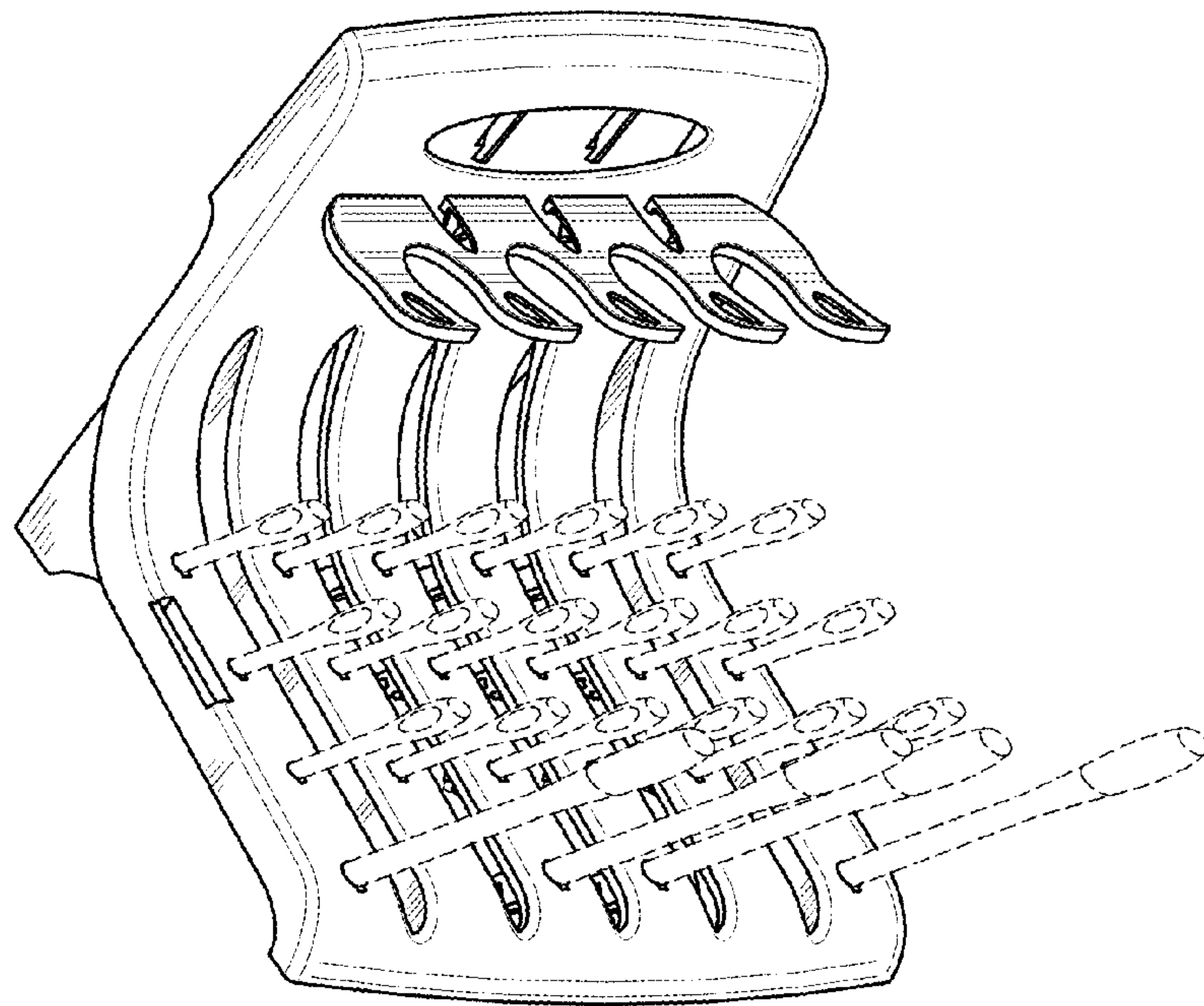


FIG. 2

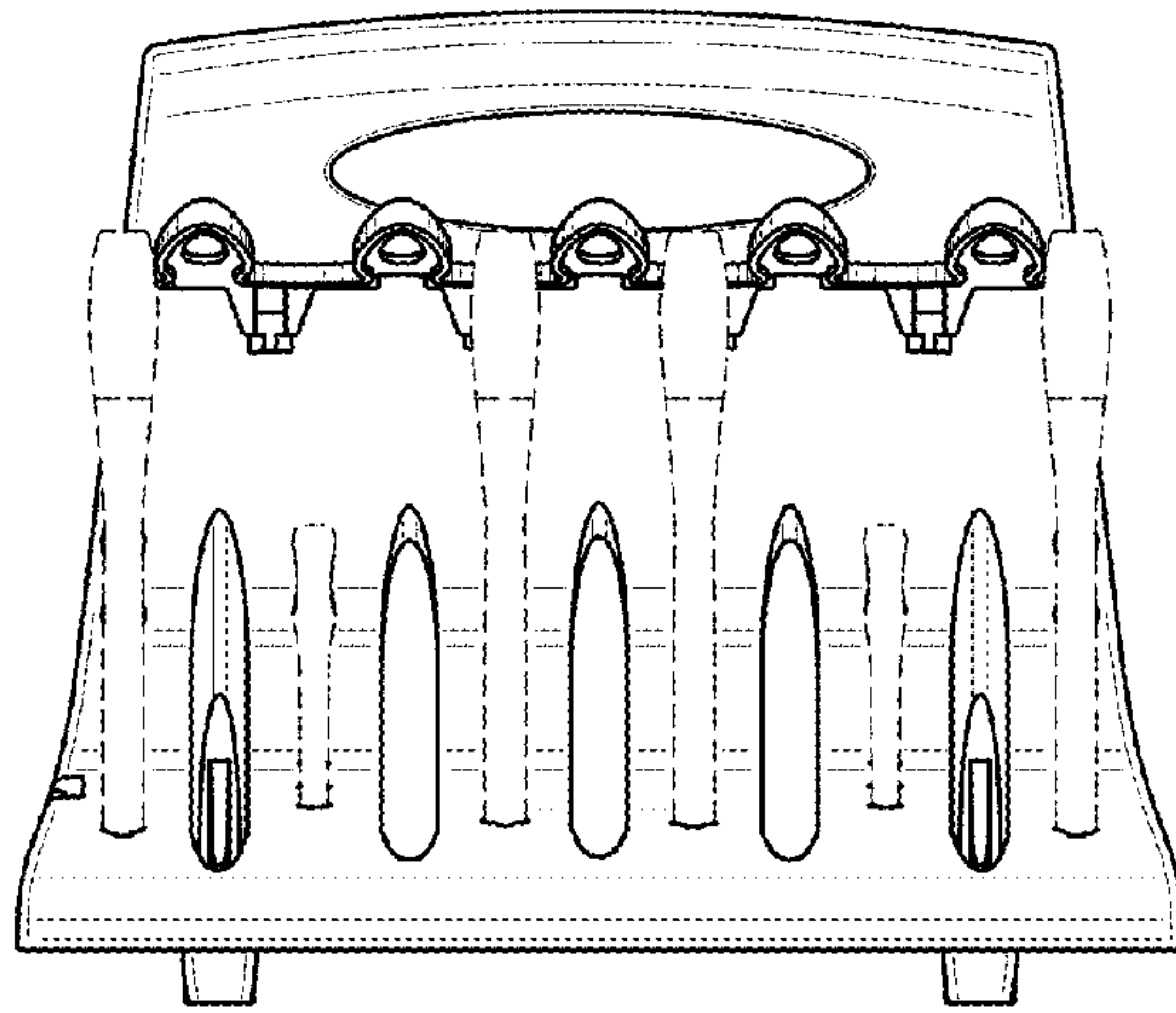


FIG. 3

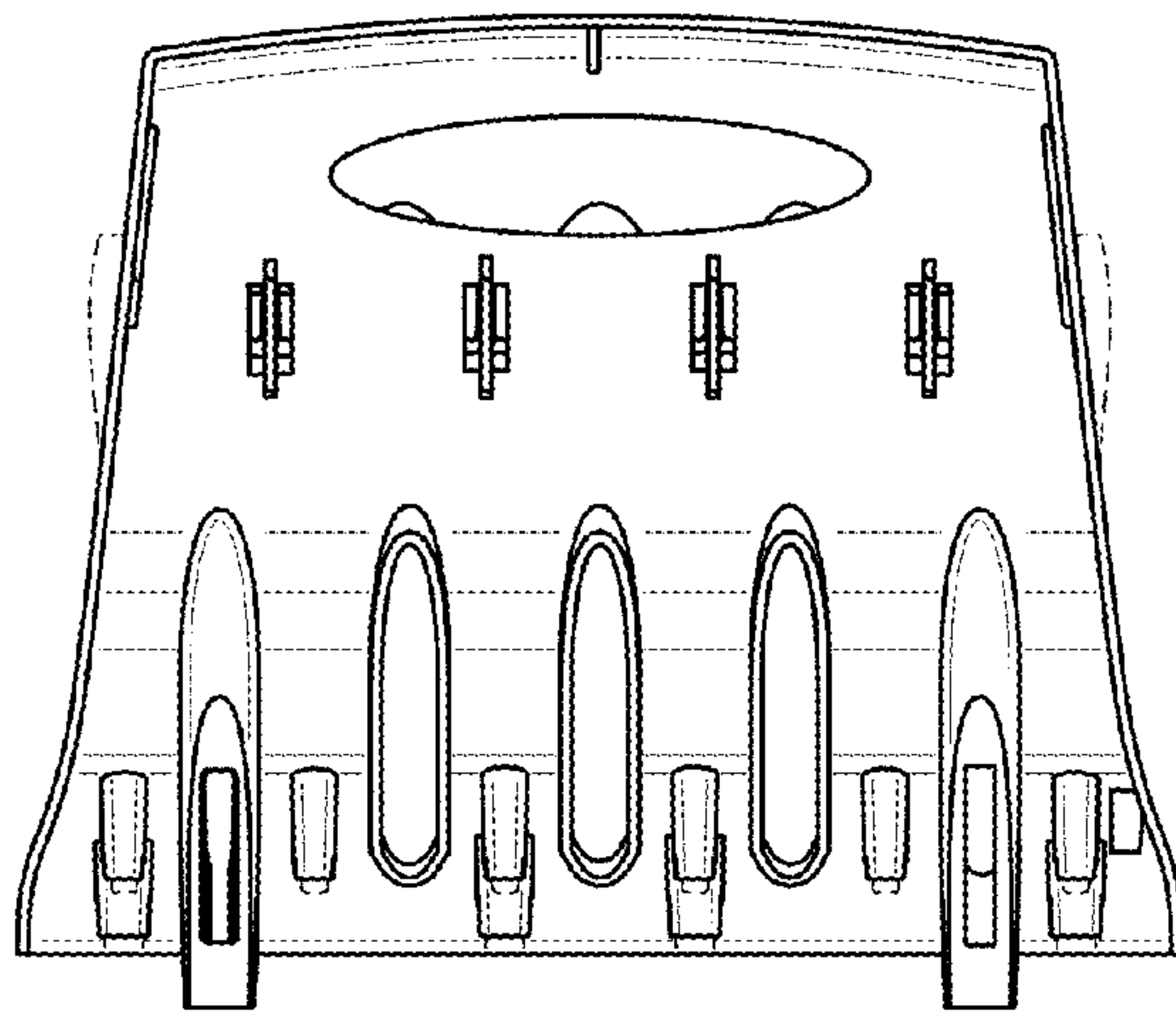


FIG. 4

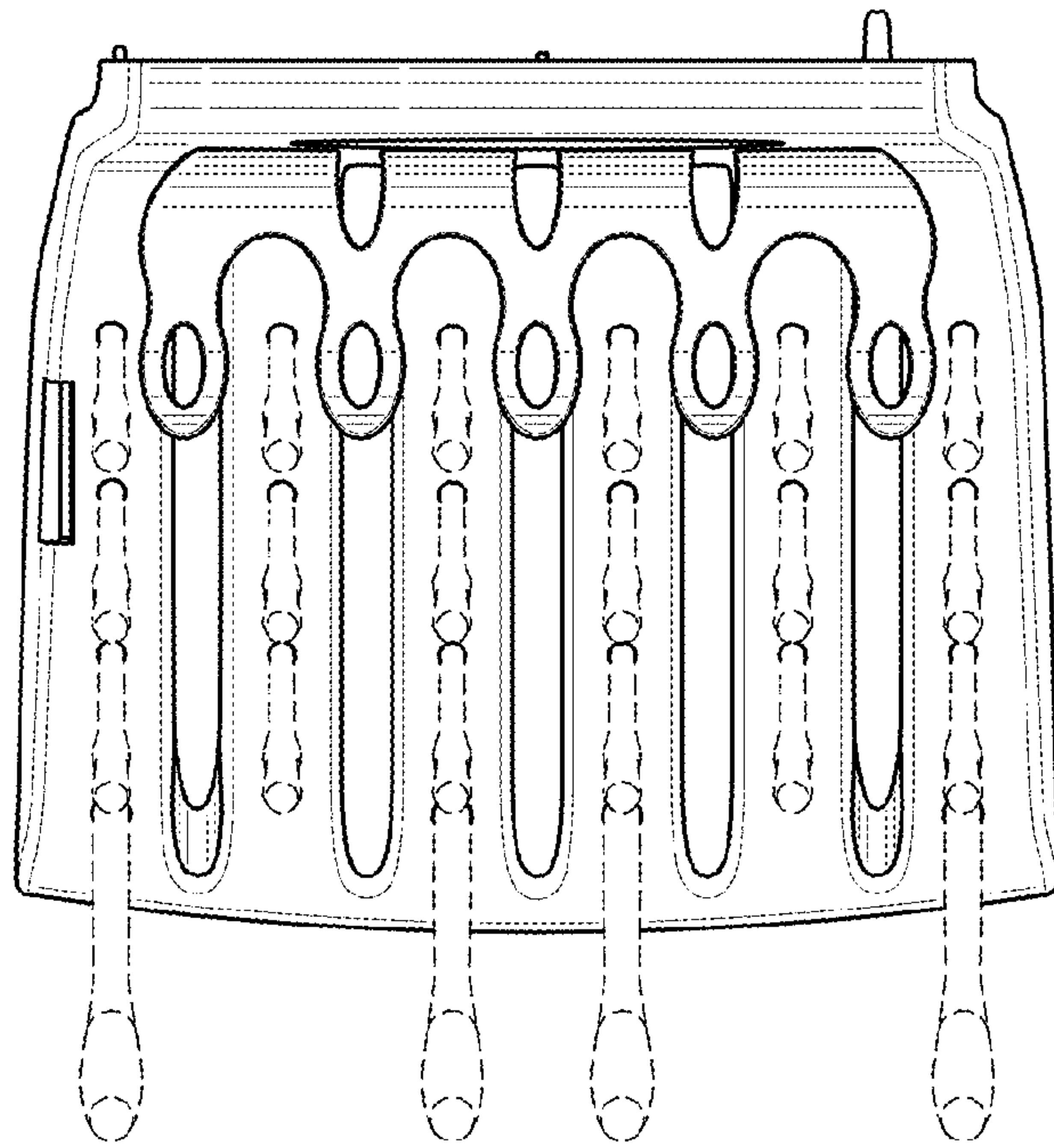


FIG. 5

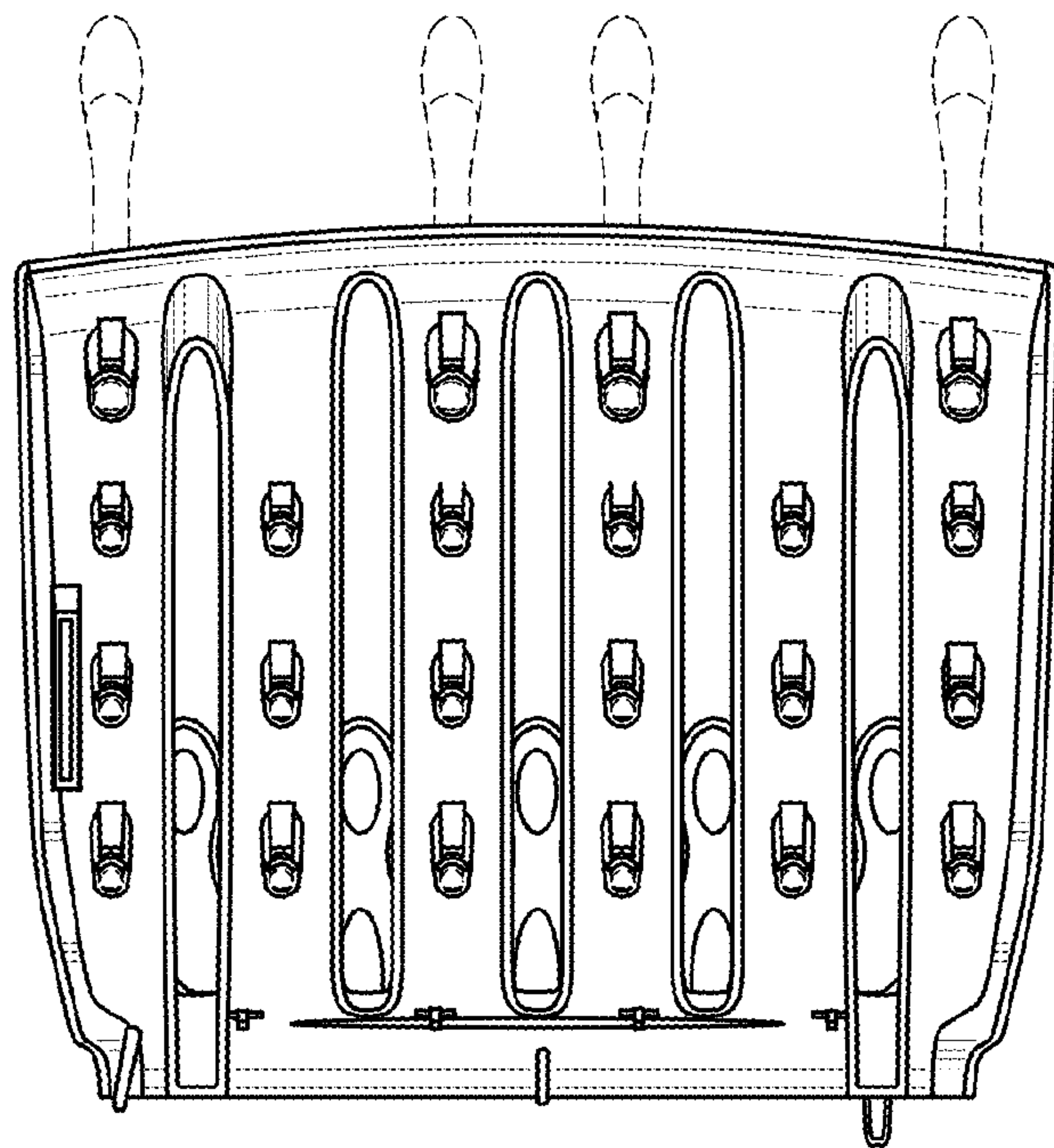


FIG. 6

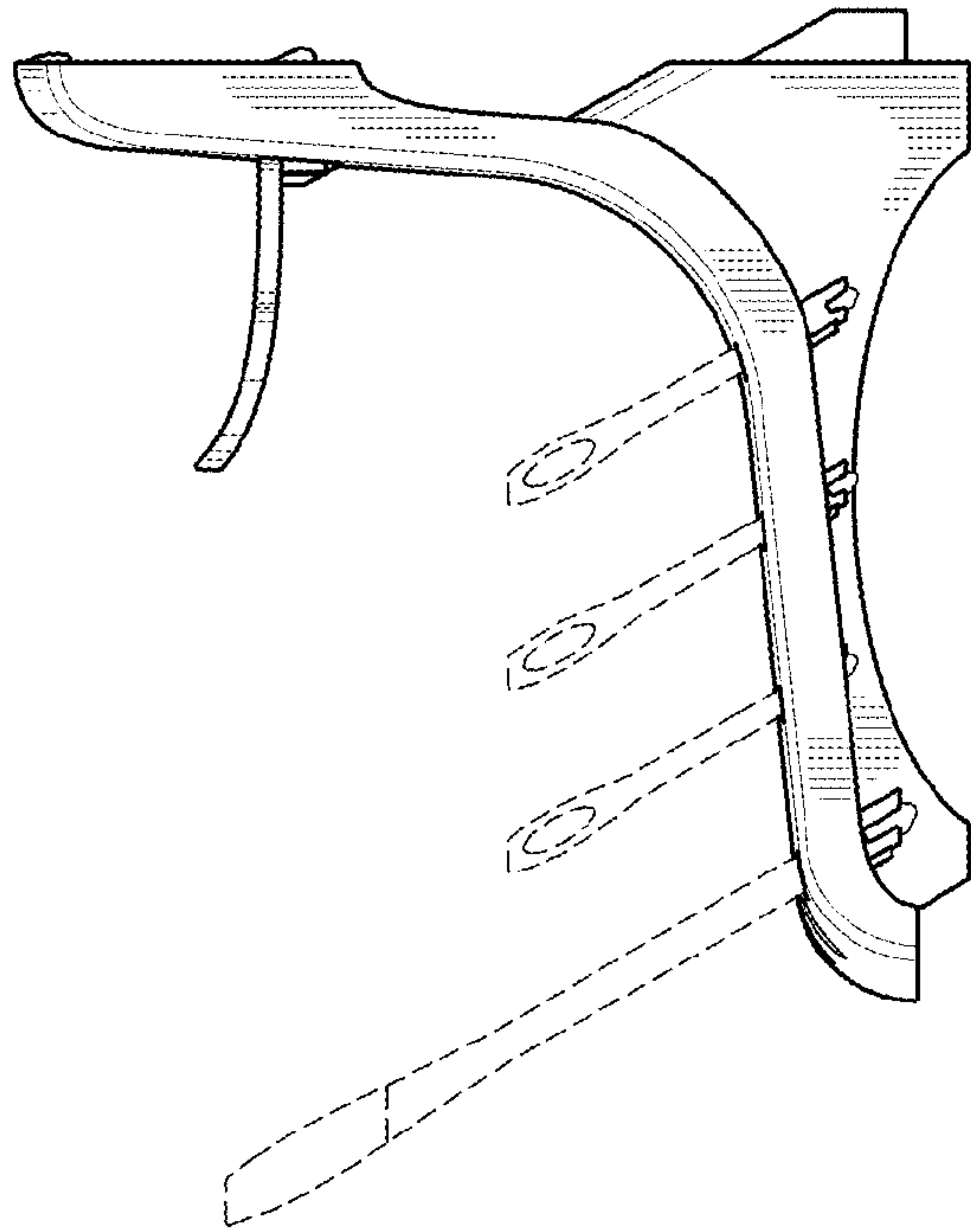


FIG. 8

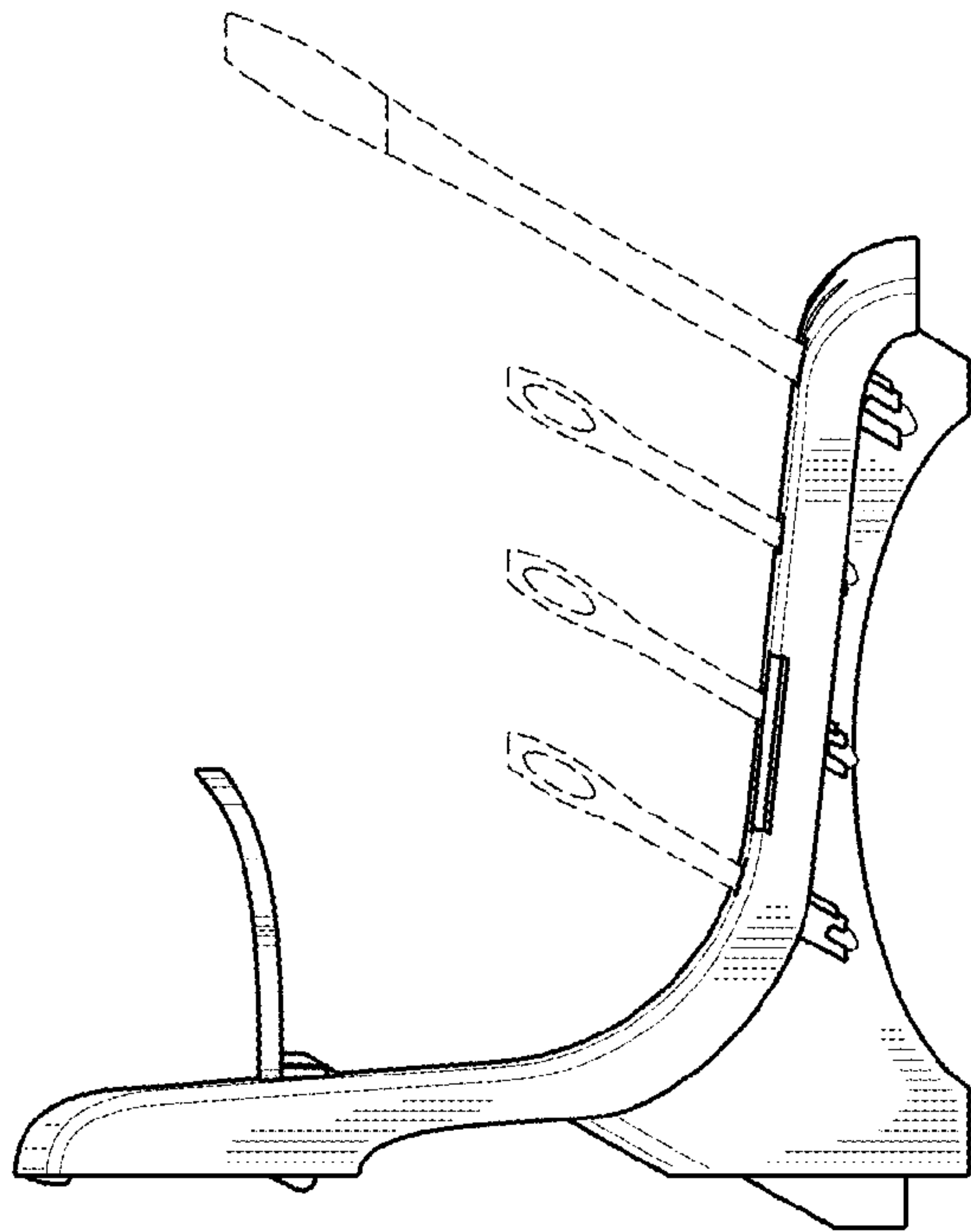


FIG. 7