



US00D690481S

(12) **United States Design Patent**
Roehm et al.

(10) **Patent No.:** **US D690,481 S**

(45) **Date of Patent:** **** Sep. 24, 2013**

(54) **DISHWAND HANDLE**

(75) Inventors: **Kayo M. Roehm**, Shoreview, MN (US);
Martin E. Broen, Milan (IT); **Johannes Bayer**,
Balgach (CH); **Martin I. Franzen**, Milan (IT)

(73) Assignee: **3M Innovative Properties Company**,
St. Paul, MN (US)

(**) Term: **14 Years**

(21) Appl. No.: **29/426,781**

(22) Filed: **Jul. 10, 2012**

(51) **LOC (9) Cl.** **04-01**

(52) **U.S. Cl.**
USPC **D32/45; D32/40**

(58) **Field of Classification Search**
USPC **D32/40-45; 15/244.1-244.4, 229.11;**
D4/138

See application file for complete search history.

(56) **References Cited**

U.S. PATENT DOCUMENTS

D330,788 S * 11/1992 Berti D32/45
D446,898 S * 8/2001 Brewer et al. D32/45
D493,962 S * 8/2004 Dotterman et al. D4/138
D511,626 S * 11/2005 Hay et al. D4/138

7,146,676 B2 * 12/2006 Kubes et al. 15/244.1
D549,411 S * 8/2007 McNeeley et al. D32/45
D554,314 S * 10/2007 Kubes et al. D32/45
D559,488 S * 1/2008 Libman et al. D32/45
D600,025 S * 9/2009 Hill et al. D4/114
D605,821 S * 12/2009 Shaanan D32/35
D606,269 S * 12/2009 Treeby et al. D32/40
D649,314 S * 11/2011 Quinlan et al. D32/41

* cited by examiner

Primary Examiner — Robin V Webster

(74) *Attorney, Agent, or Firm* — Irina Hass

(57) **CLAIM**

The ornamental design for a dishwand handle, as shown and described.

DESCRIPTION

FIG. 1 is a perspective view showing the new design for a dishwand handle;

FIG. 2 is a front view thereof, a rear view being a mirror image thereof;

FIG. 3 is a top view thereof;

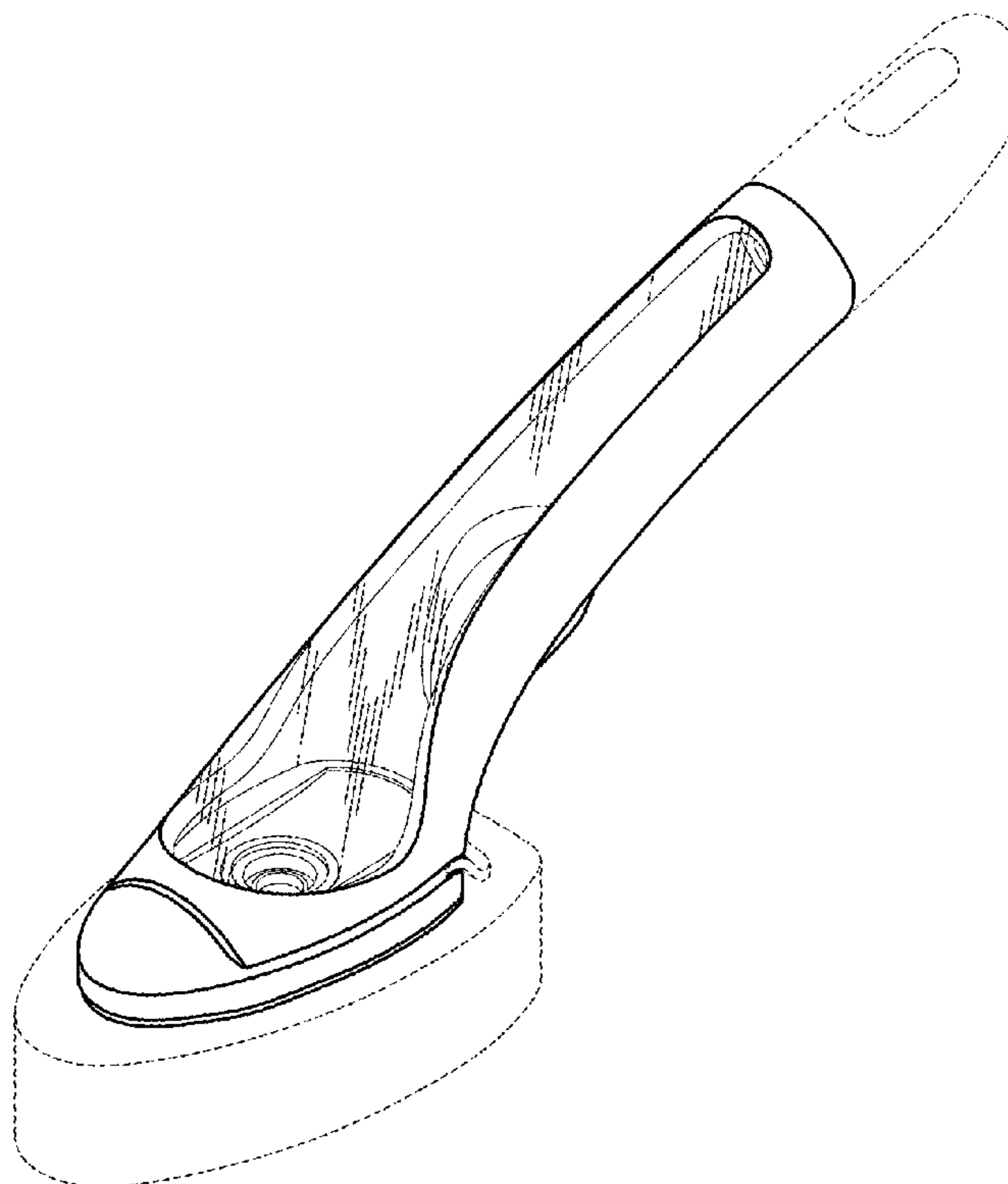
FIG. 4 is a bottom view thereof;

FIG. 5 is a left side view thereof; and,

FIG. 6 is a right side view thereof.

The broken lines in the drawings are shown for illustrative purposes only and form no part of the claimed design.

1 Claim, 2 Drawing Sheets



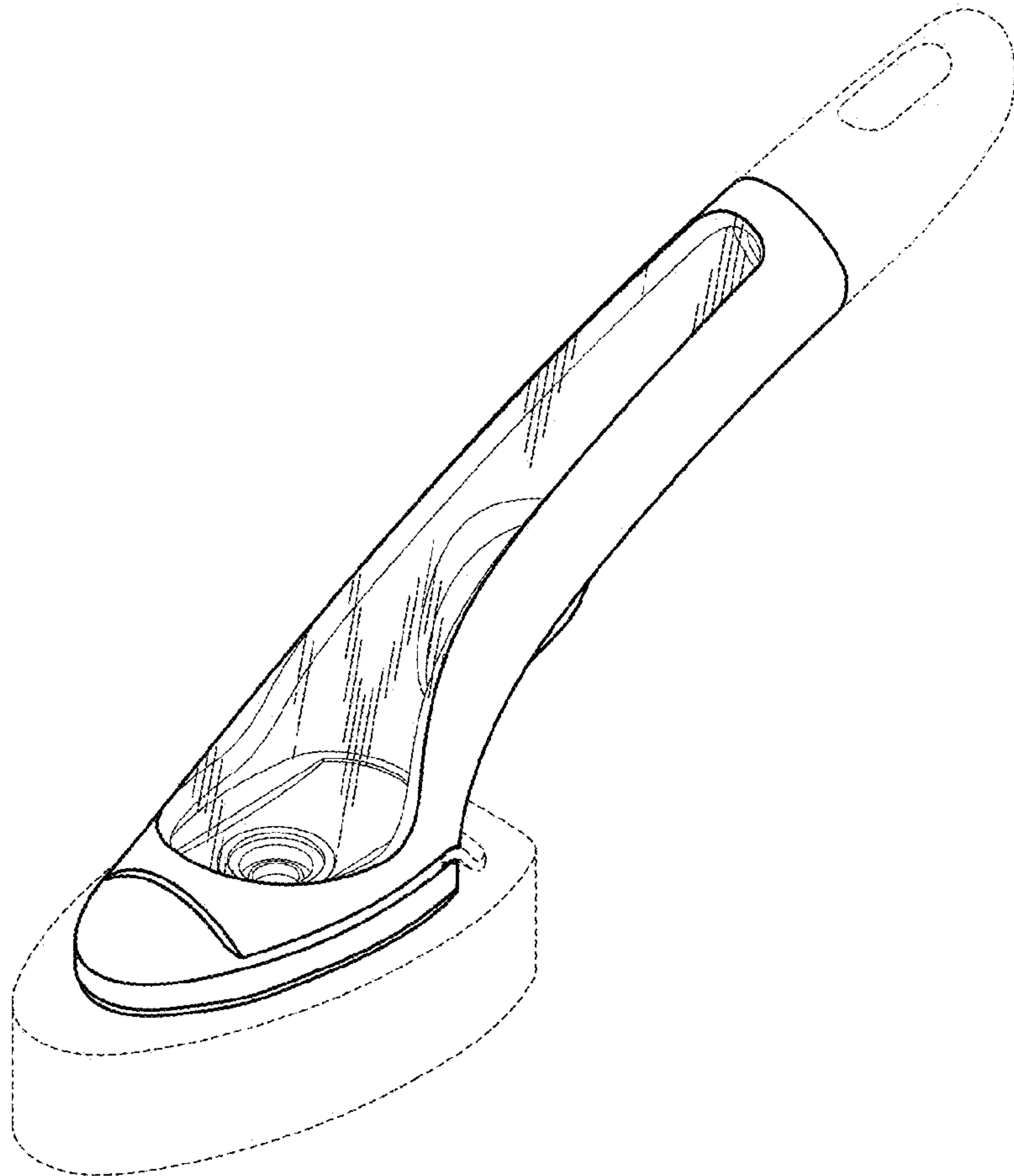


FIG. 1

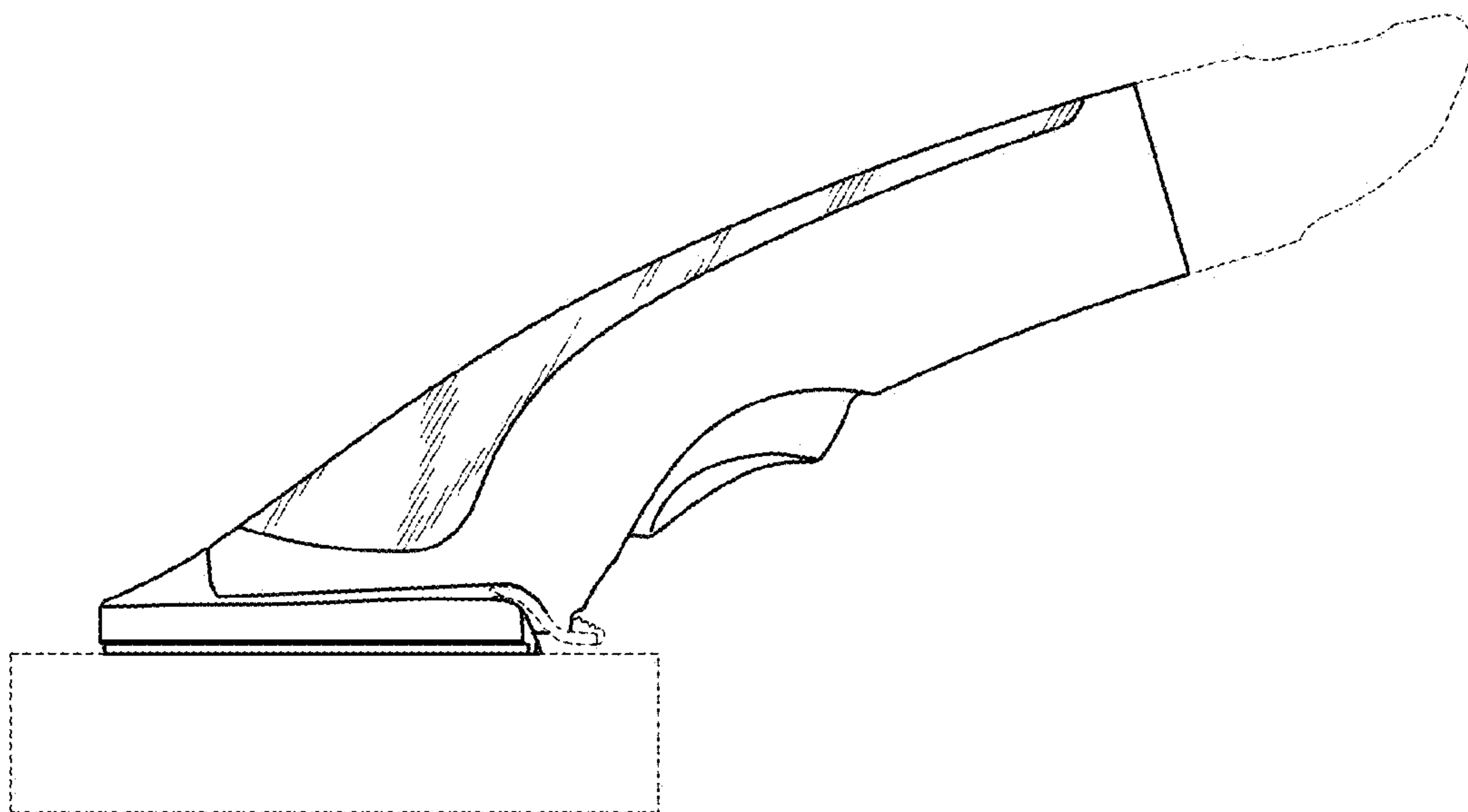


FIG. 2

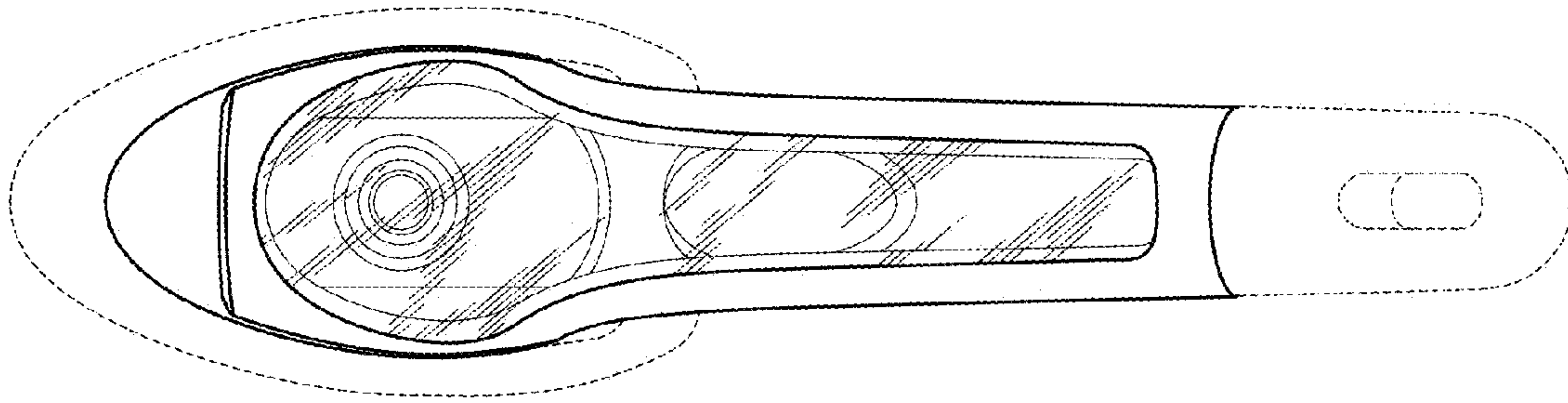


FIG. 3

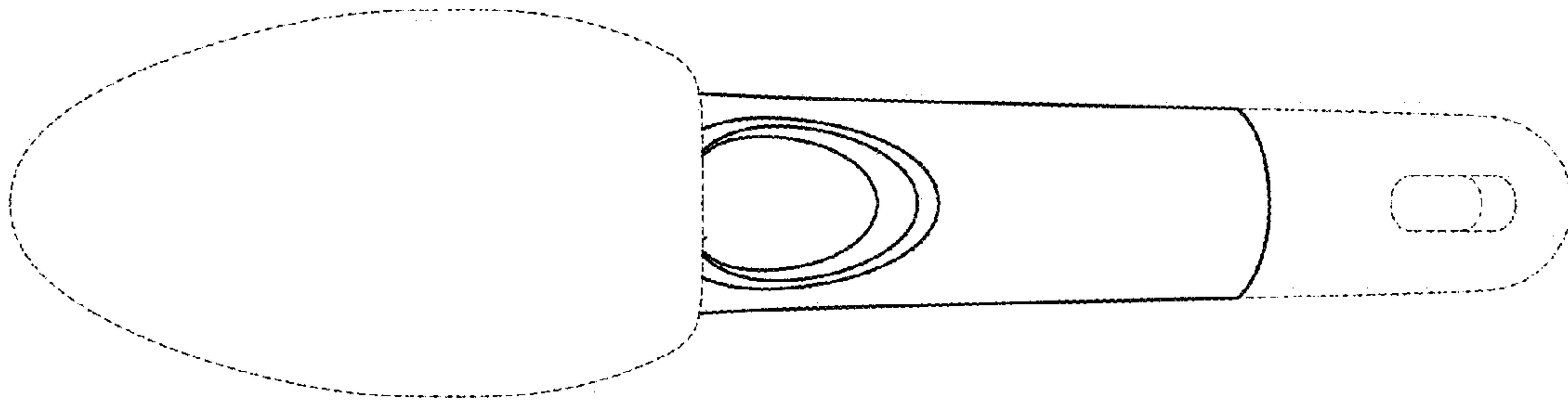


FIG. 4

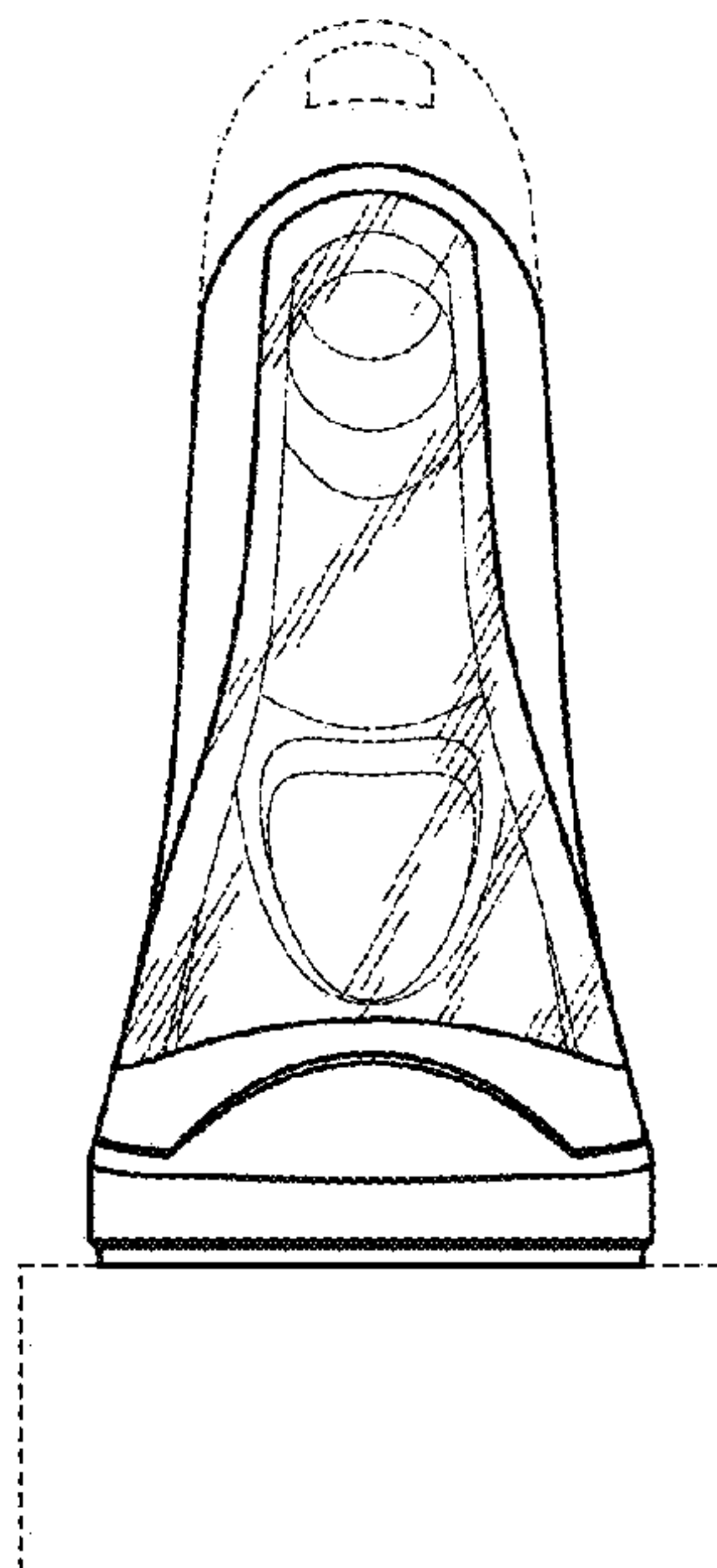


FIG. 5

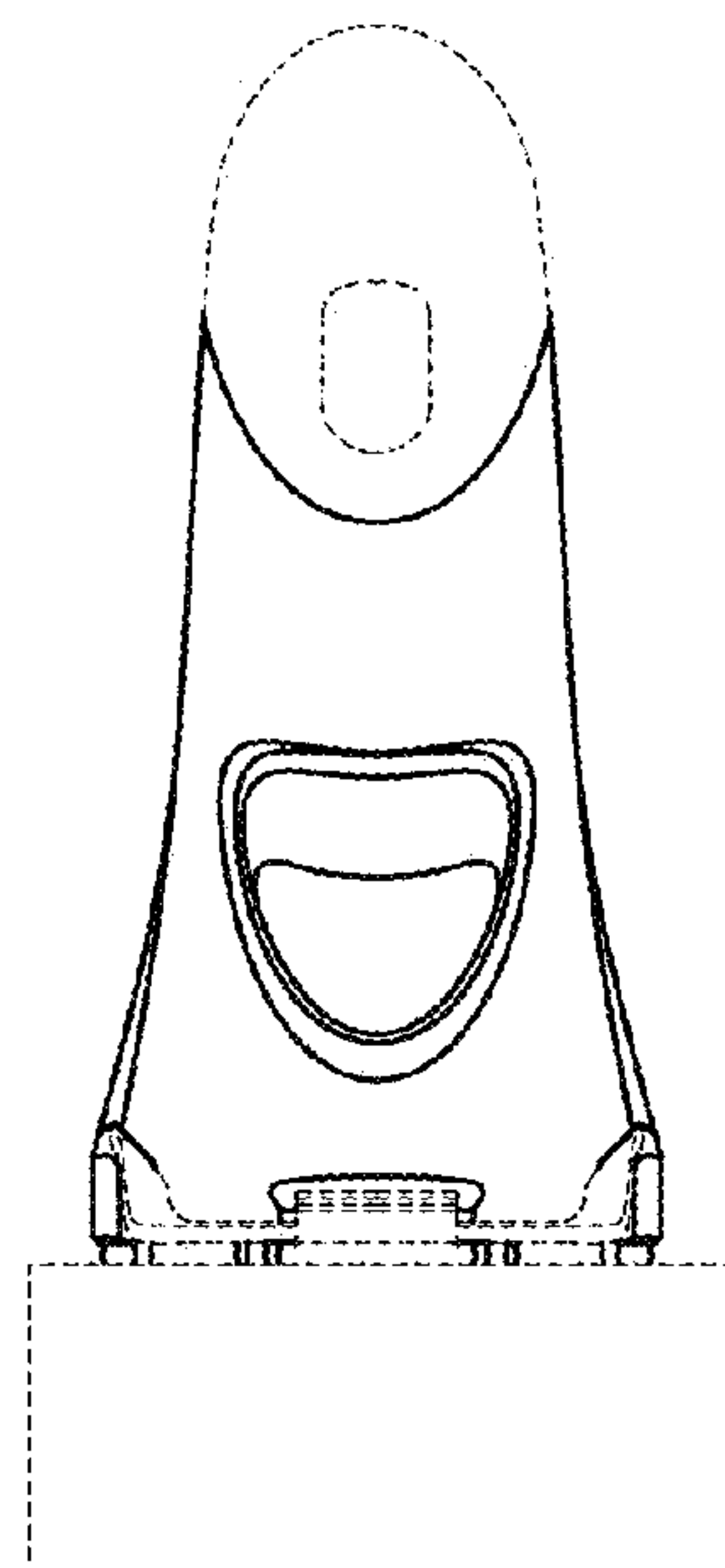


FIG. 6