



US00D690480S

(12) **United States Design Patent**
Schoen

(10) **Patent No.:** **US D690,480 S**
(45) **Date of Patent:** **** Sep. 24, 2013**

(54) **LENS CLEANER**

(75) Inventor: **Matthew R. Schoen**, East Williston, NY
(US)

(73) Assignee: **Carson Optical, Inc.**, Hauppauge, NY
(US)

(**) Term: **14 Years**

(21) Appl. No.: **29/407,571**

(22) Filed: **Nov. 30, 2011**

(51) **LOC (9) Cl.** **08-99**

(52) **U.S. Cl.**
USPC **D32/35; D19/48**

(58) **Field of Classification Search**
USPC D32/35, 40, 41, 42, 45, 52; D19/41-51,
D19/57, 66, 71; D8/83, 94, 107, 300; D4/119,
D4/122, 137, 138, 199; D9/529, 726, 727;
15/104.002, 209.1, 105, 230.11, 250.001,
15/250.003, 214; 401/9, 195, 196, 202, 99,
401/123, 124; 206/229; 134/6; 510/175
See application file for complete search history.

(56) **References Cited**

U.S. PATENT DOCUMENTS

1,261,502	A *	4/1918	Farrows	401/99
D111,908	S *	10/1938	Lermer	D19/71
D223,438	S *	4/1972	Lluch	D9/539
D264,547	S *	5/1982	Watson	D8/62
D268,598	S *	4/1983	Mizutani et al.	D19/43
D274,697	S *	7/1984	Venne	D9/725
D300,118	S *	3/1989	Venne et al.	D19/48
4,818,134	A *	4/1989	Tsai	401/195
4,842,132	A *	6/1989	Wells	206/229
D303,926	S *	10/1989	Venne et al.	D9/725
4,927,284	A *	5/1990	Tsai	401/195
5,163,767	A *	11/1992	Lucas	401/202
D337,939	S *	8/1993	Smith, Jr.	D9/726
D362,092	S *	9/1995	Wasak	D32/40

D406,054	S *	2/1999	Wagner	D9/725
5,993,560	A *	11/1999	Wasak et al.	134/6
D420,807	S	2/2000	Otteman et al.		
D506,027	S *	6/2005	Angeletta	D28/7
6,964,941	B2 *	11/2005	Argentieri et al.	510/175
D566,360	S *	4/2008	Ungaro	D32/35
D570,545	S *	6/2008	Althoff et al.	D28/76
2007/0009315	A1 *	1/2007	Wu	401/123

OTHER PUBLICATIONS

www.lenspen.com/products.

* cited by examiner

Primary Examiner — Caron D Veynar

Assistant Examiner — Martie K Holtje

(74) *Attorney, Agent, or Firm* — Carmody & Torrance LLP

(57) **CLAIM**

The ornamental design for a lens cleaner, as shown and described.

DESCRIPTION

FIG. 1 is a front perspective view of a lens cleaner showing my new design;

FIG. 2 is a front elevational view thereof;

FIG. 3 is a rear elevational view thereof;

FIG. 4 is a right side elevational view thereof;

FIG. 5 is a left side elevational view thereof;

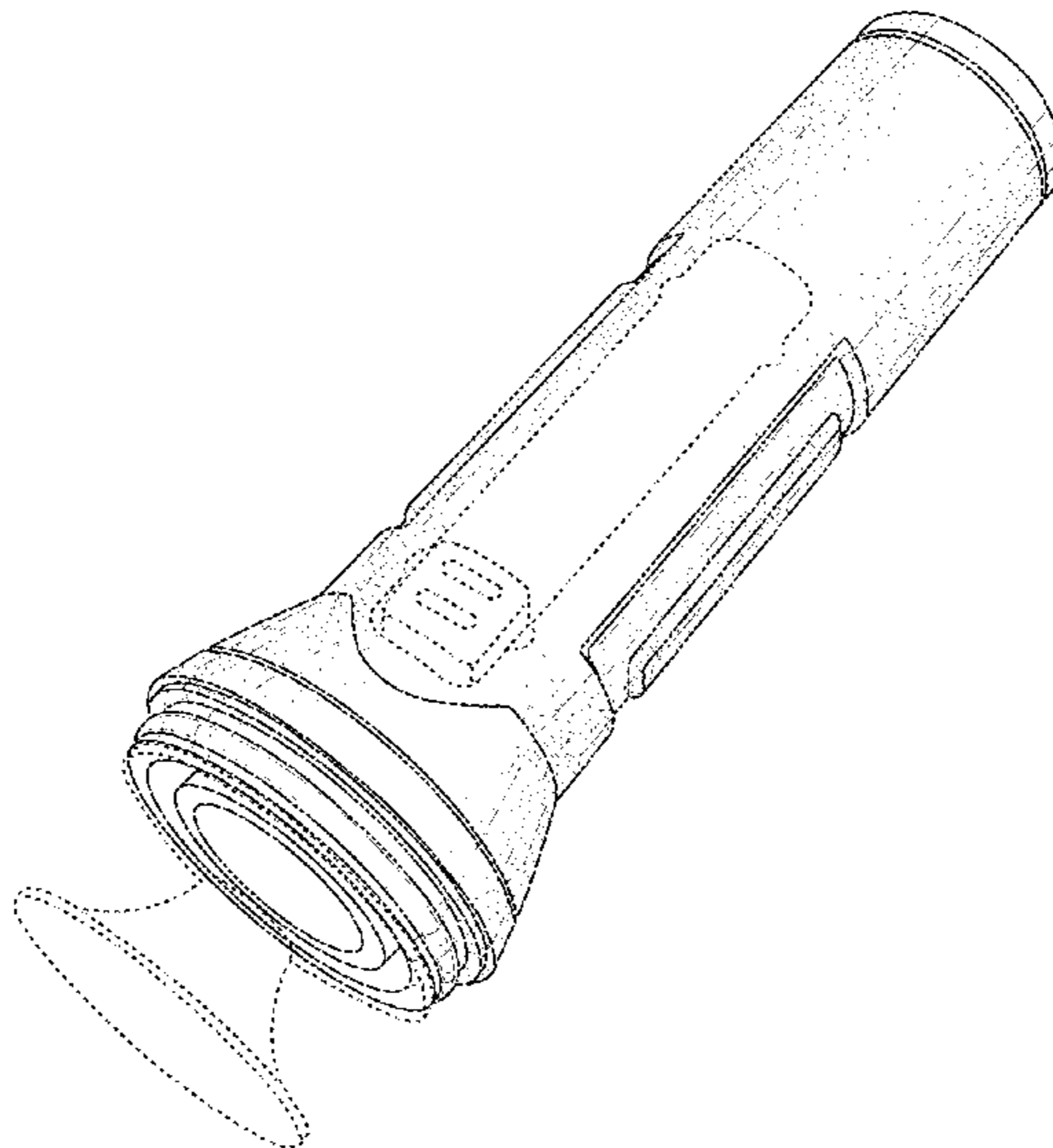
FIG. 6 is a bottom plan view thereof; and,

FIG. 7 is a top plan view thereof.

The structural features depicted by dotted lines in the drawing figures have been shown for the purpose of illustrating portions of the claimed lens cleaner that form no part of the claimed design.

The dotted lines defining the actuator mechanism channel in FIGS. 1, 2, 4, and 5, and the center circular opening in FIG. 7 define the boundaries of the claimed lens cleaner, the areas within which form no part of the claimed design.

1 Claim, 4 Drawing Sheets



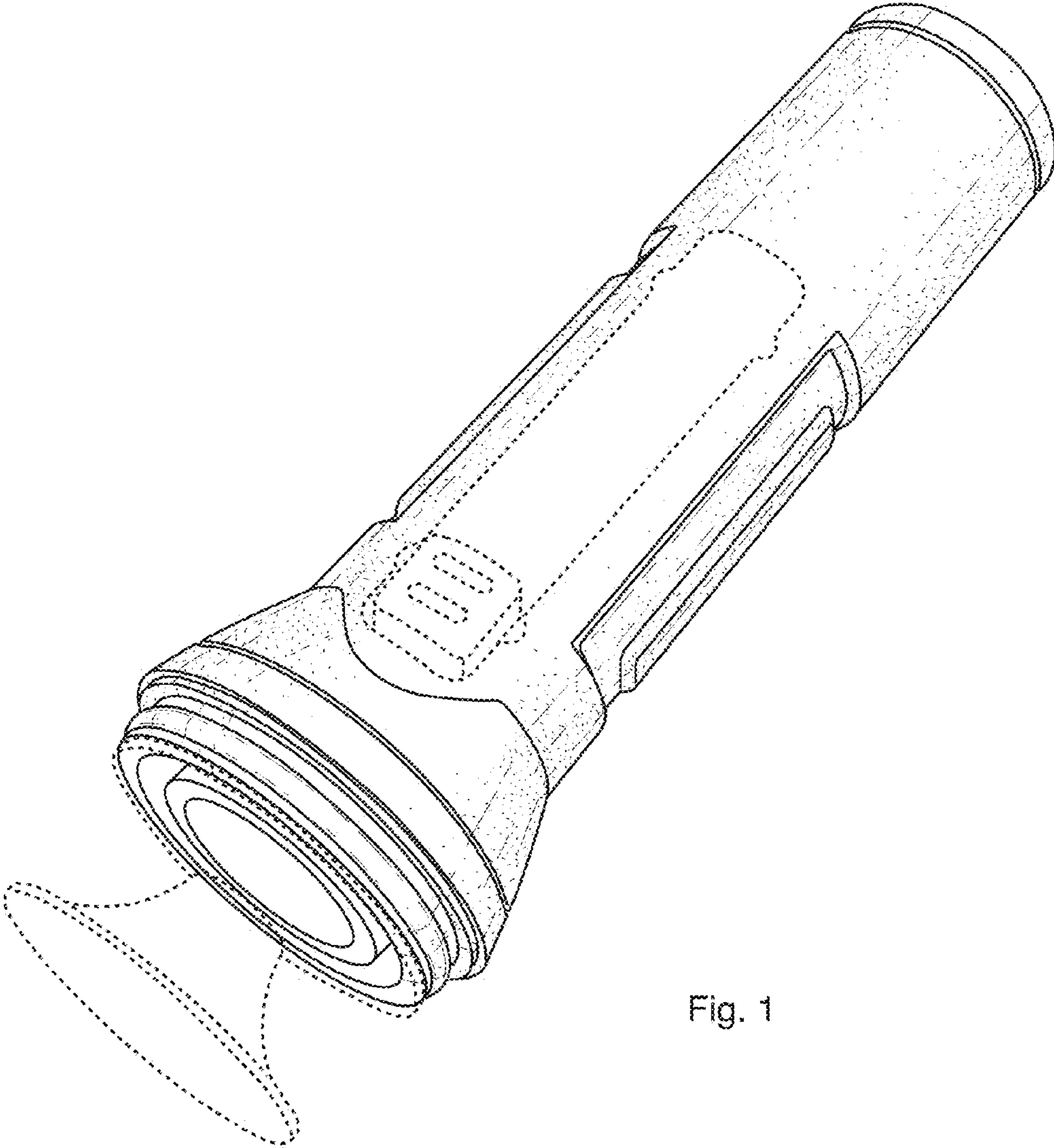


Fig. 1

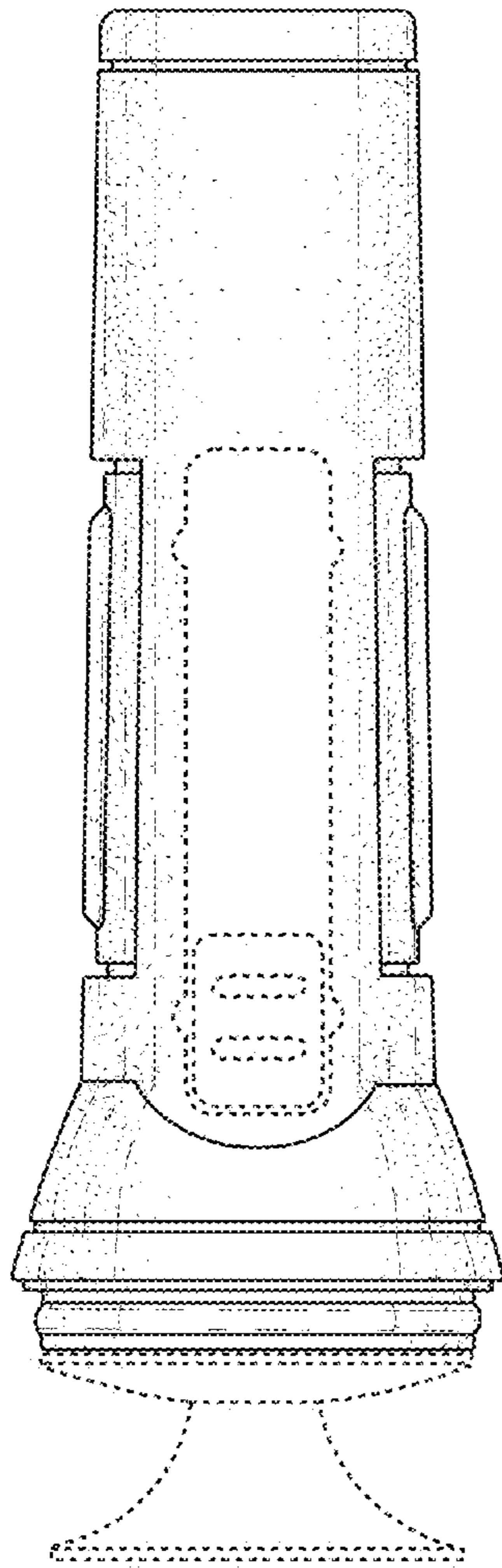


Fig. 2

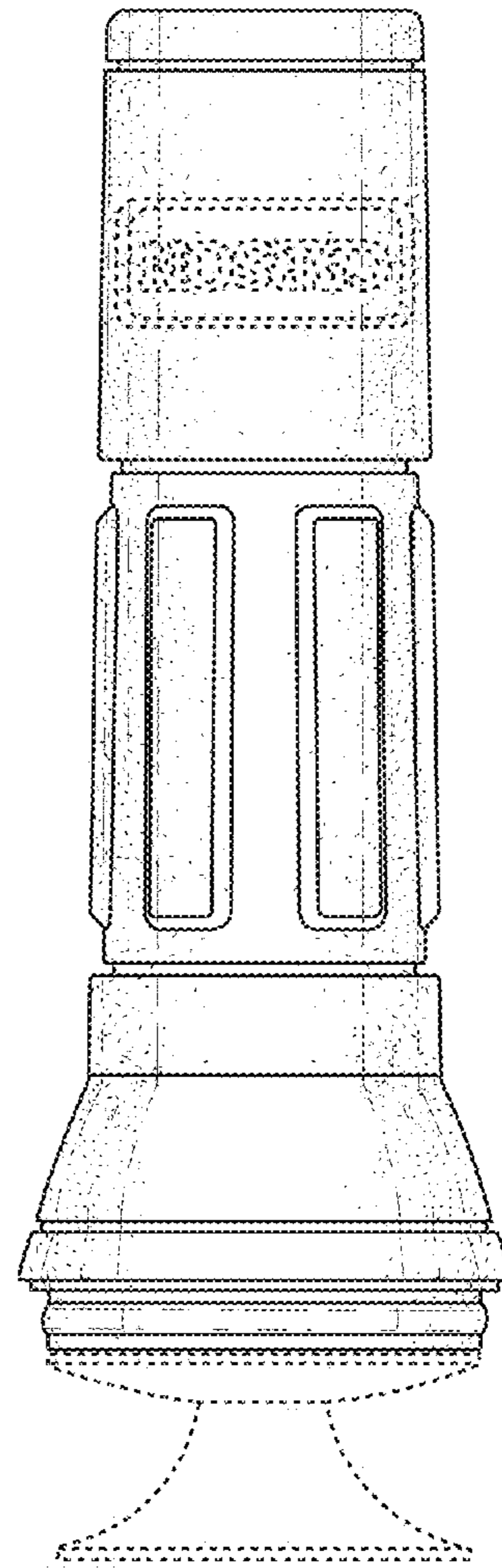


Fig. 3

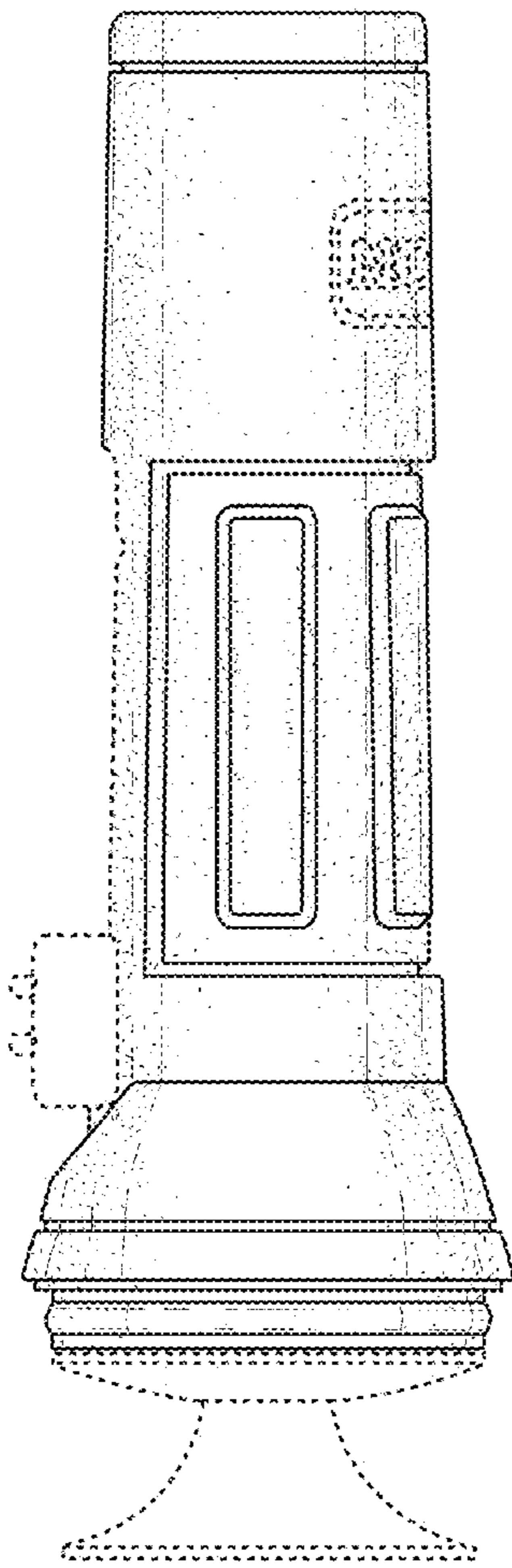


Fig. 4

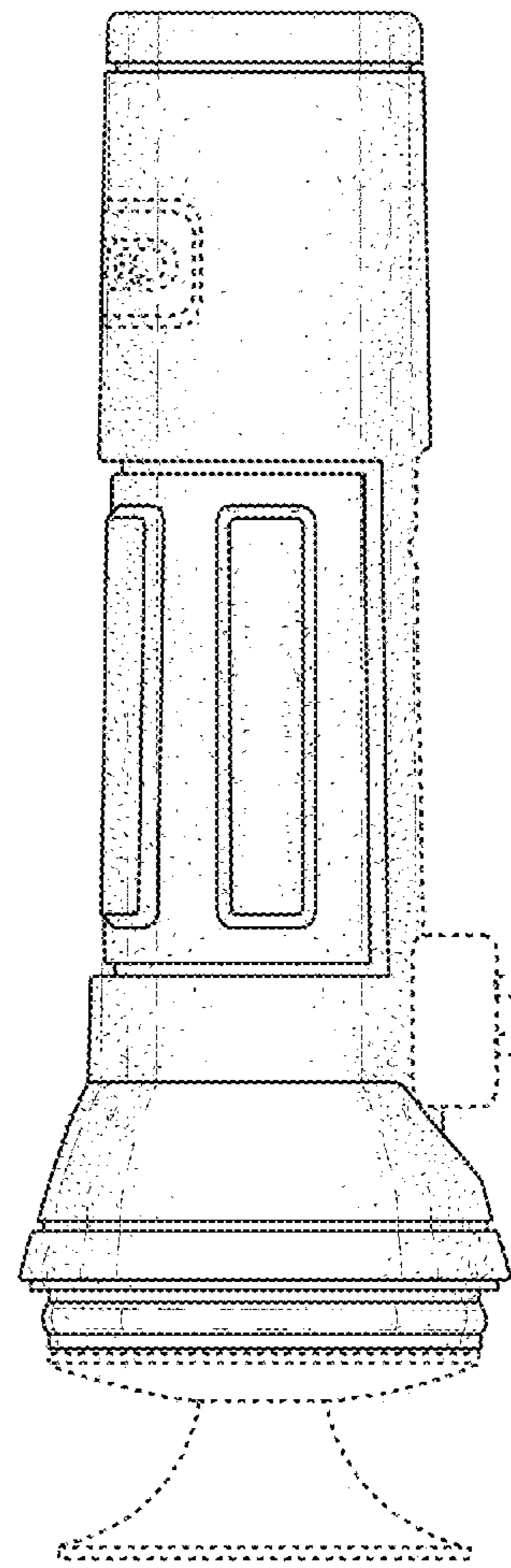


Fig. 5

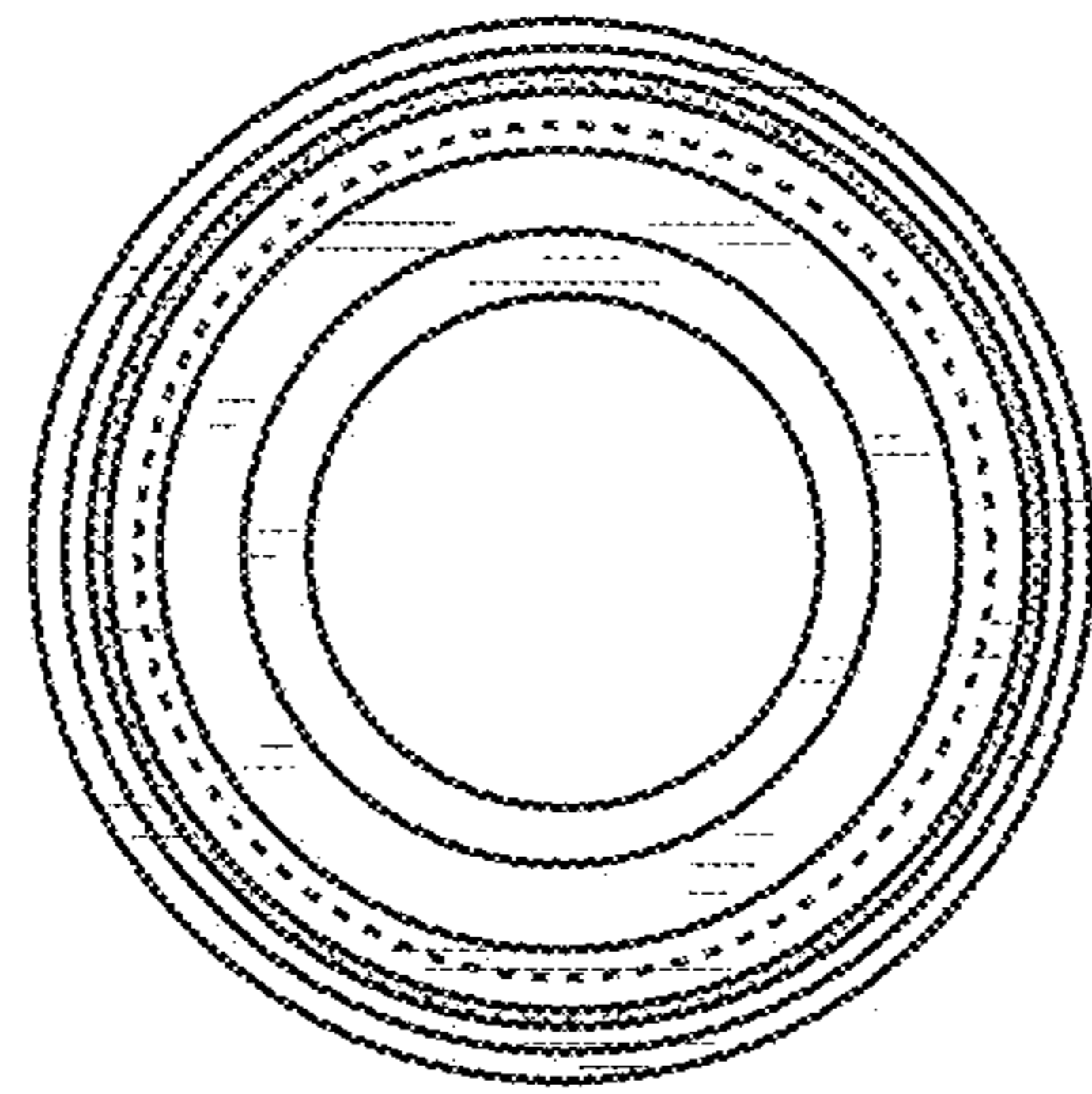


Fig. 6

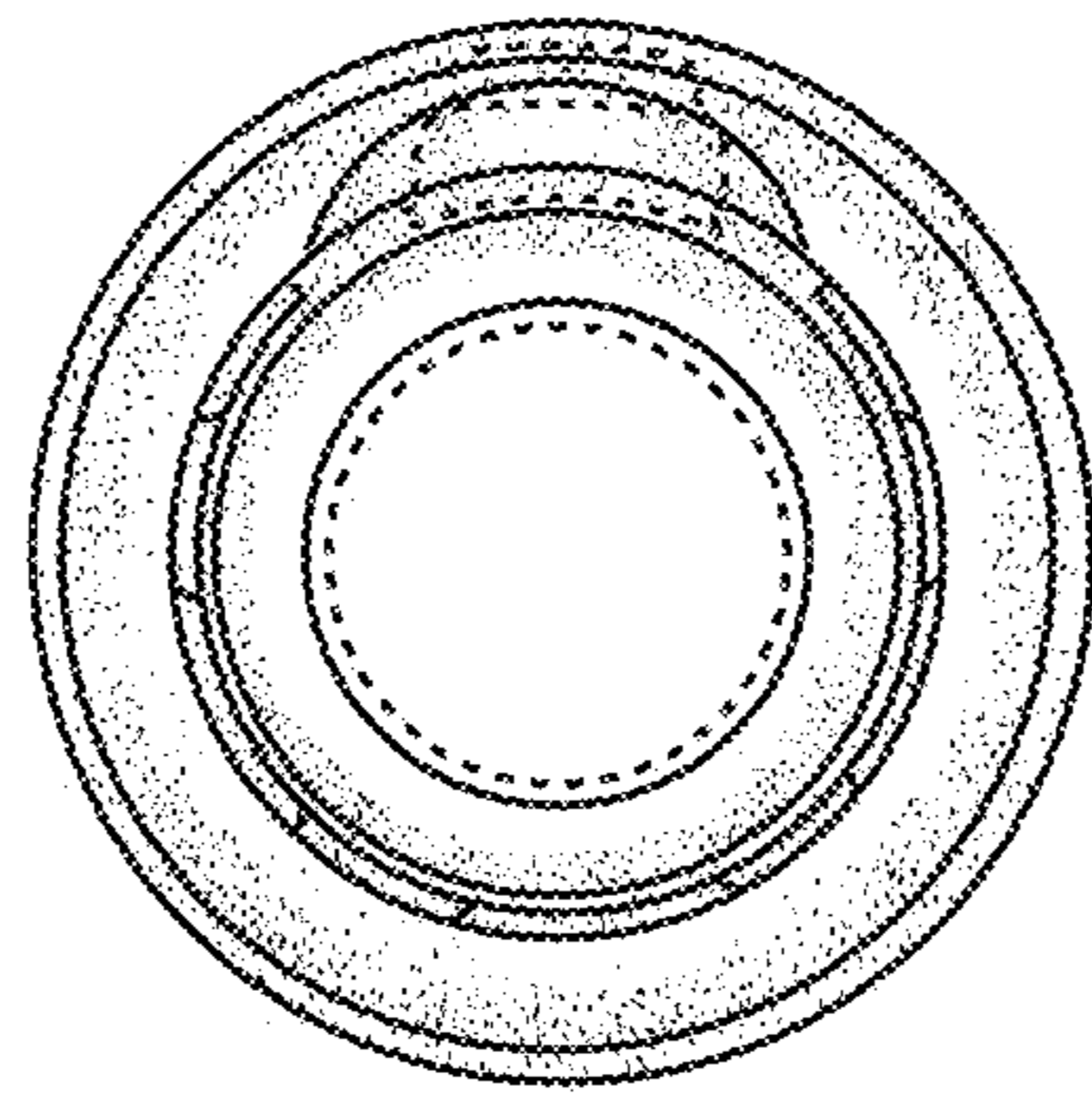


Fig. 7