

US00D690479S

(12) **United States Design Patent**  
**Geyer et al.**

(10) **Patent No.:** **US D690,479 S**

(45) **Date of Patent:** **\*\* Sep. 24, 2013**

(54) **DOOR OF WASHING AND/OR DRYING MACHINE**

(75) Inventors: **Johannes Geyer**, Haar (DE); **Florian Metz**, Unterföhring (DE); **Roger Münstermann**, München (DE); **Carsten Weber**, Aalen (DE)

(73) Assignee: **BSH Bosch und Siemens Hausgeraete GmbH**, Munich (DE)

(\*\*) Term: **14 Years**

(21) Appl. No.: **29/414,612**

(22) Filed: **Mar. 1, 2012**

(30) **Foreign Application Priority Data**

Sep. 2, 2011 (EM) ..... 001293732

(51) **LOC (9) Cl.** ..... **15-05**

(52) **U.S. Cl.**  
USPC ..... **D32/25**

(58) **Field of Classification Search**  
USPC ..... D32/1, 5, 6, 8, 10, 25; 68/3 R, 4,  
68/5 R, 12.01, 12.07, 12.08, 212; 34/87-88,  
34/523-524

See application file for complete search history.

(56) **References Cited**

U.S. PATENT DOCUMENTS

D456,572 S *	4/2002	Resuello et al.	.....	D32/6
D457,991 S *	5/2002	Baldwin et al.	.....	D32/6
D519,247 S *	4/2006	Kim et al.	.....	D32/6
D520,686 S *	5/2006	Jeon et al.	.....	D32/6
D536,143 S *	1/2007	Takase et al.	.....	D32/5
D549,894 S *	8/2007	Wilday	.....	D32/6
D550,409 S *	9/2007	Wilday	.....	D32/6
D551,401 S *	9/2007	Jeon et al.	.....	D32/6
D571,510 S *	6/2008	Cadamuro	.....	D32/6
D577,162 S *	9/2008	Shail et al.	.....	D32/6
D585,164 S *	1/2009	Kosukegawa et al.	.....	D32/5

D595,908 S *	7/2009	Park et al.	.....	D32/6
D606,715 S *	12/2009	Matsusaki	.....	D32/5
D616,162 S *	5/2010	Park et al.	.....	D32/6
D631,624 S *	1/2011	Chung et al.	.....	D32/6
D640,020 S *	6/2011	Helot et al.	.....	D32/5
2011/0023559 A1*	2/2011	Schone	.....	68/212

\* cited by examiner

*Primary Examiner* — T. Chase Nelson

*Assistant Examiner* — Kathleen M Sims

(74) *Attorney, Agent, or Firm* — James E. Howard; Andre Pallapies

(57) **CLAIM**

The ornamental design for a door of washing and/or drying machine, as shown and described.

**DESCRIPTION**

FIG. 1 is a front perspective view of a door of washing and/or drying machine according to a first embodiment showing our new ornamental design;

FIG. 2 is a front view thereof;

FIG. 3 is a rear view thereof;

FIG. 4 is a top view thereof;

FIG. 5 is a bottom view thereof;

FIG. 6 is a right side view thereof;

FIG. 7 is a left hand side view thereof;

FIG. 8 is another perspective view thereof;

FIG. 9 is a front perspective view of a door of washing and/or drying machine according to a second embodiment showing our new ornamental design;

FIG. 10 is a front view thereof;

FIG. 11 is a rear view thereof;

FIG. 12 is a top view thereof;

FIG. 13 is a bottom view thereof;

FIG. 14 is a right side view thereof;

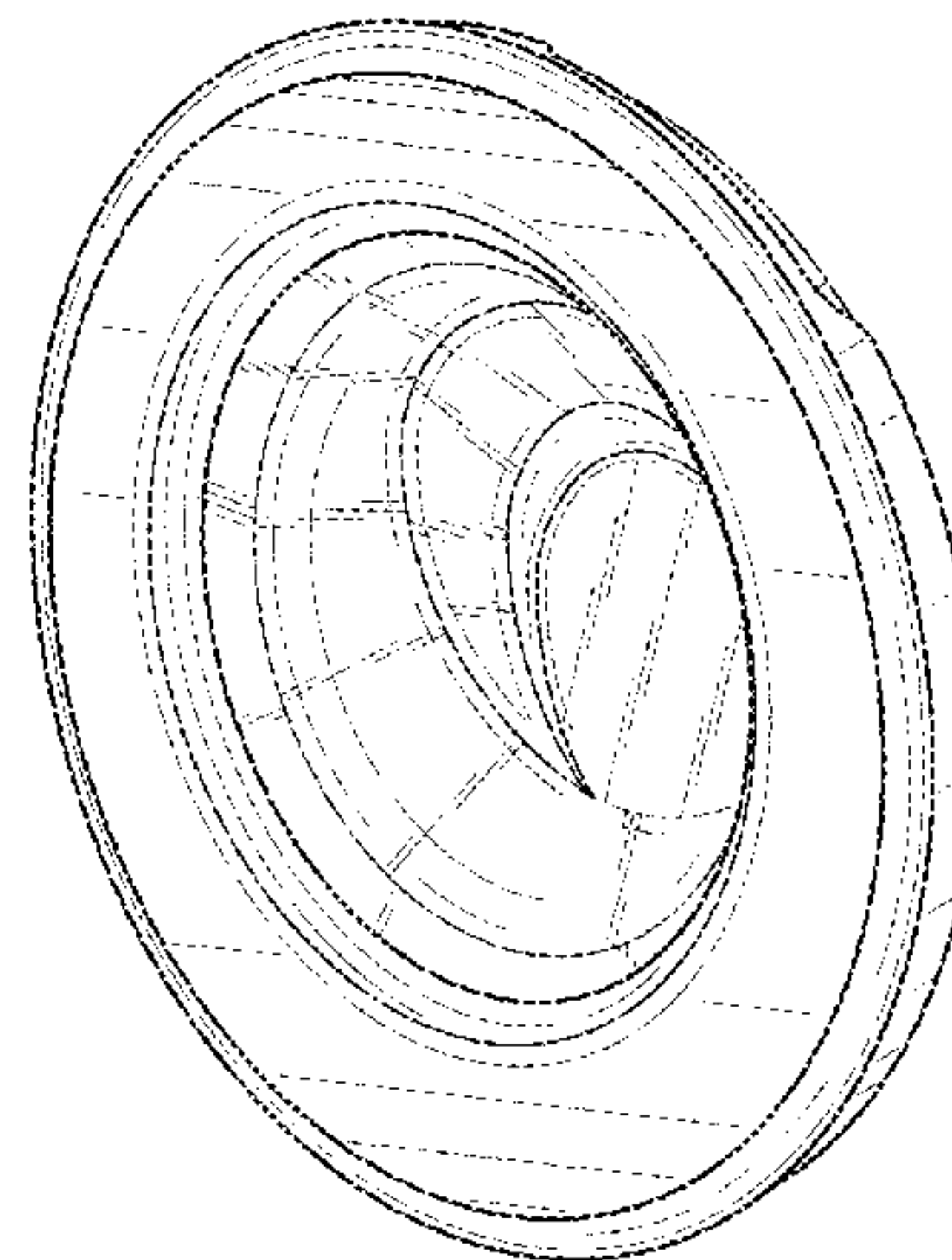
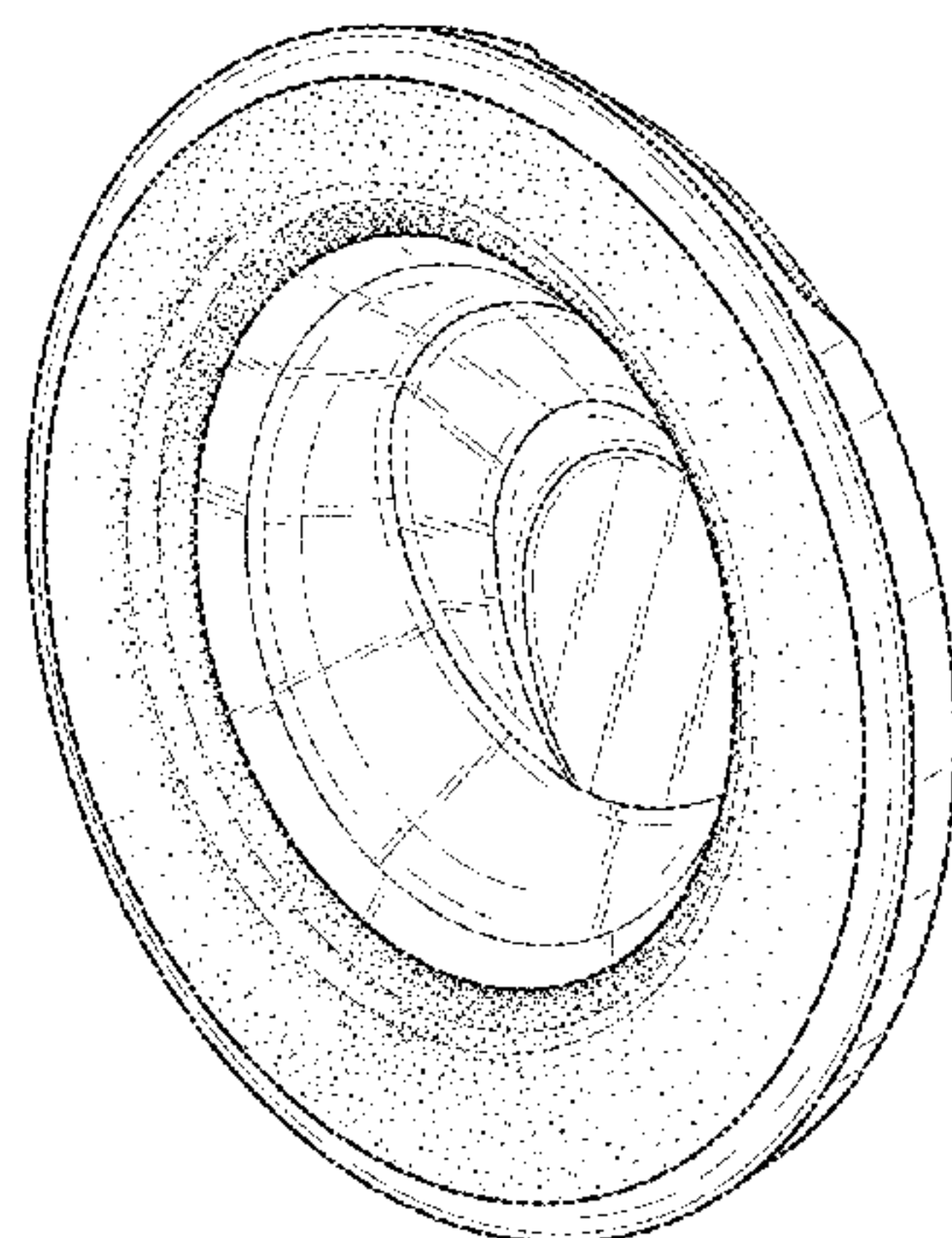
FIG. 15 is a left hand side view thereof; and,

FIG. 16 is another perspective view thereof.

The use of stippling in various figures, e.g., FIGS. 1 and 2, indicates a contrast in appearance/material.

The broken lines showing environment or structure of the door of washing and/or drying machine are for illustrative purposes only and form no part of the claimed design.

**1 Claim, 8 Drawing Sheets**



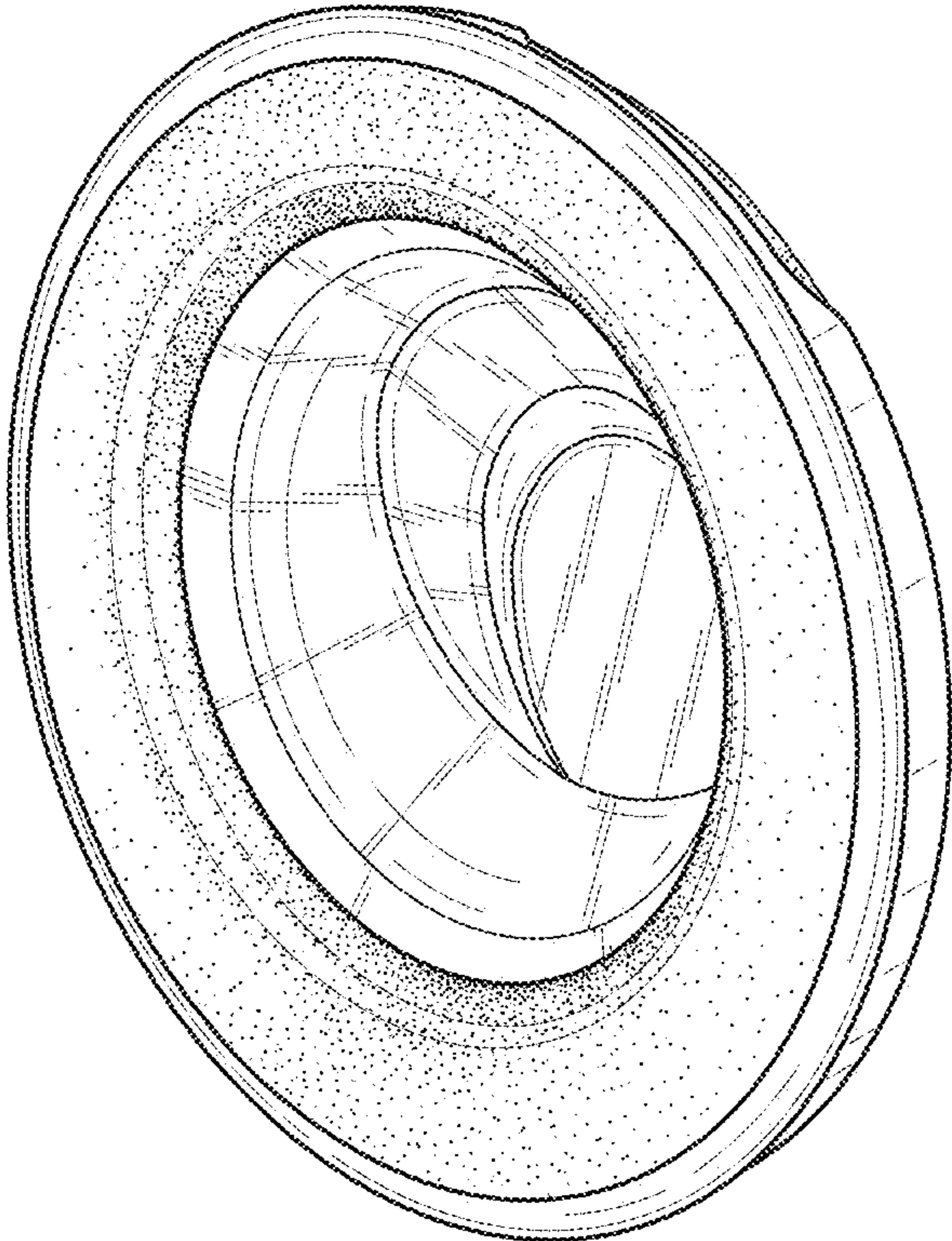


FIG. 1

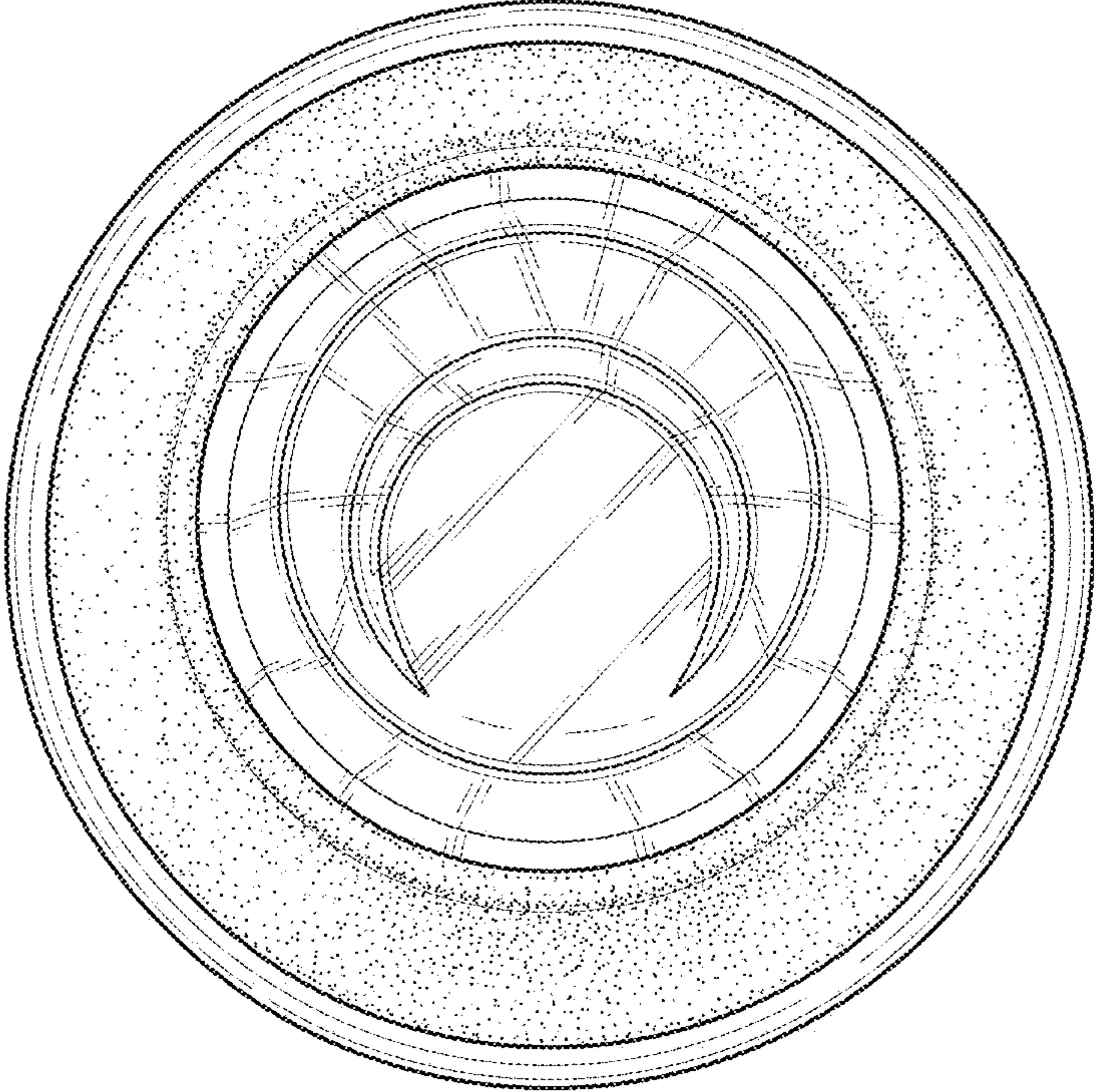


FIG. 2



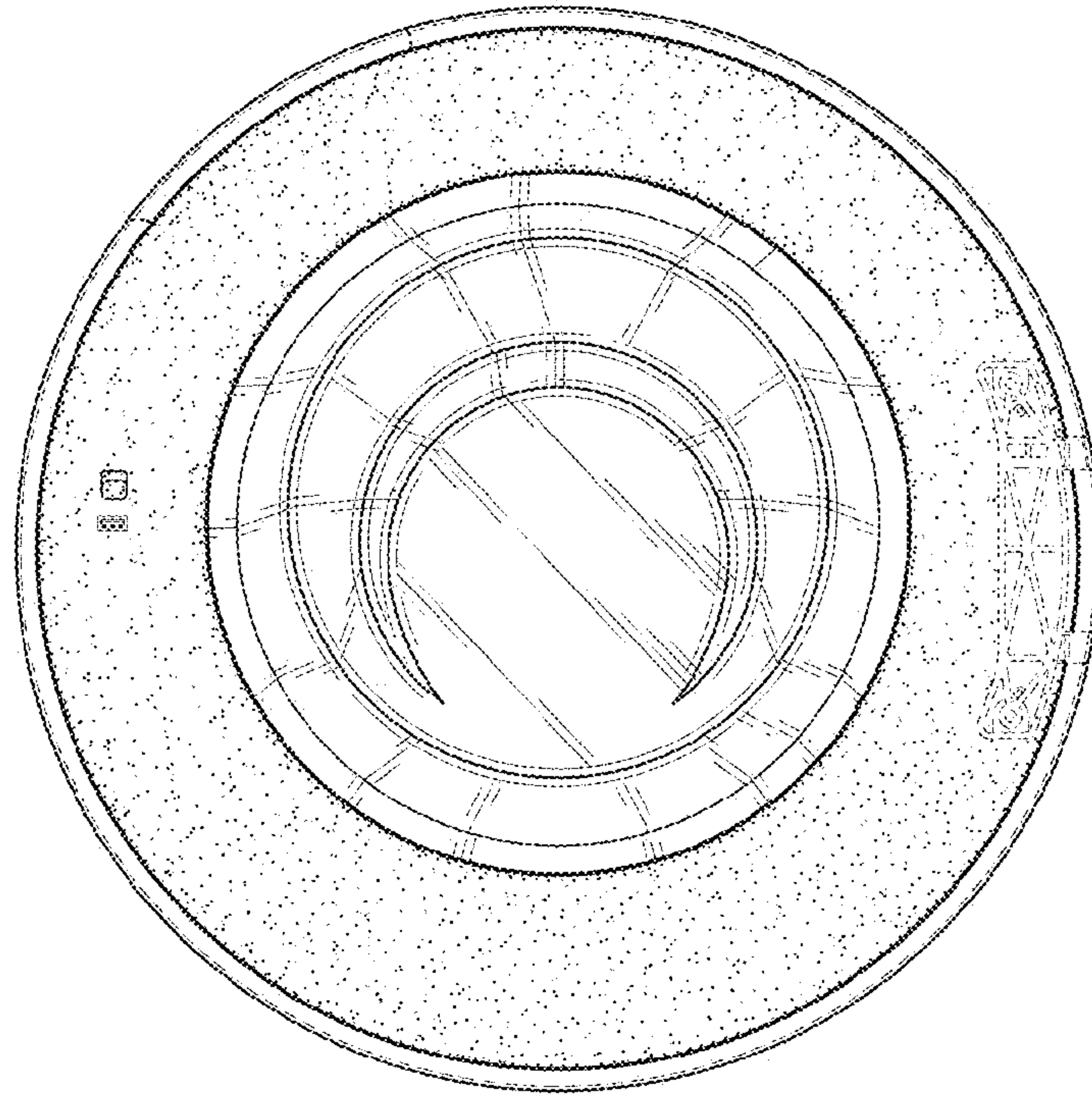


FIG. 3

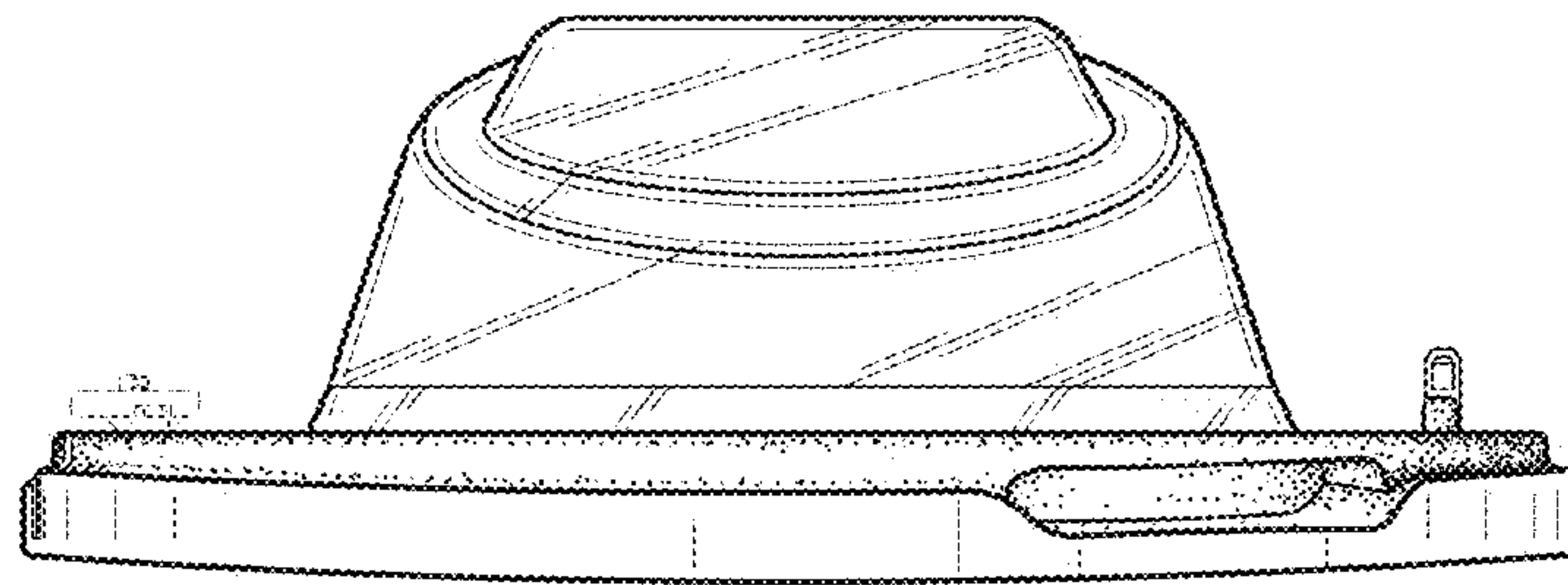


FIG. 4

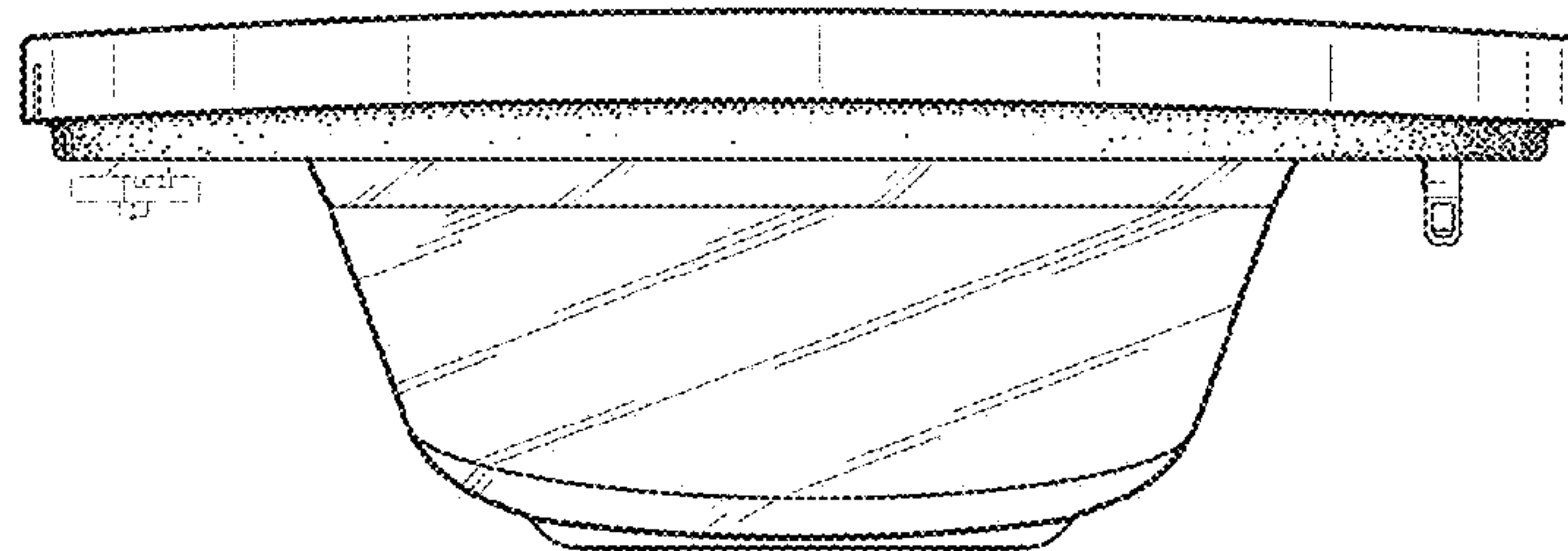


FIG. 5

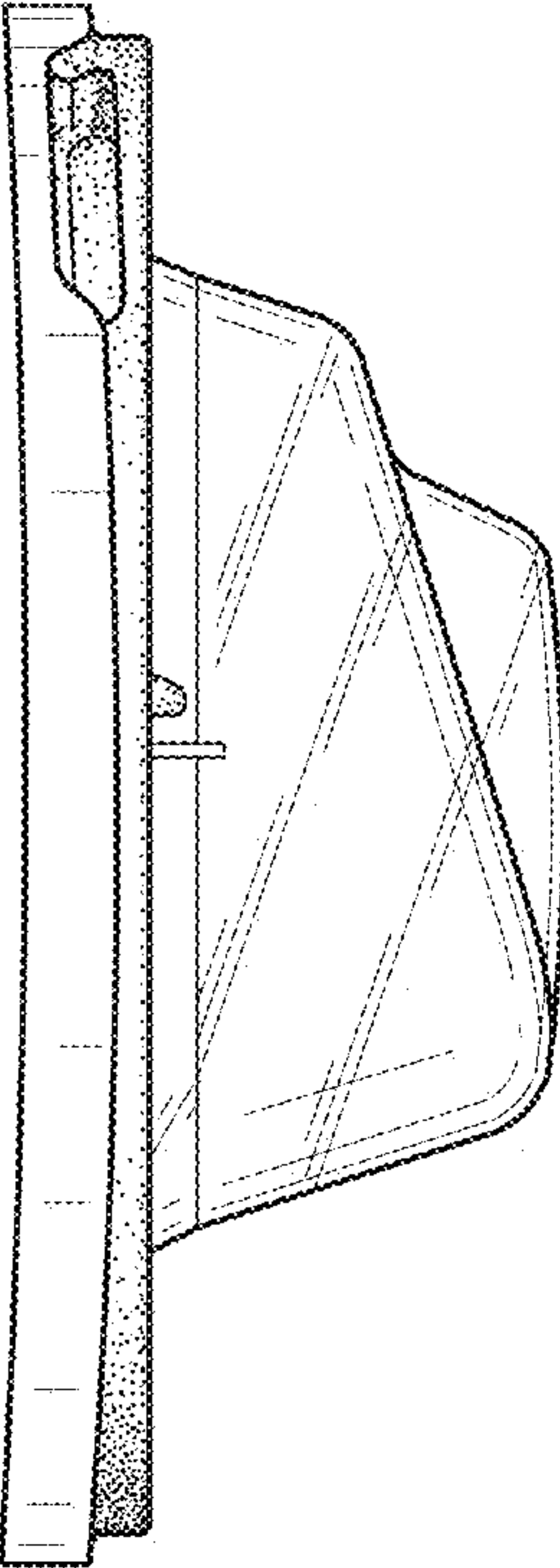


FIG. 6

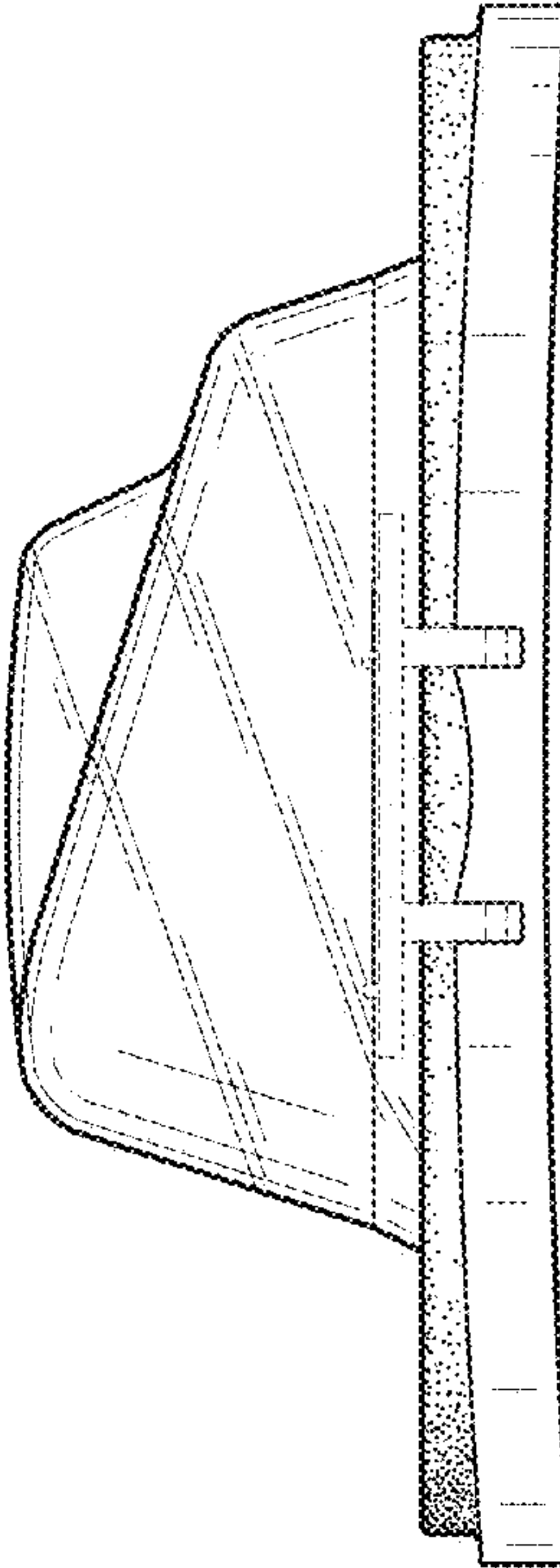


FIG. 7

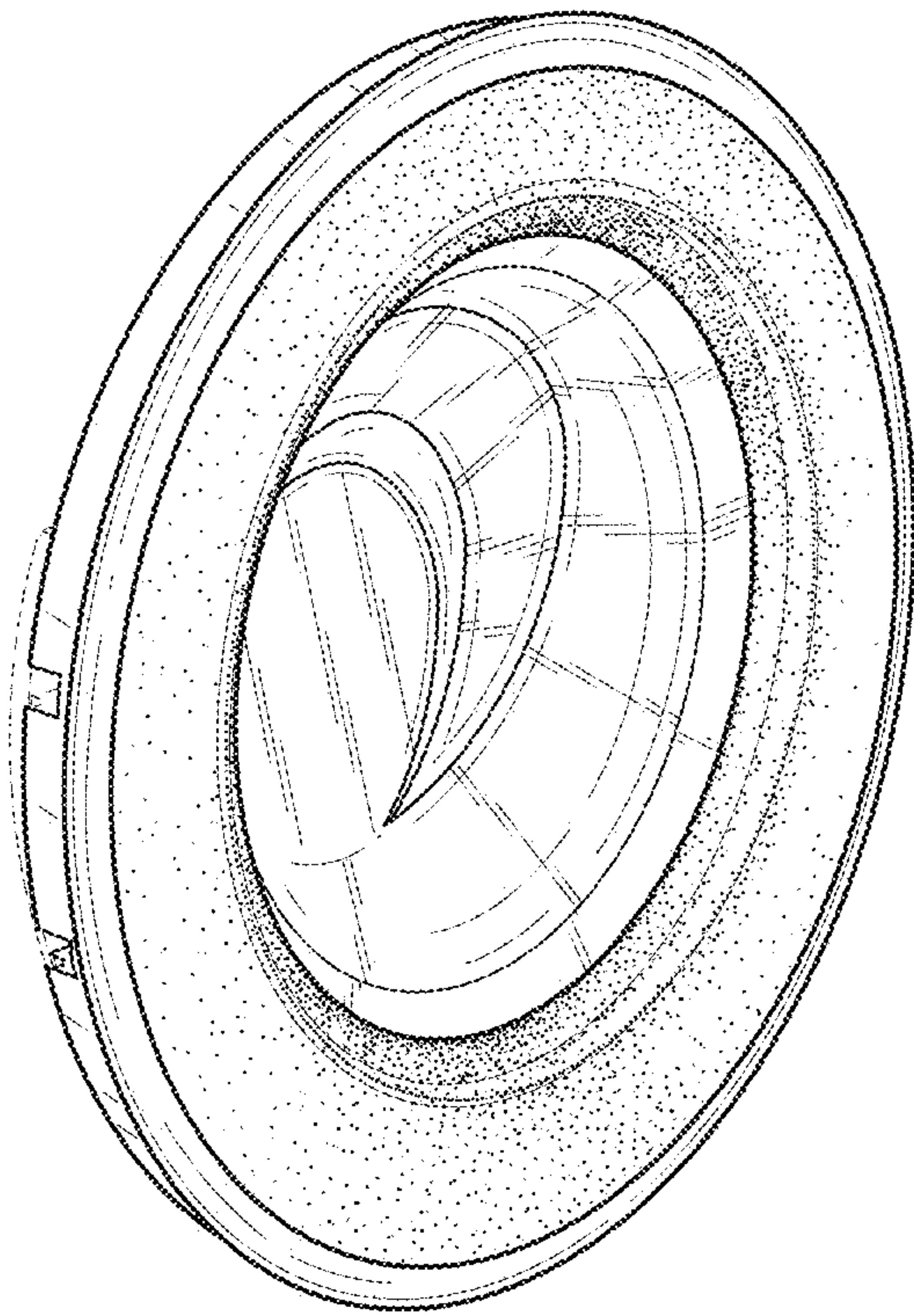
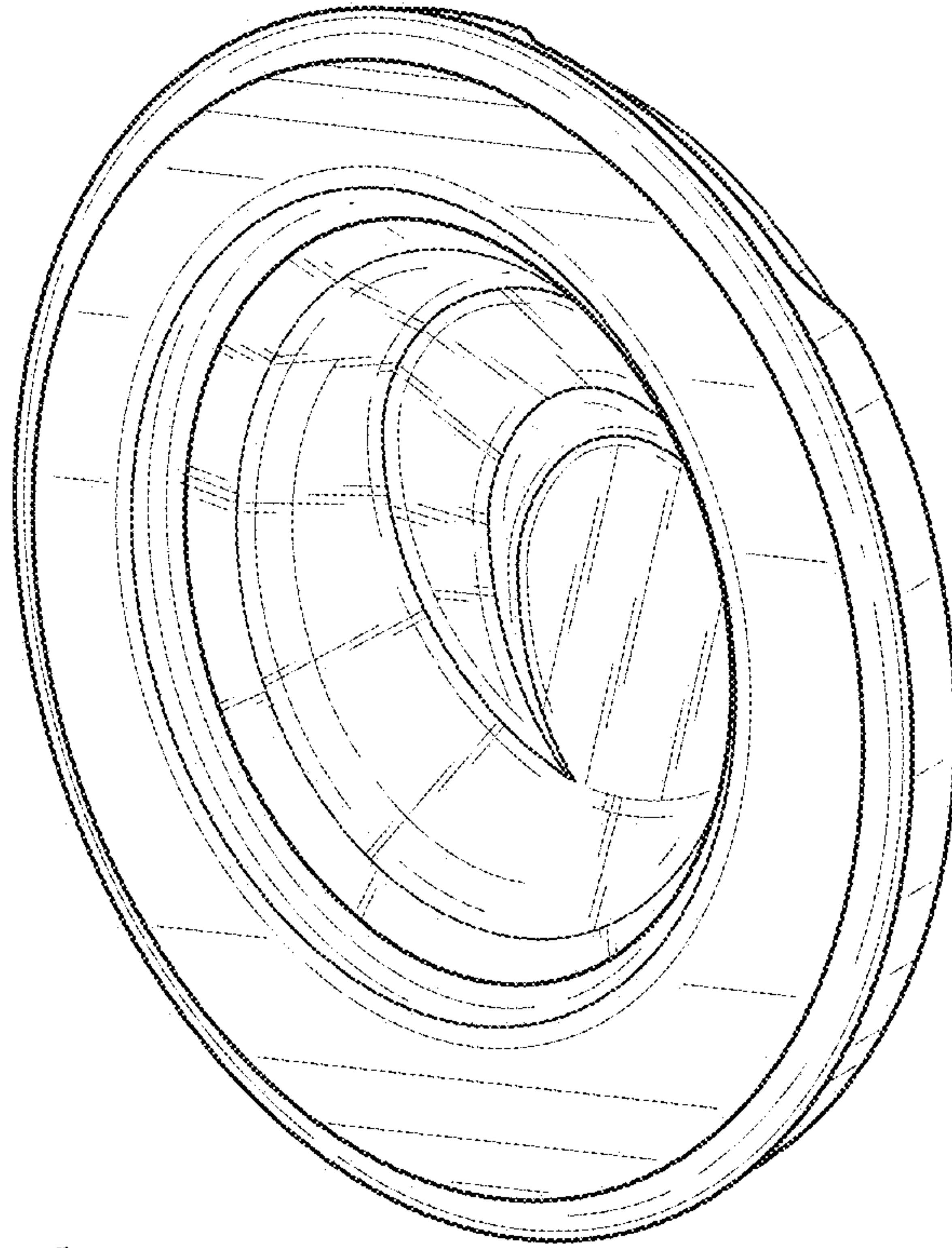
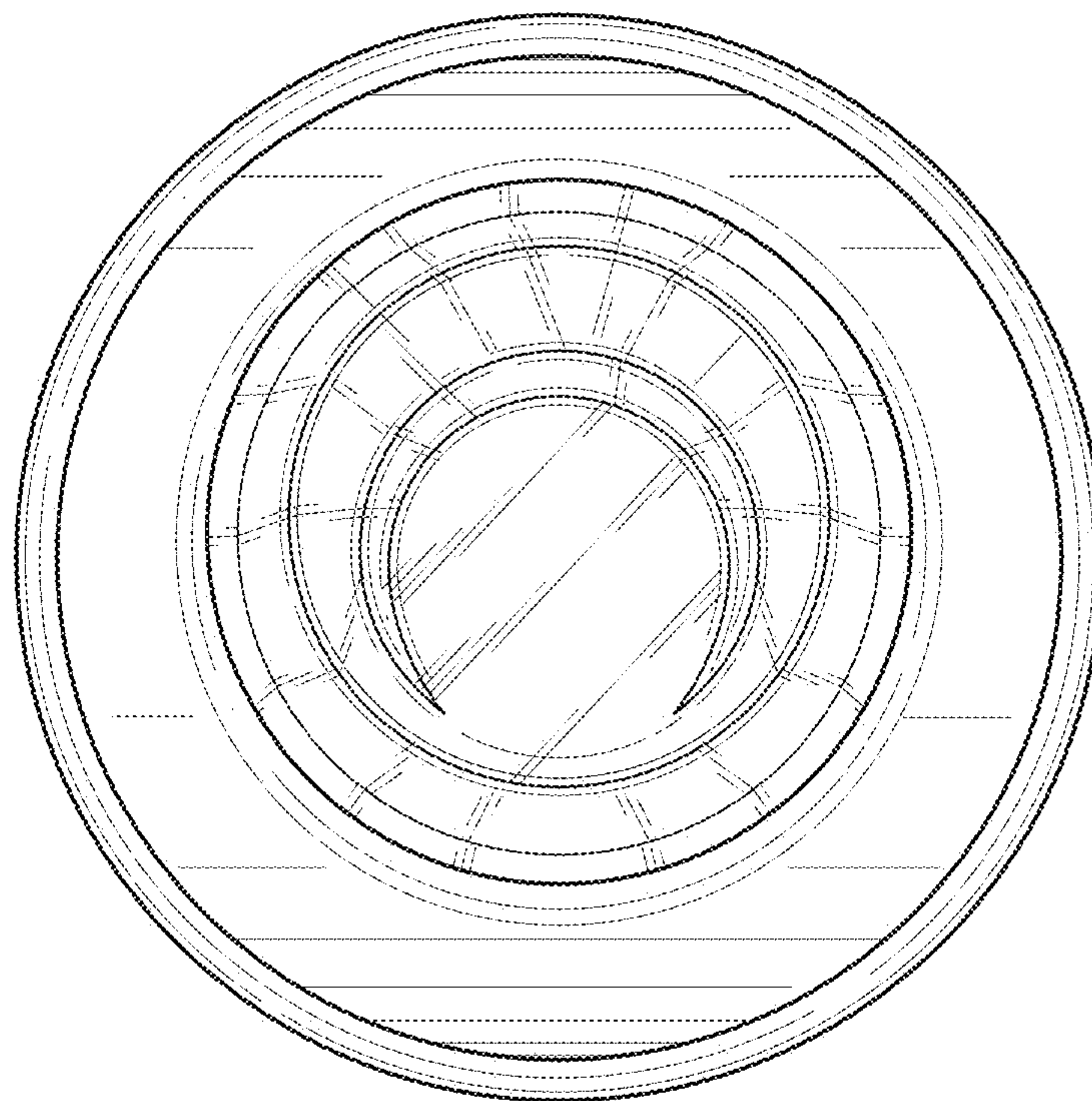


FIG. 8



**FIG. 9**



**FIG. 10**



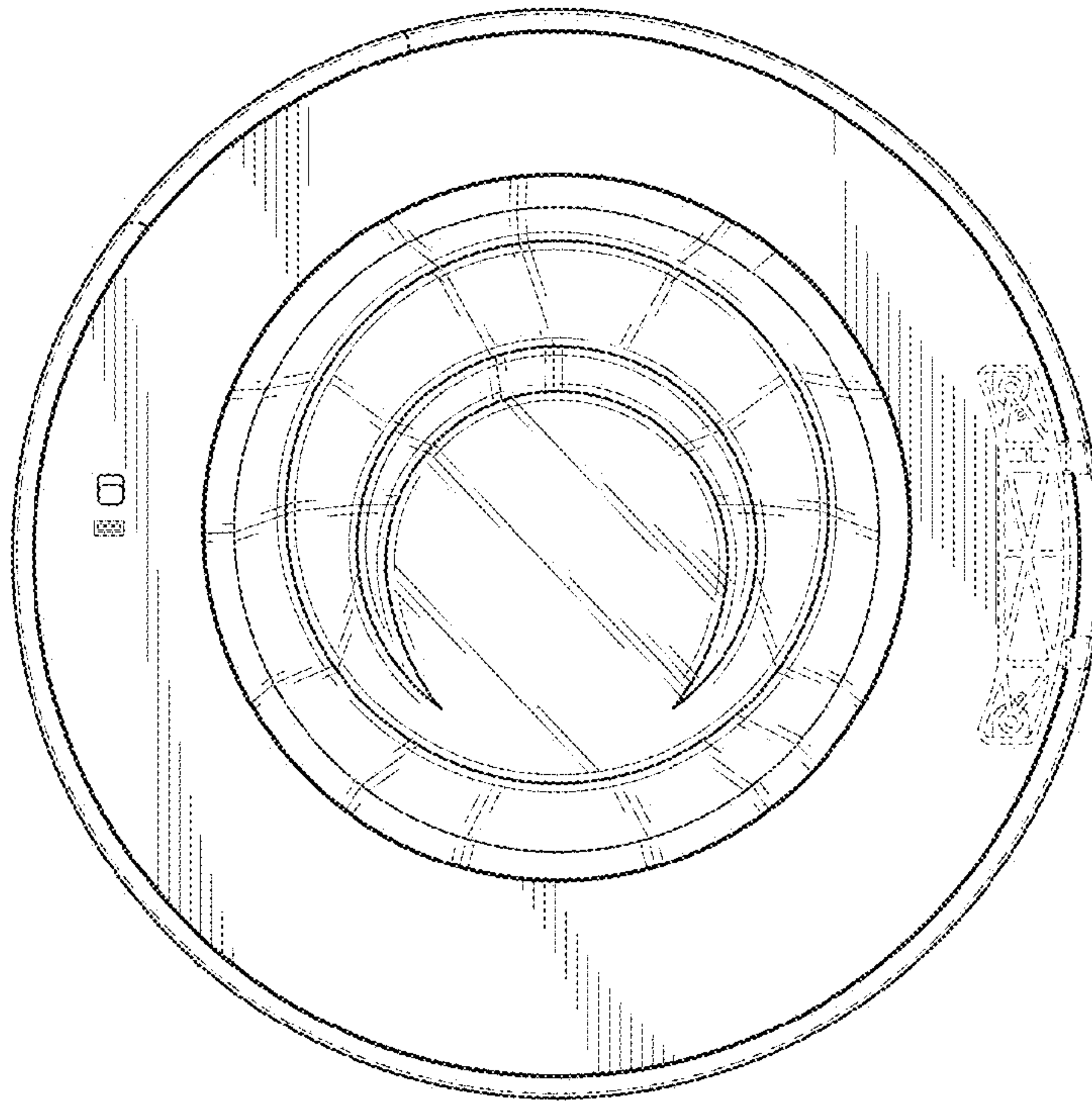


FIG. 11

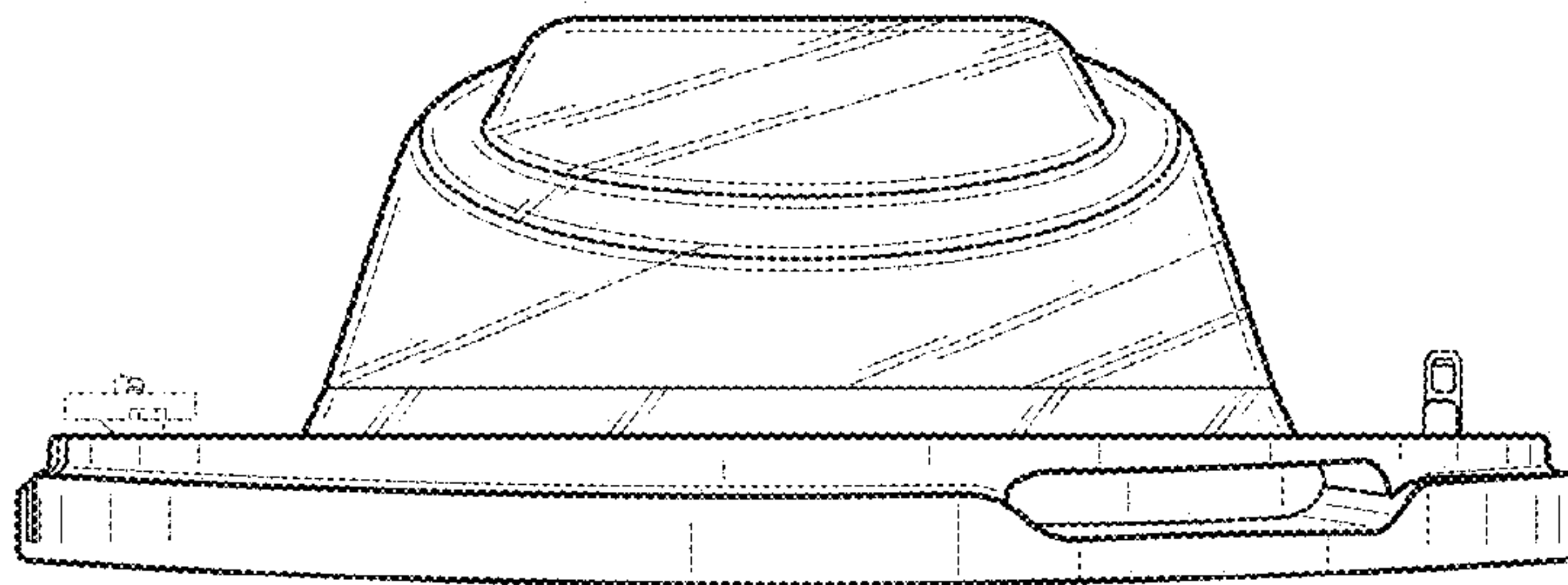


FIG. 12

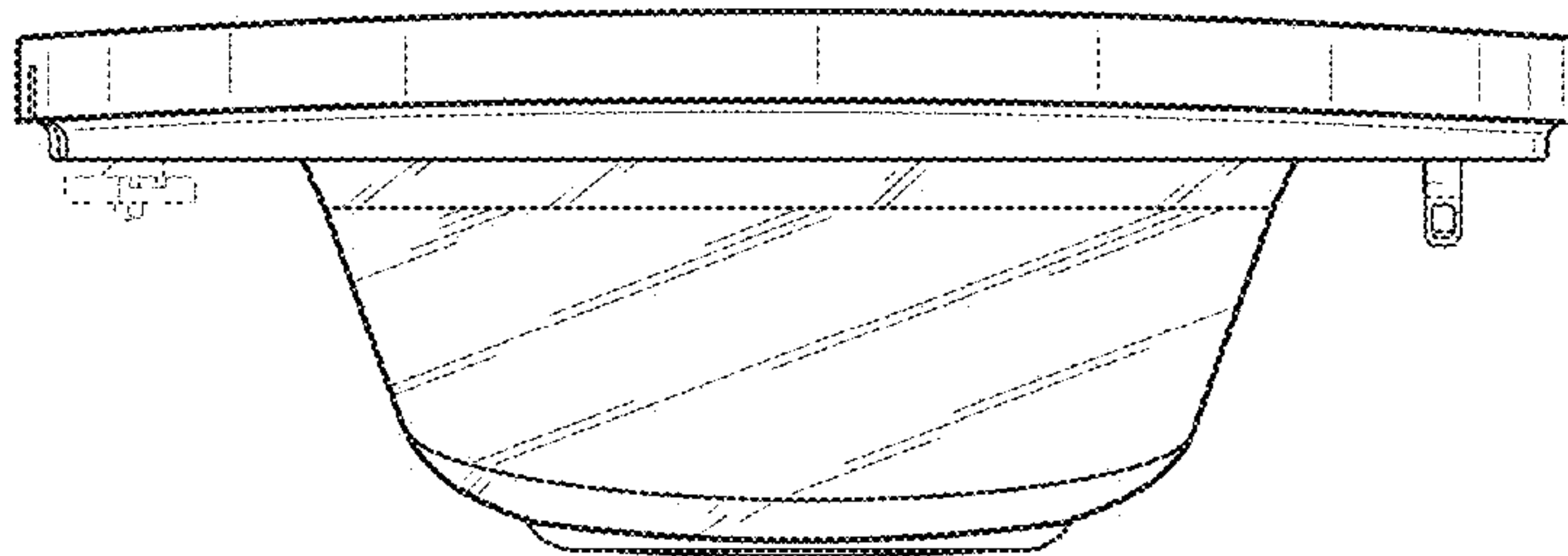


FIG. 13

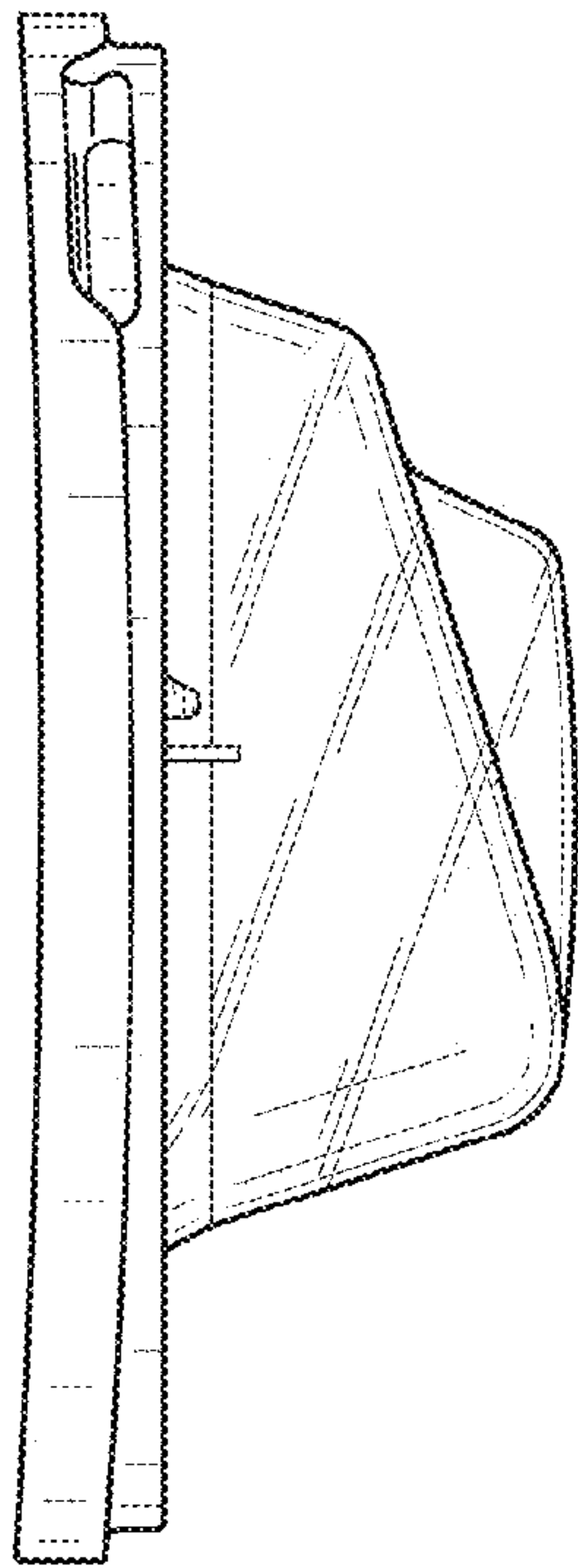


FIG. 14

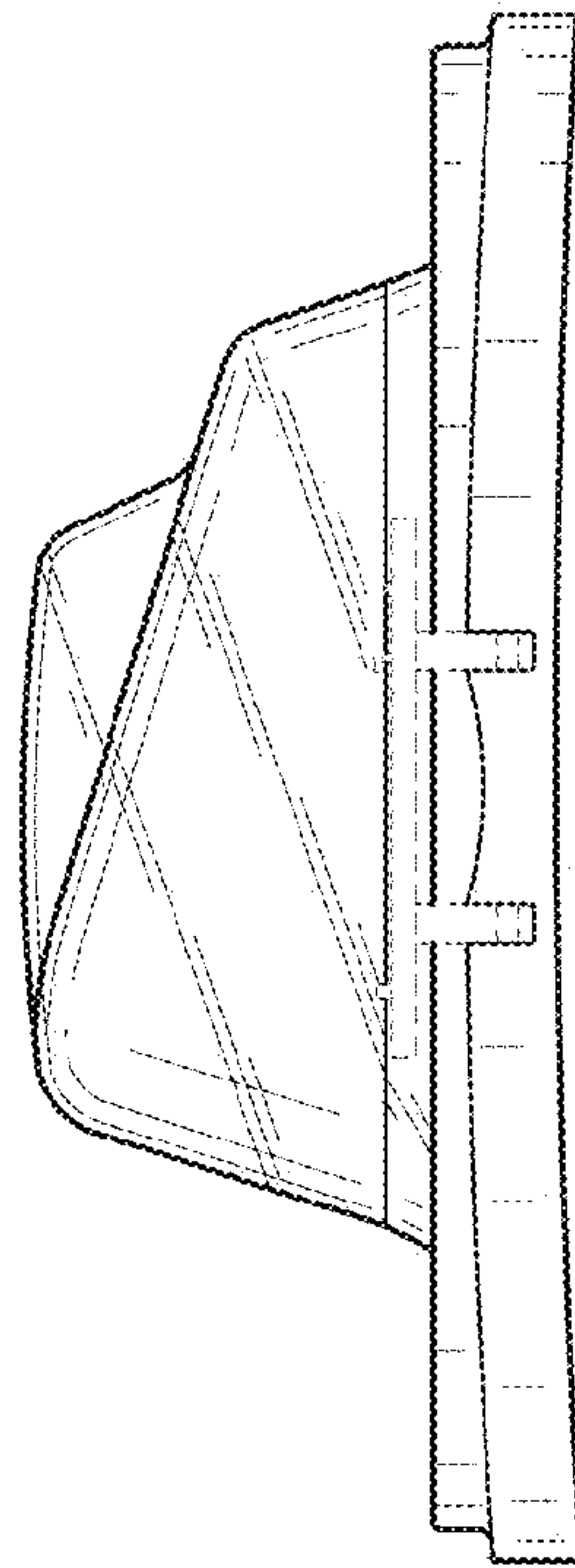


FIG. 15



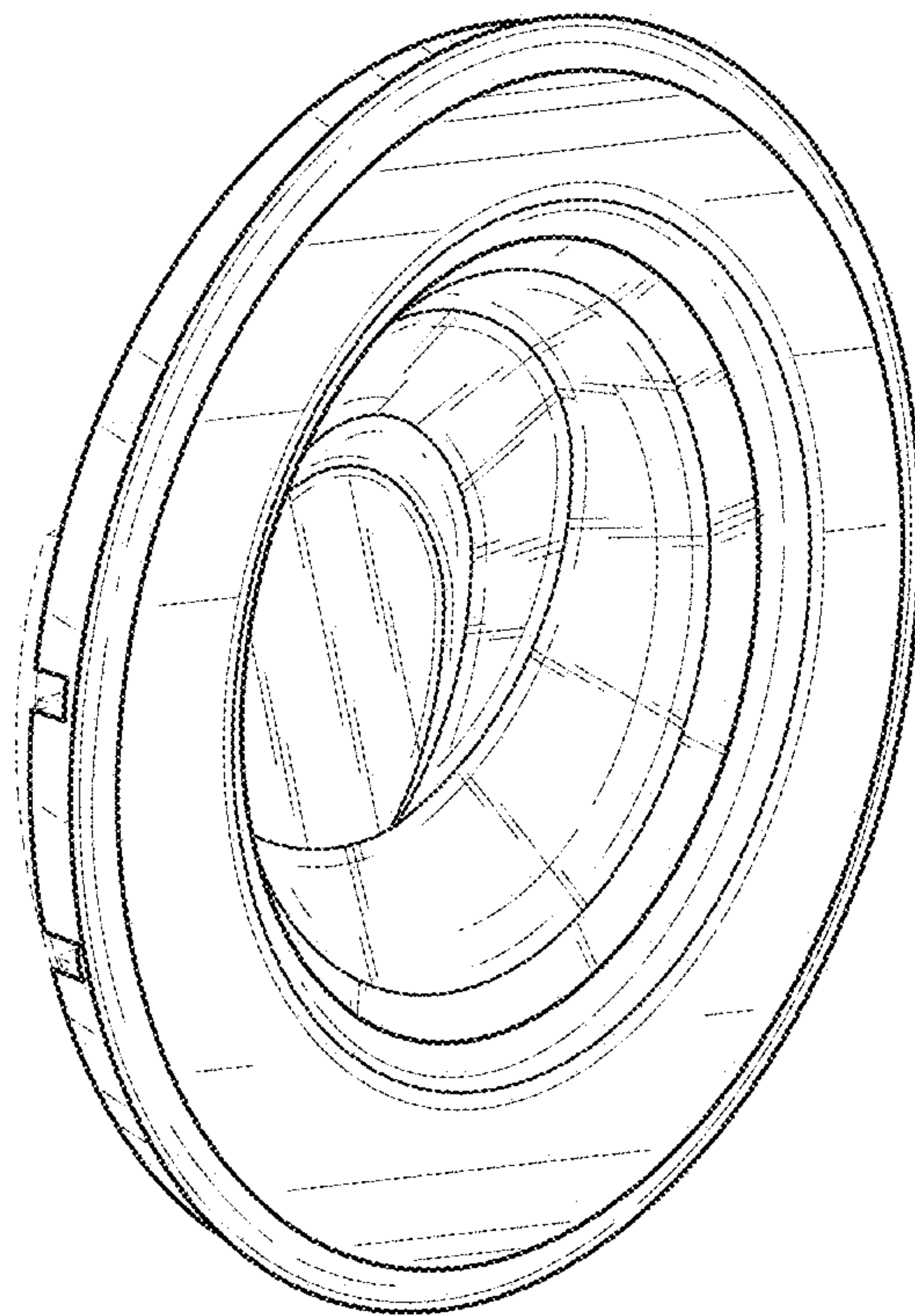


FIG. 16