

US00D690478S

(12) **United States Design Patent**  
**Li et al.**

(10) **Patent No.:** **US D690,478 S**  
(45) **Date of Patent:** **\*\* Sep. 24, 2013**

(54) **MOBILE ROBOTIC VACUUM CLEANER**

(71) Applicant: **Egenpower Inc.**, Laguna Niguel (CA)

(72) Inventors: **Gary Li**, Dong Guan (CN); **Sheng-Chan Chiu**, Burnaby (CA)

(73) Assignee: **Egenpower Inc.**, Laguna Niguel, CA (US)

(\*\*) Term: **14 Years**

(21) Appl. No.: **29/437,107**

(22) Filed: **Nov. 13, 2012**

(51) **LOC (9) Cl.** ..... **15-05**

(52) **U.S. Cl.**  
USPC ..... **D32/21**

(58) **Field of Classification Search**  
USPC ..... D32/17-21, 23, 25, 31-33; 15/319-322,  
15/307, 327.1, 327.5-327.7, 353, 415.1-422,  
15/422.1, 329, 366, 383, 384, 400, 340.2,  
15/52.2, 50.2

See application file for complete search history.

(56) **References Cited**

U.S. PATENT DOCUMENTS

D524,495 S \* 7/2006 Ljunggren ..... D32/21  
D548,902 S \* 8/2007 Chun et al. .... D32/21  
D548,903 S \* 8/2007 Chun et al. .... D32/21

D556,961 S \* 12/2007 Swyst et al. .... D32/21  
D596,815 S \* 7/2009 Baek ..... D32/21  
D602,215 S \* 10/2009 Ljunggren ..... D32/21  
D658,341 S \* 4/2012 Nam et al. .... D32/21  
D661,440 S \* 6/2012 Lee et al. .... D32/21  
D665,547 S \* 8/2012 Nam et al. .... D32/21  
D669,235 S \* 10/2012 Bassett et al. .... D32/21  
D670,877 S \* 11/2012 Geringer et al. .... D32/21

\* cited by examiner

*Primary Examiner* — Ruth McInroy

(74) *Attorney, Agent, or Firm* — Muncy, Geissler, Olds & Lowe, PLLC

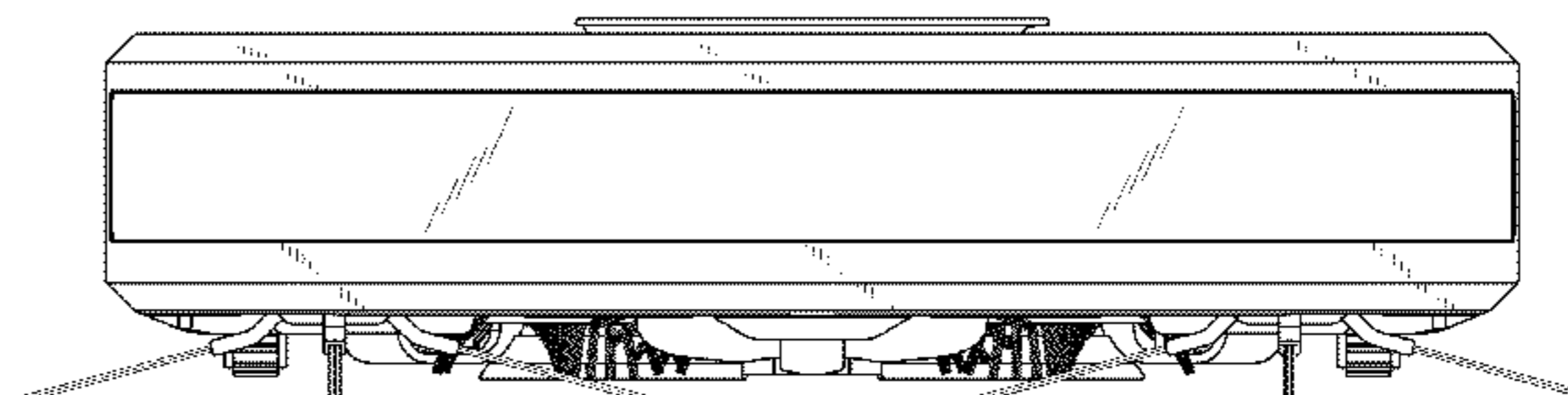
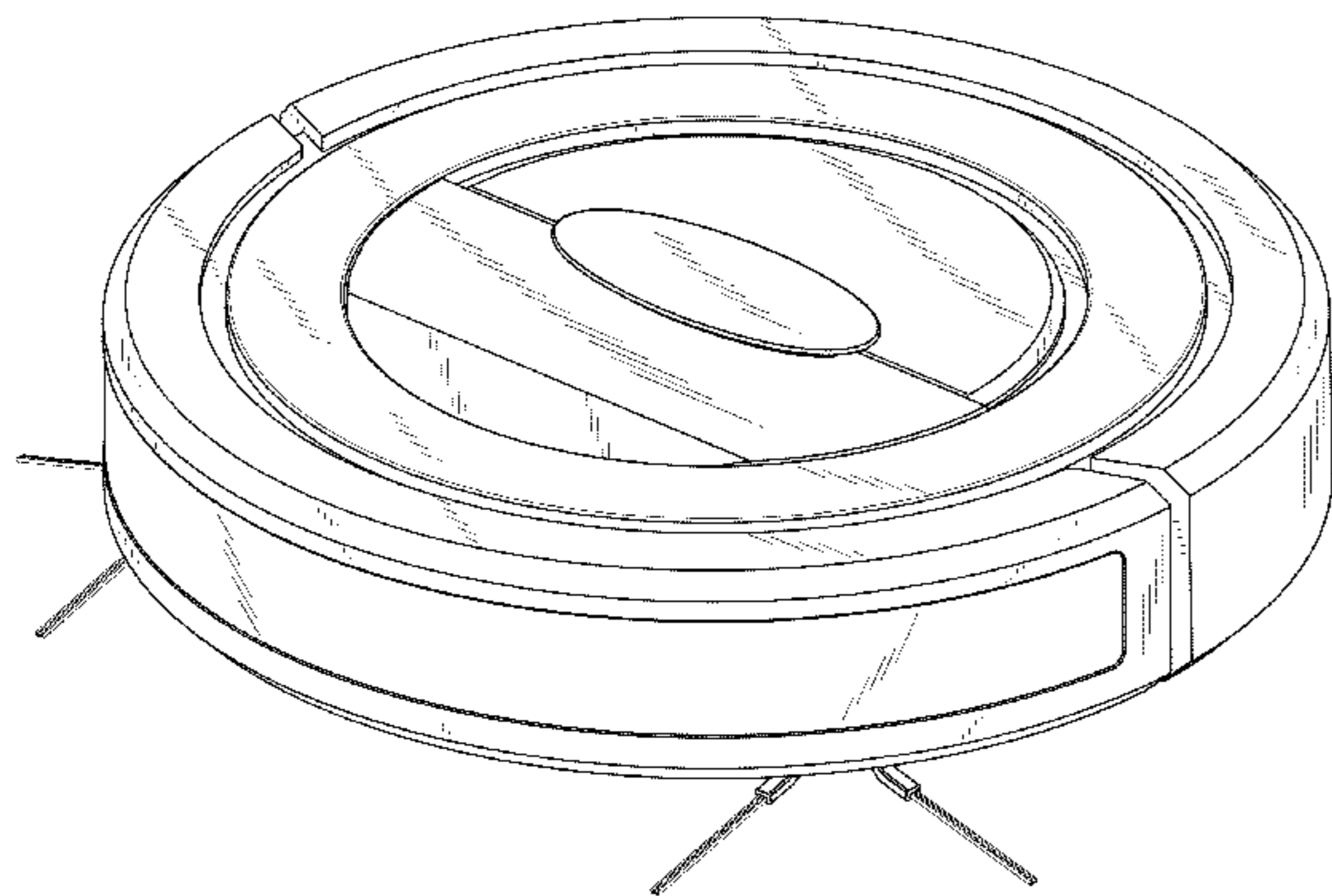
(57) **CLAIM**

The ornamental design for a mobile robotic vacuum cleaner, as shown and described.

**DESCRIPTION**

FIG. 1 is a top perspective view of a mobile robotic vacuum cleaner showing our new design;  
FIG. 2 is a front view thereof;  
FIG. 3 is a rear view thereof;  
FIG. 4 is a left side view thereof;  
FIG. 5 is a top view thereof;  
FIG. 6 is a bottom view thereof; and,  
FIG. 7 is a bottom perspective view thereof.

**1 Claim, 6 Drawing Sheets**



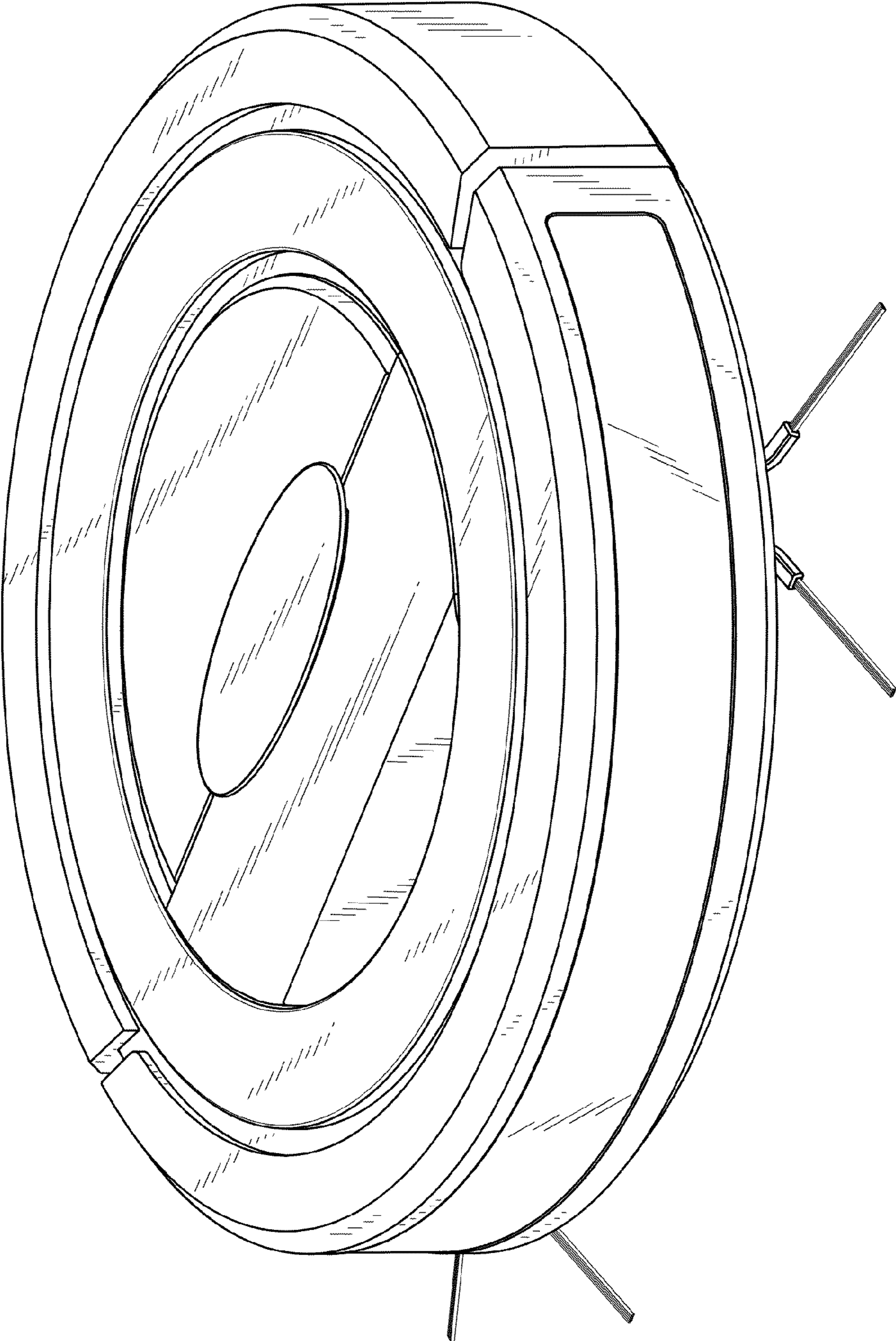


FIG. 1

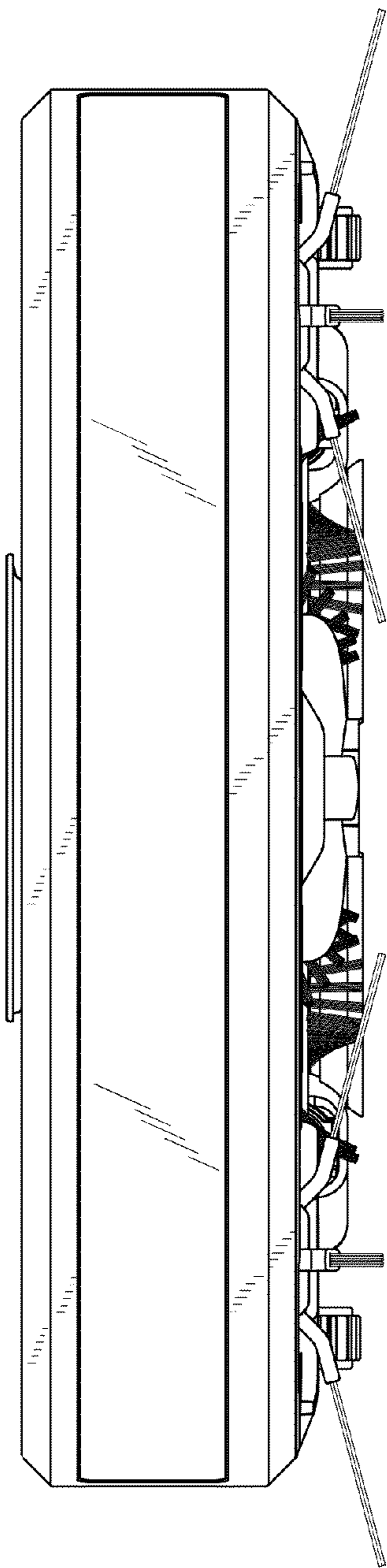


FIG. 2

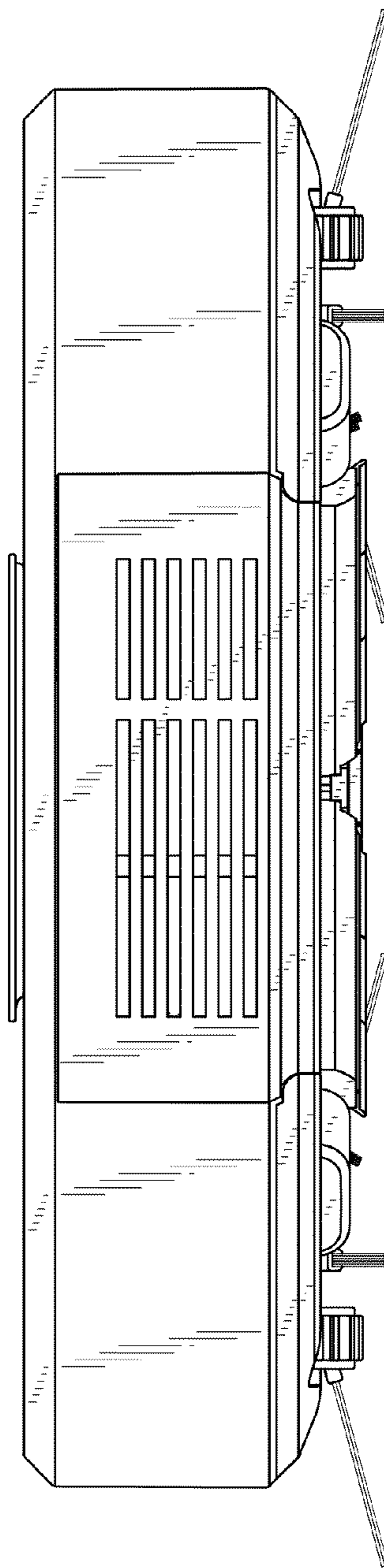


FIG. 3

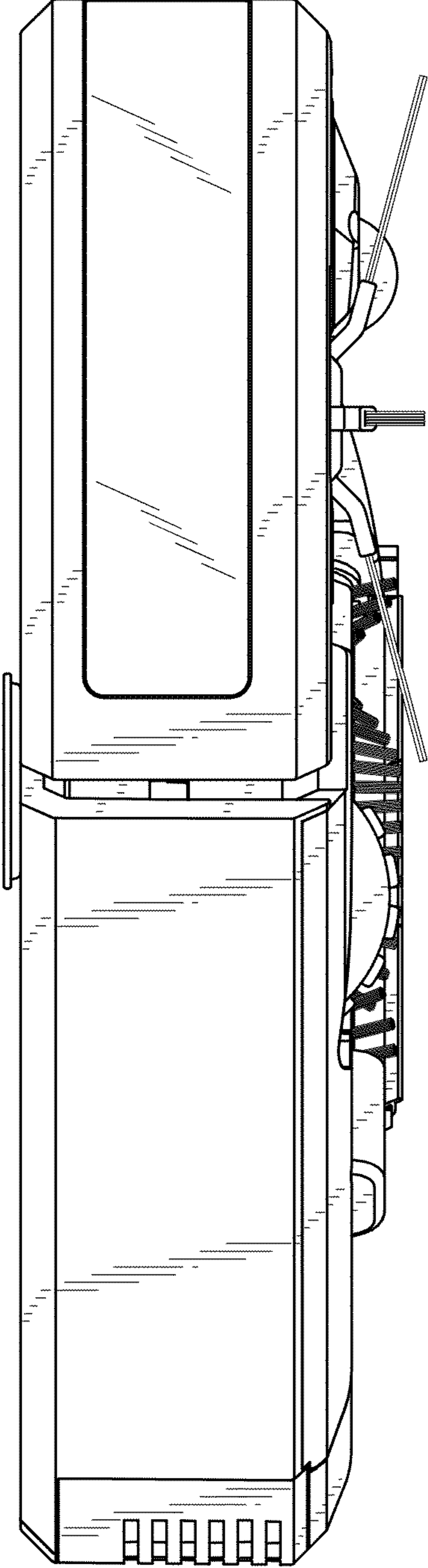


FIG. 4

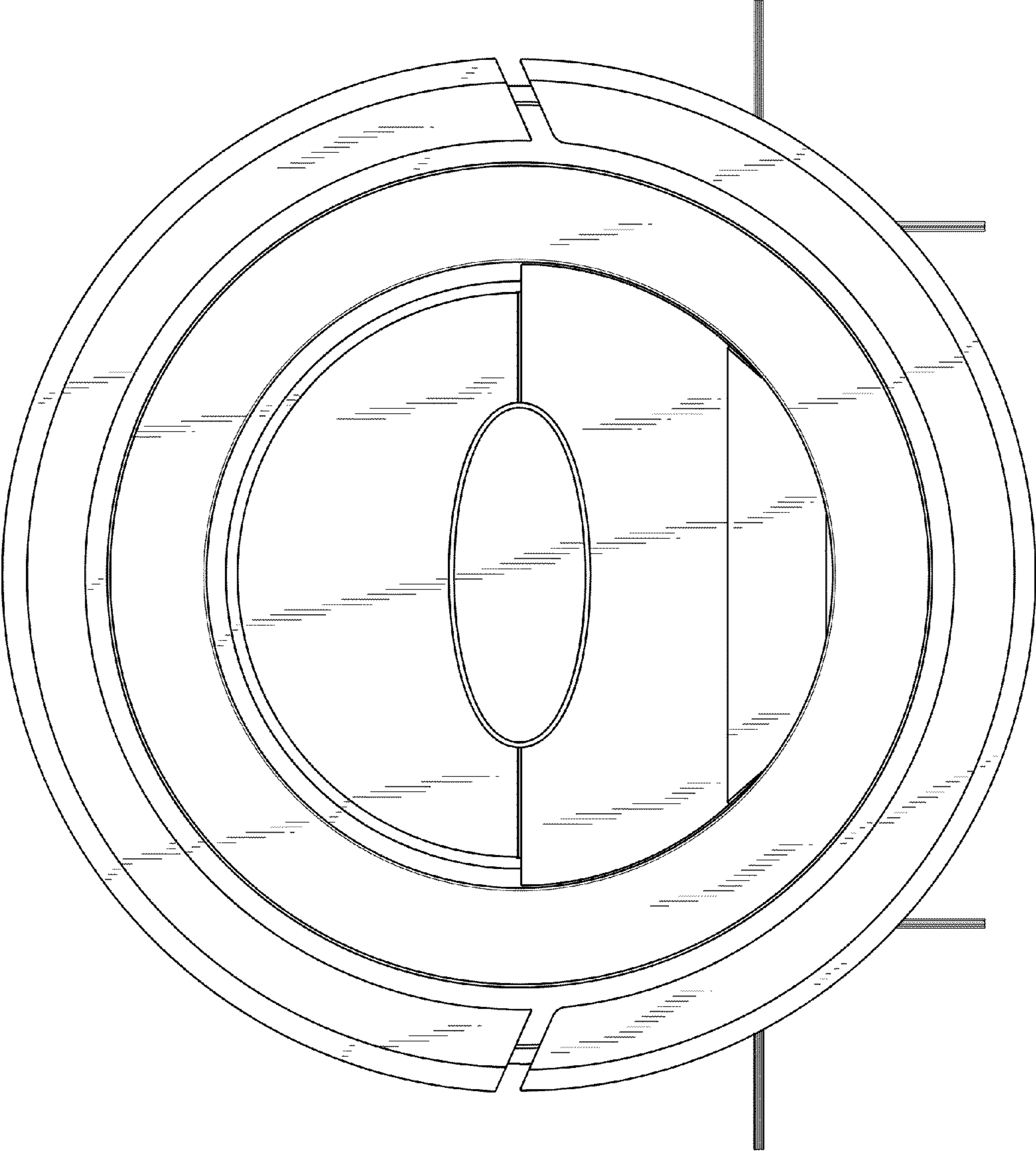


FIG. 5

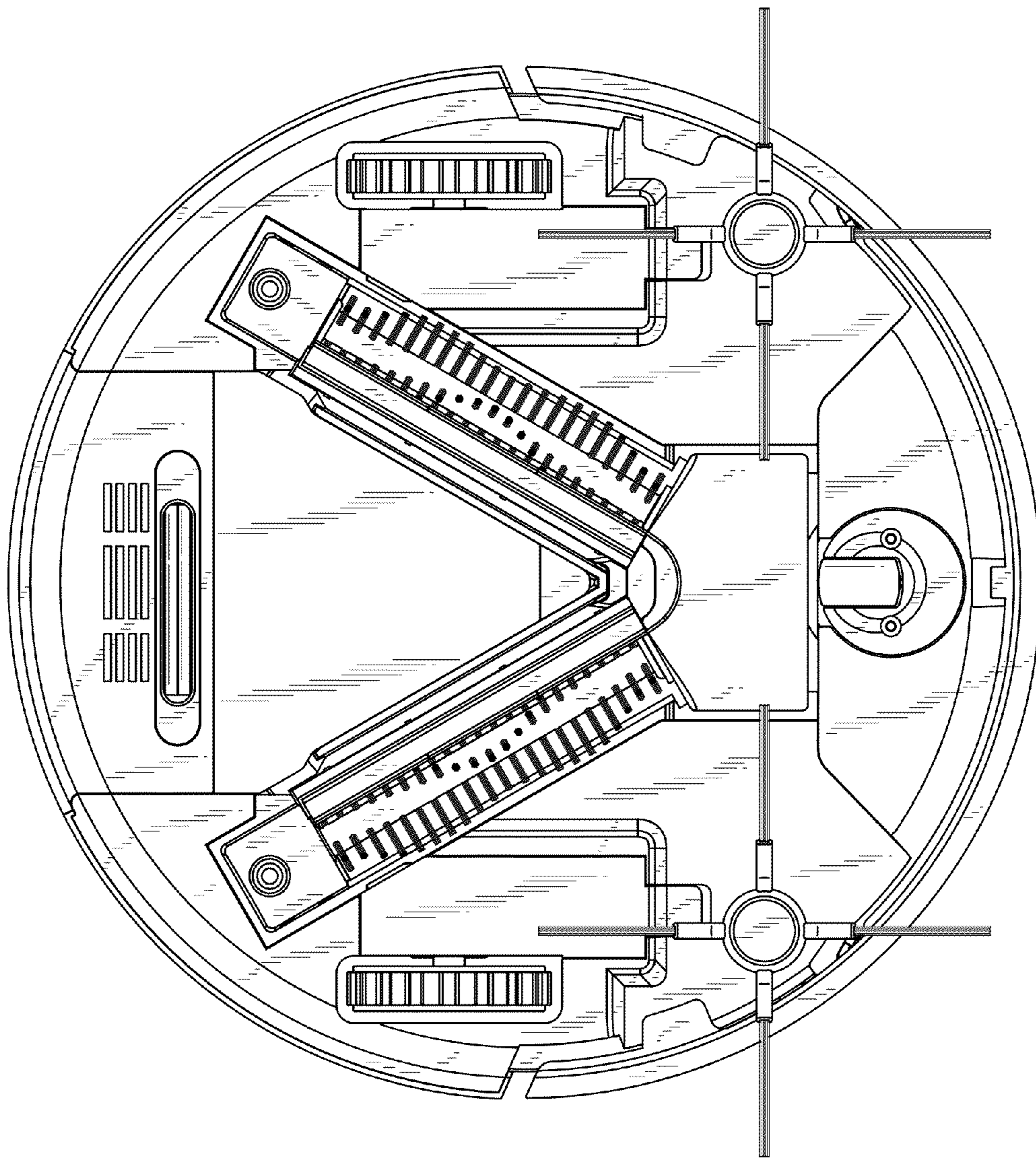


FIG. 6

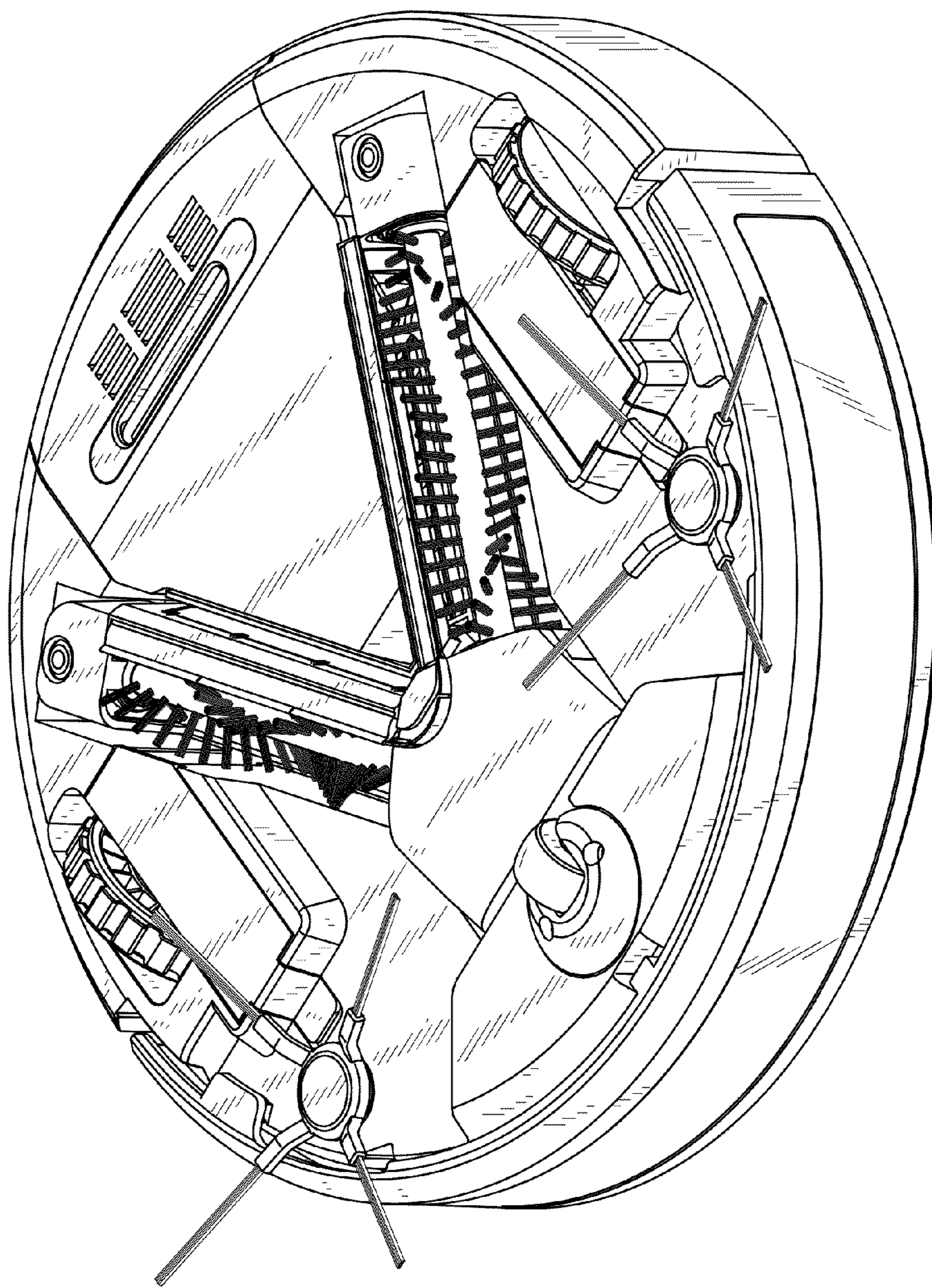


FIG. 7