



US00D690477S

(12) **United States Design Patent**  
**Lee et al.**

(10) **Patent No.:** **US D690,477 S**  
(45) **Date of Patent:** **\*\* Sep. 24, 2013**

(54) **VACUUM CLEANER**

(56) **References Cited**

(75) Inventors: **Hyun Il Lee**, Seoul (KR); **Kyung Tae Kim**, Suwon (KR); **Joo-Hyung Kim**, Seoul (KR); **Gwanwoo Shin**, Gwachun-si (KR)

U.S. PATENT DOCUMENTS

D187,065	S	*	1/1960	Chapman	.....	D32/23
D212,257	S	*	9/1968	Schaefer et al.	.....	D32/23
D214,340	S	*	6/1969	Schaefer et al.	.....	D32/23
D233,645	S	*	11/1974	Diehl	.....	D32/23
D583,115	S	*	12/2008	Lam	.....	D32/21
D653,824	S	*	2/2012	Kim et al.	.....	D32/21
D655,871	S	*	3/2012	Kim et al.	.....	D32/21

(73) Assignee: **Samsung Electronics Co., Ltd.**, Gyeonggi-do (KR)

\* cited by examiner

*Primary Examiner* — Ruth McInroy

(74) *Attorney, Agent, or Firm* — Harness, Dickey & Pierce, P.L.C.

(\*\*) Term: **14 Years**

(57) **CLAIM**

(21) Appl. No.: **29/424,750**

We claim the ornamental design for a vacuum cleaner, as shown and described.

(22) Filed: **Jun. 15, 2012**

**DESCRIPTION**

(51) **LOC (9) Cl.** ..... **15-05**

(52) **U.S. Cl.**  
USPC ..... **D32/21**

(58) **Field of Classification Search**  
USPC ..... D32/18, 21, 23–24, 31; 15/319–321, 15/353, 347, 327.1–327.2, 327.4, 327.6–327.7, 15/329, 340.2; 55/DIG. 3, 375

FIG. 1 is a top, front and right-side perspective view of a vacuum cleaner showing our new design;  
FIG. 2 is a front elevational view thereof;  
FIG. 3 is a rear elevational view thereof;  
FIG. 4 is a left side elevational view thereof;  
FIG. 5 is a right side elevational view thereof; and,  
FIG. 6 is a top plan view thereof.

See application file for complete search history.

**1 Claim, 6 Drawing Sheets**

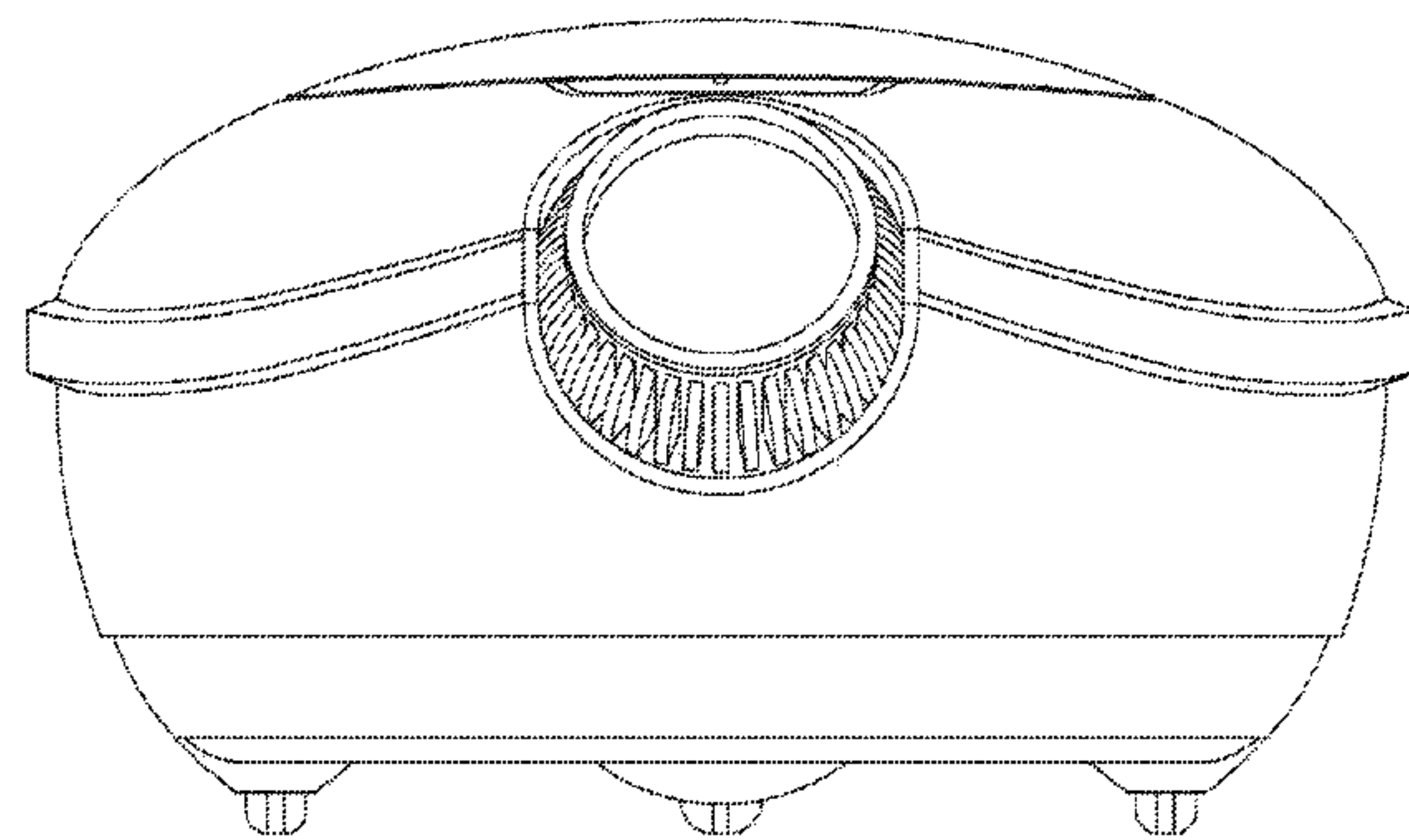
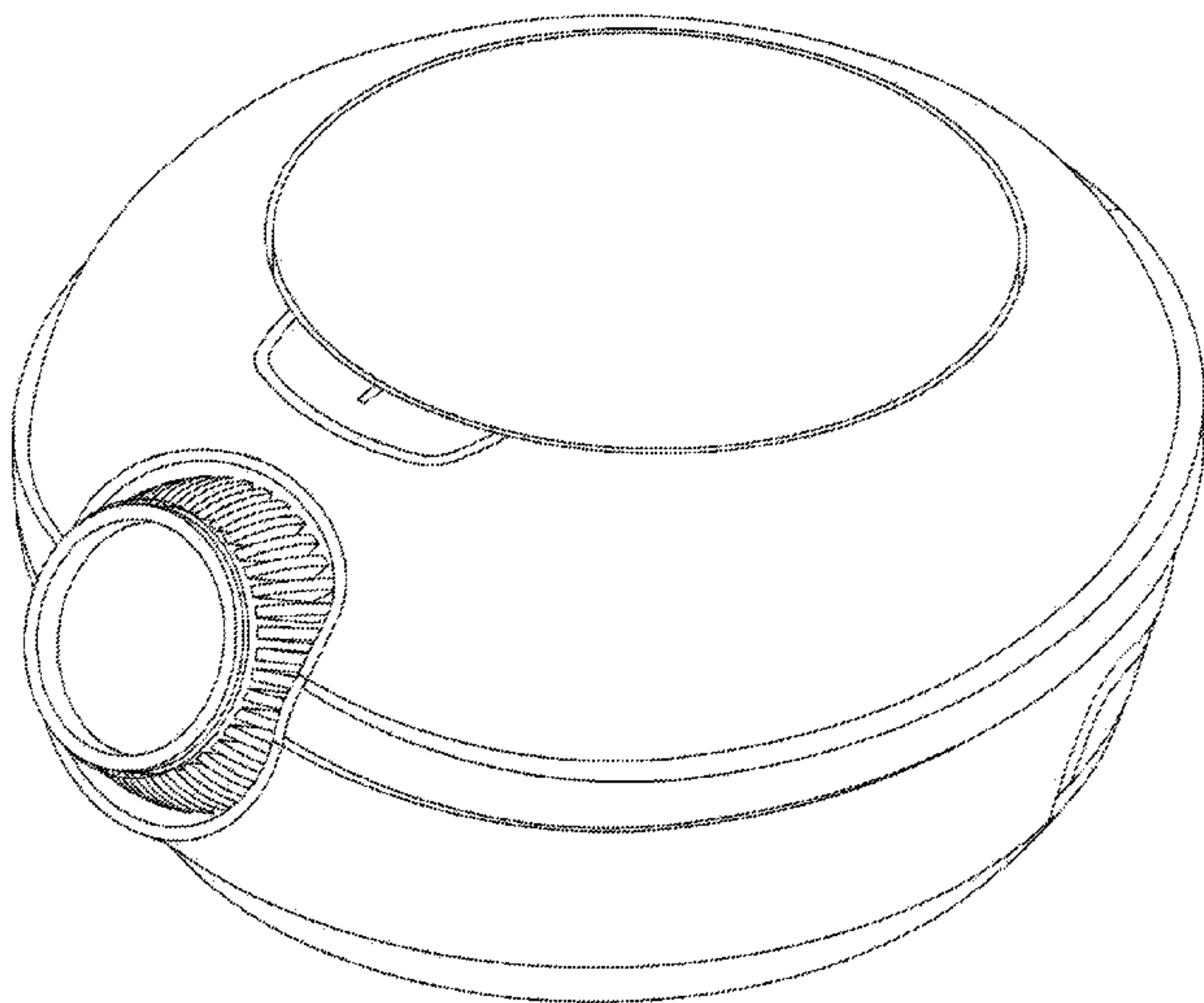


FIG. 1

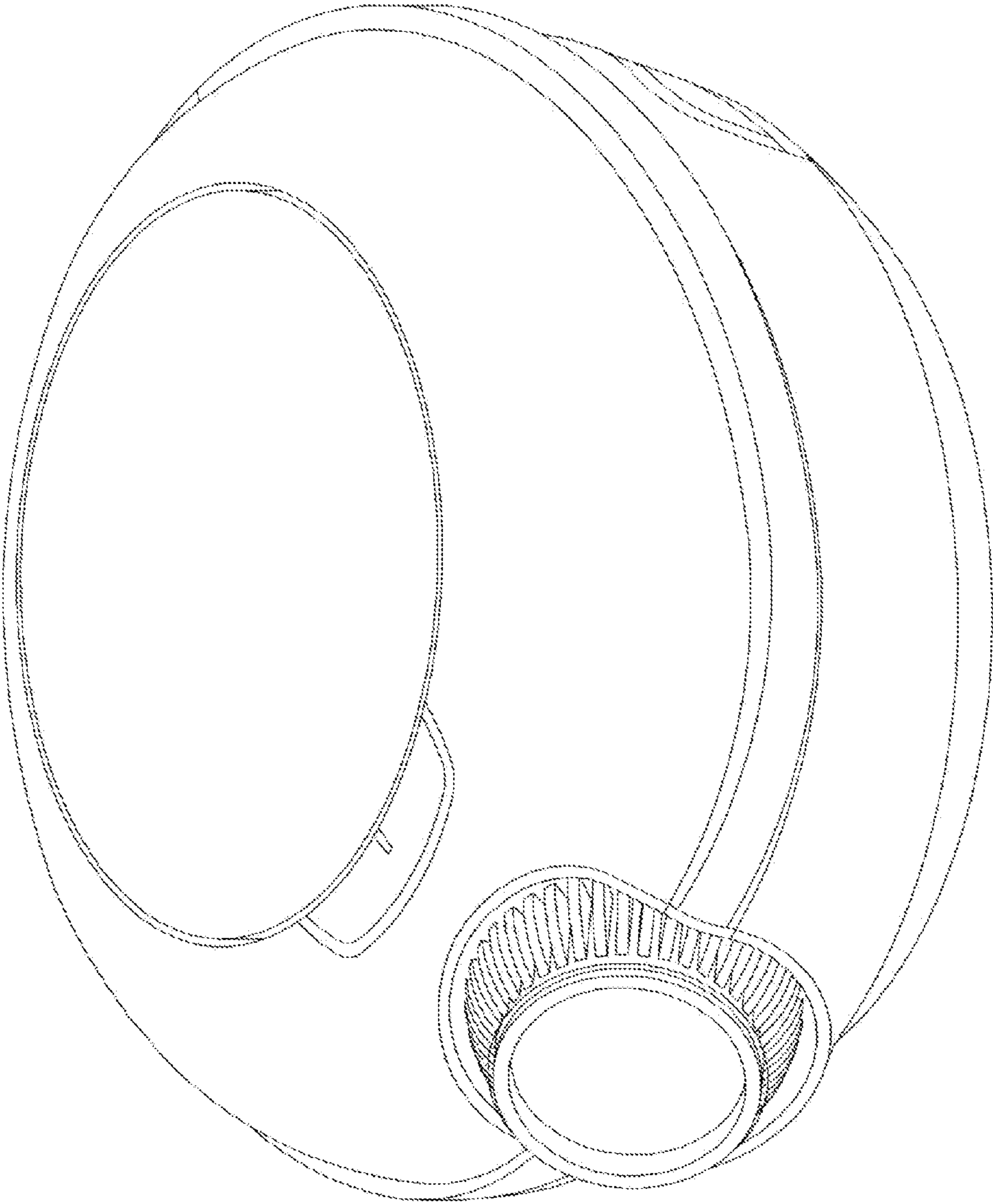


FIG. 2

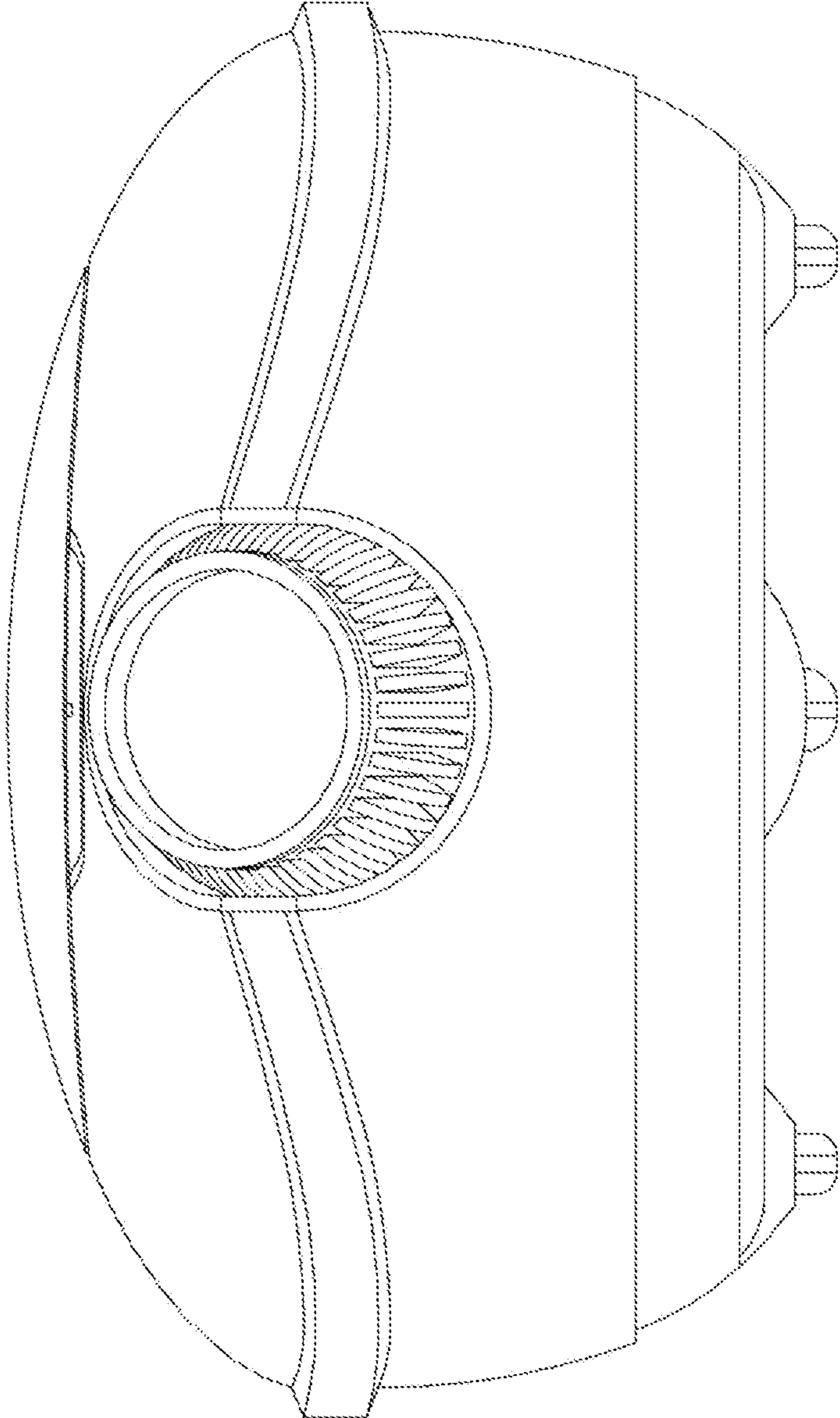


FIG. 3

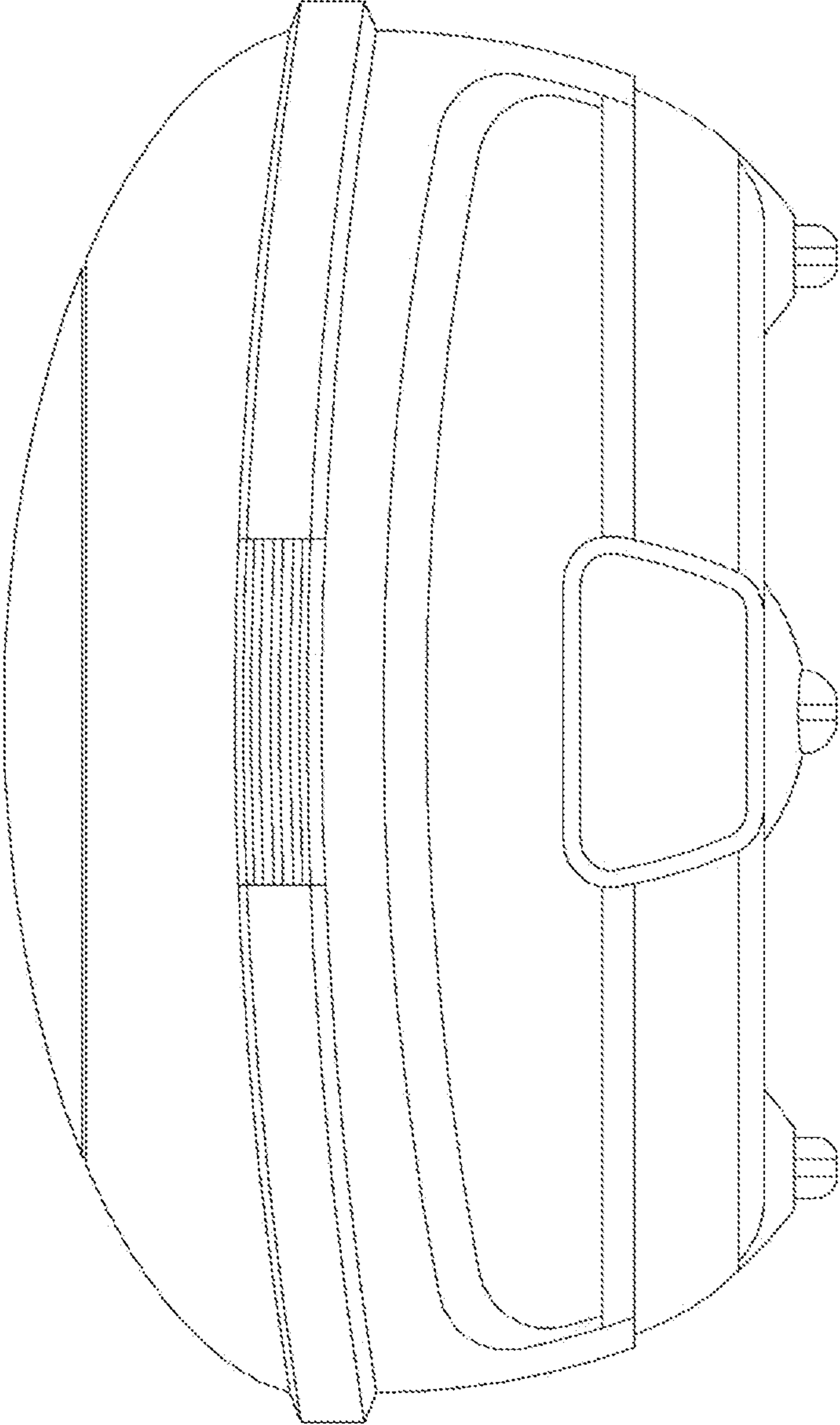


FIG. 4

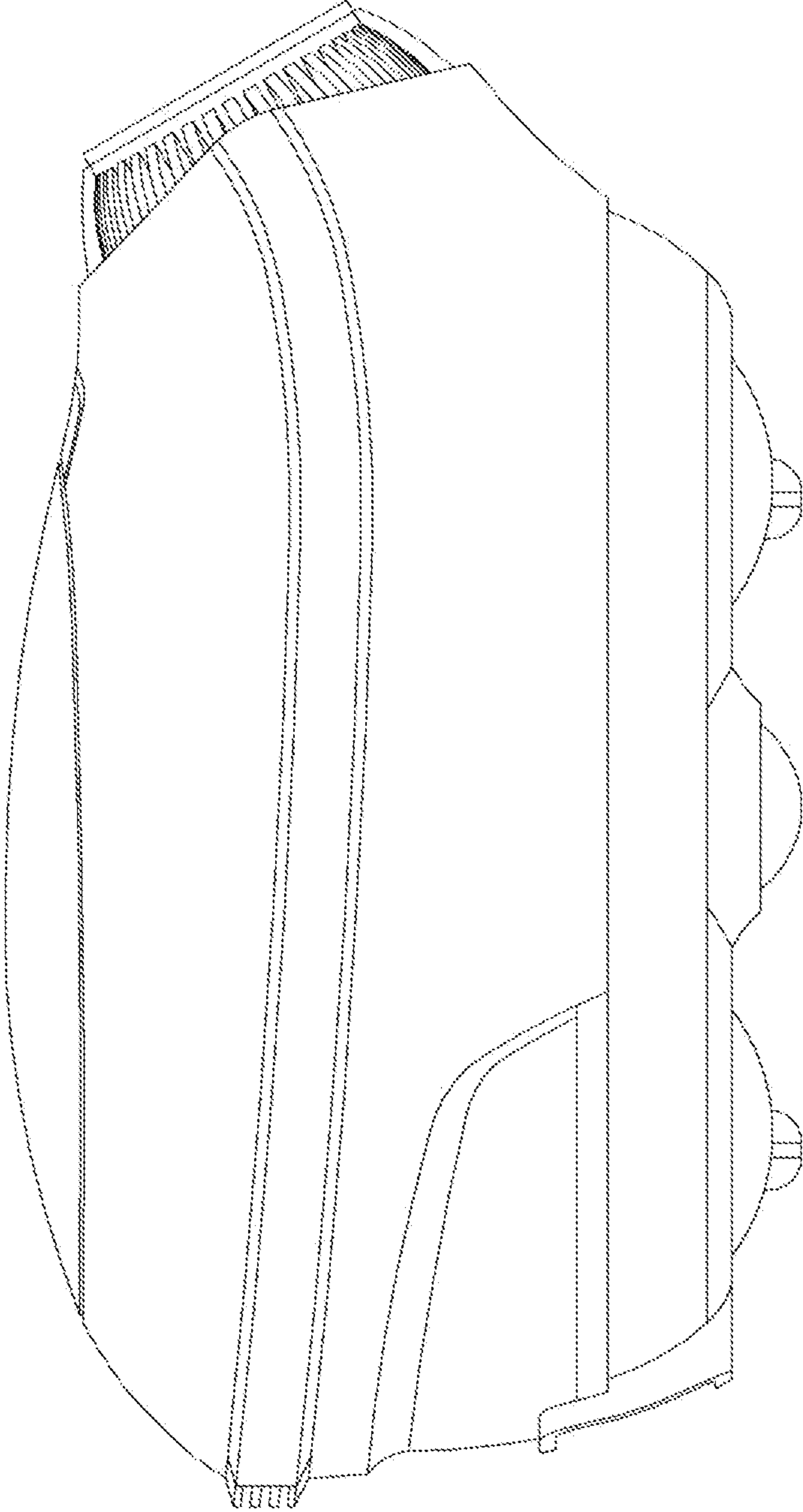




FIG. 5

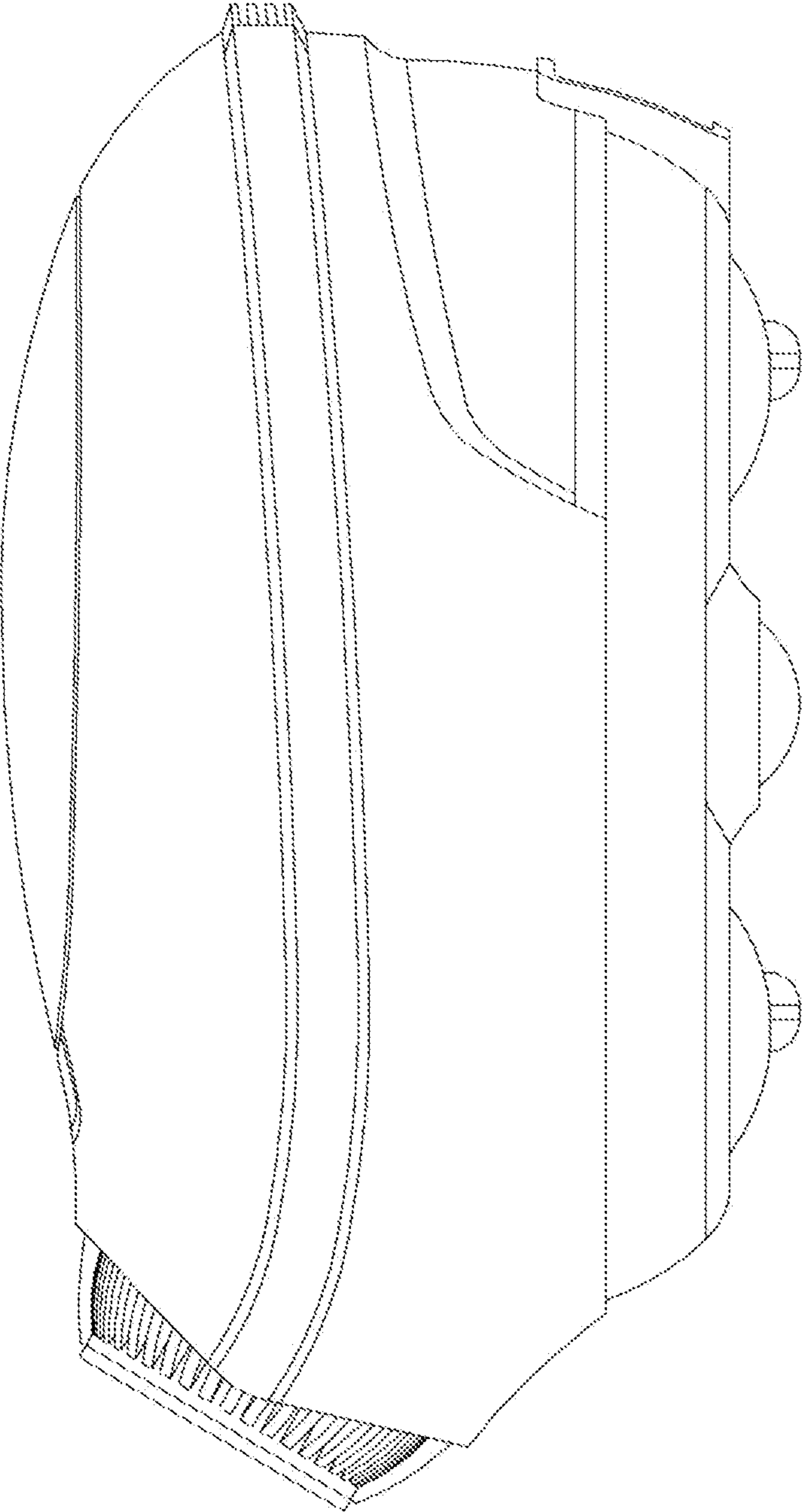


FIG. 6

