



US00D690470S

(12) **United States Design Patent**
Manson

(10) **Patent No.:** **US D690,470 S**

(45) **Date of Patent:** **** Sep. 24, 2013**

(54) **HELMET**

(71) Applicant: **Jeffrey Manson**, Vancouver (CA)

(72) Inventor: **Jeffrey Manson**, Vancouver (CA)

(**) Term: **14 Years**

(21) Appl. No.: **29/436,777**

(22) Filed: **Nov. 8, 2012**

(51) **LOC (9) Cl.** **02-03**

(52) **U.S. Cl.**
USPC **D29/102**

(58) **Field of Classification Search**
USPC D29/102-107, 122, 109-112; 2/5,
2/6.3, 3.7, 411-425, 171-173, 205-206,
2/9, 195, 1, 181.4, 906, 202, 10, 6.6, 410,
2/183; D2/867-868, 870, 878-880, 882,
D2/886-888, 893, 869, 866; D21/659-661;
D14/129; 345/8; 348/157, 347, 82

See application file for complete search history.

(56) **References Cited**

U.S. PATENT DOCUMENTS

D136,649 S *	11/1943	Dannenberg	D2/879
D192,071 S *	1/1962	Tucker	D29/104
D371,224 S *	6/1996	Carlson et al.	D29/102
D524,993 S *	7/2006	Stokes	D29/122
D537,239 S *	2/2007	Puett, III	D2/882
D541,014 S *	4/2007	Cordes et al.	D2/882
D567,480 S *	4/2008	Harris et al.	D2/882
D568,029 S *	5/2008	Niles	D2/882

D629,183 S *	12/2010	Adams et al.	D2/882
D635,743 S *	4/2011	Johnson	D2/882
D636,562 S *	4/2011	Lam et al.	D2/882
D646,469 S *	10/2011	Kutzner	D2/882
D654,251 S *	2/2012	Alkas-Shamoun	D2/882
D663,926 S *	7/2012	Richards	D2/882
D672,535 S *	12/2012	Phan	D2/882
D675,404 S *	2/2013	Parker	D2/882
2010/0107317 A1 *	5/2010	Wang	2/411
2012/0311772 A1 *	12/2012	Krause	2/410

* cited by examiner

Primary Examiner — Ruth McInroy

(74) *Attorney, Agent, or Firm* — Baumgartner Patent Law;
Marc Baumgartner

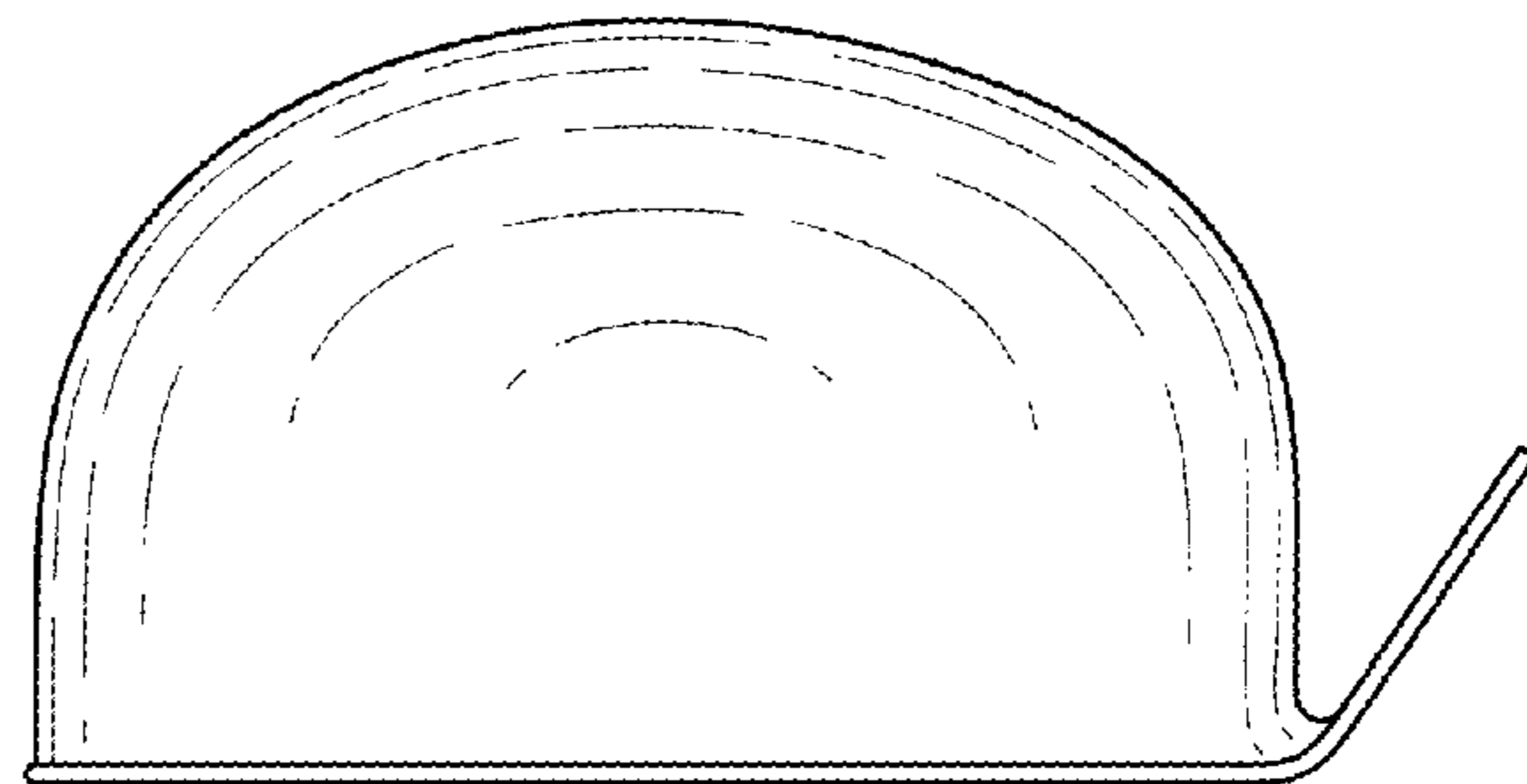
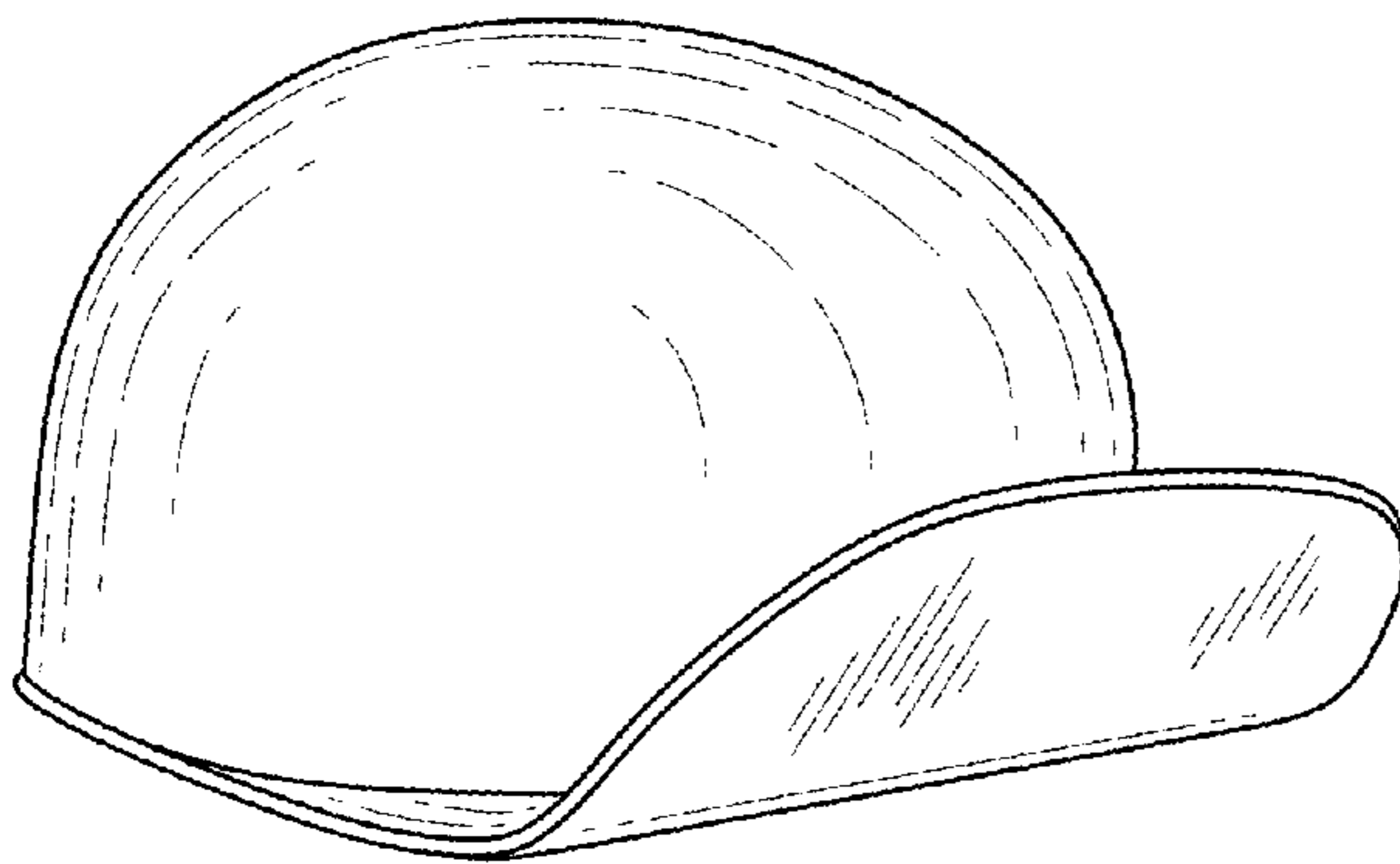
(57) **CLAIM**

The ornamental design for a helmet, as shown and described.

DESCRIPTION

FIG. 1 is a top, front and left side perspective view of a helmet showing my new design;
FIG. 2 is a left side view thereof;
FIG. 3 is a right side view thereof;
FIG. 4 is a front view thereof;
FIG. 5 is a rear view thereof;
FIG. 6 is a top plan view thereof; and,
FIG. 7 is a bottom plan view thereof.
The broken lines in the drawings depict portions that are not part of the claimed design, but rather show the environment in which the design is associated.

1 Claim, 4 Drawing Sheets



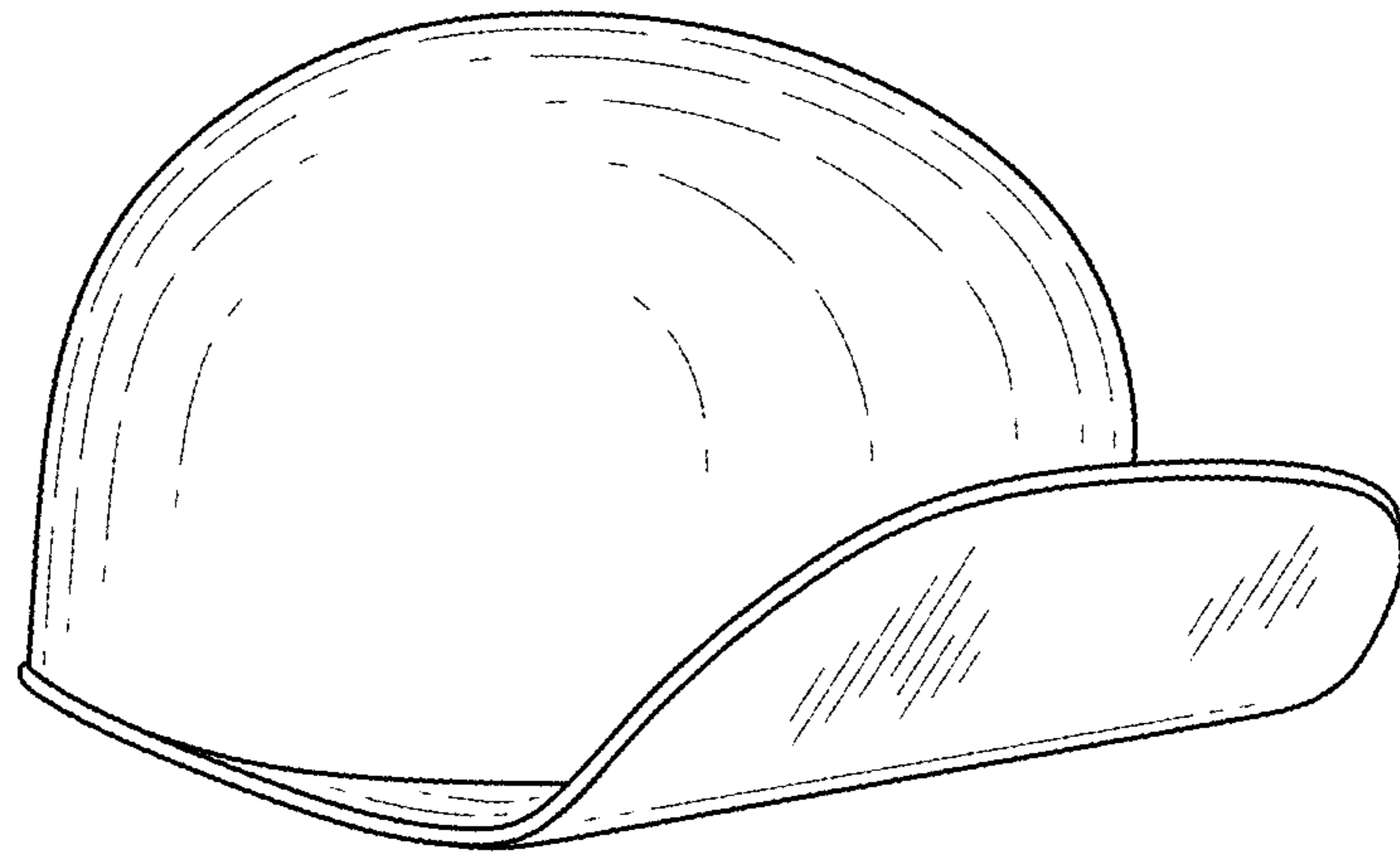


FIG. 1

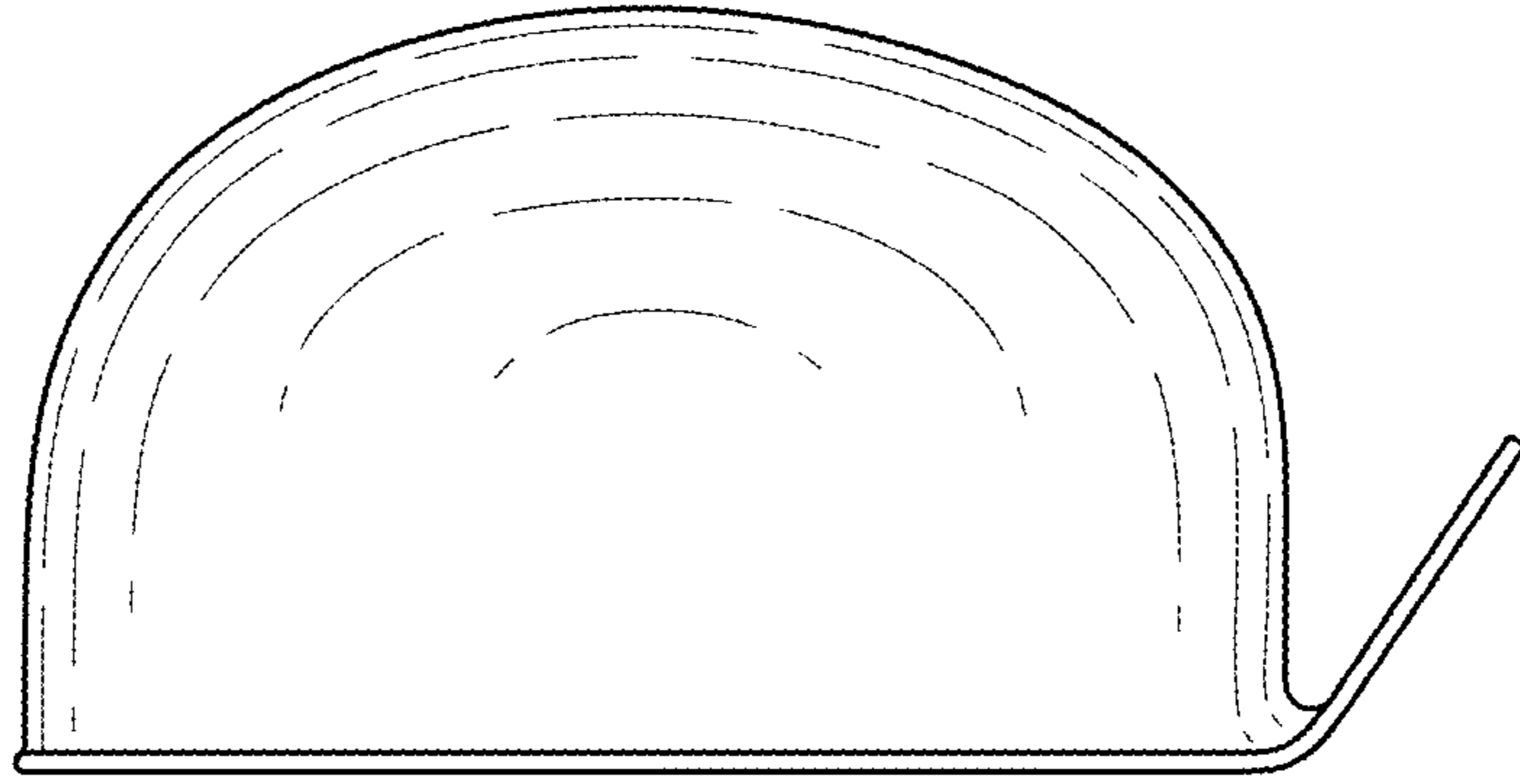


FIG. 2

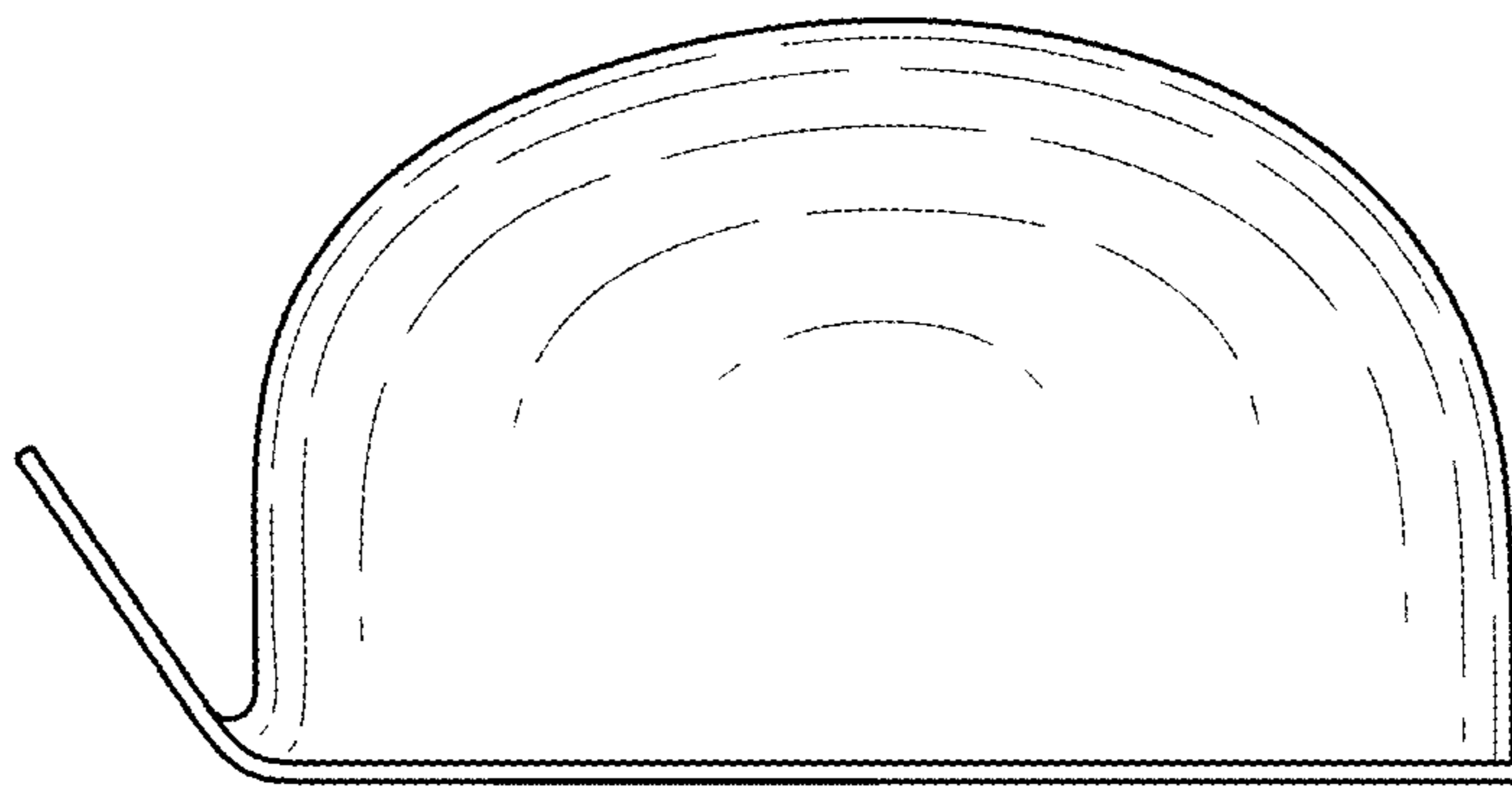


FIG. 3

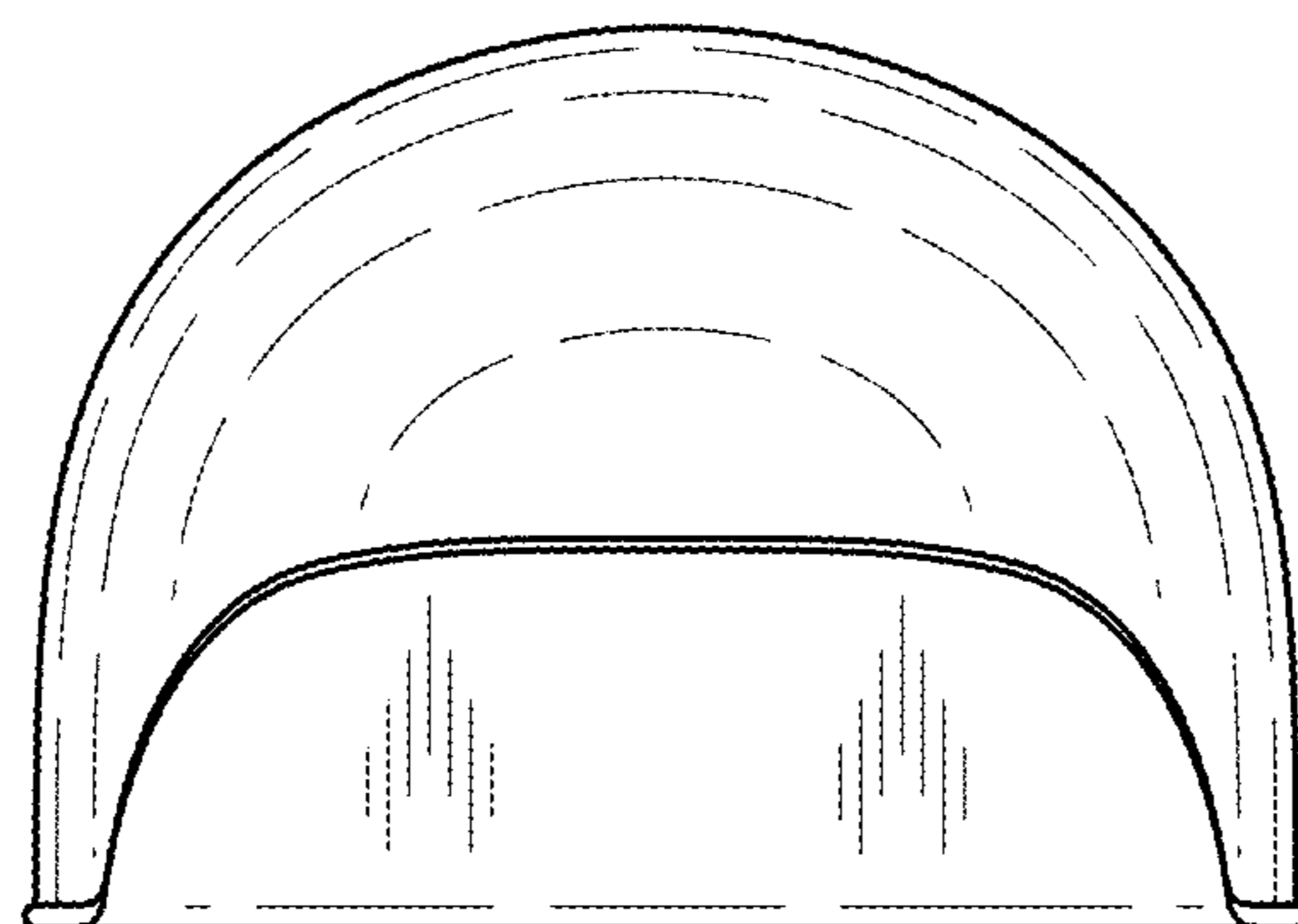


FIG. 4

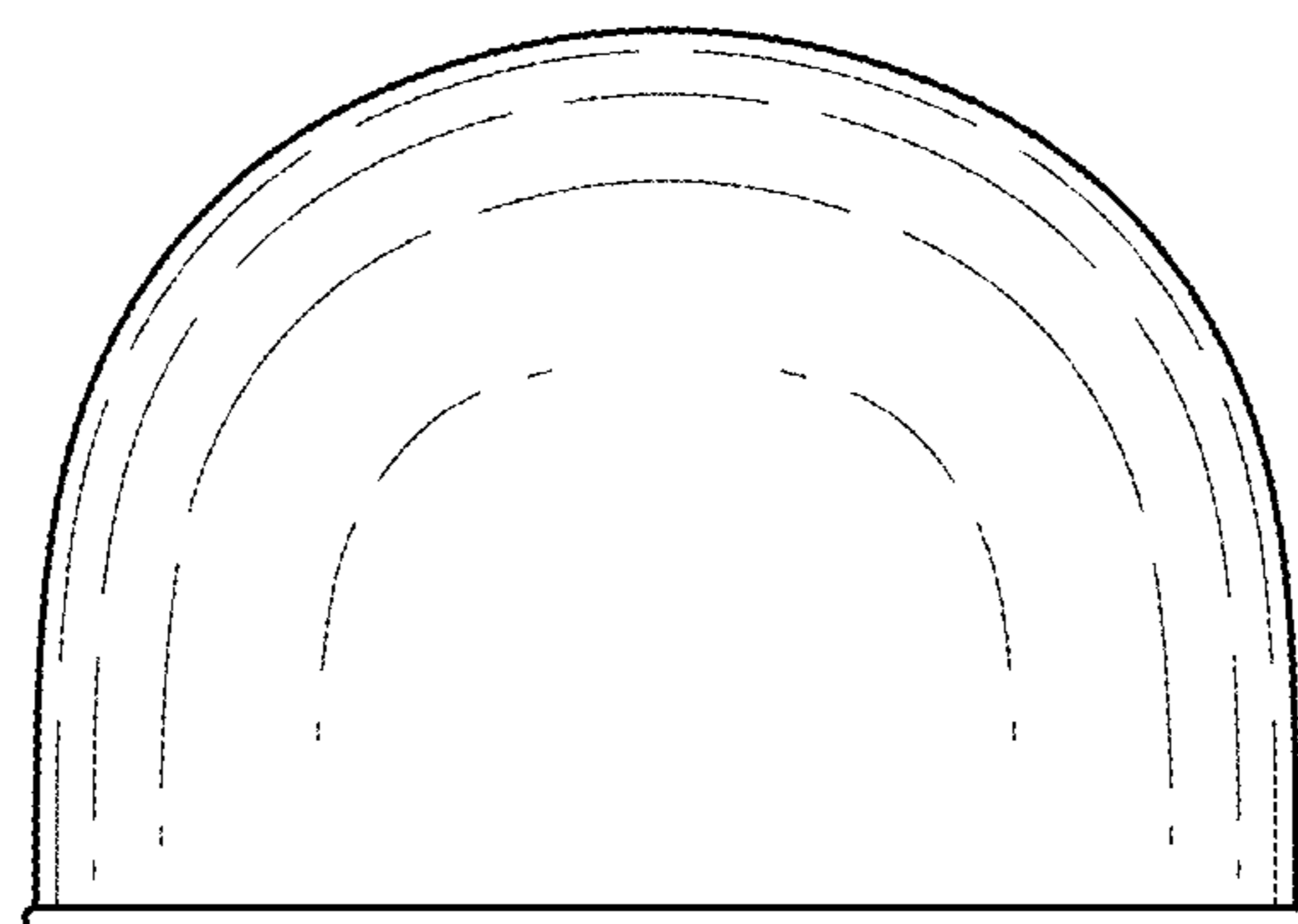


FIG. 5

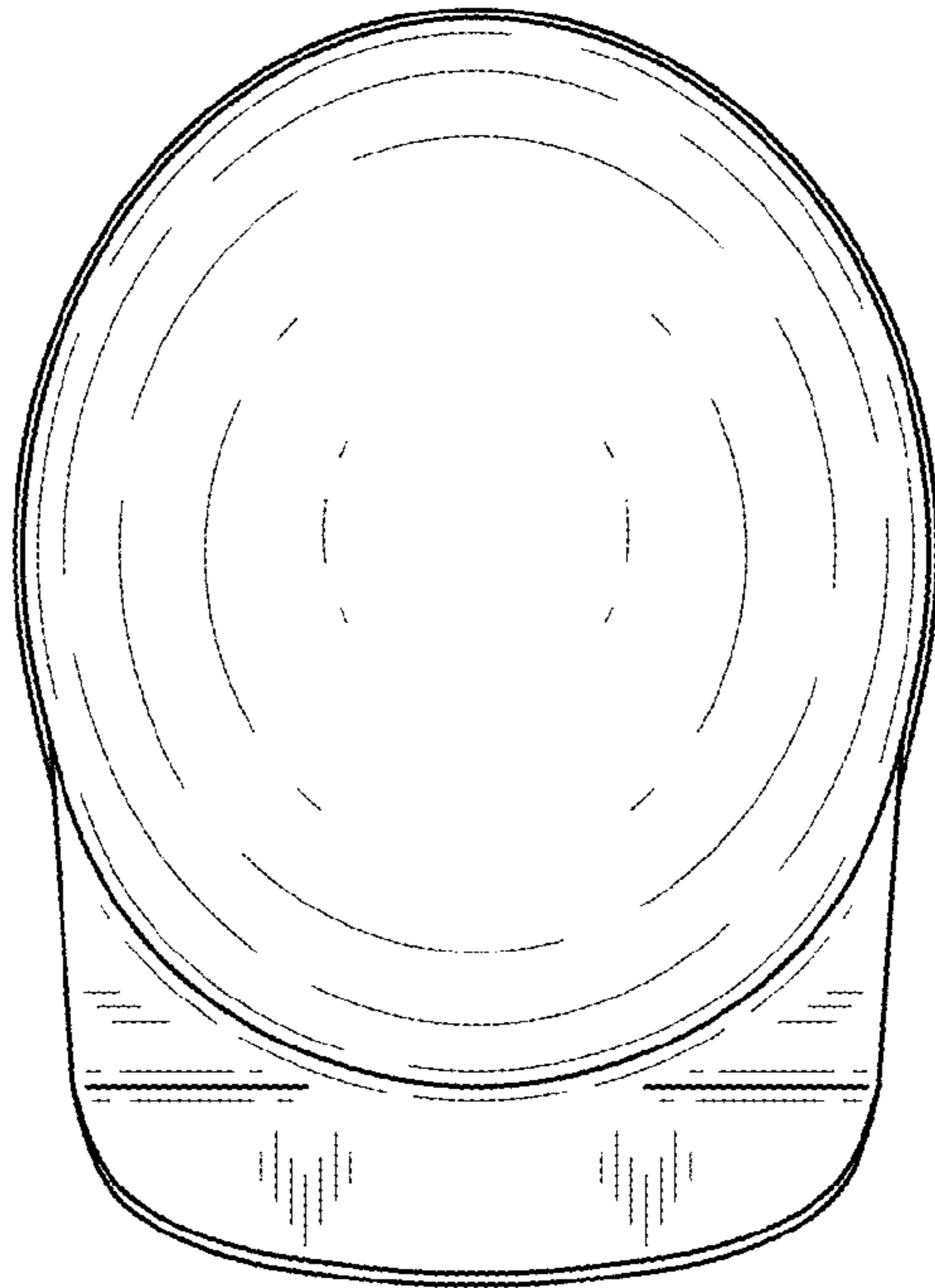


FIG. 6

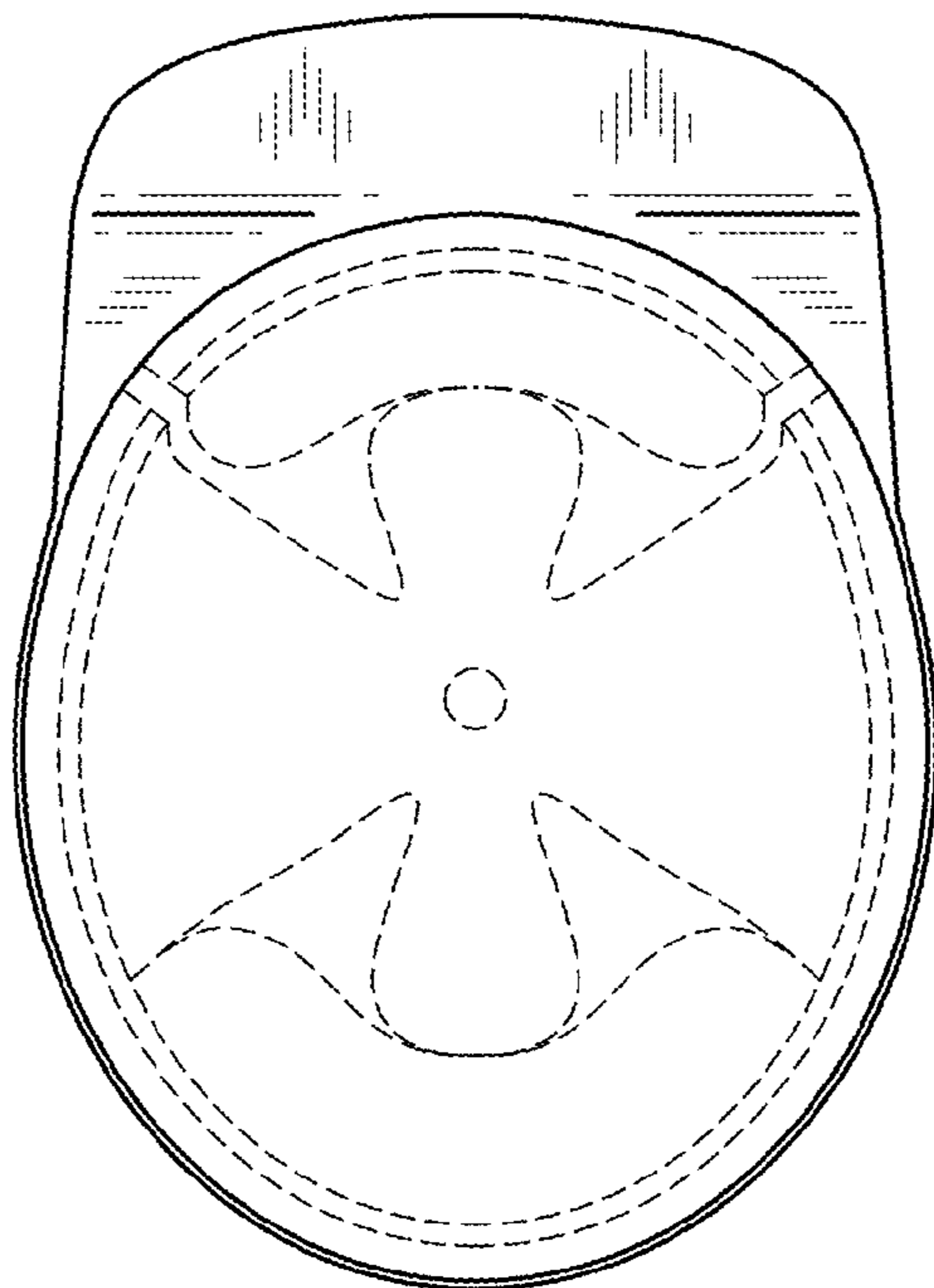


FIG. 7