



US00D690467S

(12) **United States Design Patent**
Jing

(10) **Patent No.:** **US D690,467 S**

(45) **Date of Patent:** **** Sep. 24, 2013**

(54) **NAIL DRYER**

(76) Inventor: **Wenri Jing**, Guandong (CN)

(**) Term: **14 Years**

(21) Appl. No.: **29/423,416**

(22) Filed: **May 31, 2012**

(51) **LOC (9) Cl.** **28-03**

(52) **U.S. Cl.**
USPC **D28/58; D28/54.1**

(58) **Field of Classification Search**
USPC D28/54.1, 56-58; 250/492.1, 504 R-504 H;
D24/210; 34/275, 202, 90; 132/73-76.5
See application file for complete search history.

(56) **References Cited**

U.S. PATENT DOCUMENTS

D450,389 S *	11/2001	Chang	D24/210
D451,247 S *	11/2001	Khalaj	D28/54.1
D532,931 S *	11/2006	Chang	D24/210
D641,105 S *	7/2011	Chan	D28/58
D643,576 S *	8/2011	Chan	D28/58
D662,259 S *	6/2012	Vu et al.	D28/58

2011/0139167 A1 *	6/2011	Li et al.	132/73
2011/0277338 A1 *	11/2011	Li et al.	34/275
2012/0060757 A1 *	3/2012	Li et al.	118/620

* cited by examiner

Primary Examiner — Jennifer Rivard

(74) *Attorney, Agent, or Firm* — Global IP Services; Tianhua Gu

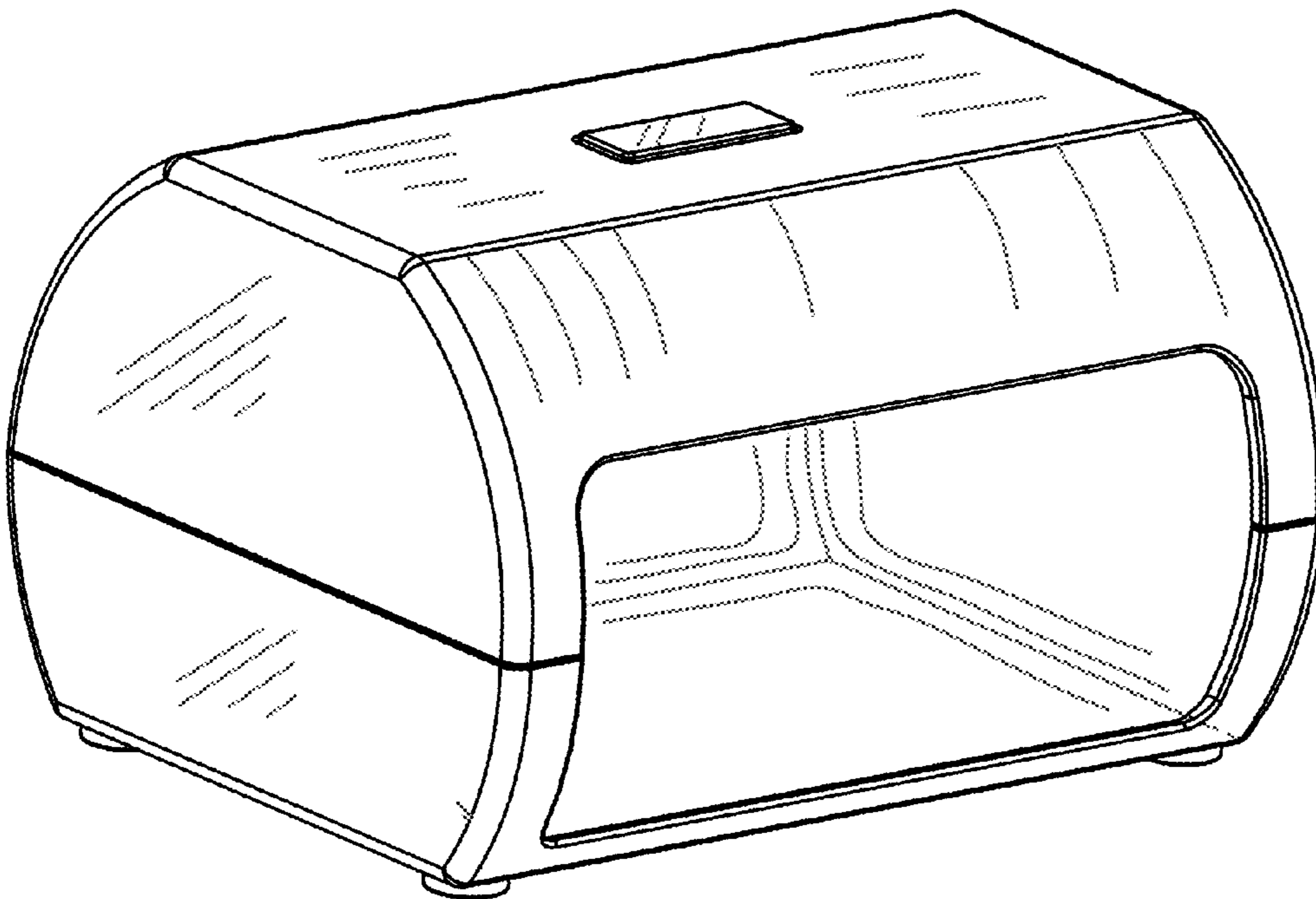
(57) **CLAIM**

The ornamental design for a nail dryer, as shown and described.

DESCRIPTION

FIG. 1 is a front perspective view of a nail dryer showing my new design;
FIG. 2 is a front elevation view thereof;
FIG. 3 is a rear elevation view thereof;
FIG. 4 is a left side elevation view thereof;
FIG. 5 is a right side elevation view thereof;
FIG. 6 is a top plan view thereof; and,
FIG. 7 is a bottom plan view thereof.

1 Claim, 5 Drawing Sheets



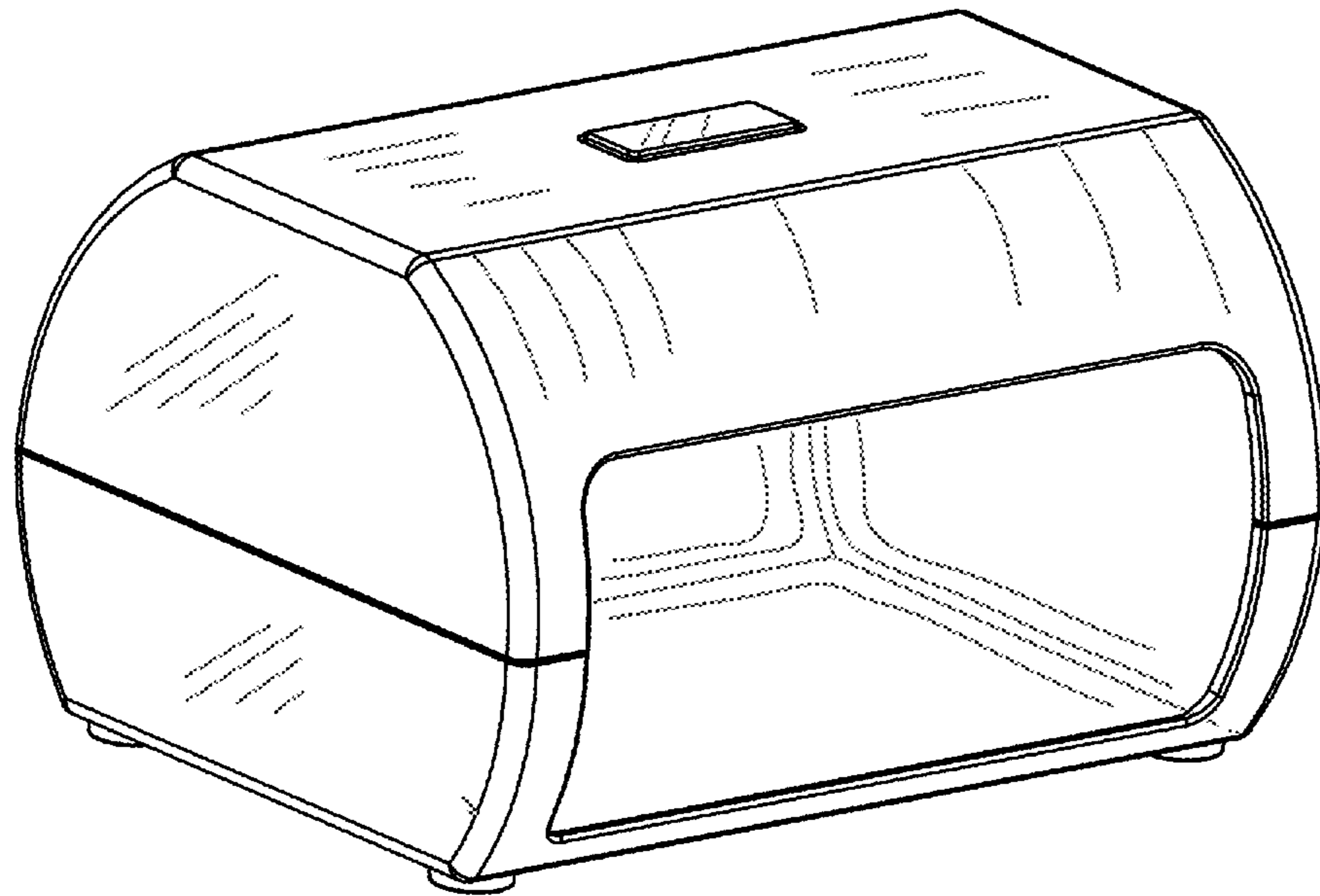


Fig. 1

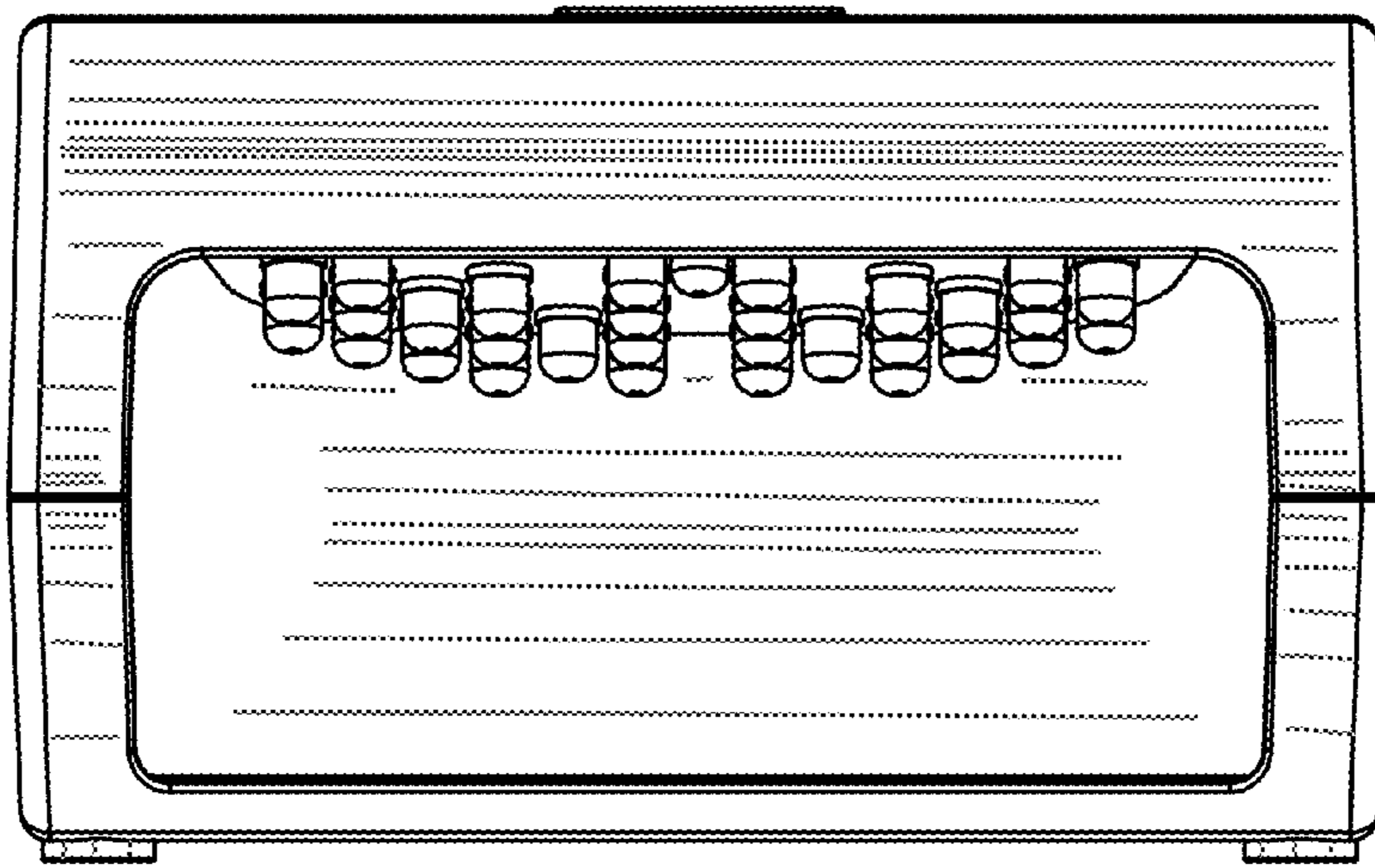


Fig. 2

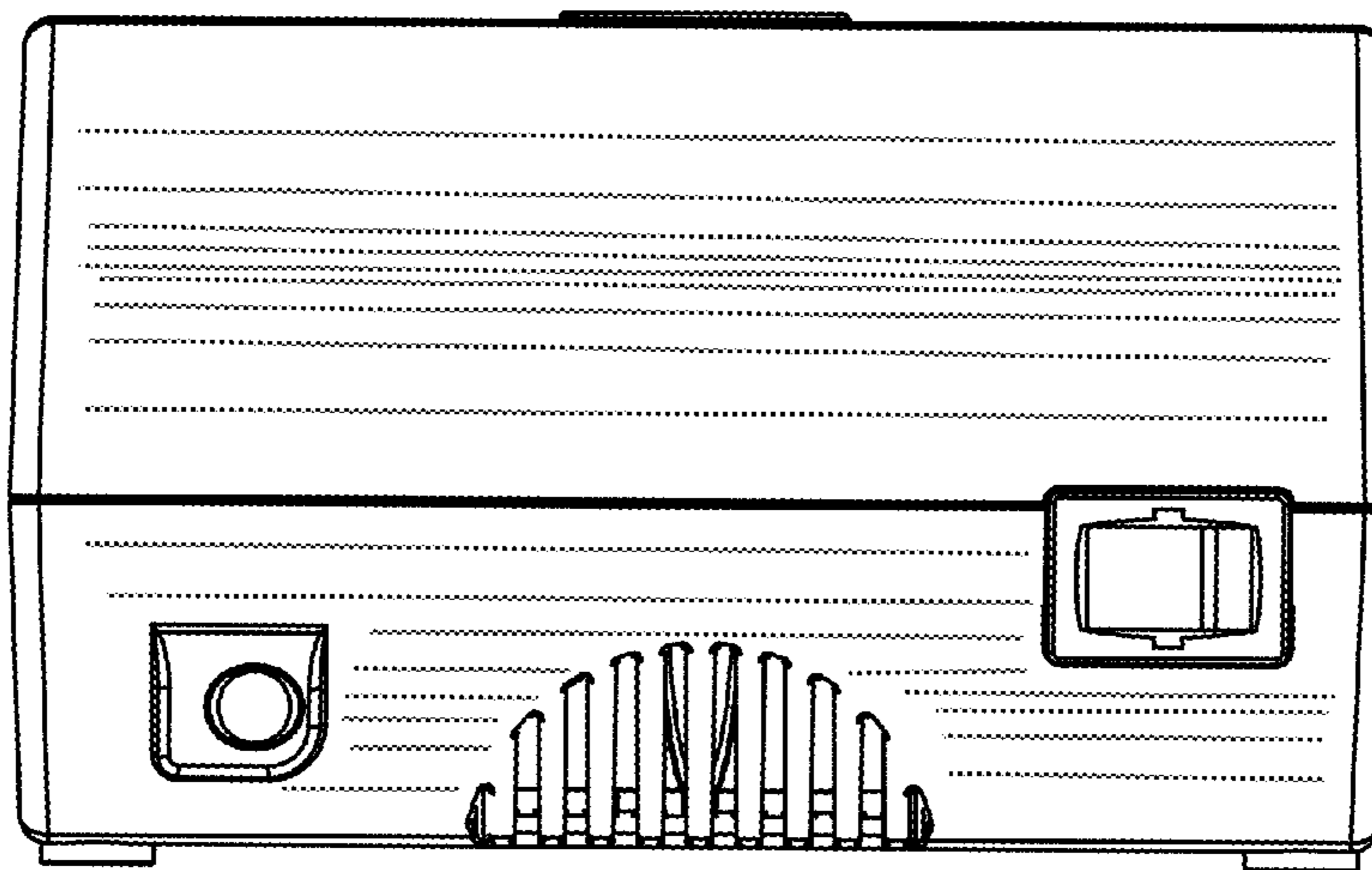


Fig. 3

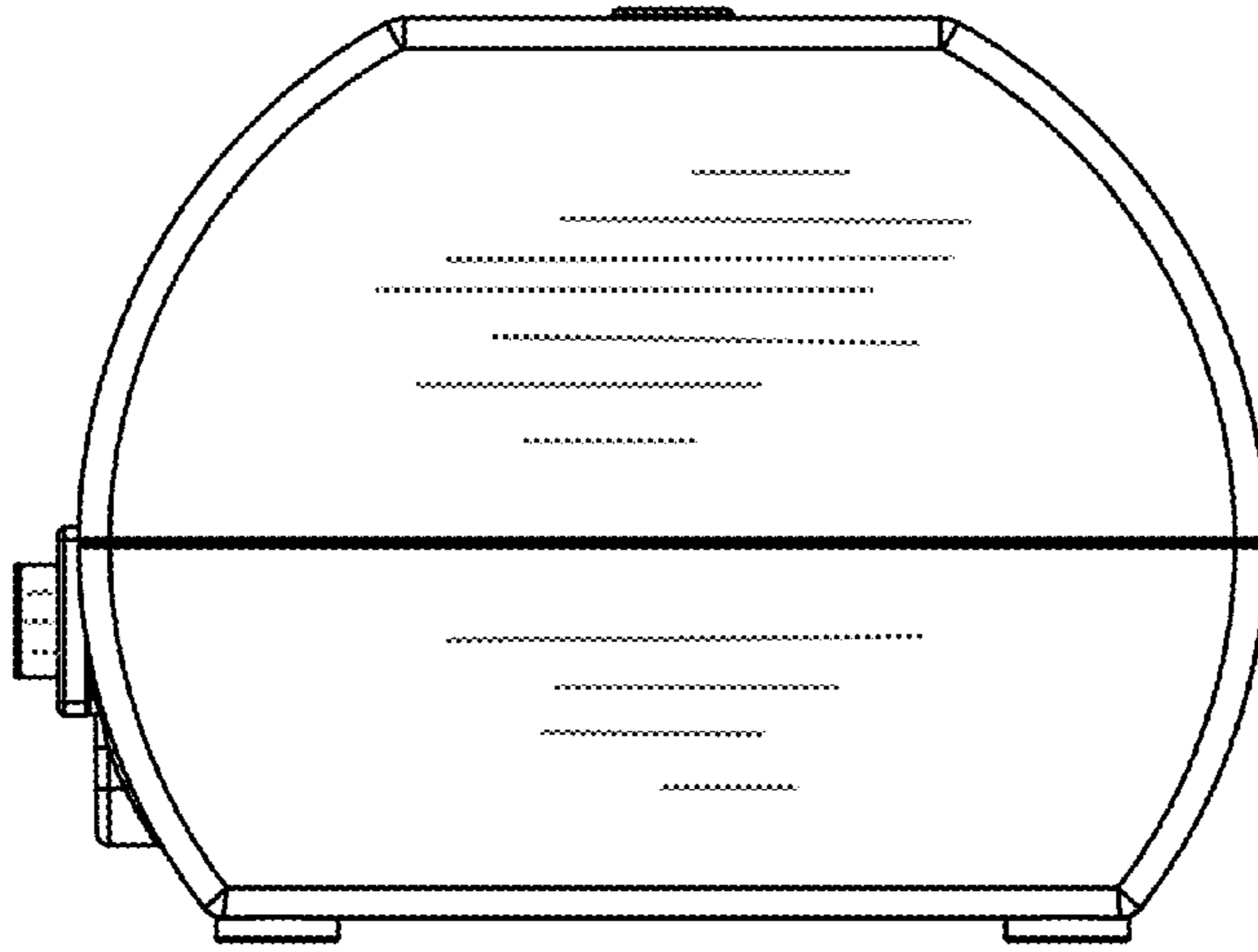


Fig. 4

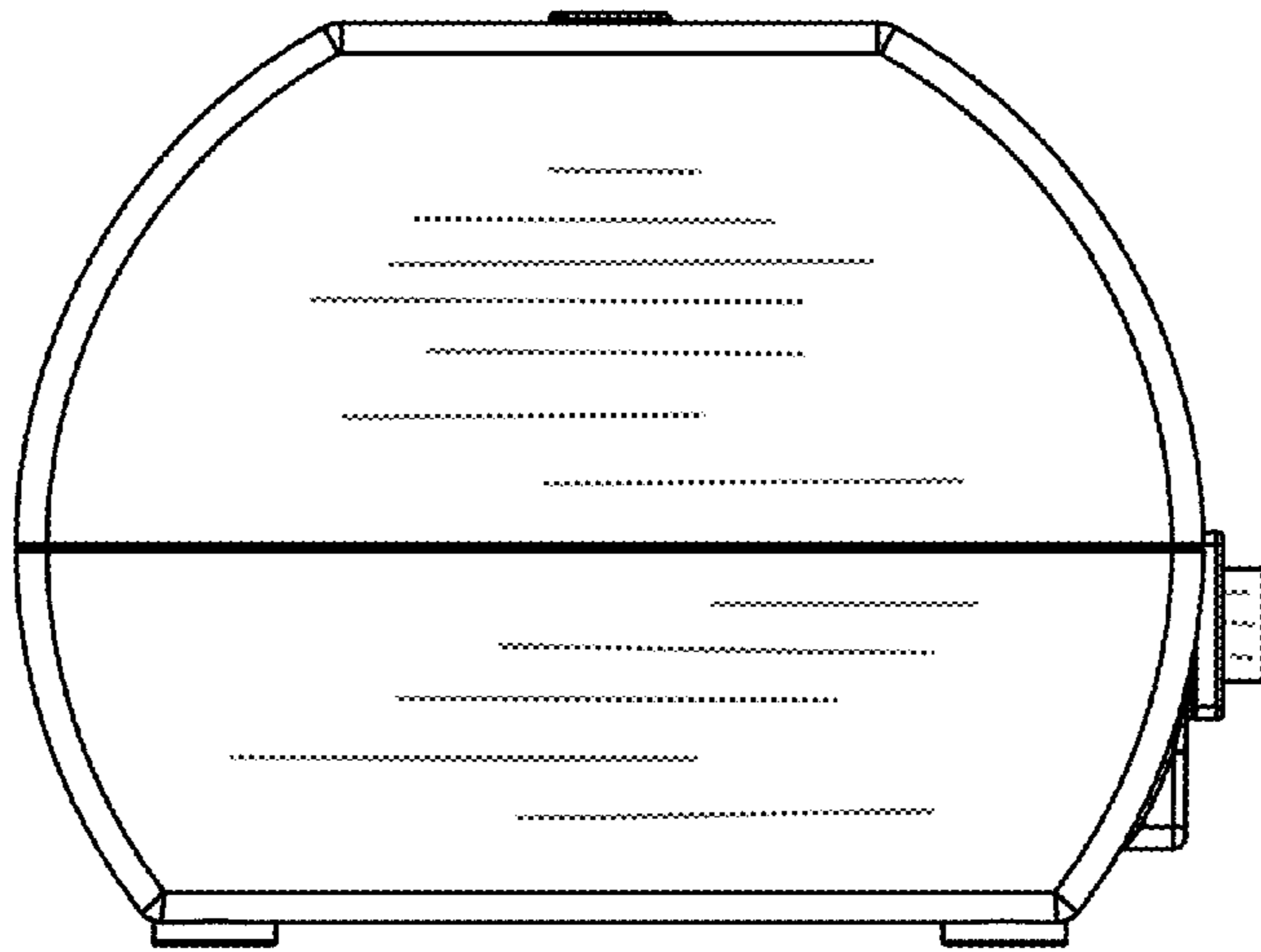


Fig. 5

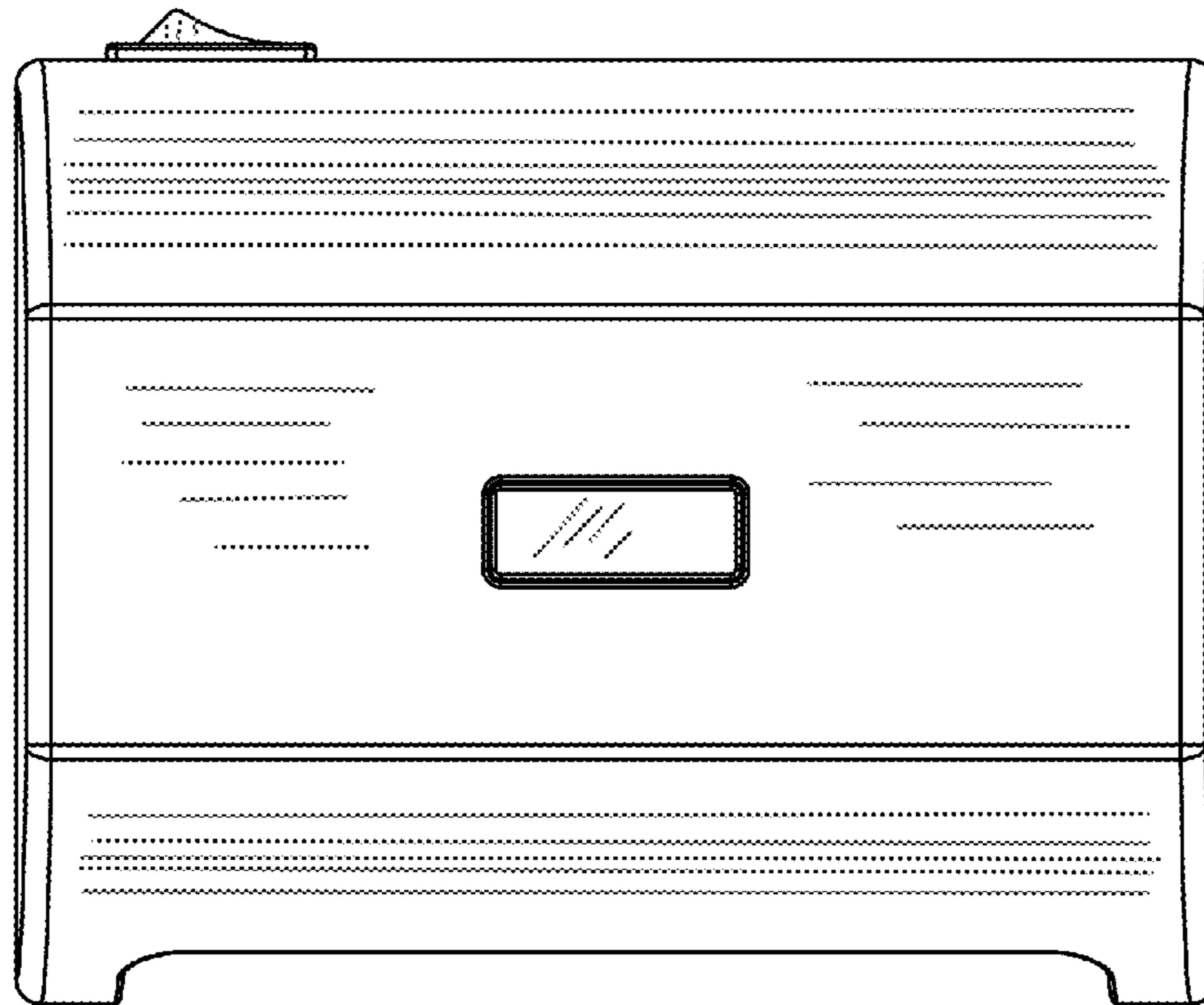


Fig. 6

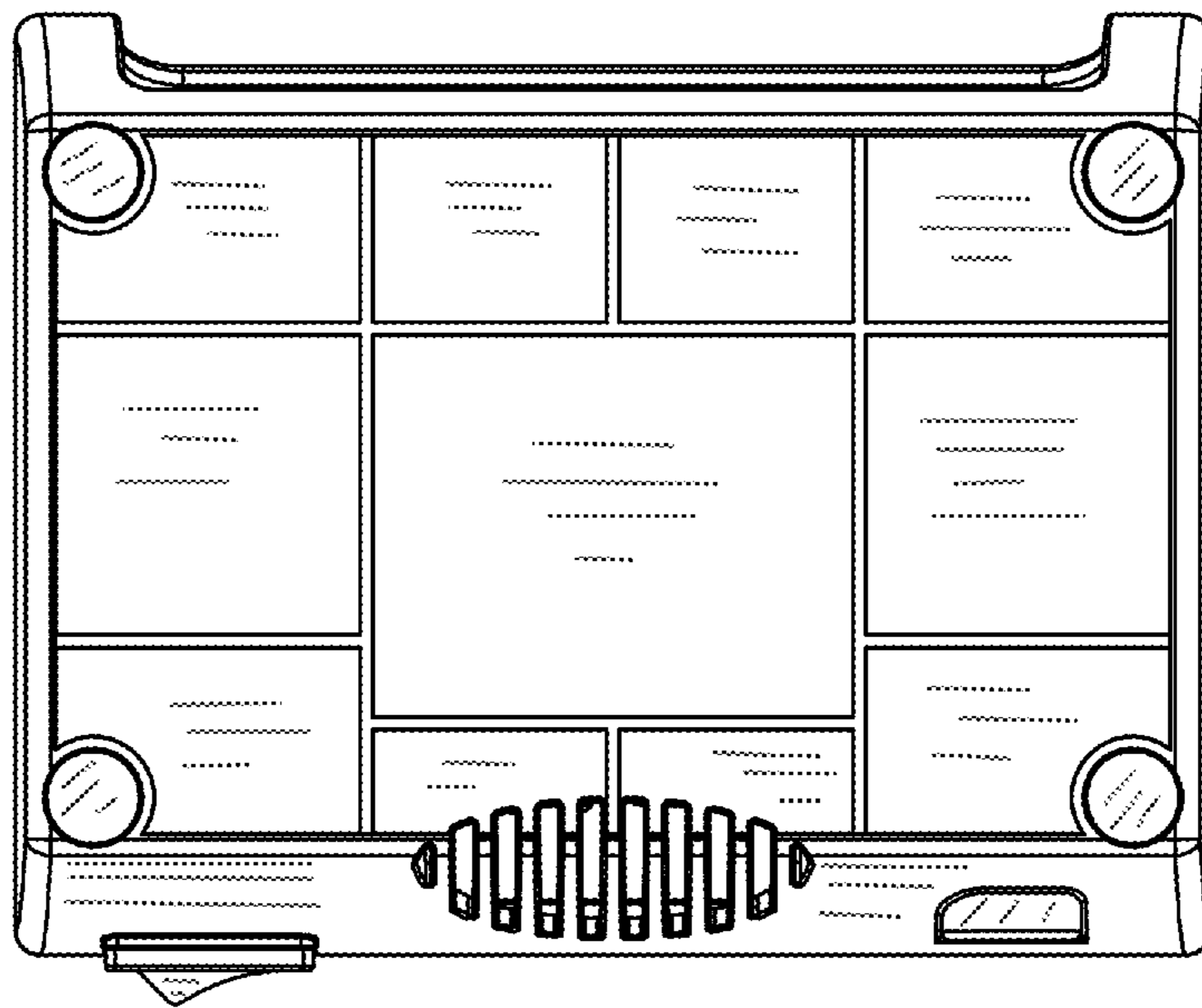


Fig. 7

UNITED STATES PATENT AND TRADEMARK OFFICE
CERTIFICATE OF CORRECTION

PATENT NO. : D690,467 S
APPLICATION NO. : 29/423416
DATED : September 24, 2013
INVENTOR(S) : Jin

Page 1 of 1

It is certified that error appears in the above-identified patent and that said Letters Patent is hereby corrected as shown below:

Title Page, Item (12) "Jing" should read -- Jin --

Title Page, Item (76) Inventor should read: -- Wenri Jin, Guandong (CN) --

Signed and Sealed this
Twenty-second Day of April, 2014



Michelle K. Lee
Deputy Director of the United States Patent and Trademark Office