



US00D690466S

(12) **United States Design Patent**
Wang

(10) **Patent No.:** **US D690,466 S**

(45) **Date of Patent:** **** Sep. 24, 2013**

(54) **COMB HANDLE**

(75) Inventor: **Tso-Min Wang**, New Taipei (TW)

(73) Assignee: **Gim-Hwa Enterprise Co., Ltd.**, New Taipei (TW)

(**) Term: **14 Years**

(21) Appl. No.: **29/413,796**

(22) Filed: **Feb. 21, 2012**

(51) **LOC (9) Cl.** **28-03**

(52) **U.S. Cl.**
USPC **D28/30**; D28/21; D4/127; D4/138

(58) **Field of Classification Search**
USPC D28/7, 20-34; 132/53, 112, 126,
132/150, 208, 219, 216; D32/49; 15/142,
15/143.1; D30/158, 159
See application file for complete search history.

(56) **References Cited**

U.S. PATENT DOCUMENTS

D370,304 S * 5/1996 Schach D28/10
D422,793 S * 4/2000 Levin et al. D4/127
D455,561 S * 4/2002 Schouten D4/138

D497,451 S * 10/2004 Hajianpour D28/7
D580,658 S * 11/2008 Berti D4/138
D613,452 S * 4/2010 Angeletta D28/7

* cited by examiner

Primary Examiner — Zenia Bennett

(74) *Attorney, Agent, or Firm* — Rabin & Berdo, P.C.

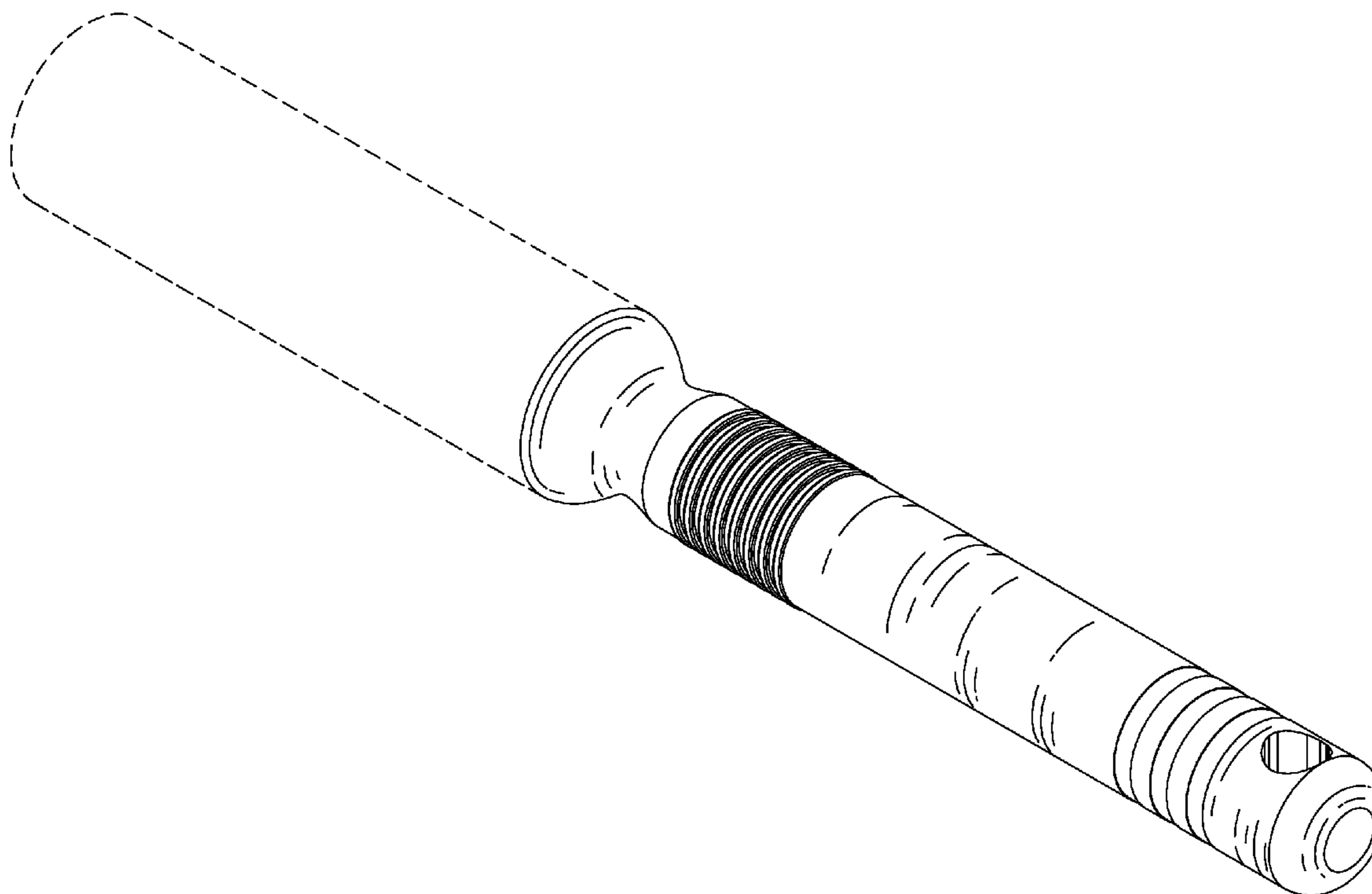
(57) **CLAIM**

The ornamental design for a comb handle, as shown and described.

DESCRIPTION

FIG. 1 is a perspective view of a comb handle showing my new design;
FIG. 2 is a left side view thereof;
FIG. 3 is a right side view thereof;
FIG. 4 is a front view thereof;
FIG. 5 is a rear view thereof;
FIG. 6 is a top plan view thereof;
FIG. 7 is a bottom plan view thereof; and,
FIG. 8 is a perspective view with bristles attached.
The broken line showing in Figures is for illustrative purposes only and forms no part of the claimed design.

1 Claim, 7 Drawing Sheets



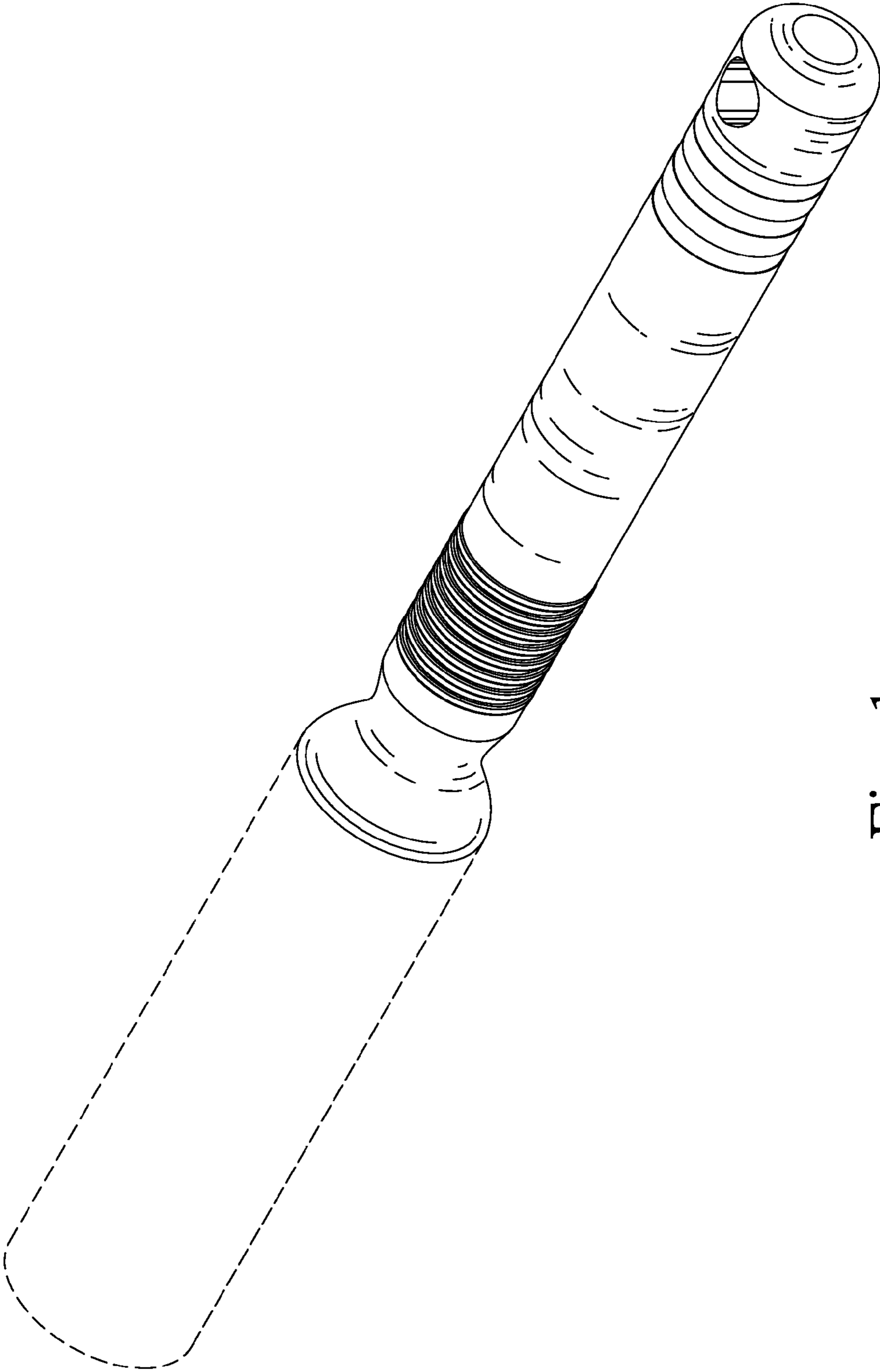


Fig. 1

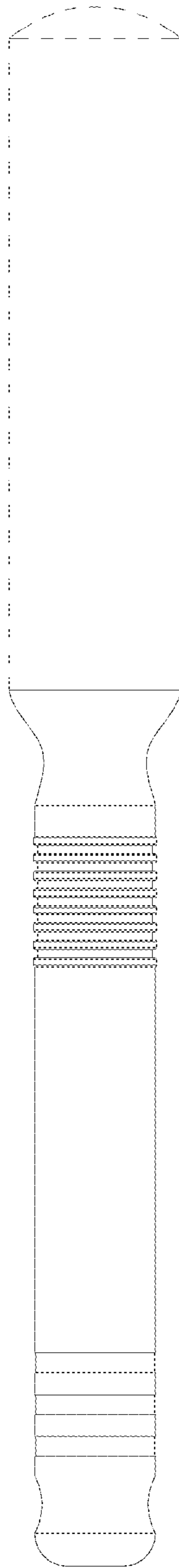


Fig. 2

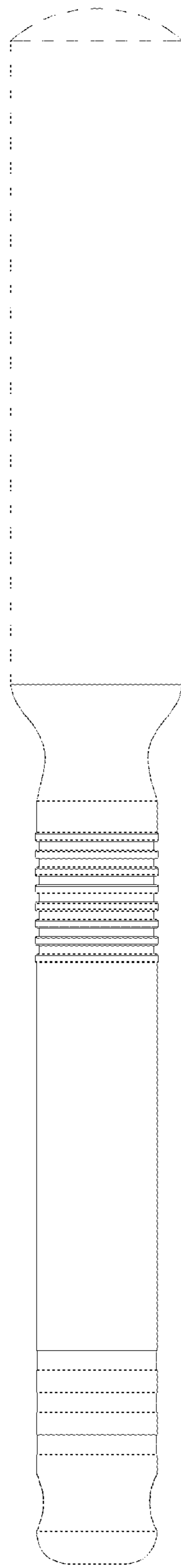


Fig. 3

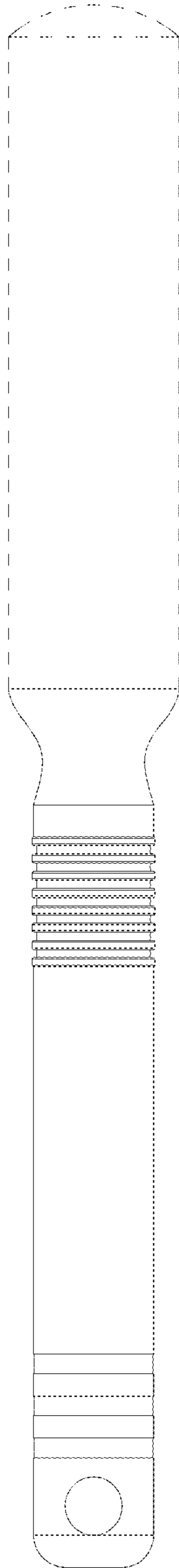


Fig. 4

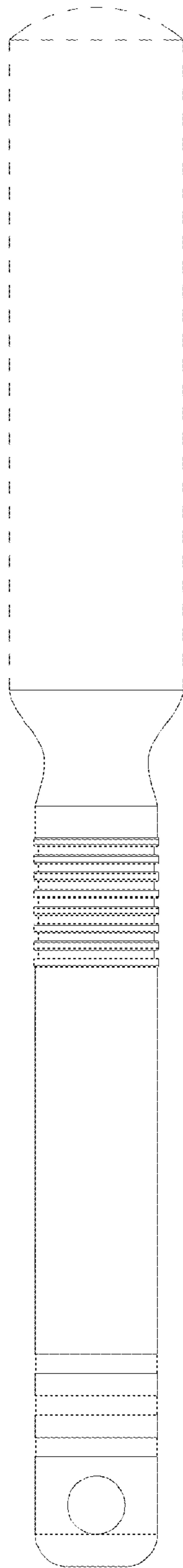


Fig. 5

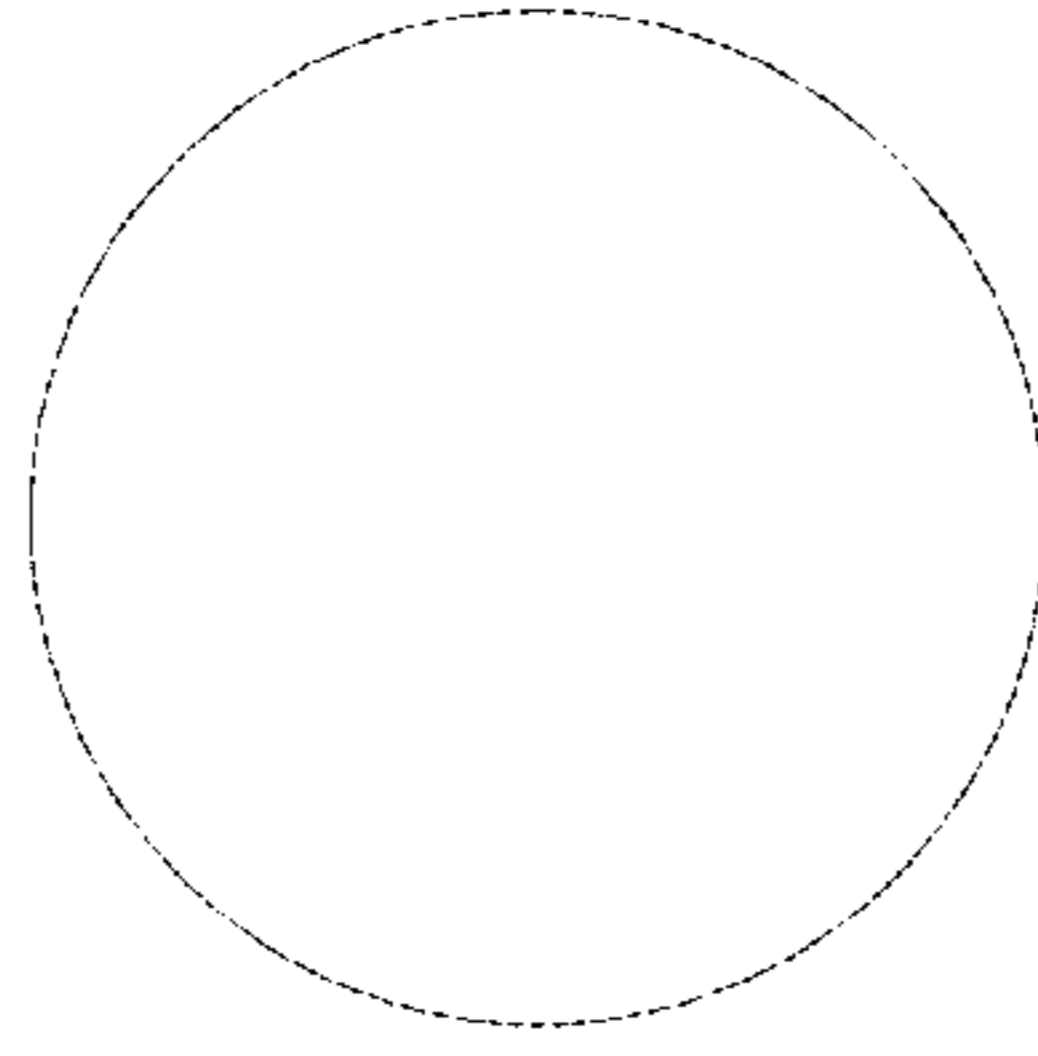


Fig. 6

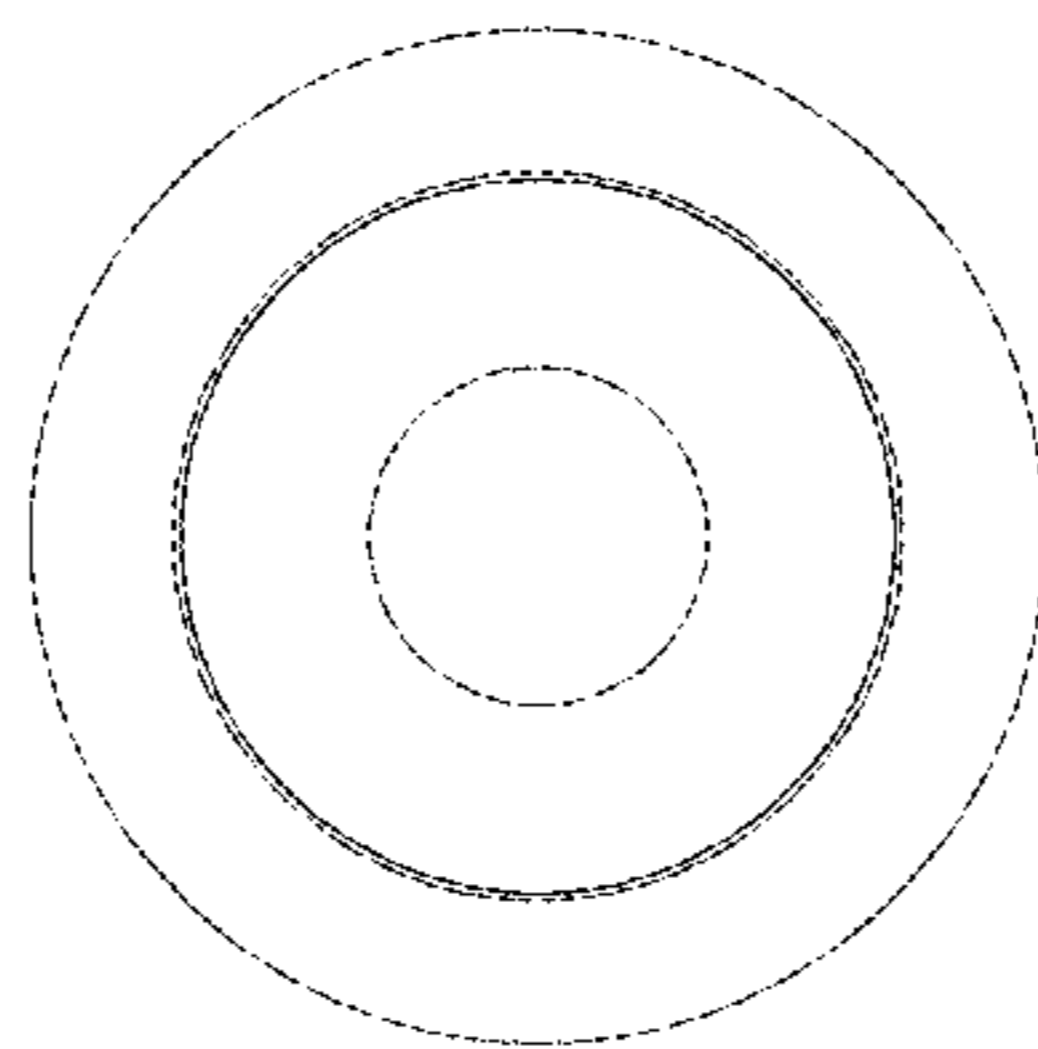


Fig. 7

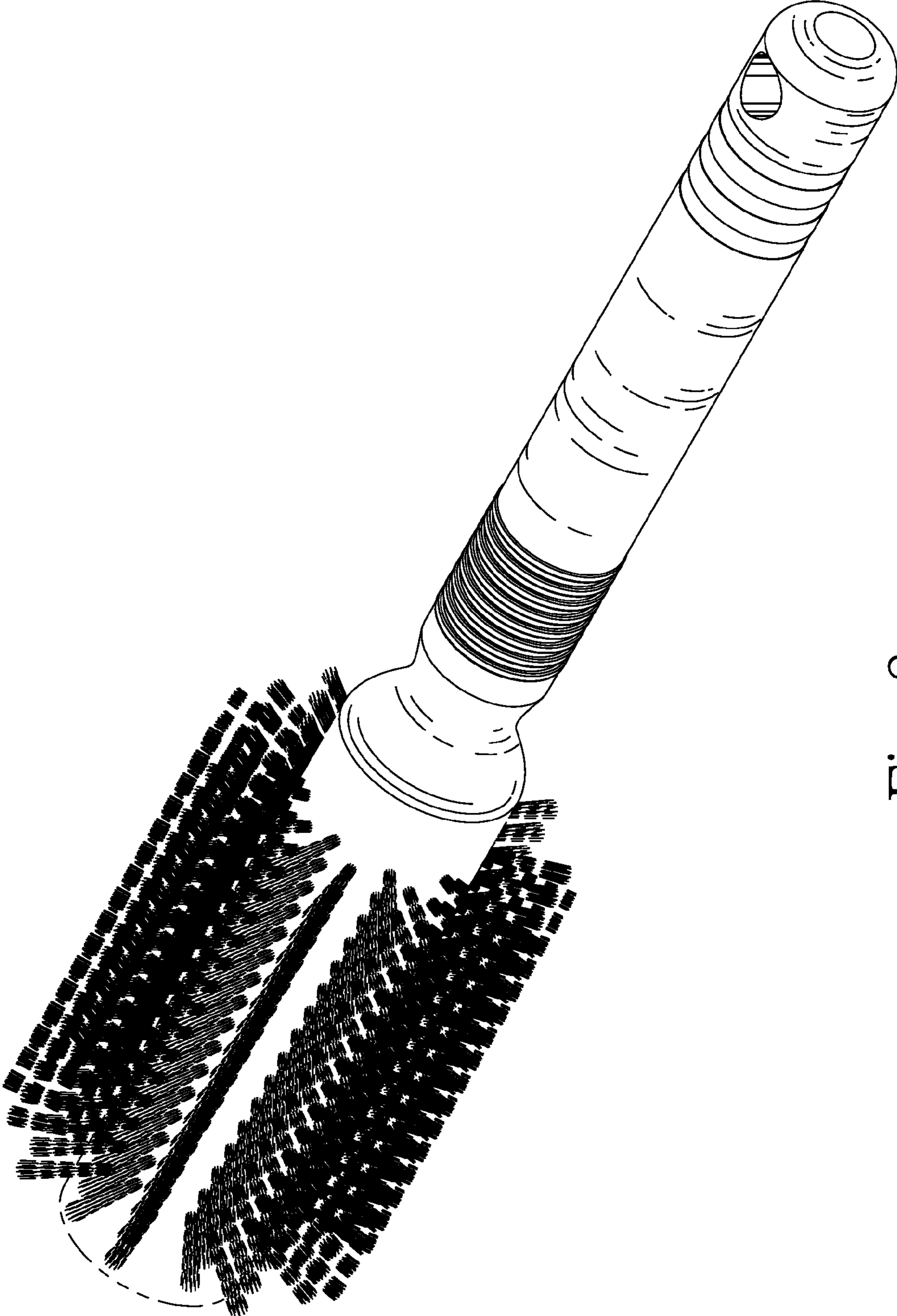


Fig. 8