



US00D690465S

(12) **United States Design Patent**
Dietvorst

(10) **Patent No.:** **US D690,465 S**

(45) **Date of Patent:** **** Sep. 24, 2013**

(54) **CONTAINER FOR USE IN A WASHING PROCESS**

(71) Applicant: **Reckitt Benckiser N.V.**, Hoofddorp (NL)

(72) Inventor: **Taco Dietvorst**, Eindhoven (NL)

(73) Assignee: **Reckitt Benckiser N.V.**, Hoofddorp (NL)

(**) Term: **14 Years**

(21) Appl. No.: **29/441,817**

(22) Filed: **Jan. 9, 2013**

(30) **Foreign Application Priority Data**

Jul. 10, 2012 (EM) 002071274-0001

(51) **LOC (9) Cl.** **28-02**

(52) **U.S. Cl.**
USPC **D28/8.1**

(58) **Field of Classification Search**
USPC D28/8.1-8.2, 4; D9/707, 710, 715,
D9/414, 424-428; 510/141-148, 194, 276,
510/224, 277, 294-298, 439-450, 514, 520,
510/523

See application file for complete search history.

(56) **References Cited**

U.S. PATENT DOCUMENTS

7,105,478 B2 * 9/2006 Guzman et al. 510/439
D536,130 S * 1/2007 Jekel et al. D28/8.1

D567,998 S * 4/2008 Wiedemann D28/8.1
D651,340 S * 12/2011 Heidel et al. D28/8.1
D652,165 S * 1/2012 Gordon et al. D28/8.1
D663,069 S * 7/2012 Nixon D28/8.1
D663,894 S * 7/2012 Davanzo et al. D28/8.1
D665,530 S * 8/2012 Gaertner D28/8.1
D680,267 S * 4/2013 Drought et al. D28/8.1
D680,268 S * 4/2013 Drought et al. D28/8.1
D680,269 S * 4/2013 Drought et al. D28/8.1
D680,686 S * 4/2013 Drought et al. D28/8.1
D680,687 S * 4/2013 Drought et al. D28/8.1

* cited by examiner

Primary Examiner — Jennifer Rivard

(74) *Attorney, Agent, or Firm* — Ryan A. Schneider;
Troutman Sanders LLP

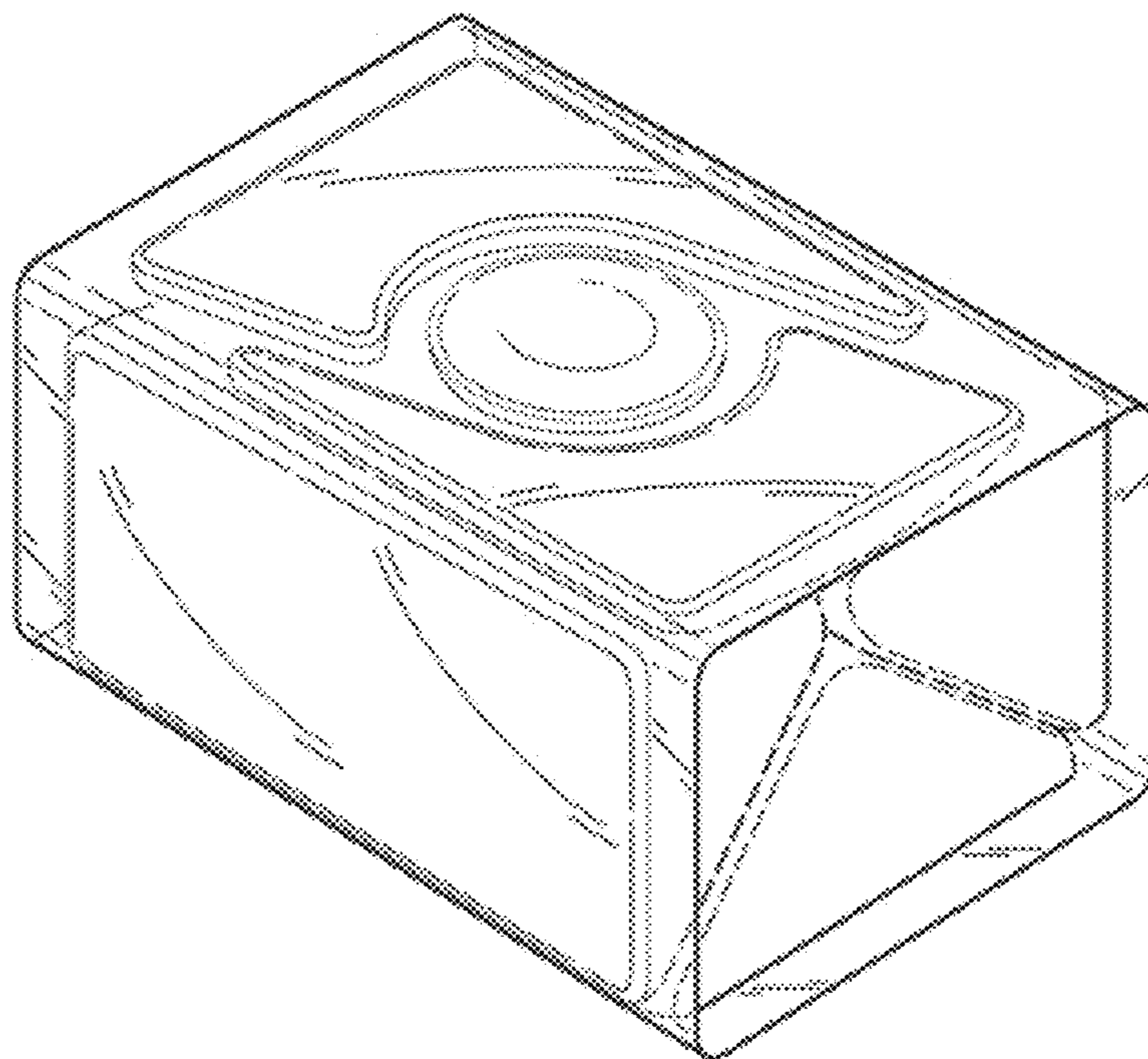
(57) **CLAIM**

The ornamental design for a container for use in a washing process, as shown and described.

DESCRIPTION

FIG. 1 is a perspective view of a container of the present invention;
FIG. 2 is a front view of the container of FIG. 1;
FIG. 3 is a back view of the container of FIG. 1;
FIG. 4 is a side view of the container of FIG. 1;
FIG. 5 is the other side view of a container of FIG. 1;
FIG. 6 is a top view of the container of FIG. 1; and,
FIG. 7 is a bottom view of the container of FIG. 1.
The broken lines are included for the purpose of illustrating a portion of the container that forms no part of the claimed design.

1 Claim, 2 Drawing Sheets



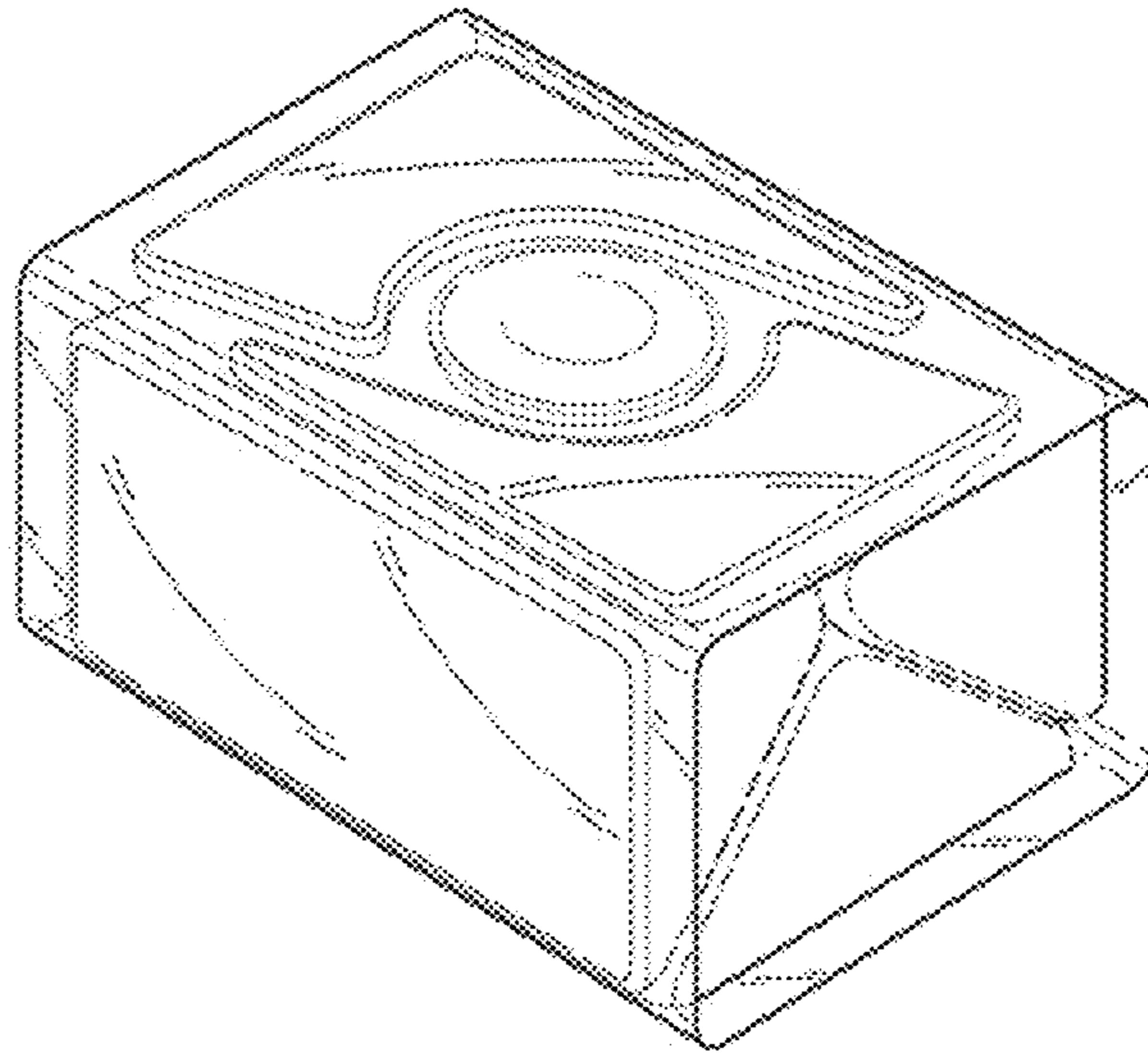


Fig. 1

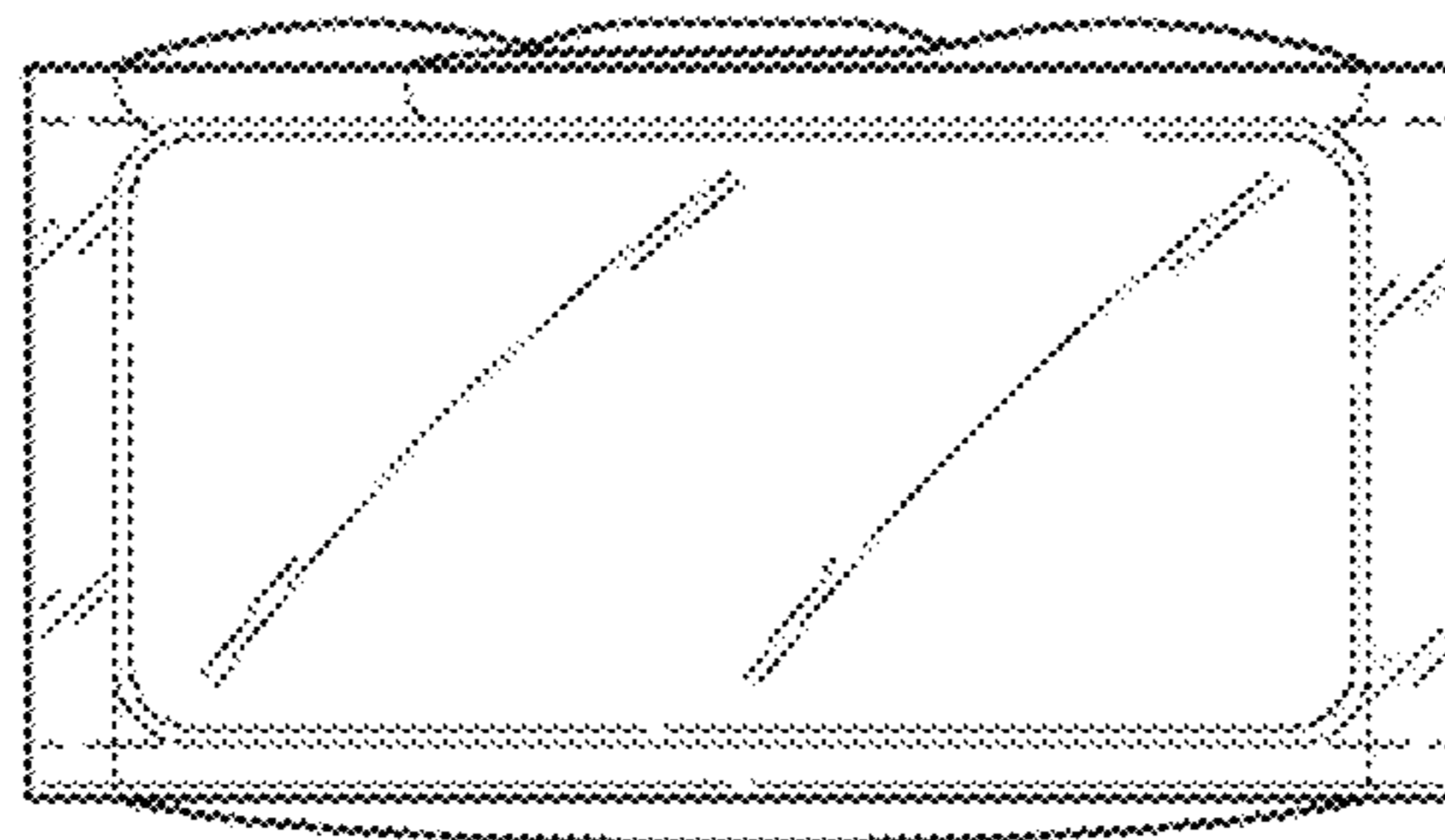


Fig. 2

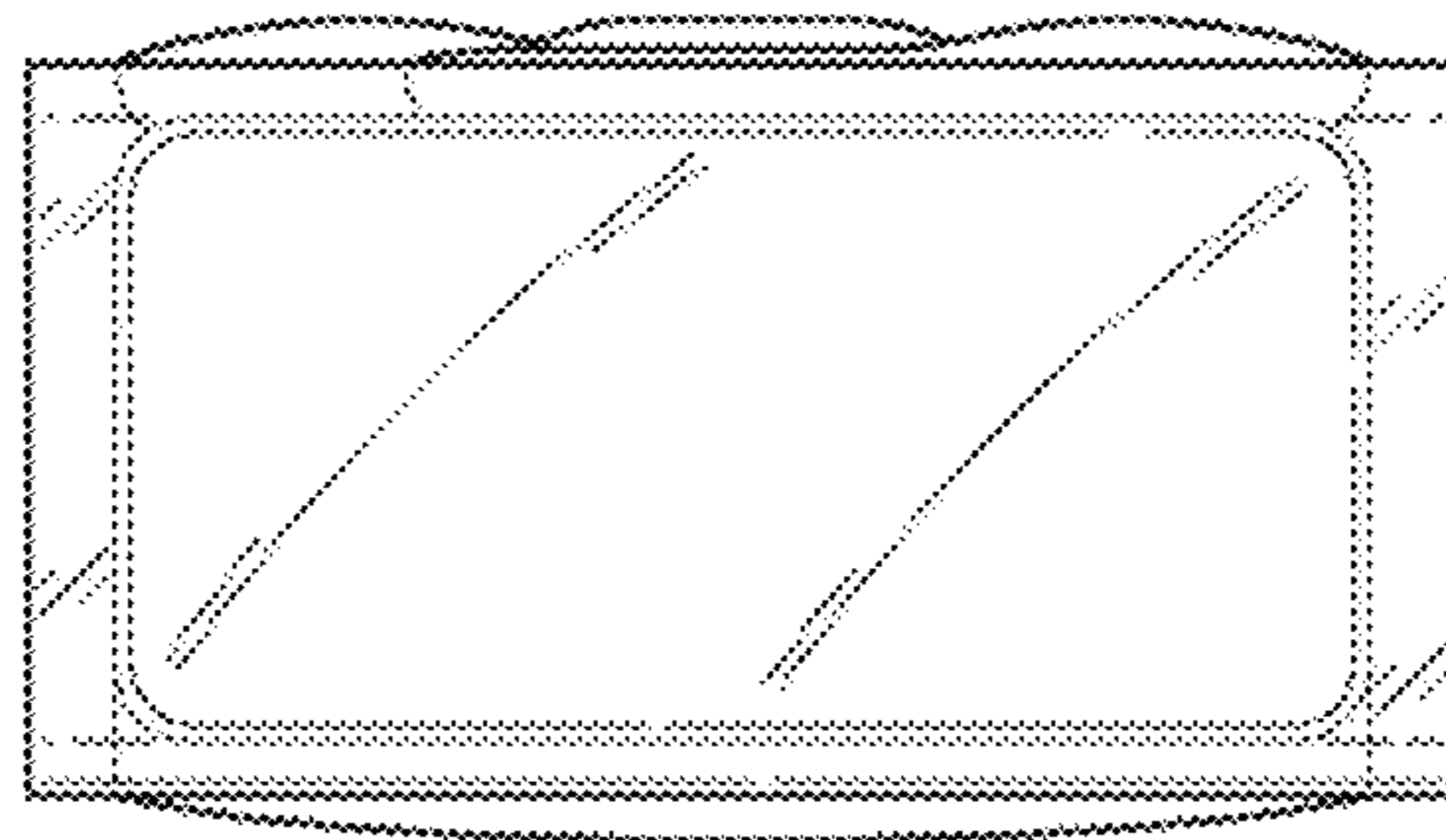


Fig. 3

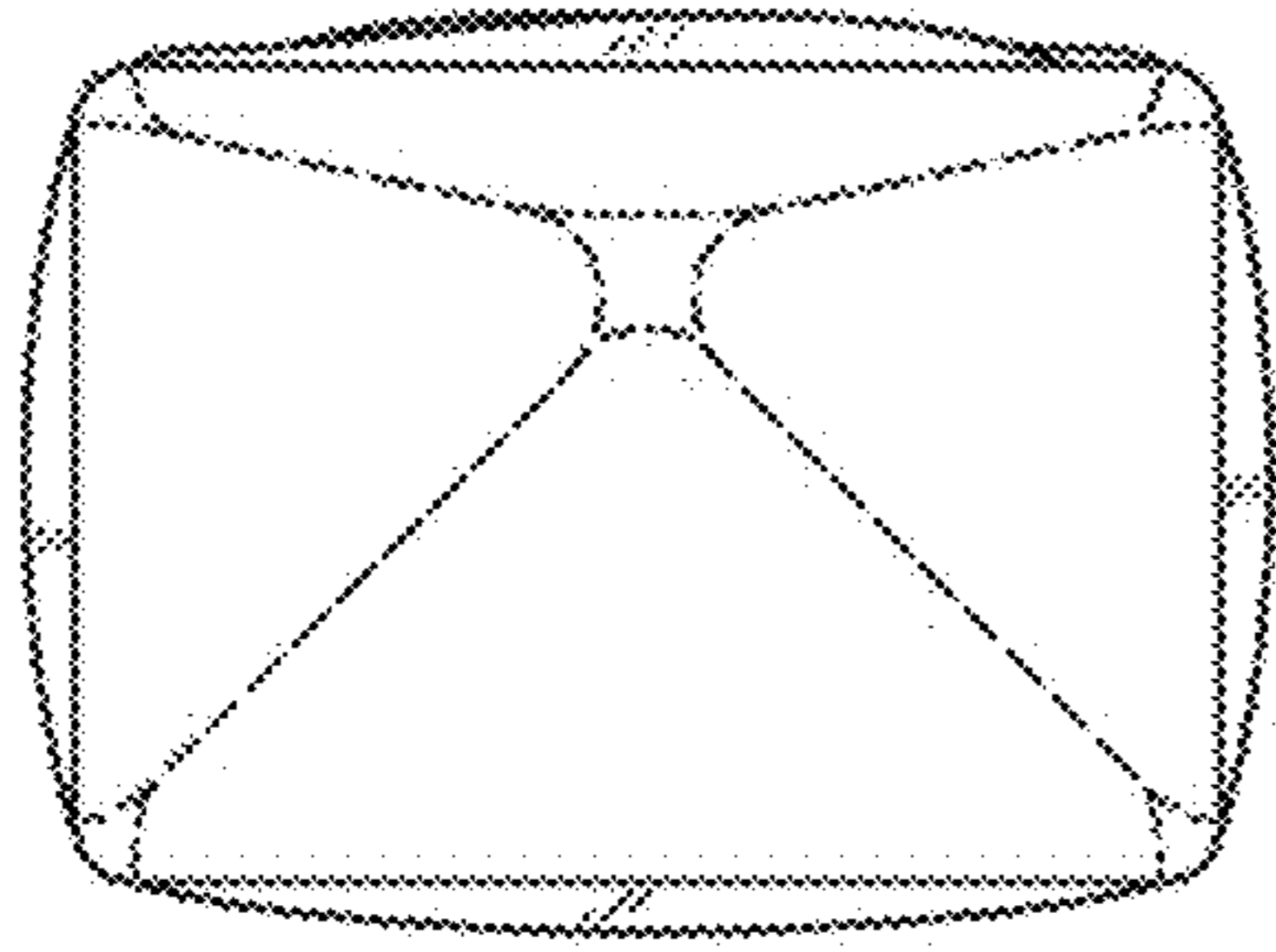


Fig. 4

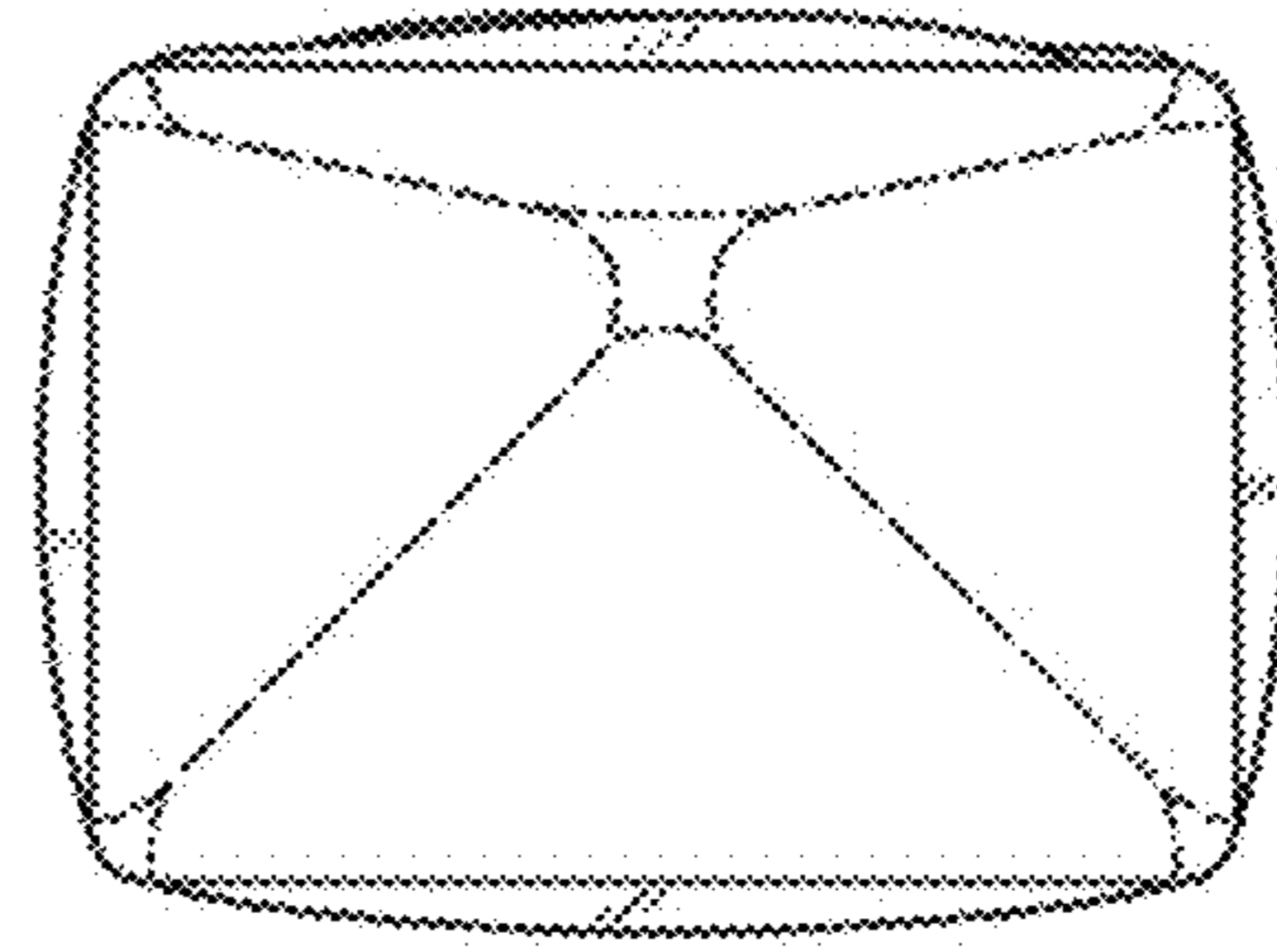


Fig. 5

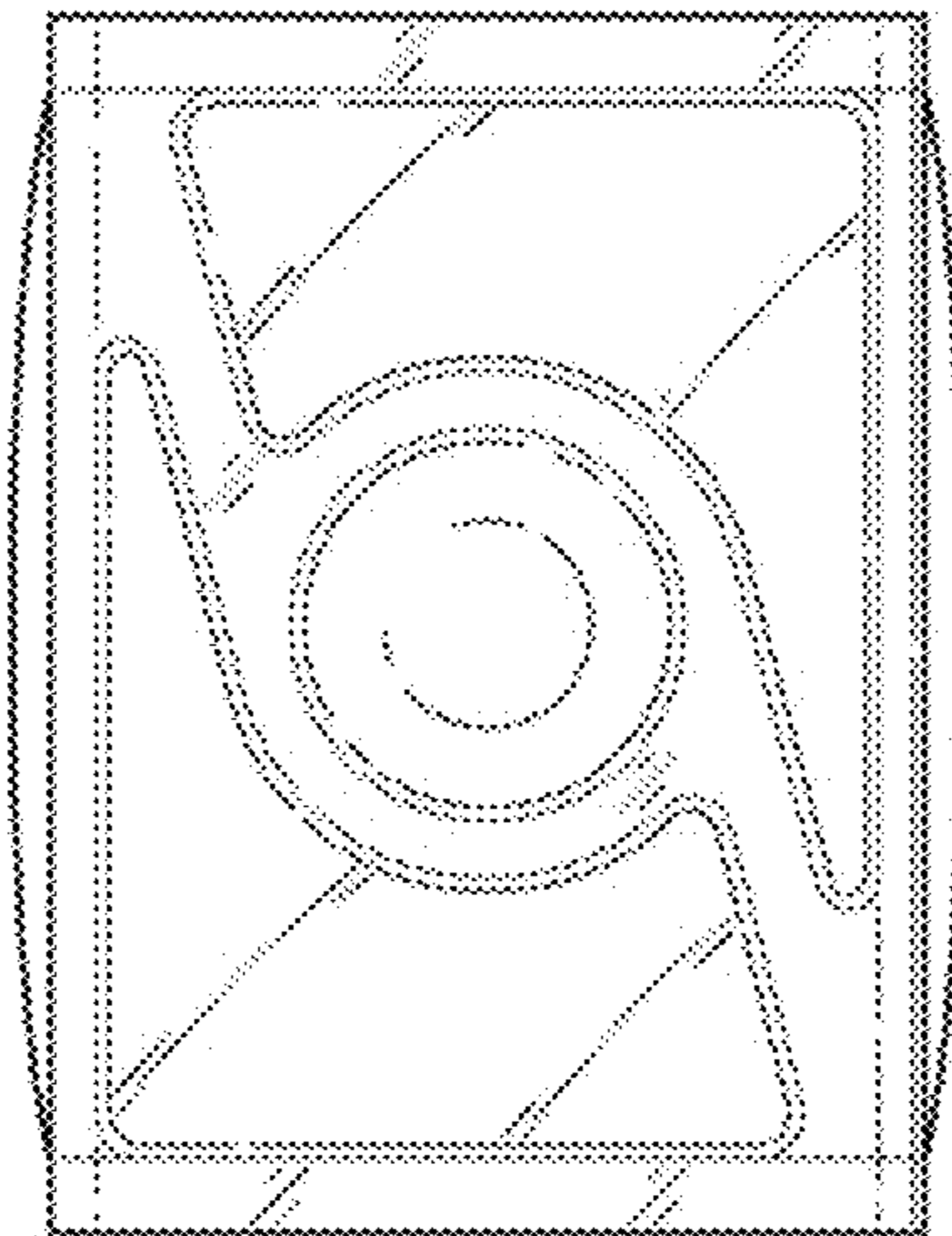


Fig. 6

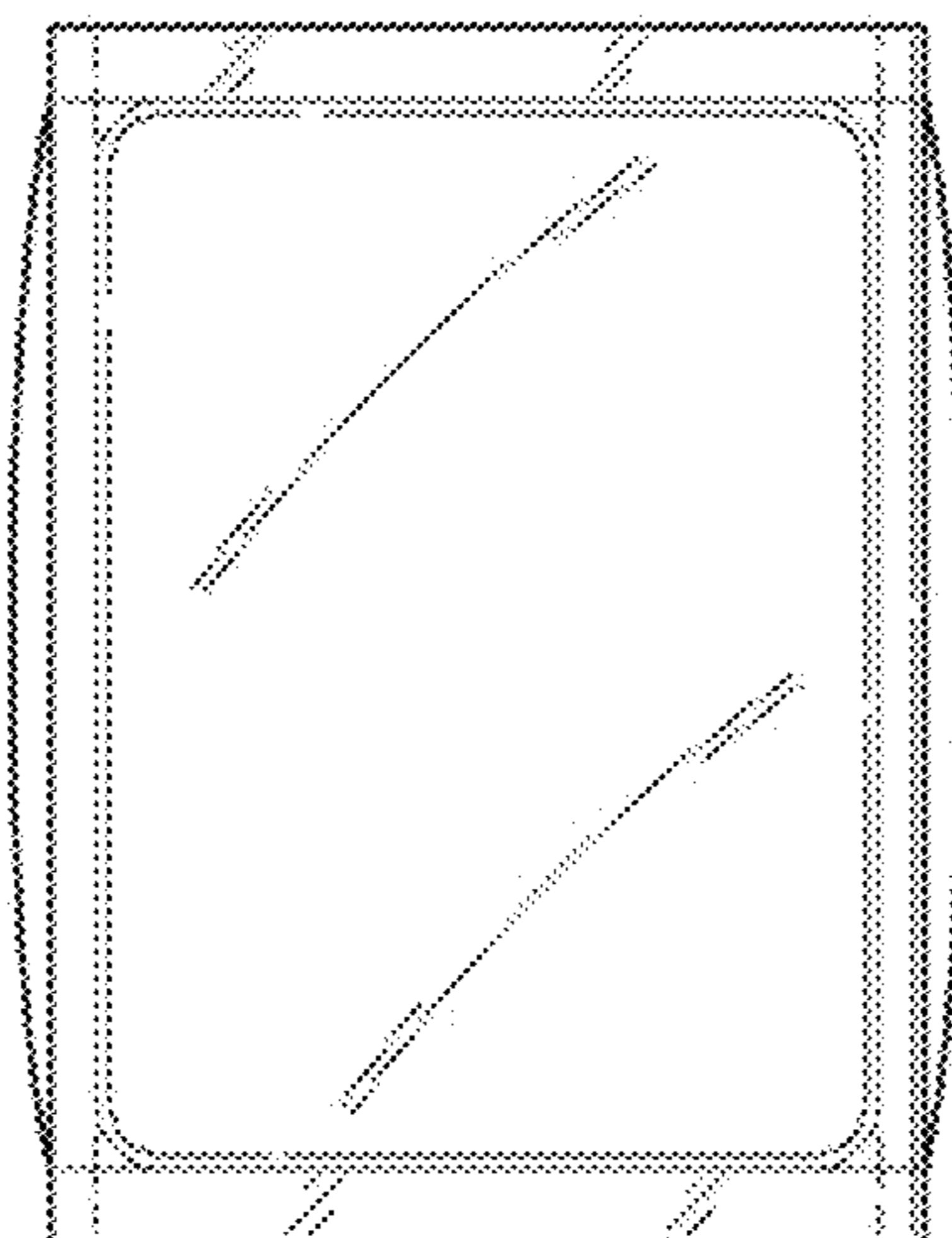


Fig. 7