



US00D690461S

(12) **United States Design Patent**
Chen

(10) **Patent No.:** **US D690,461 S**

(45) **Date of Patent:** **** Sep. 24, 2013**

(54) **PORTABLE BOX WITH ELECTRONIC CIGARETTES**

(76) Inventor: **Zhiping Chen**, Shenzhen (CN)

(**) Term: **14 Years**

(21) Appl. No.: **29/422,608**

(22) Filed: **May 22, 2012**

(30) **Foreign Application Priority Data**

Mar. 26, 2012 (CN) 2012 3 0075220

(51) **LOC (9) Cl.** **27-06**

(52) **U.S. Cl.**
USPC **D27/187**

(58) **Field of Classification Search**

USPC D27/100, 101, 163, 164, 167, 169,
D27/172, 183, 186, 187, 189, 191, 193, 194;
D9/713, 714; 131/329, 347, 348, 328, 361
See application file for complete search history.

(56) **References Cited**

U.S. PATENT DOCUMENTS

D4,875 S *	5/1871	Dick	D9/713
D200,220 S *	2/1965	Tamarin	D9/713
D440,352 S *	4/2001	Gore et al.	D27/191
D485,939 S *	1/2004	Draghetti et al.	D27/189
D596,787 S *	7/2009	Hearn	D27/189
D610,303 S *	2/2010	Valle	D27/189
D613,903 S *	4/2010	Wu et al.	D27/189
D613,904 S *	4/2010	Wu et al.	D27/189
D649,708 S *	11/2011	Oneil	D27/163
D656,094 S *	3/2012	Wu	D13/108
D671,677 S *	11/2012	Wu	D27/189
D671,678 S *	11/2012	Wu	D27/189
2012/0227753 A1 *	9/2012	Newton	131/347

OTHER PUBLICATIONS

Smooore ePack, [2012], [site visited Dec. 8, 2012]. Available from

Internet <URL: http://www.smooorecig.com/index.php?page=shop.product_details&product_id=59&option=com_virtuemart&Itemid=96>.*
E-Pack, [posted Jun. 17, 2012], [site visited Dec. 8, 2012]. Available from Internet <URL: <http://www.vapeatron.com/smooore-latest-technique-e-pack-electronic-cigarette-29039/>>.*

* cited by examiner

Primary Examiner — Susan Bennett Hattan

Assistant Examiner — Janice Hallmark

(74) *Attorney, Agent, or Firm* — Houtteman Law LLC

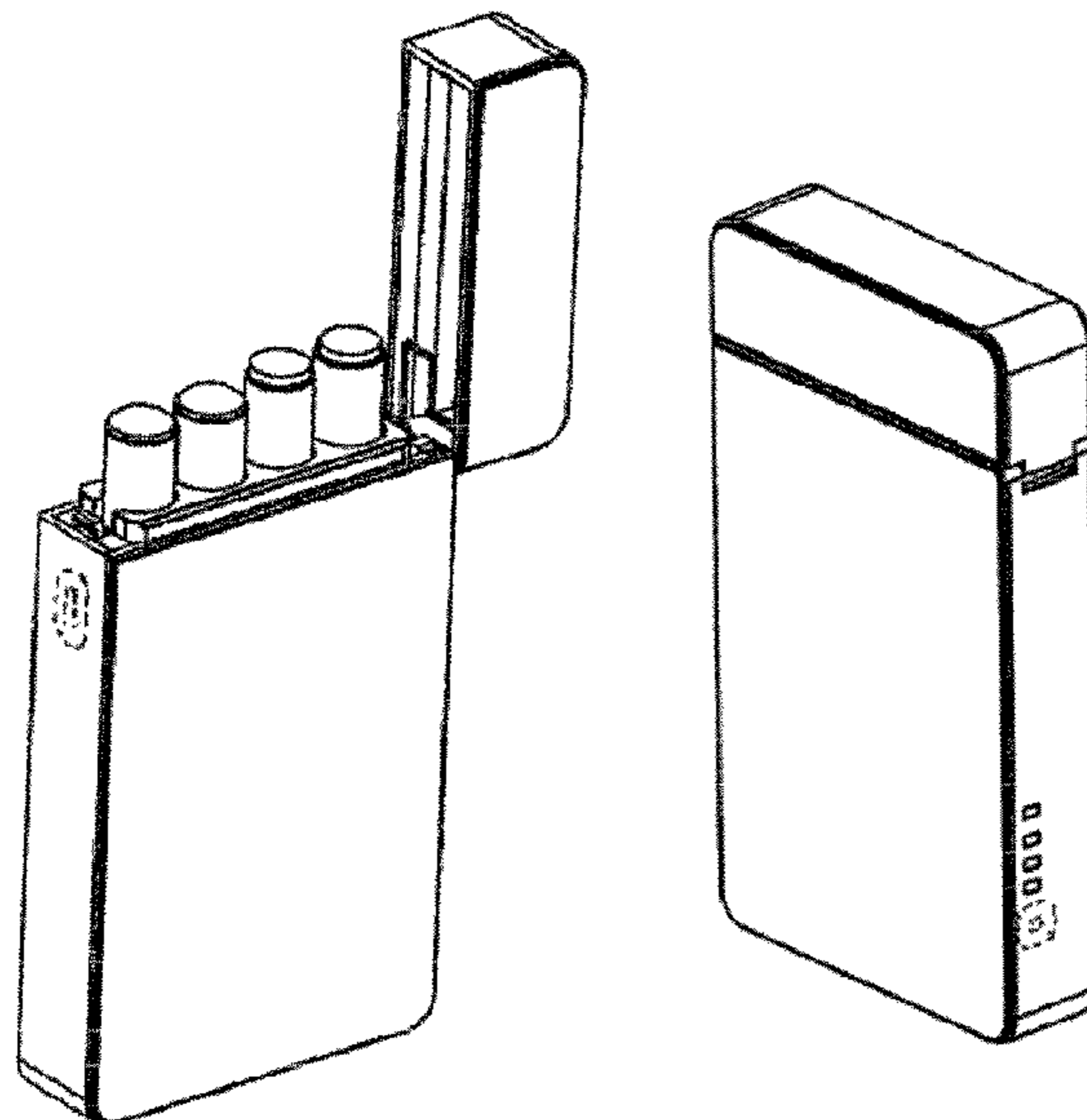
(57) **CLAIM**

The ornamental design for a portable box with electronic cigarettes, substantially as shown and described.

DESCRIPTION

FIG. 1 is a front side view of a portable box with electronic cigarettes showing my new design when it is opened;
FIG. 2 is a rear side view thereof;
FIG. 3 is a left side view thereof;
FIG. 4 is a right side view thereof;
FIG. 5 is a top view thereof;
FIG. 6 is a bottom view thereof;
FIG. 7 is a perspective view thereof;
FIG. 8 is another perspective view thereof;
FIG. 9 is a front side view of a portable box with electronic cigarettes showing my new design when it is closed;
FIG. 10 is a rear side view thereof;
FIG. 11 is a left side view thereof;
FIG. 12 is a right side view thereof;
FIG. 13 is a top view thereof;
FIG. 14 is a bottom view thereof;
FIG. 15 is a perspective view thereof; and,
FIG. 16 is another perspective view thereof.

1 Claim, 4 Drawing Sheets



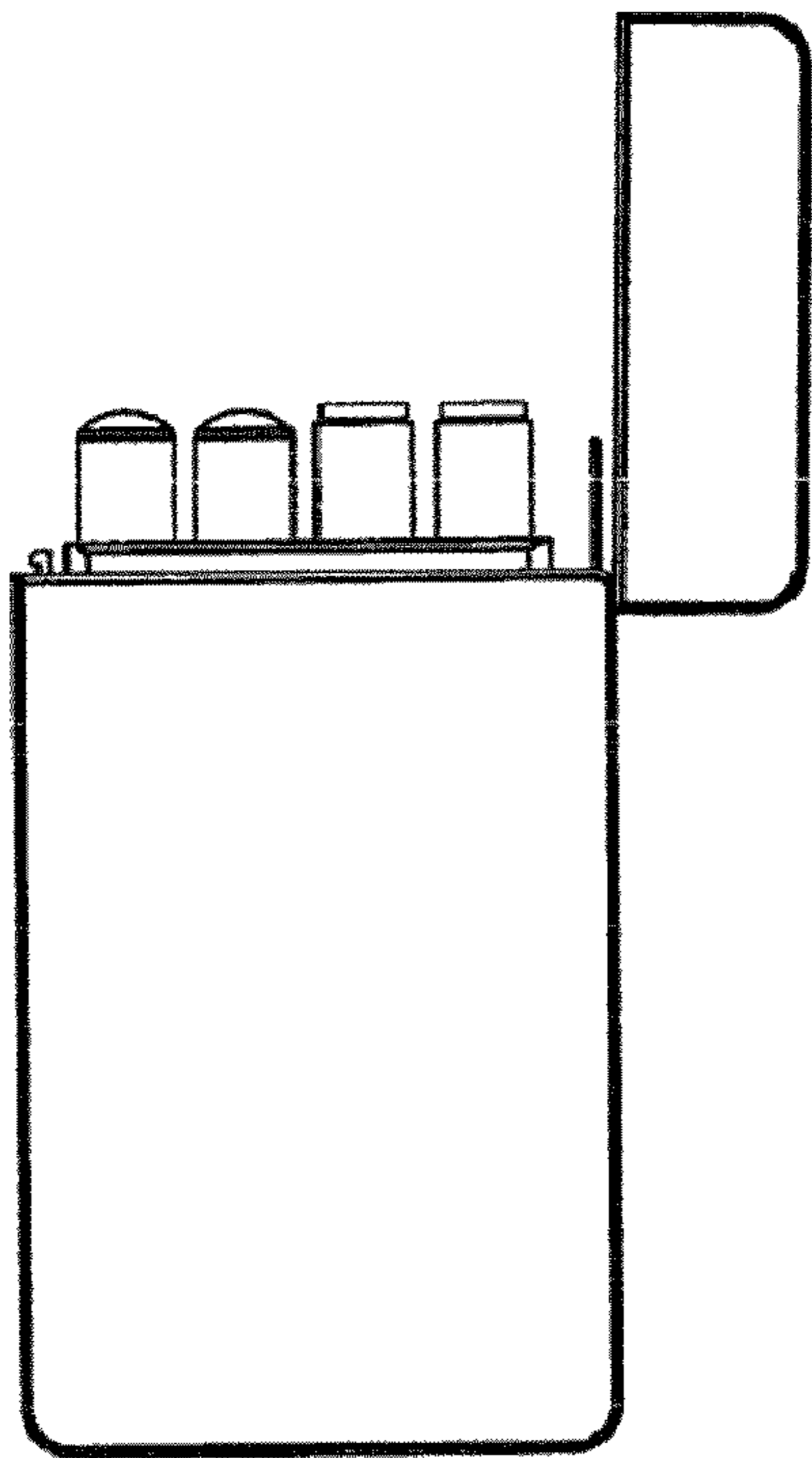


FIG. 1

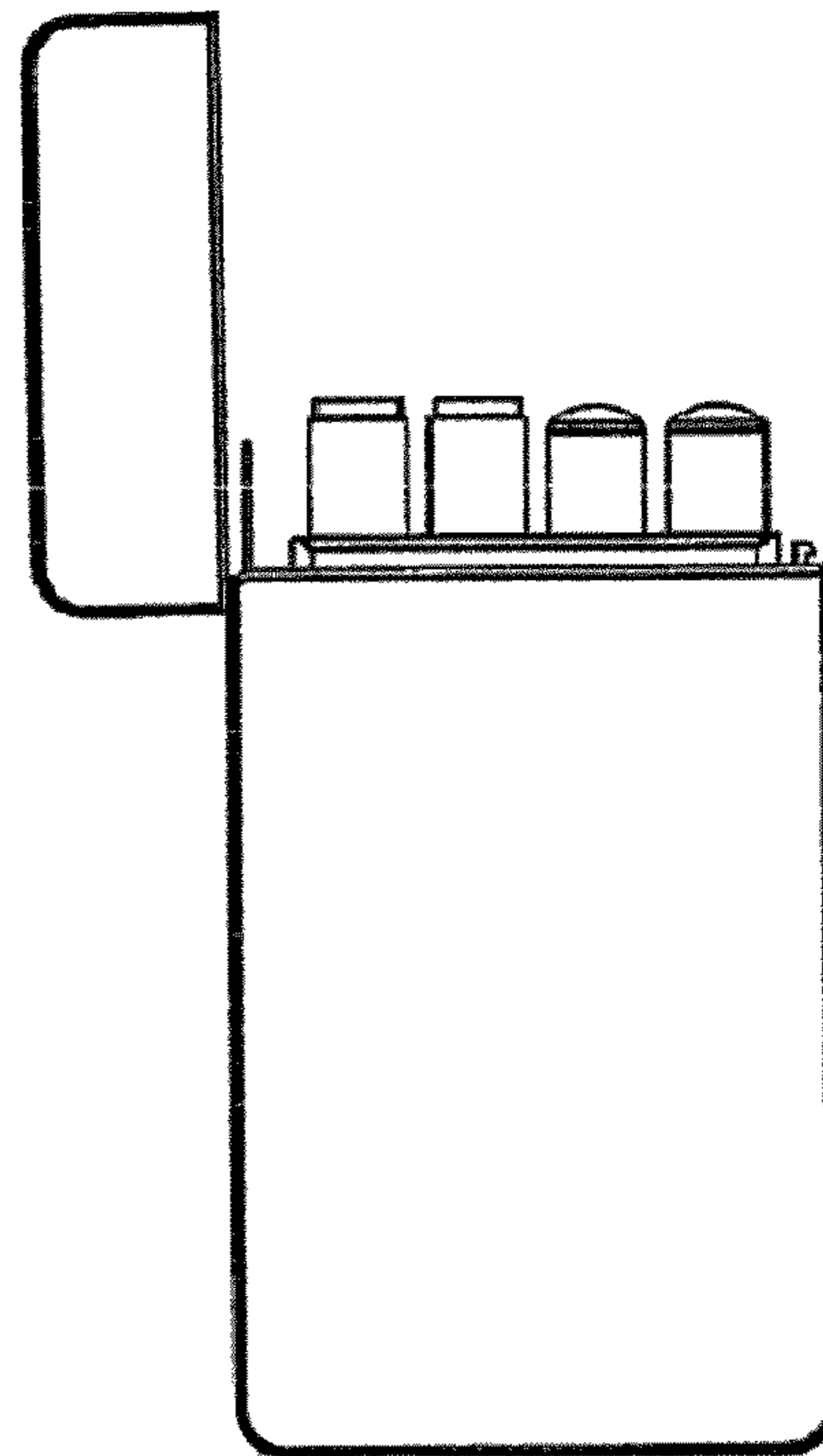


FIG. 2



FIG. 3



FIG. 4



FIG. 5



FIG. 6

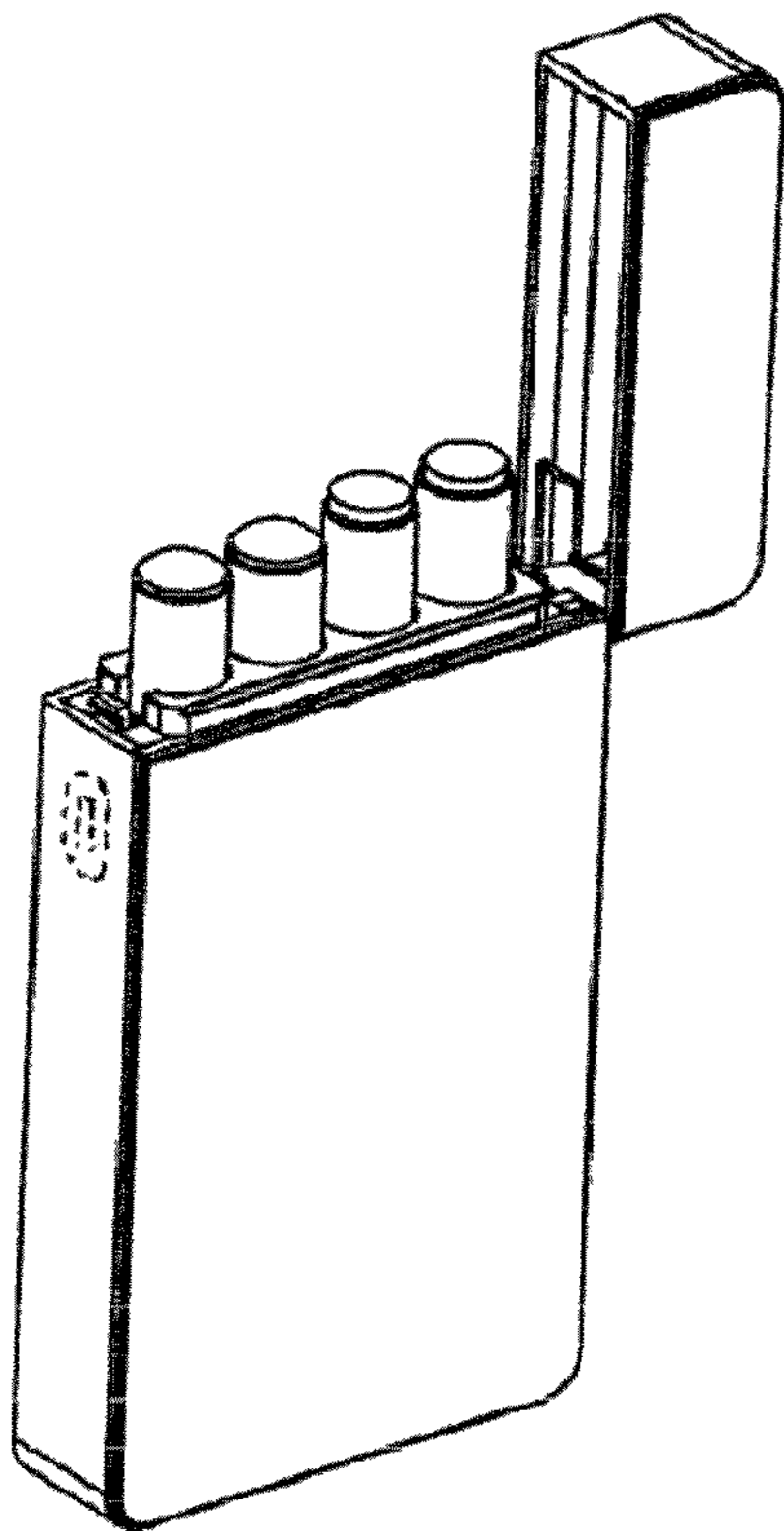


FIG. 7

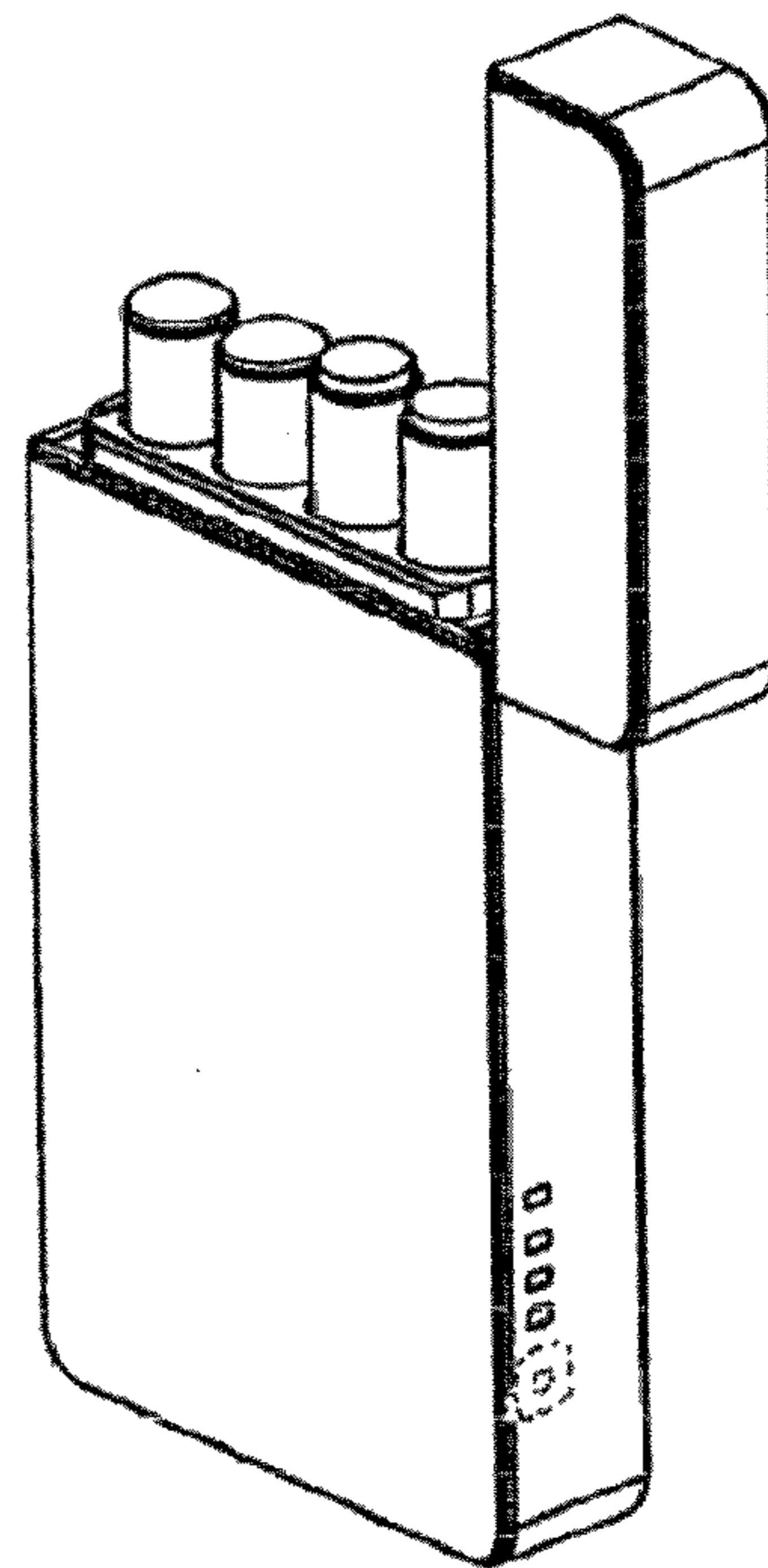


FIG. 8

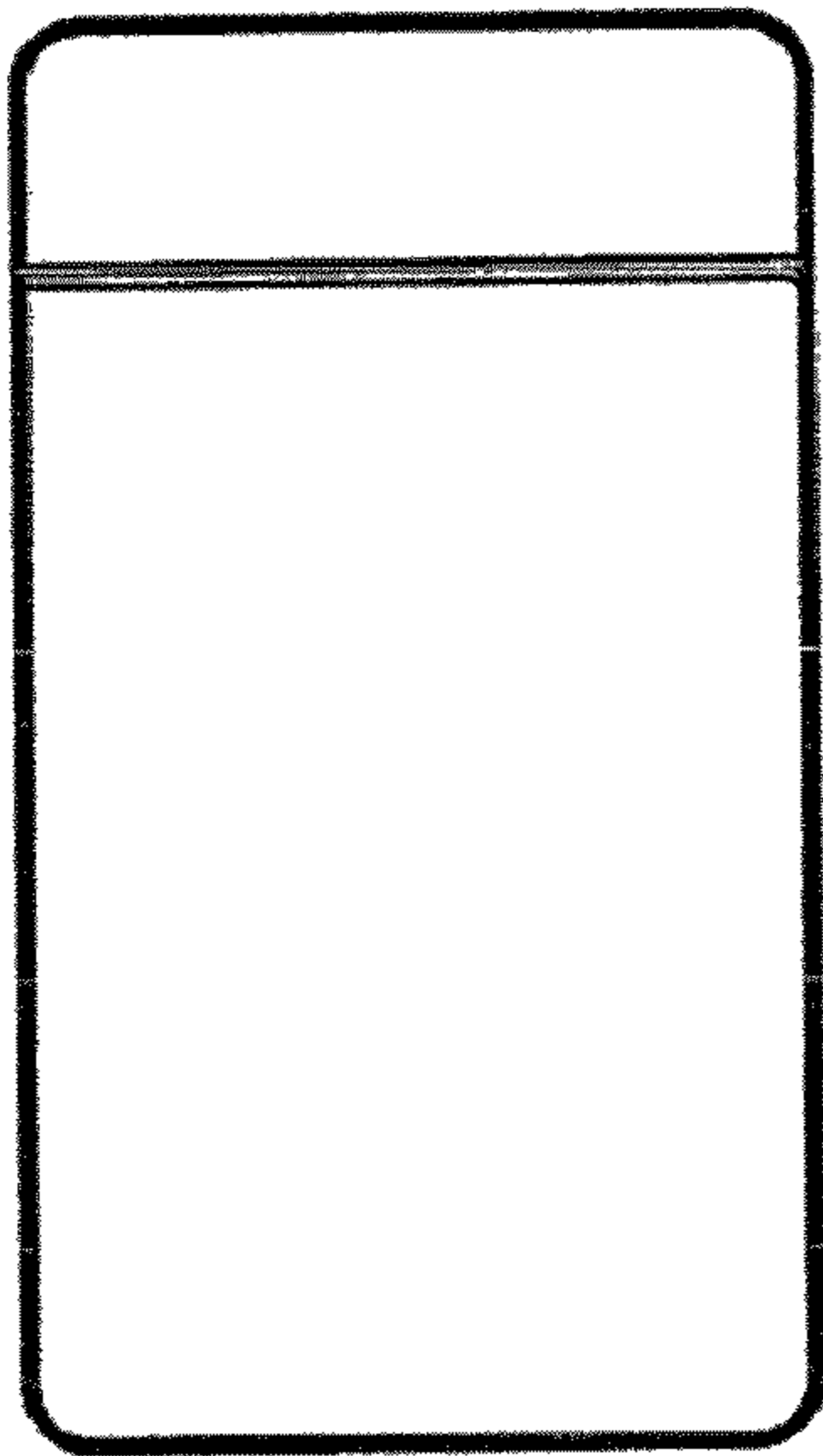


FIG. 9

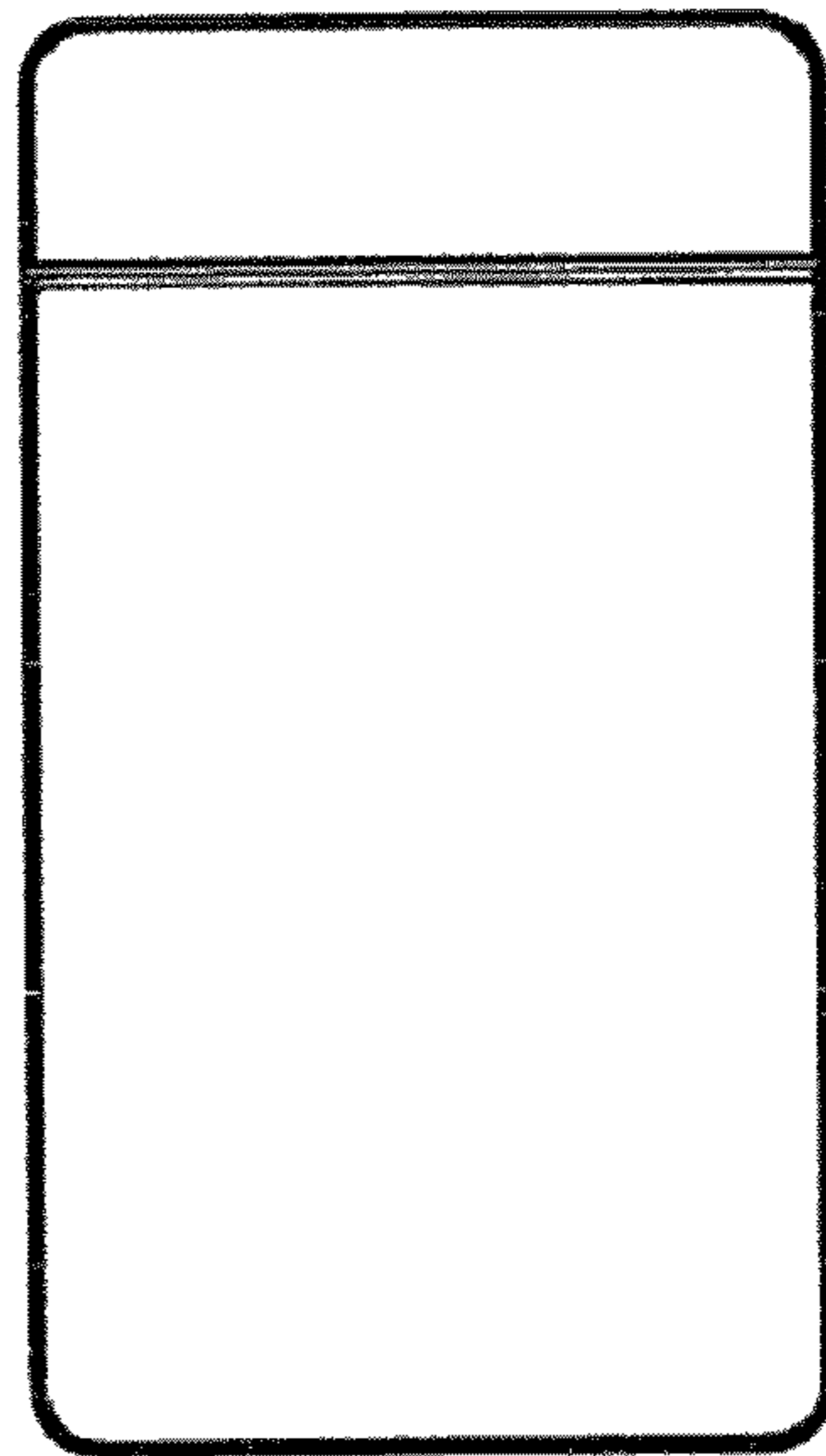


FIG. 10

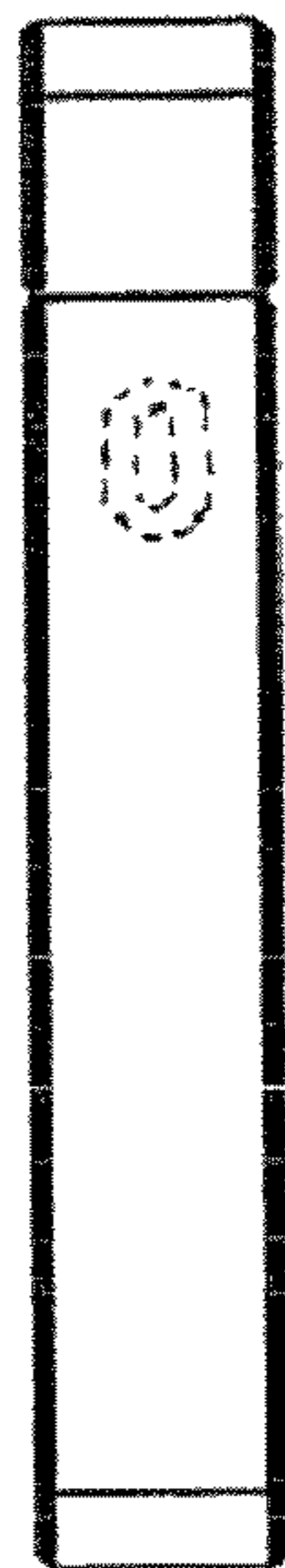


FIG. 11



FIG. 12



FIG. 13



FIG. 14

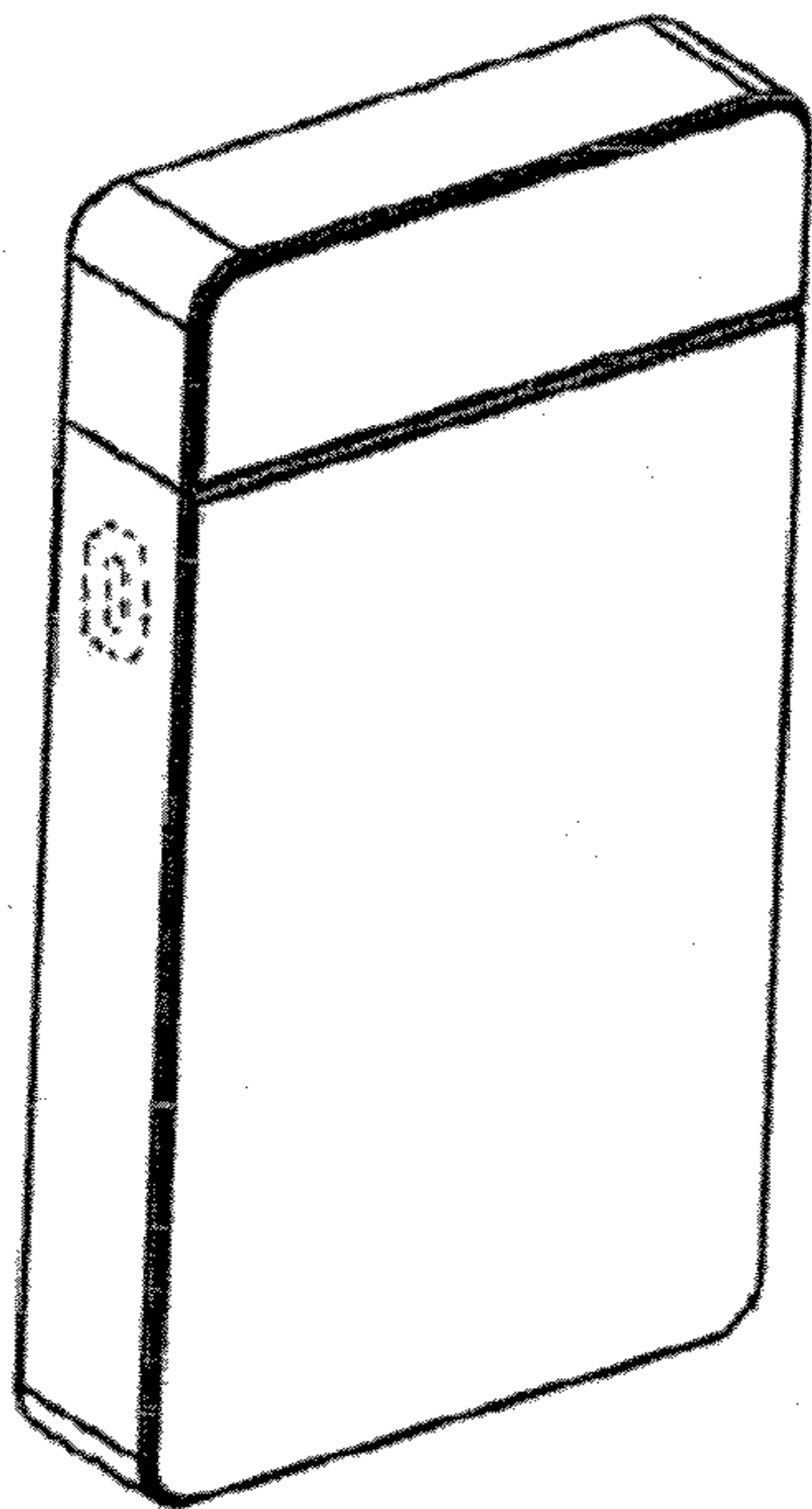


FIG. 15

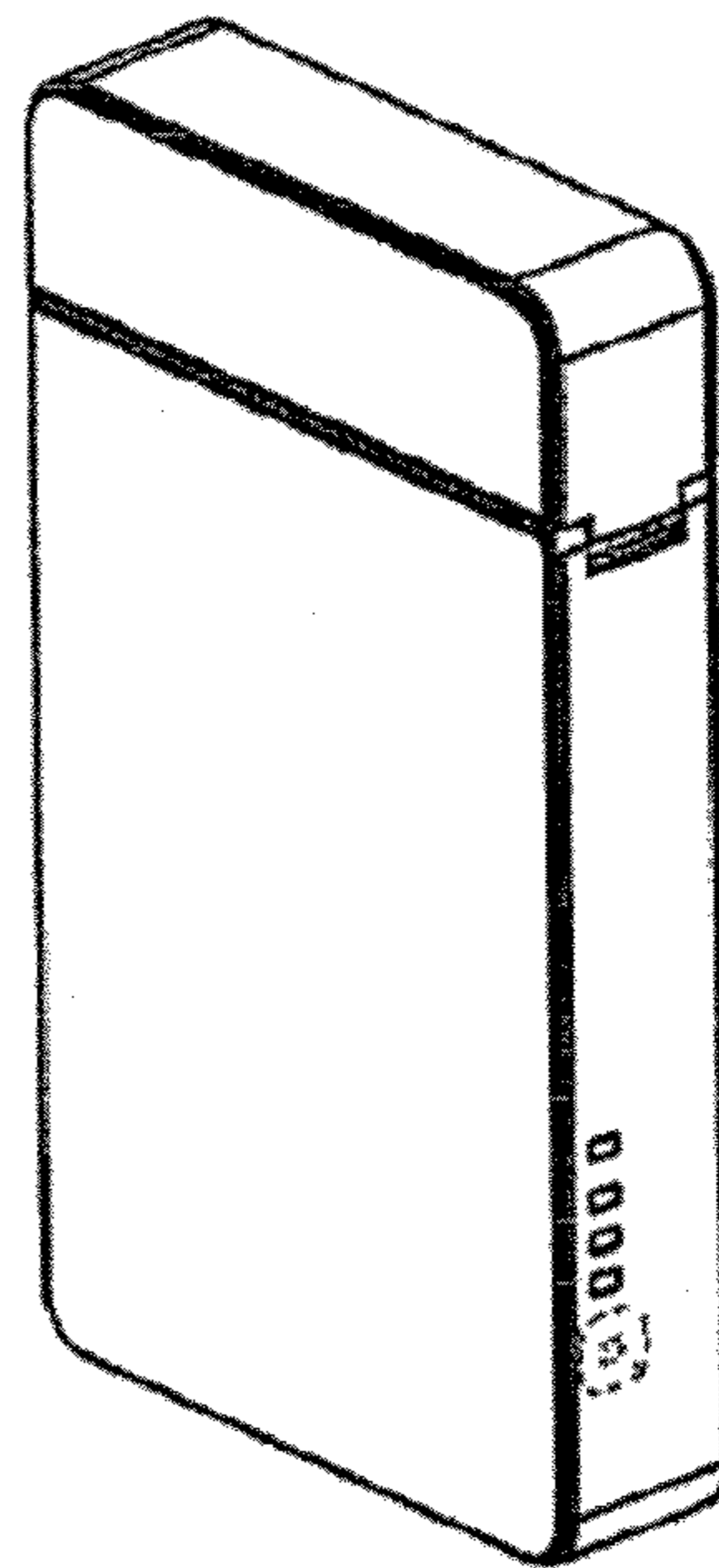


FIG. 16