



US00D690460S

(12) **United States Design Patent**
Kurland

(10) **Patent No.:** **US D690,460 S**

(45) **Date of Patent:** **** Sep. 24, 2013**

(54) **CIGAR SPILL**

(71) Applicant: **Brian Kurland**, Lake Oswego, OR (US)

(72) Inventor: **Brian Kurland**, Lake Oswego, OR (US)

(**) Term: **14 Years**

(21) Appl. No.: **29/447,680**

(22) Filed: **Mar. 5, 2013**

(51) **LOC (9) Cl.** **27-05**

(52) **U.S. Cl.**
USPC **D27/139**

(58) **Field of Classification Search**
USPC D27/139, 140, 147, 148, 181, 194,
D27/196; D7/416; D21/568; 132/321, 323,
132/329; 30/123, 149; D4/108; D28/65;
D22/118

See application file for complete search history.

(56) **References Cited**

U.S. PATENT DOCUMENTS

38,672	A	*	5/1863	Gleason	431/289
40,734	A	*	12/1863	Gleason	431/289
D27,650	S	*	9/1897	Kallenbach	D28/65
D133,062	S	*	7/1942	Leigh	D21/568
D269,194	S	*	5/1983	Butler	D21/386

D294,072	S	*	2/1988	Stern et al.	D28/65
D309,042	S	*	7/1990	Renno	D28/65
D370,743	S	*	6/1996	Huie	D28/65
D458,412	S	*	6/2002	Bojar	D28/65
D612,104	S	*	3/2010	Chodorow et al.	D28/66
D641,522	S	*	7/2011	Nanda	D28/66
D650,867	S	*	12/2011	Mueller	D21/568
D664,292	S	*	7/2012	Person	D27/139

* cited by examiner

Primary Examiner — Susan Bennett Hattan

Assistant Examiner — Janice Hallmark

(74) *Attorney, Agent, or Firm* — QuickPatents; Kevin Prince

(57) **CLAIM**

I claim the ornamental design for a cigar spill, as shown and described.

DESCRIPTION

FIG. 1 is a perspective view of a cigar spill, showing my new design;

FIG. 2 is a left-side elevational view thereof;

FIG. 3 is a right-side elevational view thereof;

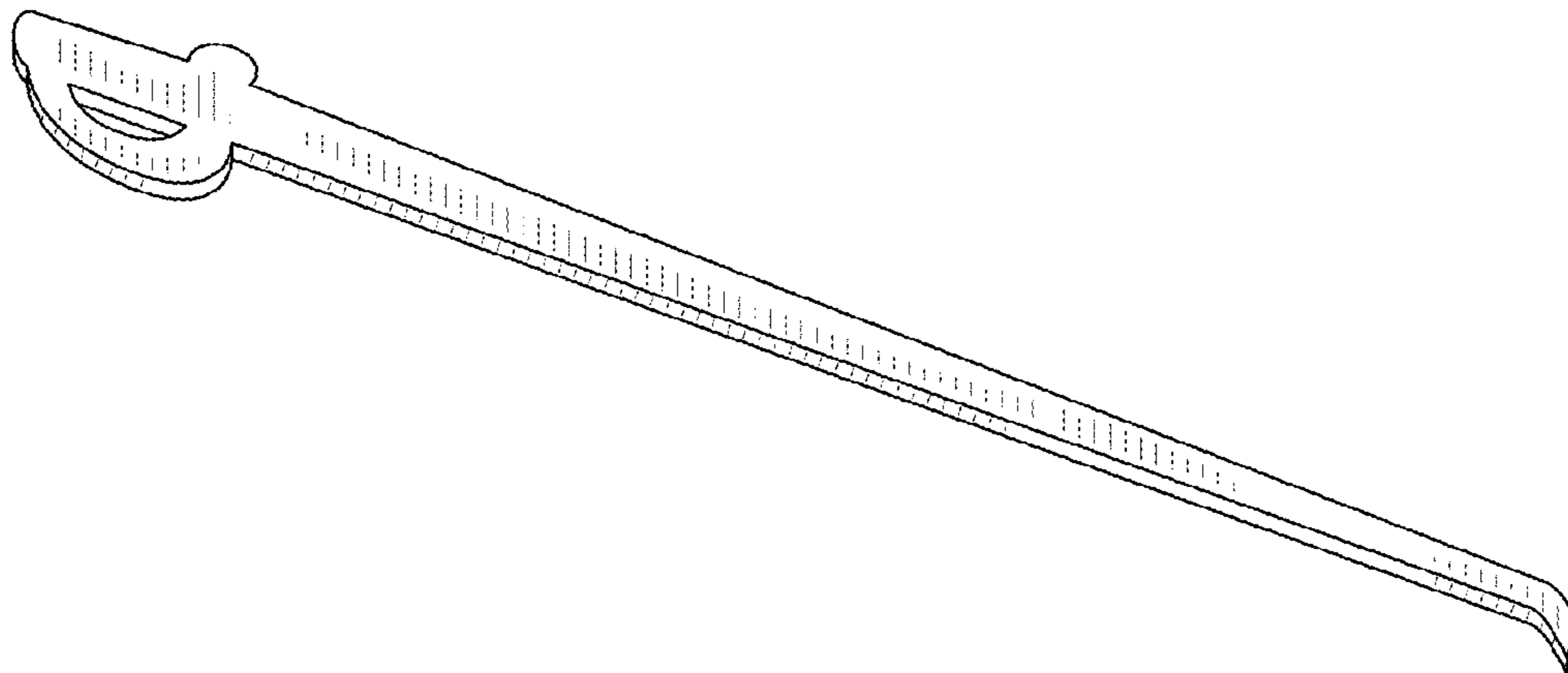
FIG. 4 is a front elevational view thereof;

FIG. 5 is a rear elevational view thereof;

FIG. 6 is a top plan view thereof; and,

FIG. 7 is a bottom plan view thereof.

1 Claim, 1 Drawing Sheet



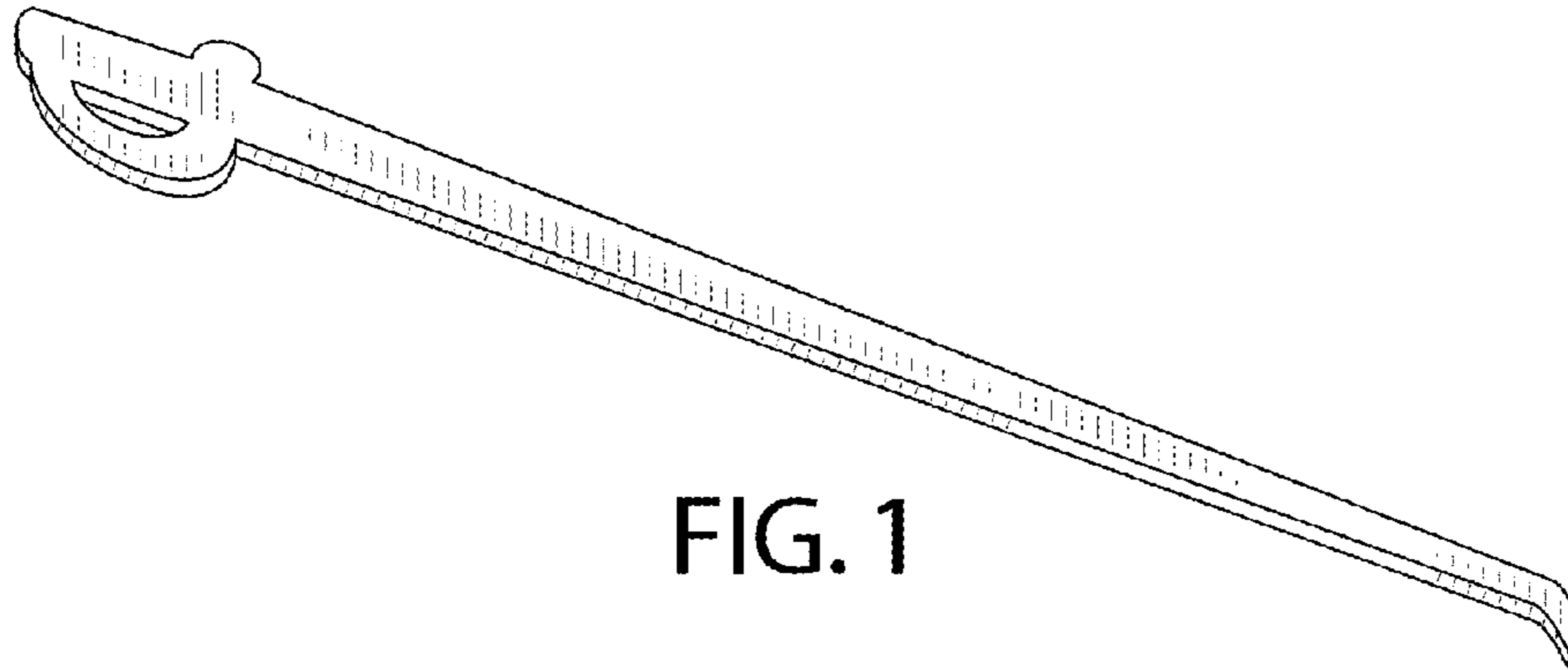


FIG. 1

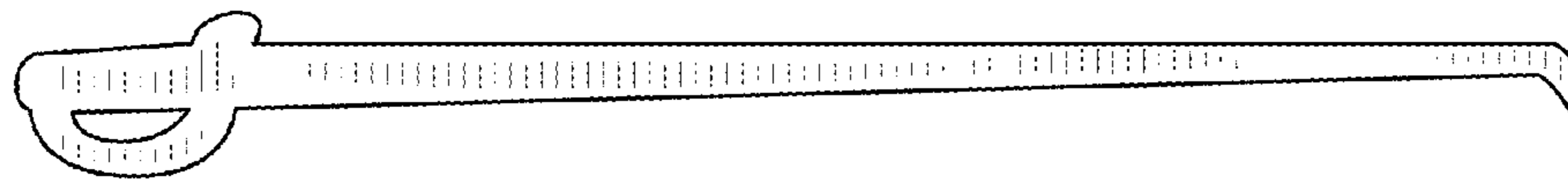


FIG. 2

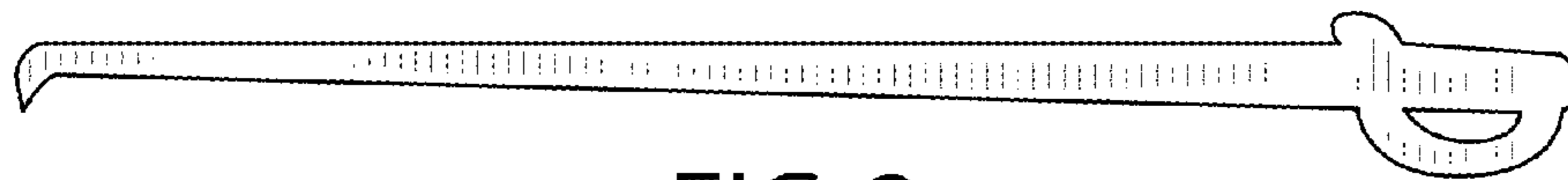


FIG. 3



FIG. 4



FIG. 5

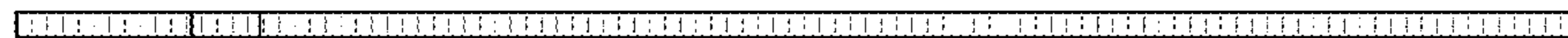


FIG. 6

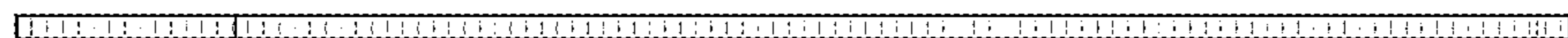


FIG. 7