

US00D690457S

(12) **United States Design Patent**
Lu

(10) **Patent No.:** **US D690,457 S**

(45) **Date of Patent:** **** Sep. 24, 2013**

(54) **ROUND SHAPED LAMPSHADE**

(76) Inventor: **James Lu**, Guangdong Province (CN)

(**) Term: **14 Years**

(21) Appl. No.: **29/409,470**

(22) Filed: **Dec. 23, 2011**

(51) **LOC (9) Cl.** **26-99**

(52) **U.S. Cl.**
USPC **D26/118**

(58) **Field of Classification Search**
USPC D26/120, 121, 122, 118, 119, 76,
D26/75, 74, 64, 88, 86, 62, 65, 66, 141, 142,
D26/145, 155, 113, 138, 139, 140, 147, 143,
D26/144, 123, 124, 125, 128, 129, 137, 85,
D26/130, 126, 127, 135, 136, 93, 95, 96,
D26/24, 51, 52, 61, 60, 92, 94, 154, 153,
D26/152, 151, 156, 146; 362/294, 326, 220,
362/223, 222, 362, 368, 341, 260, 147, 149,
362/150, 224, 225, 264, 375, 235, 236, 347,
362/249.01-249.12, 157, 133, 402, 370;
52/28; 359/802; D16/131, 135

See application file for complete search history.

D490,553 S * 5/2004 Waldmann D26/61
D505,219 S * 5/2005 Jacquelin D26/51
D507,372 S * 7/2005 Lu D26/62
D520,543 S * 5/2006 Welch D16/131
D526,340 S * 8/2006 Hodgson D16/135
D526,673 S * 8/2006 Hodgson D16/135
D538,830 S * 3/2007 Yip et al. D16/135
D549,968 S * 9/2007 Pitot et al. D6/312
D563,018 S * 2/2008 Nankil D26/70
7,400,459 B2 * 7/2008 Welch 359/802
D578,698 S * 10/2008 Zheng D26/71
D597,238 S * 7/2009 Lu et al. D26/61
D597,239 S * 7/2009 Hodgson D26/65
D602,967 S * 10/2009 Hui D16/135
D614,219 S * 4/2010 Yip et al. D16/135
D617,040 S * 6/2010 Hsieh D26/118
D619,287 S * 7/2010 Liu D26/62
D628,739 S * 12/2010 Lu et al. D26/113
D629,132 S * 12/2010 Huang D26/62
D636,513 S * 4/2011 Furtsch D26/51
7,980,722 B2 * 7/2011 Coleman et al. 362/138
D643,570 S * 8/2011 Lu D26/118
D644,368 S * 8/2011 Fu D26/65

(Continued)

Primary Examiner — Kevin Rudzinski

(57) **CLAIM**
The ornamental design for a round shaped lampshade, as shown.

(56) **References Cited**

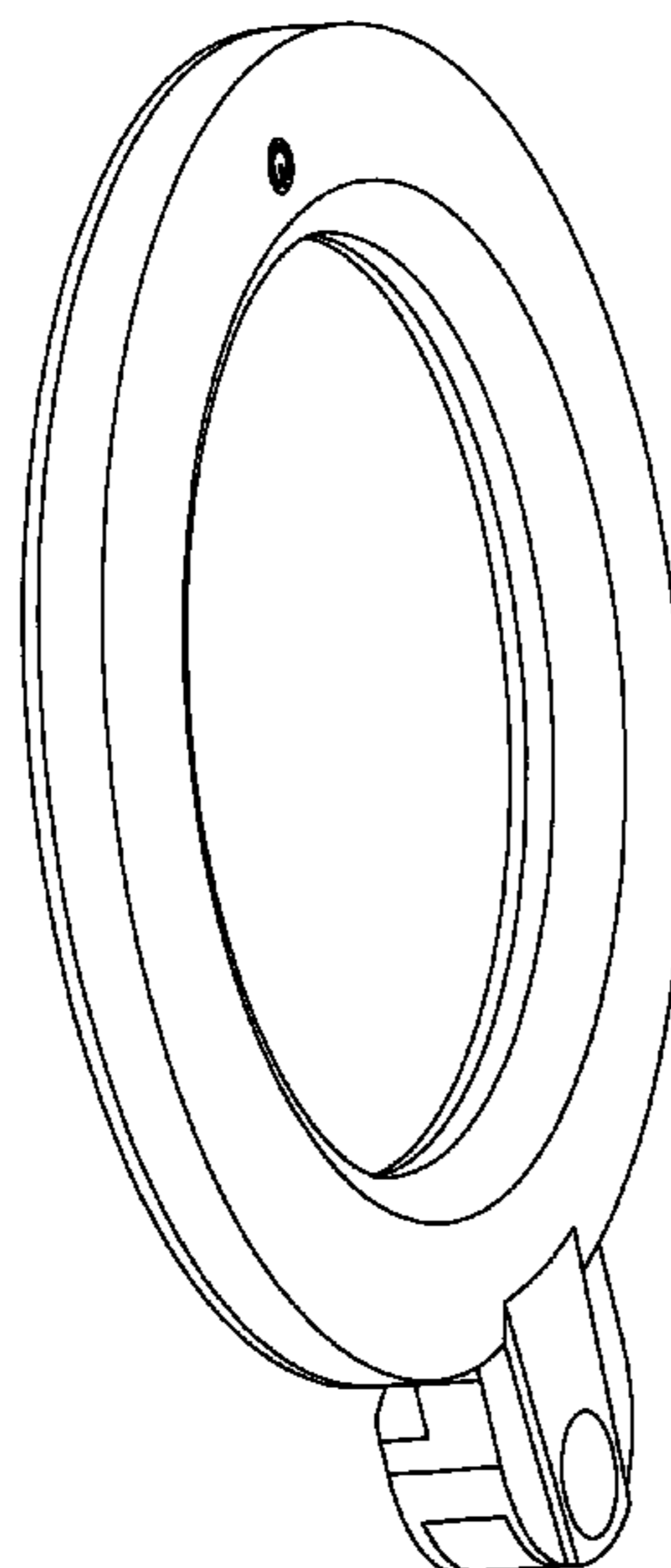
U.S. PATENT DOCUMENTS

D196,270 S * 9/1963 Mehr D16/135
D266,958 S * 11/1982 Gernhardt D26/92
D324,060 S * 2/1992 Huang D16/135
5,613,771 A * 3/1997 Siverling 362/401
5,953,157 A * 9/1999 Christianson 359/509
6,088,173 A * 7/2000 Mendelsohn et al. 359/802
D448,782 S * 10/2001 Wright D16/135
6,322,226 B1 * 11/2001 Dickson 362/33
D463,054 S * 9/2002 Huang D26/60
D470,965 S * 2/2003 Landefeld D26/71
D482,813 S * 11/2003 Waldmann D26/61
6,663,266 B2 * 12/2003 Huang 362/402

DESCRIPTION

FIG. 1 is a front elevational view of a round shaped lampshade showing my new design;
FIG. 2 is a rear elevational view thereof;
FIG. 3 is a left side view thereof;
FIG. 4 is a right side view thereof;
FIG. 5 is a top plan view thereof;
FIG. 6 is a bottom plan view thereof;
FIG. 7 is a perspective view thereof; and,
FIG. 8 is another perspective view thereof.

1 Claim, 6 Drawing Sheets



(56)

References Cited

U.S. PATENT DOCUMENTS

D648,057 S * 11/2011 Copeland D26/65
D650,117 S * 12/2011 Lu D26/118
D661,419 S * 6/2012 Huang D26/62
D662,242 S * 6/2012 Yu D26/63

D662,957 S * 7/2012 Stubel D16/135
2003/0210553 A1 * 11/2003 Huang 362/402
2004/0095773 A1 * 5/2004 Gaskins et al. 362/370
2006/0082994 A1 * 4/2006 Wang et al. 362/227
2011/0085338 A1 * 4/2011 Lu 362/268
2012/0170274 A1 * 7/2012 Lu 362/253

* cited by examiner

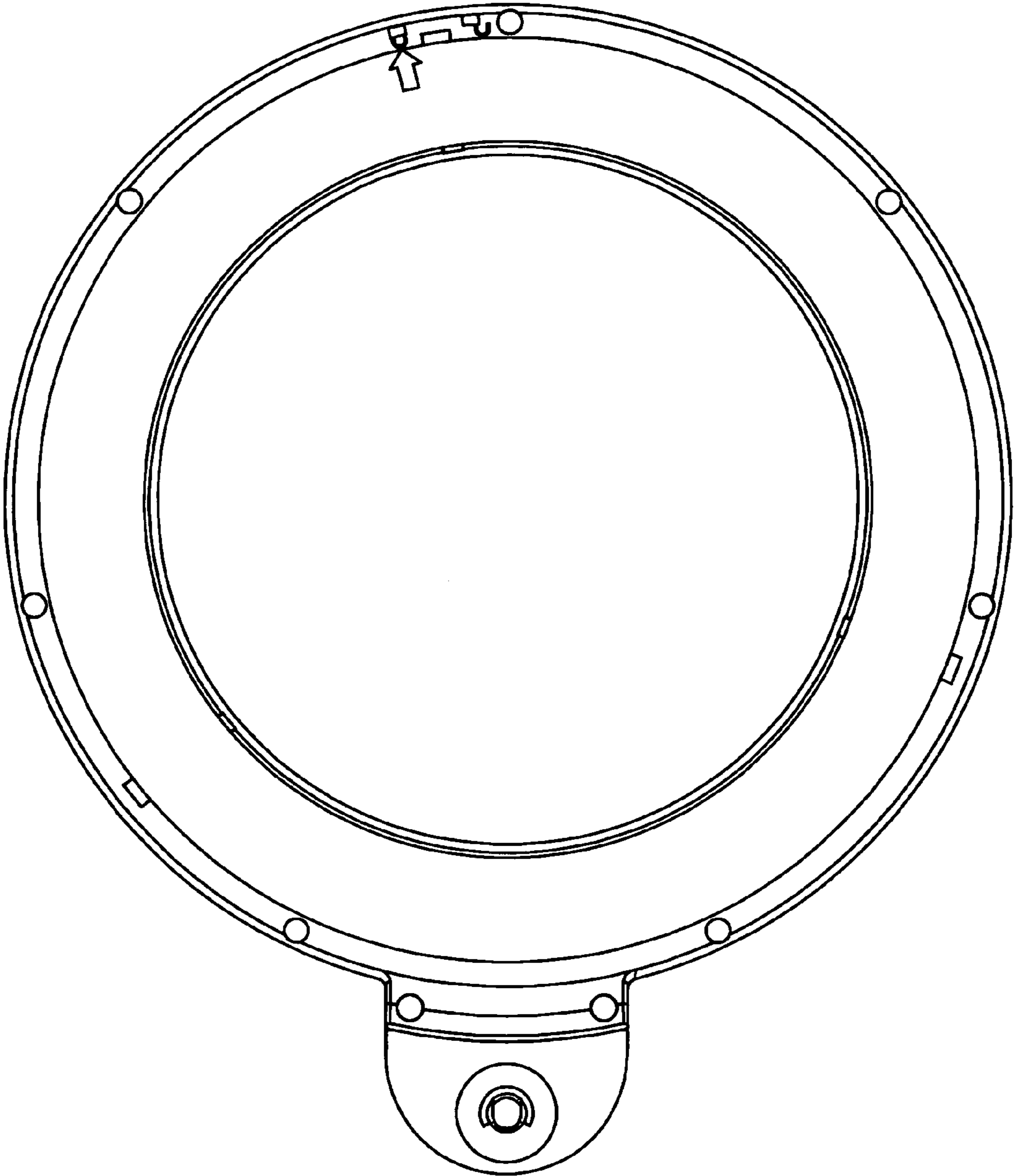


FIG. 1

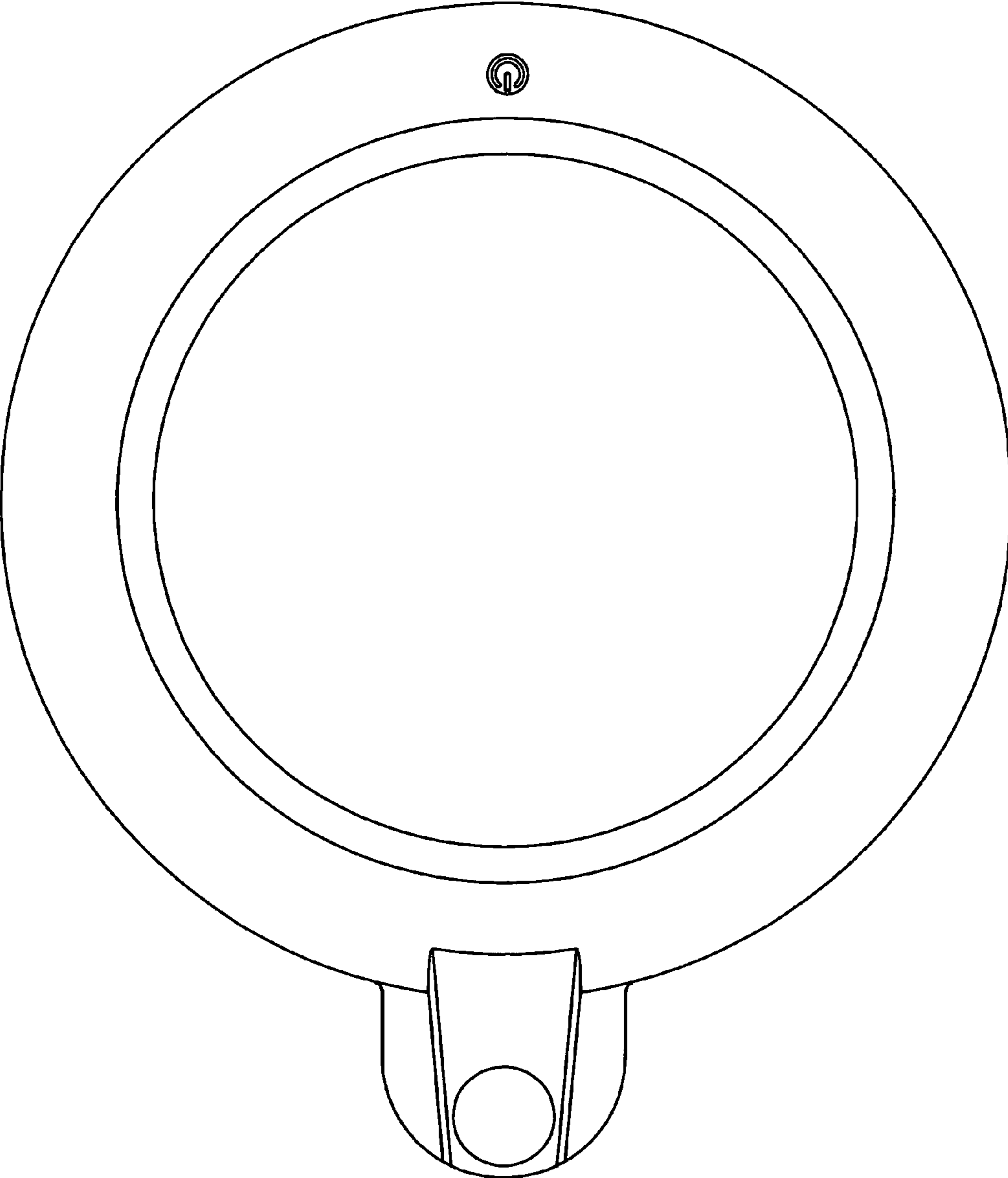


FIG. 2

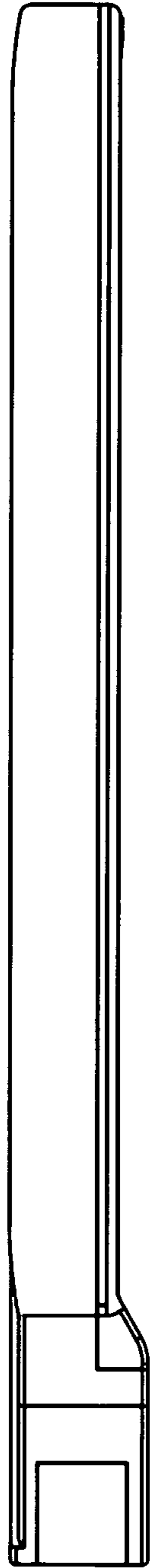


FIG. 3

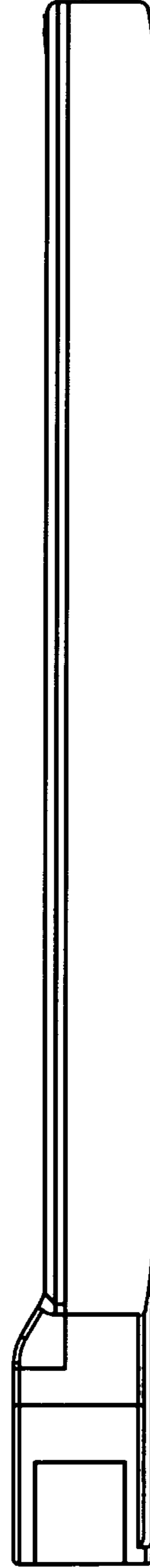


FIG. 4

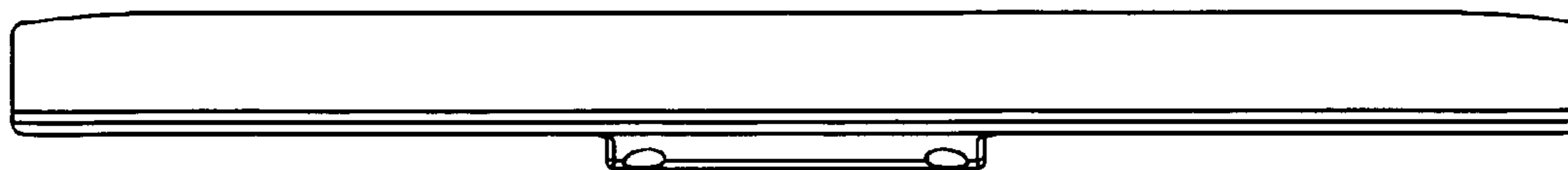


FIG. 5

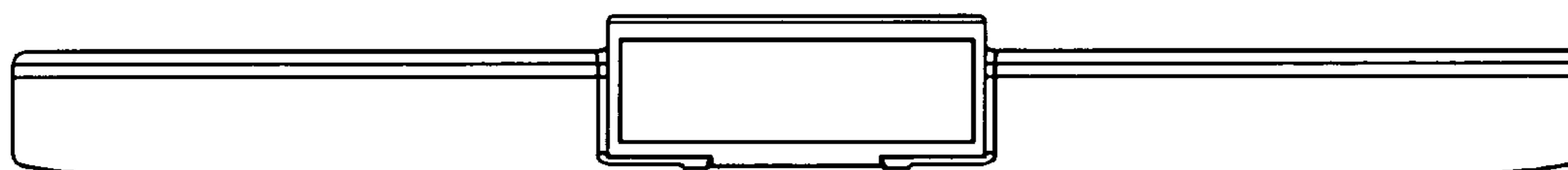


FIG. 6

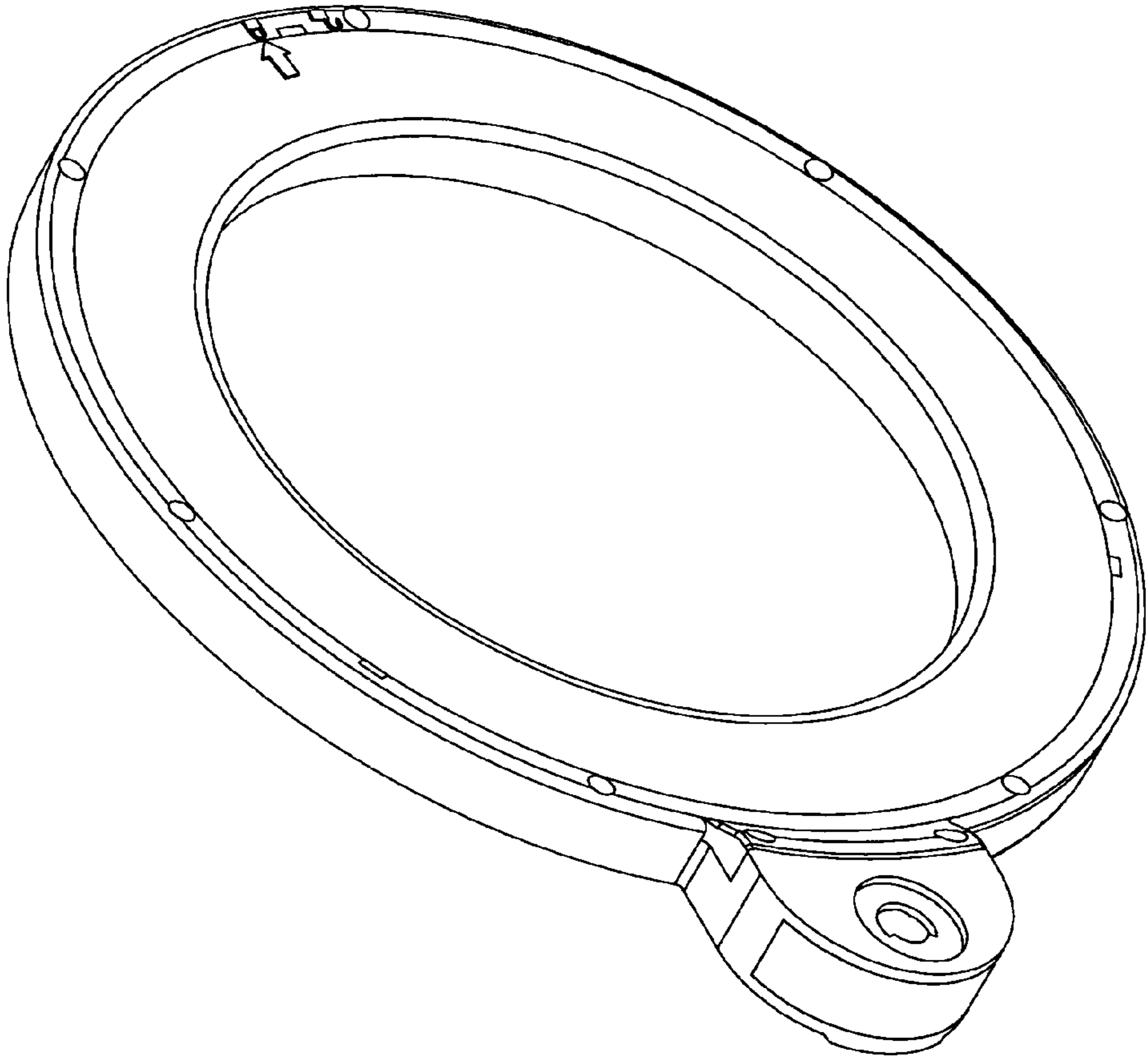


FIG. 7

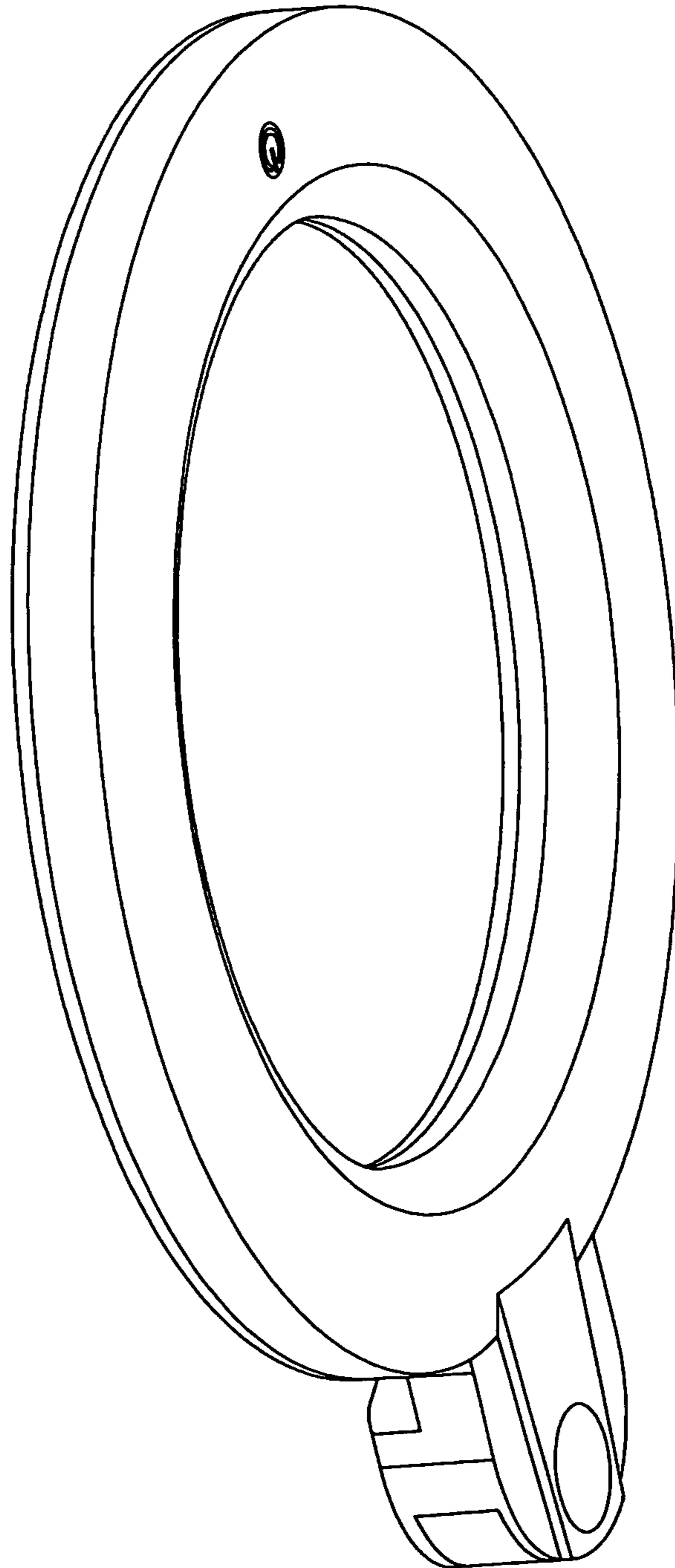


FIG. 8