

US00D690456S

(12) **United States Design Patent**
Almodova

(10) **Patent No.:** **US D690,456 S**
(45) **Date of Patent:** **** Sep. 24, 2013**

(54) **LAMP**

(75) Inventor: **Michael Almodova**, San Francisco, CA (US)

(73) Assignee: **Restoration Hardware, Inc.**, Corte Madera, CA (US)

(**) Term: **14 Years**

(21) Appl. No.: **29/429,750**

(22) Filed: **Aug. 15, 2012**

(51) **LOC (9) Cl.** **26-03**

(52) **U.S. Cl.**
USPC **D26/112**

(58) **Field of Classification Search**
USPC D26/1, 24, 58, 6, 93-94, 104-107, D26/110, 112; 362/3, 153, 186, 217, 255, 362/257, 277, 317, 351, 353, 362, 382, 431, 362/433, 458, 806, 363

See application file for complete search history.

(56) **References Cited**

U.S. PATENT DOCUMENTS

D72,592 S	5/1927	Christensen	
D77,406 S	1/1929	Greene	
D279,716 S *	7/1985	Wehrhahn et al.	D26/94
D328,153 S *	7/1992	Benghozi	
D345,024 S *	3/1994	Fox	D26/93
D354,582 S	1/1995	Stromberg	
D393,917 S *	4/1998	Hutton	D26/106
D414,289 S	9/1999	Diaz-Azcuy	
D432,706 S *	10/2000	Bleisch	D26/110
D433,176 S	10/2000	Barry	
D433,530 S *	11/2000	Barry	D26/112
D434,518 S *	11/2000	Rivers	D26/110
D515,234 S *	2/2006	Salatto-Rose	D26/106
D557,855 S *	12/2007	Schrade et al.	D26/106
D560,025 S	1/2008	Shulem	
D589,203 S *	3/2009	Sabernig	D26/104
D610,302 S *	2/2010	Chiu	D26/93
D642,320 S *	7/2011	Eusterbrock	D26/106
D642,324 S *	7/2011	Lewis	D26/110

OTHER PUBLICATIONS

Restoration Hardware Home Catalog; Late Summer 2008; Cover Page, pp. 32, 128-129, 166 and 167.
Restoration Hardware Home, Famous Fall Lighting Sale pamphlet (2008); Cover page, pp. 3, 4, 5, 6, 9, 10 and 11.
Restoration Hardware Home Catalog, Early Spring 2009; Cover page, pp. 15, 19, 56, 132, 133, 134, 135 and 175.
Restoration Hardware Catalog, "There Are Pieces That Furnish A Home. And Those That Define It." (2009); Cover page, pp. 14, 23, 27, 35, 45, 152, 153, 154 and 155.
Restoration Hardware Famous Fall Lighting Sale (2009); Cover page, pp. 10, 81, 102, 103, 104 and 105.
Restoration Hardware The Fall Lighting Event 2010; Cover page, pp. 5, 29, 46, 58, 65, 68, 75, 84, 111, 250 and 251.
Restoration Hardware Celebrate Catalog, Holiday 2010; Cover page & pp. 55, 58, 90, 96, 101, 111 and 131.
Restoration Hardware Catalog, "Welcome To Your New Home", Spring 2011 Source Book; Cover page, pp. 297, 299, 305, 307 and 309.
Restoration Hardware The Spring 2011 Source Book; Cover page, pp. 75, 181, 297, 299, 305, 306, 307, and 309.
Restoration Hardware Fall 2011 Source Book; Cover page, pp. 436, 437, 441, 444, 451, 452 and 453.
Restoration Hardware Spring 2012 Catalog; cover page, pp. 492-493.

* cited by examiner

Primary Examiner — Brian N Vinson

(74) *Attorney, Agent, or Firm* — Lewis and Roca LLP

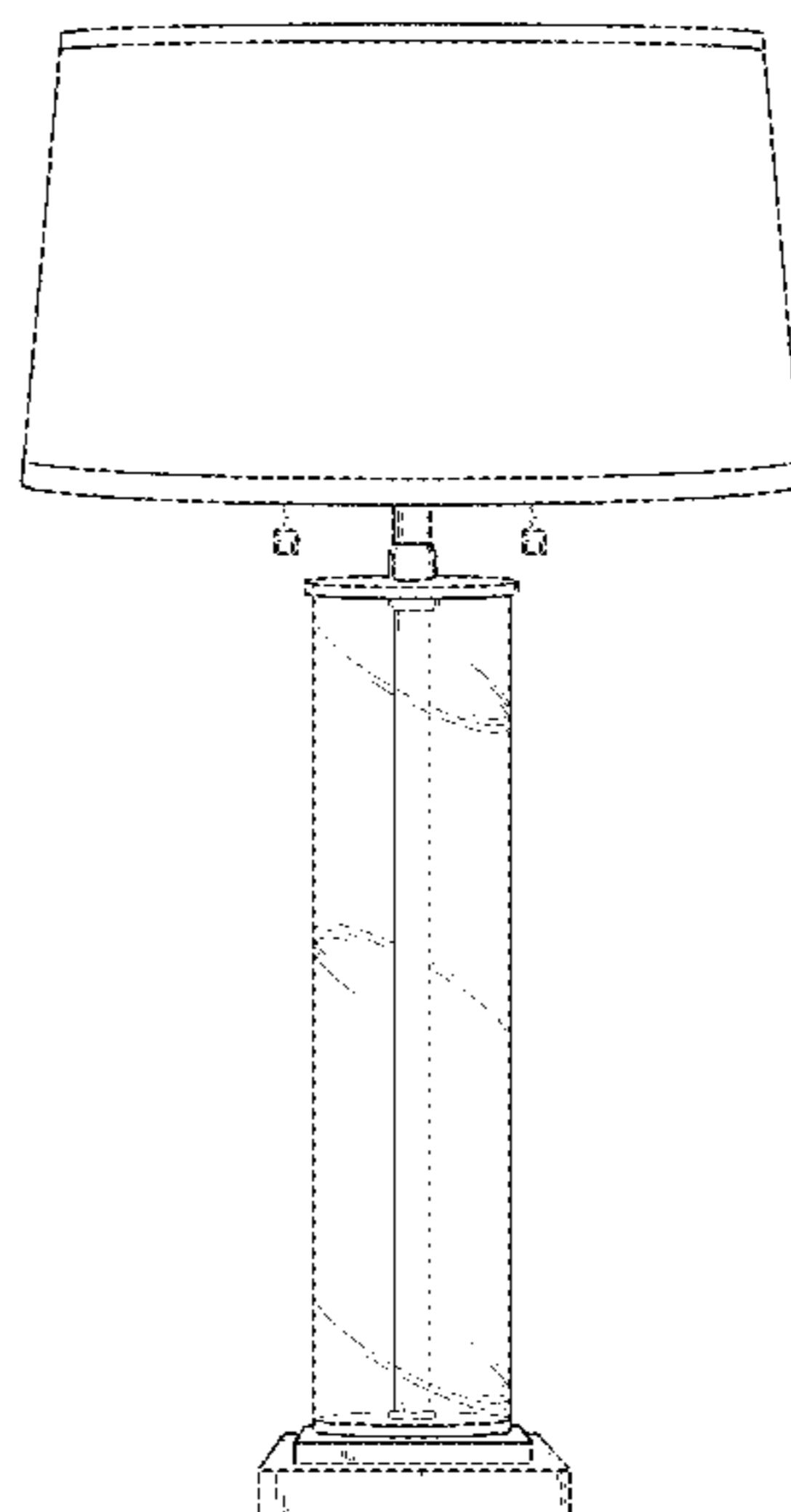
(57) **CLAIM**

The ornamental design for a lamp, as shown and described.

DESCRIPTION

FIG. 1 is a top and front perspective view of a lamp showing my new design; the rear being a mirror image of that shown; and,
FIG. 2 is a top and side perspective view thereof, the opposite side being a mirror image of that shown.

1 Claim, 2 Drawing Sheets



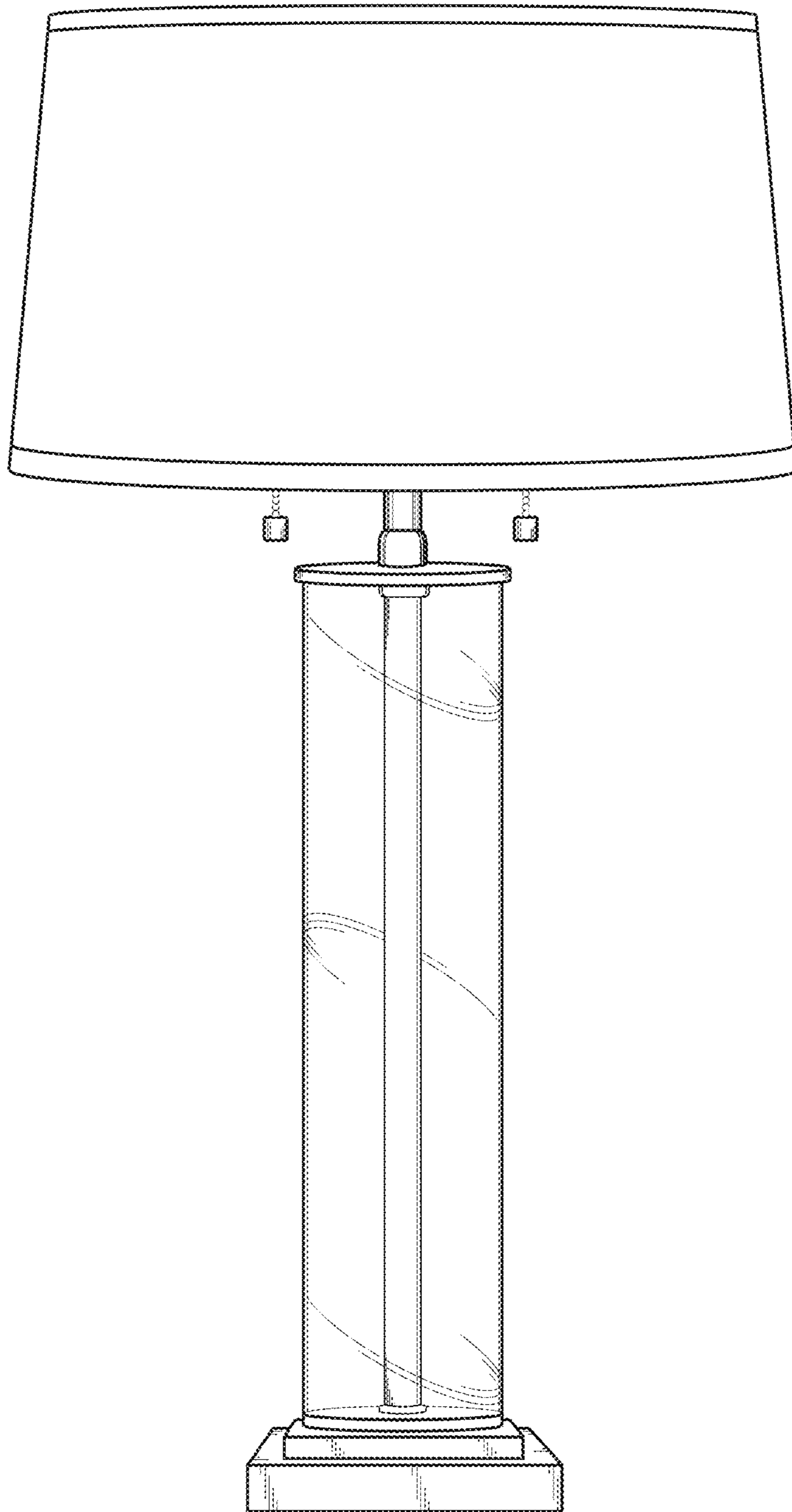


FIG. 1

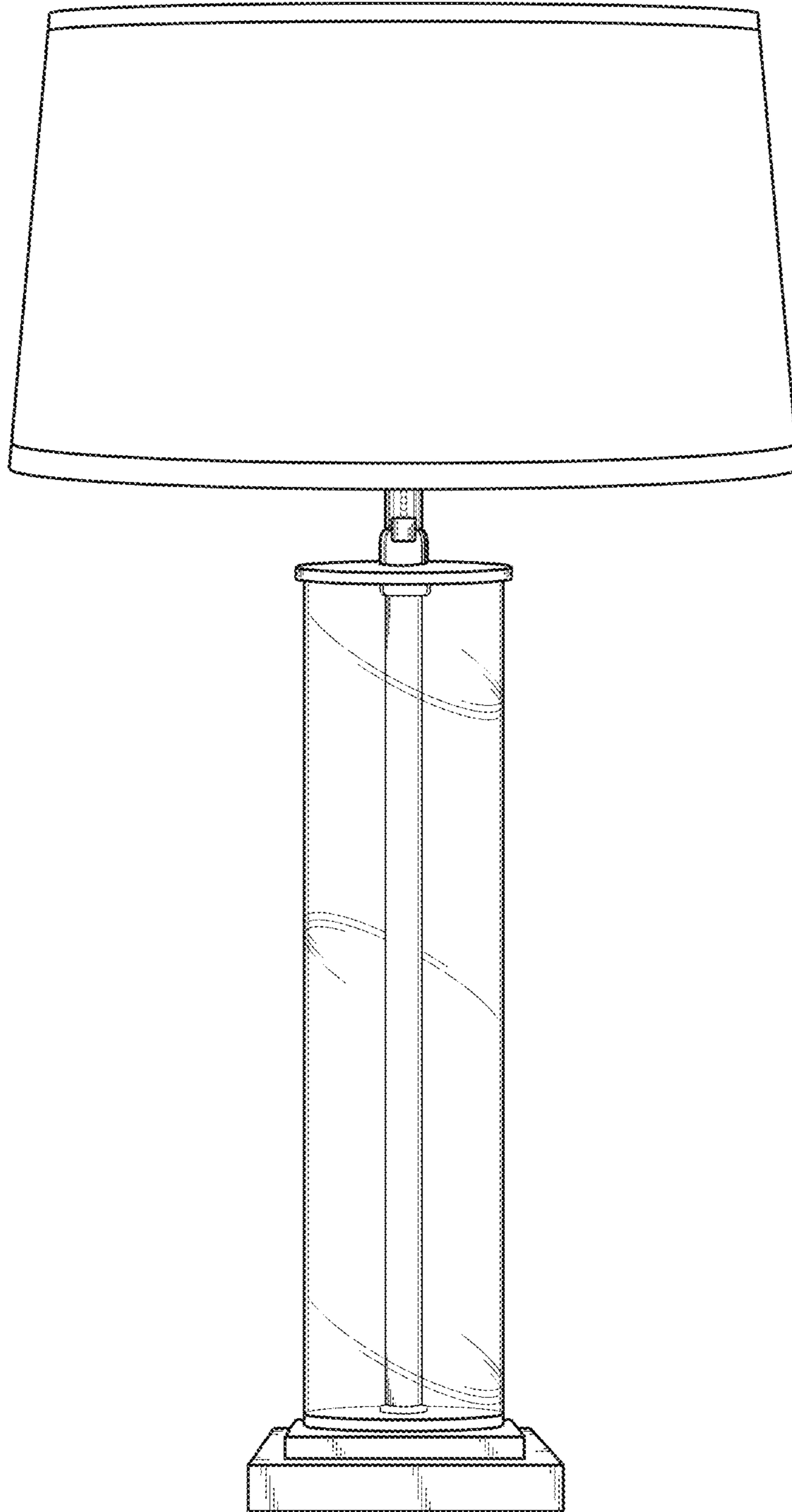


FIG. 2