

US00D690452S

(12) **United States Design Patent**
Payne

(10) **Patent No.:** **US D690,452 S**
(45) **Date of Patent:** **** Sep. 24, 2013**

(54) **WATERPROOF LAMP**

(76) Inventor: **Tom Payne**, Hays, KS (US)

(**) Term: **14 Years**

(21) Appl. No.: **29/425,627**

(22) Filed: **Jun. 25, 2012**

(51) **LOC (9) Cl.** **26-03**

(52) **U.S. Cl.**
USPC **D26/80**

(58) **Field of Classification Search**
USPC D26/72, 75-78, 80, 84, 86, 88, 89,
D26/90; 362/133, 217.01, 218, 219, 221-224,
362/240, 404-408, 101, 477
See application file for complete search history.

(56) **References Cited**

U.S. PATENT DOCUMENTS

4,943,900	A *	7/1990	Gartner	362/227
D520,667	S *	5/2006	Jae-Sung et al.	D26/76
7,258,459	B2 *	8/2007	Wang	362/101
D595,444	S *	6/2009	Shimomura	D26/76
D606,673	S *	12/2009	Kao	D26/3

D627,914	S *	11/2010	Couture	D26/76
D637,753	S *	5/2011	Ng et al.	D26/78
D654,612	S *	2/2012	Ng	D26/80
D667,585	S *	9/2012	Yamazaki et al.	D26/80
8,277,098	B2 *	10/2012	Ortwein et al.	362/477
8,303,145	B2 *	11/2012	Wilcox	362/477
8,388,171	B2 *	3/2013	Tung et al.	362/217.01
8,454,185	B2 *	6/2013	Hua et al.	362/101

* cited by examiner

Primary Examiner — Clare E Heflin

(74) *Attorney, Agent, or Firm* — QuickPatents; Kevin Prince

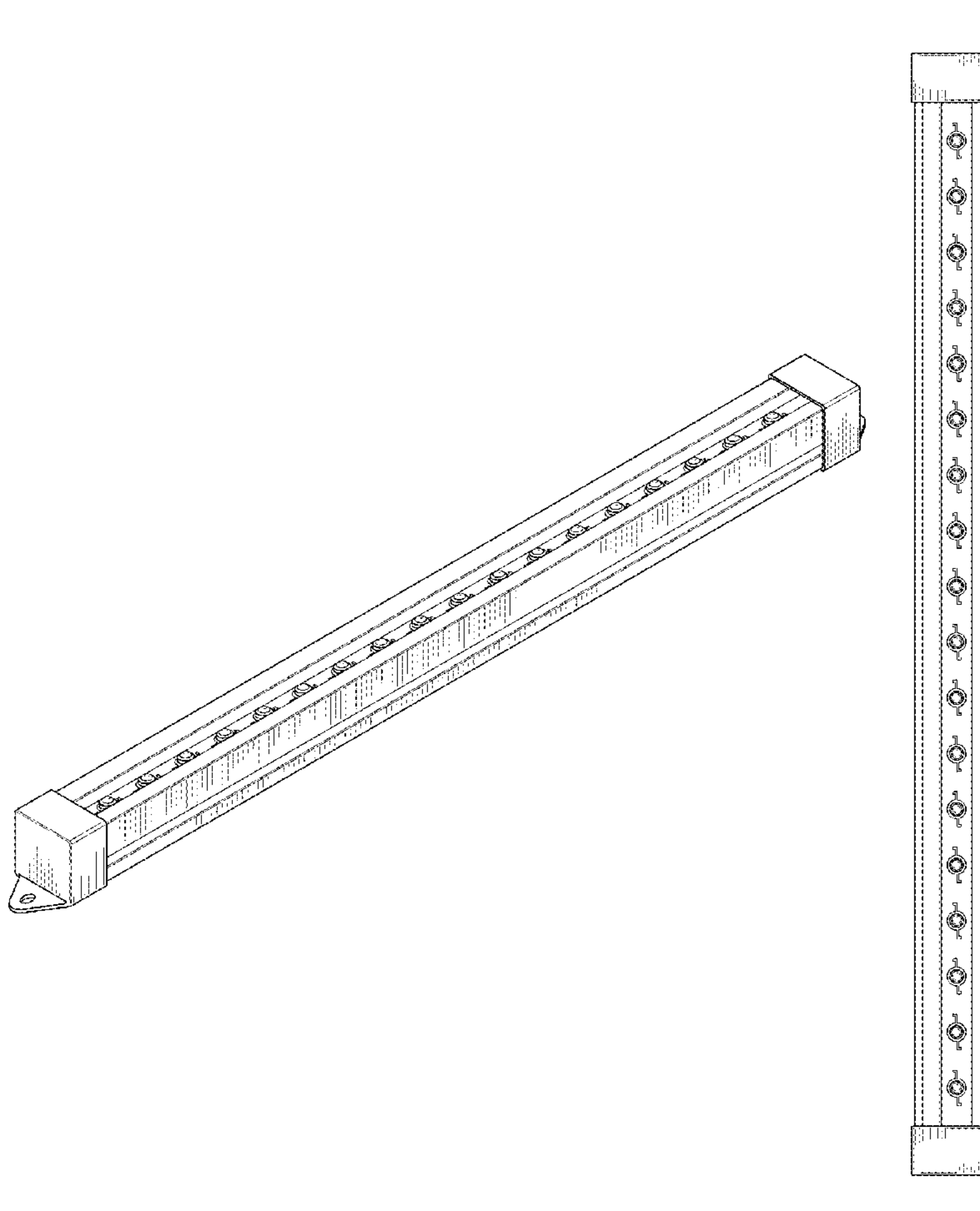
(57) **CLAIM**

I claim the ornamental design for a waterproof lamp, as shown and described.

DESCRIPTION

FIG. 1 is a perspective view of a waterproof lamp, showing my new design;
FIG. 2 is a top plan view thereof, the bottom plan view being a mirror image thereof;
FIG. 3 is a right-side elevational view thereof;
FIG. 4 is a left-side elevational view thereof;
FIG. 5 is a top plan view thereof; and,
FIG. 6 is a bottom plan view thereof.

1 Claim, 2 Drawing Sheets



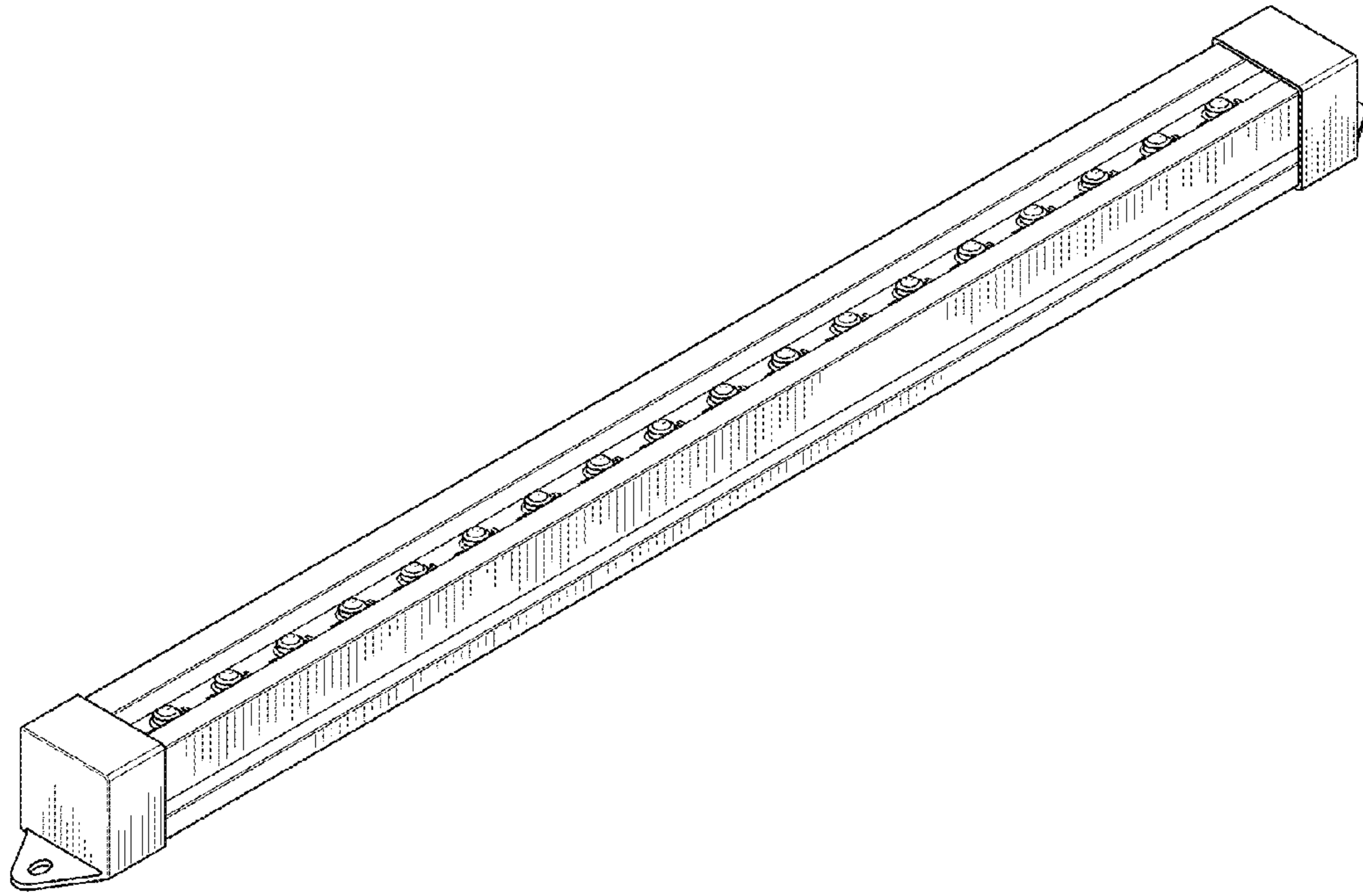


FIG. 1



FIG. 2

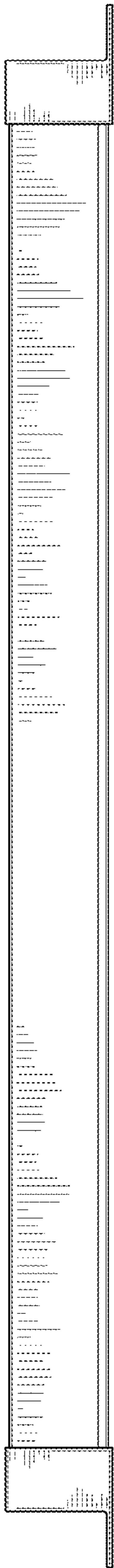


FIG. 3

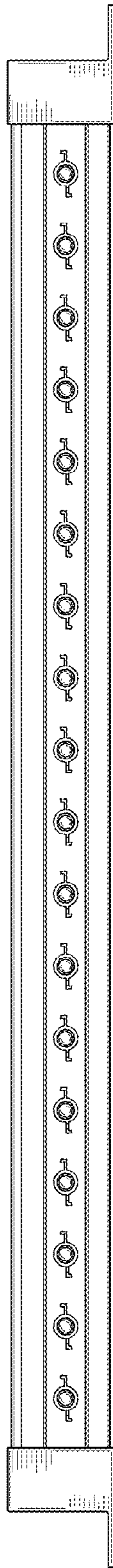


FIG. 4

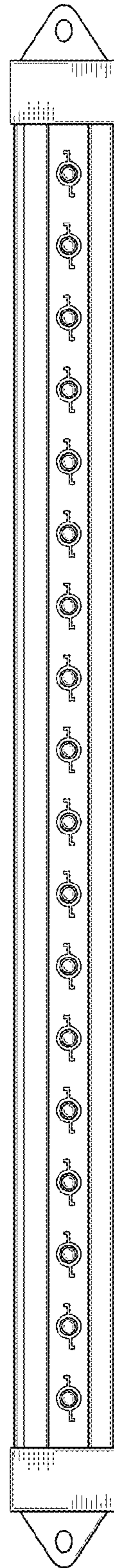


FIG. 5

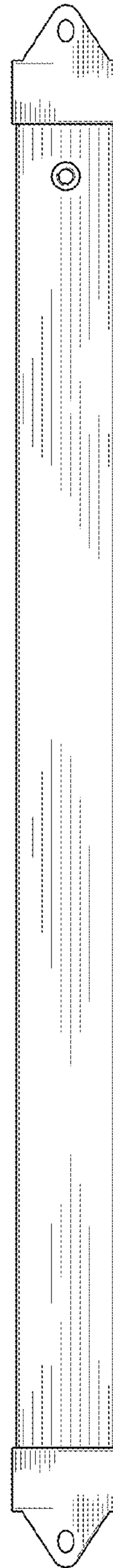


FIG. 6