



US00D690450S

(12) **United States Design Patent**  
**Guercio et al.**

(10) **Patent No.:** **US D690,450 S**

(45) **Date of Patent:** **\*\* Sep. 24, 2013**

(54) **EXPLOSION PROOF LED LIGHT FIXTURE**

(75) Inventors: **Vincenzo Guercio**, Wallkill, NY (US);  
**James Lau**, Nyack, NY (US)

(73) Assignee: **RAB Lighting Inc.**, Northvale, NJ (US)

(\*\*) Term: **14 Years**

(21) Appl. No.: **29/428,696**

(22) Filed: **Aug. 2, 2012**

(51) **LOC (9) Cl.** ..... **26-05**

(52) **U.S. Cl.**  
USPC ..... **D26/72; D26/92**

(58) **Field of Classification Search**  
USPC ..... D26/63, 72, 80, 84–92; 362/147,  
362/373, 404–408, 431, 432  
See application file for complete search history.

(56) **References Cited**

**U.S. PATENT DOCUMENTS**

D56,956 S *	1/1921	Wohlauer	.....	D26/88
D190,827 S *	7/1961	Phillips	.....	D26/89
D203,293 S *	12/1965	Pettengill	.....	D26/67
D229,090 S *	11/1973	Anderson	.....	D26/85
D240,320 S *	6/1976	Anderson	.....	D26/85
D424,228 S *	5/2000	Grossman	.....	D26/71
7,097,332 B2 *	8/2006	Vamberi	.....	362/405
7,152,992 B1 *	12/2006	Monroe et al.	.....	362/147
7,611,264 B1 *	11/2009	Chang et al.	.....	362/249.02
D622,890 S *	8/2010	Mo	.....	D26/72
D625,038 S *	10/2010	Yoo	.....	D26/85

D627,911 S *	11/2010	Mo et al.	.....	D26/72
D627,912 S *	11/2010	Mo	.....	D26/72
D651,735 S *	1/2012	Dai	.....	D26/72
8,100,556 B2 *	1/2012	Patrick et al.	.....	362/249.02
D657,088 S *	4/2012	Miro	.....	D26/89
8,297,798 B1 *	10/2012	Pittman et al.	.....	362/296.05

\* cited by examiner

*Primary Examiner* — Clare E Heflin

(74) *Attorney, Agent, or Firm* — SmithAmundsen LLC;  
Dennis S. Schell

(57) **CLAIM**

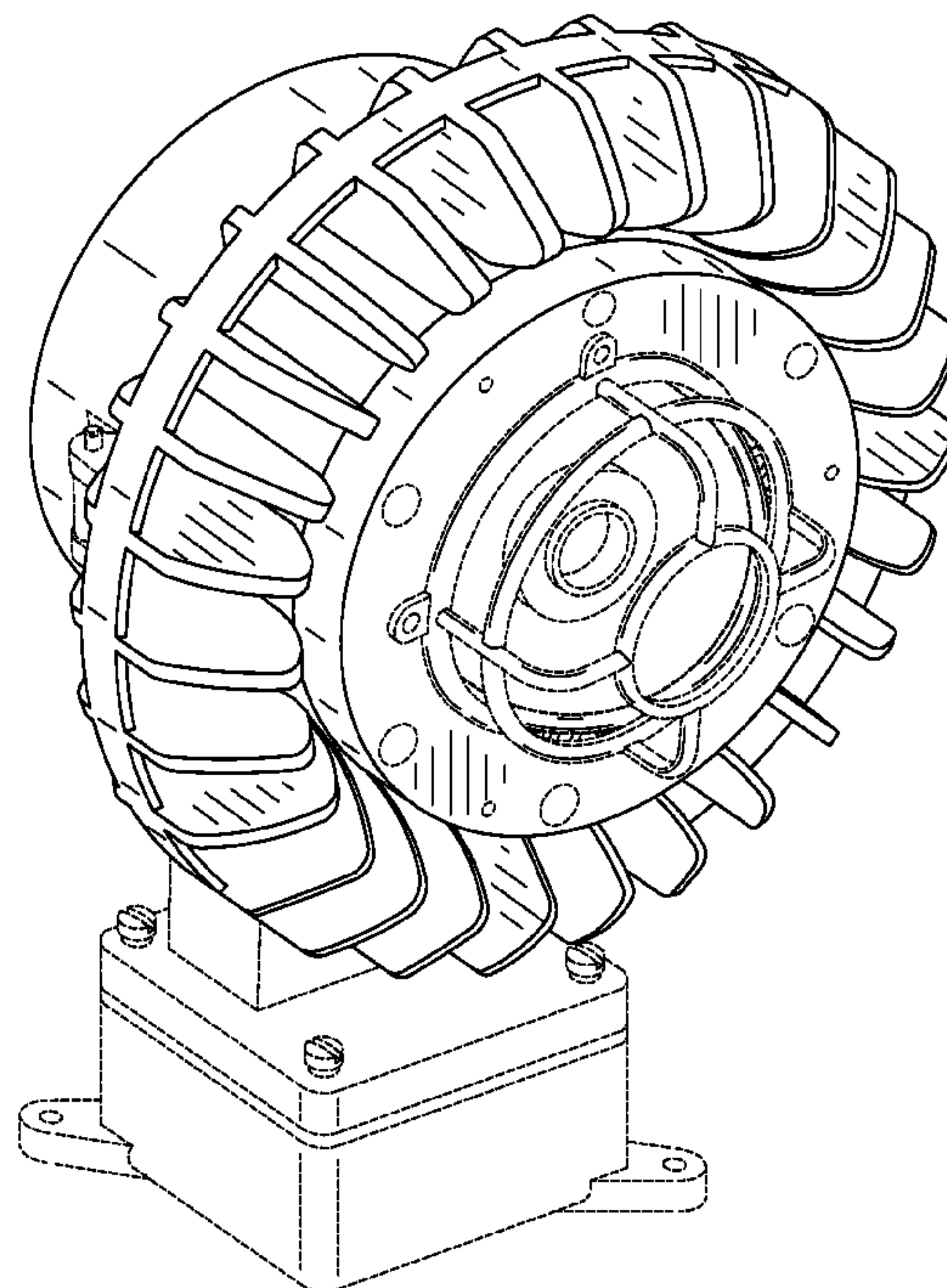
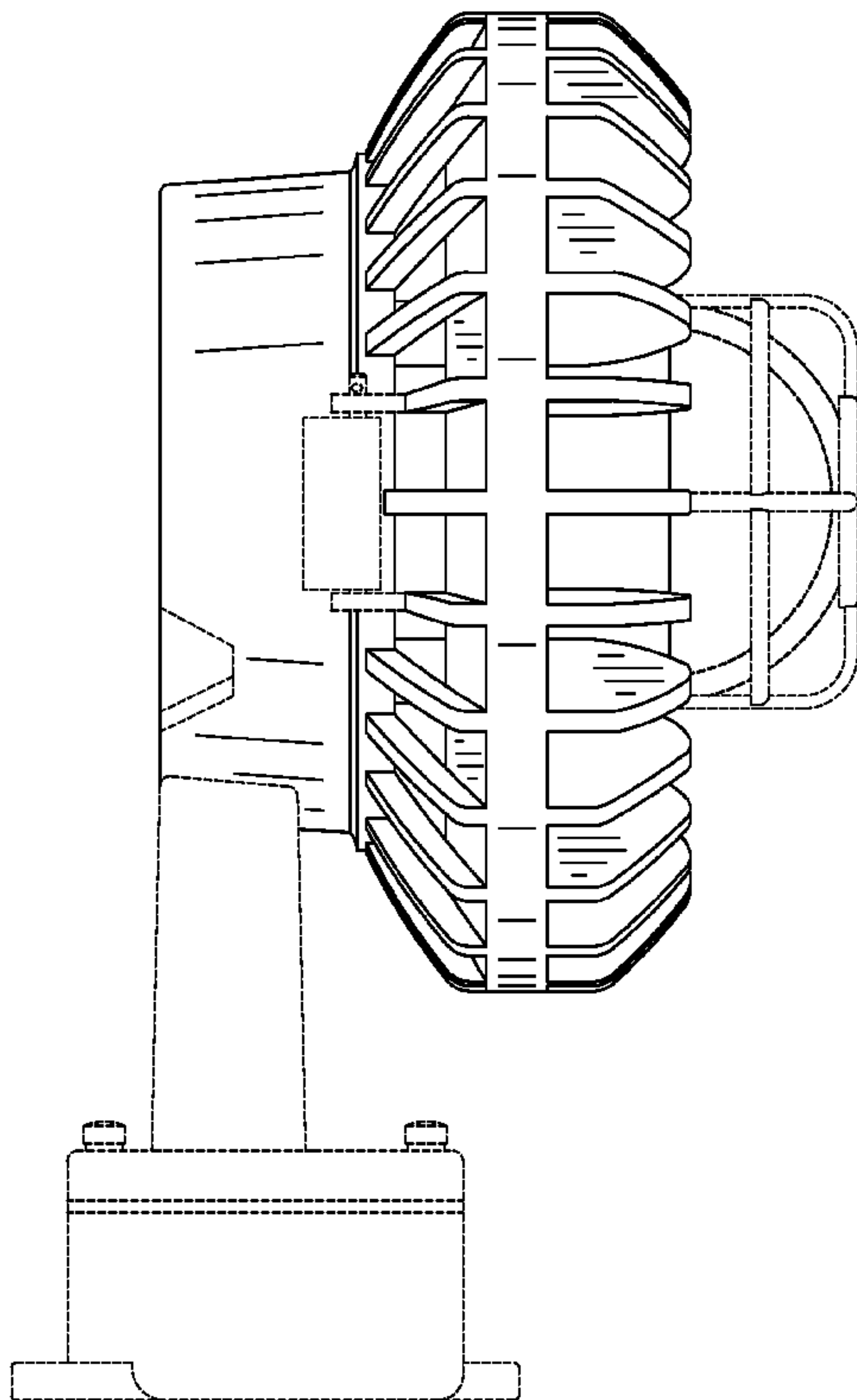
The ornamental design for an explosion proof LED light fixture, substantially as shown and described.

**DESCRIPTION**

FIG. 1 is a first bottom perspective view of an embodiment of the new design;  
FIG. 2 is a top perspective view of the embodiment;  
FIG. 3 is a bottom view of the embodiment;  
FIG. 4 is a top view of the embodiment;  
FIG. 5 is a left side view of the embodiment;  
FIG. 6 is a right side view of the embodiment;  
FIG. 7 is a front view of the embodiment;  
FIG. 8 is a rear view of the embodiment; and,  
FIG. 9 is a second bottom perspective view of the embodiment.

The design consists of the features of shape, ornament and configuration of the article shown in the drawings. The broken lines shown in the drawings are for the purposes of illustrating portions of the article that form no part of the claimed design.

**1 Claim, 9 Drawing Sheets**



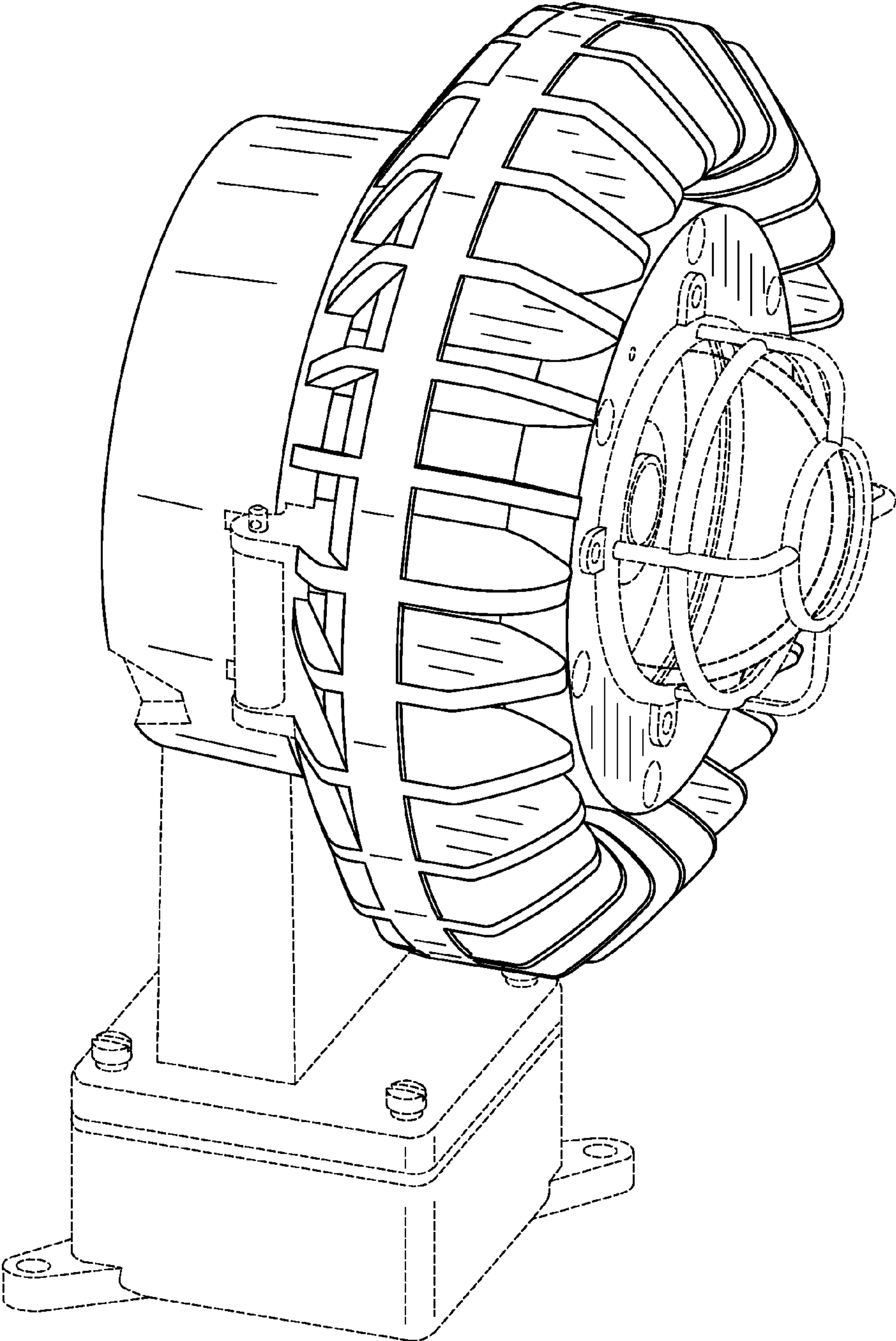


FIG. 1

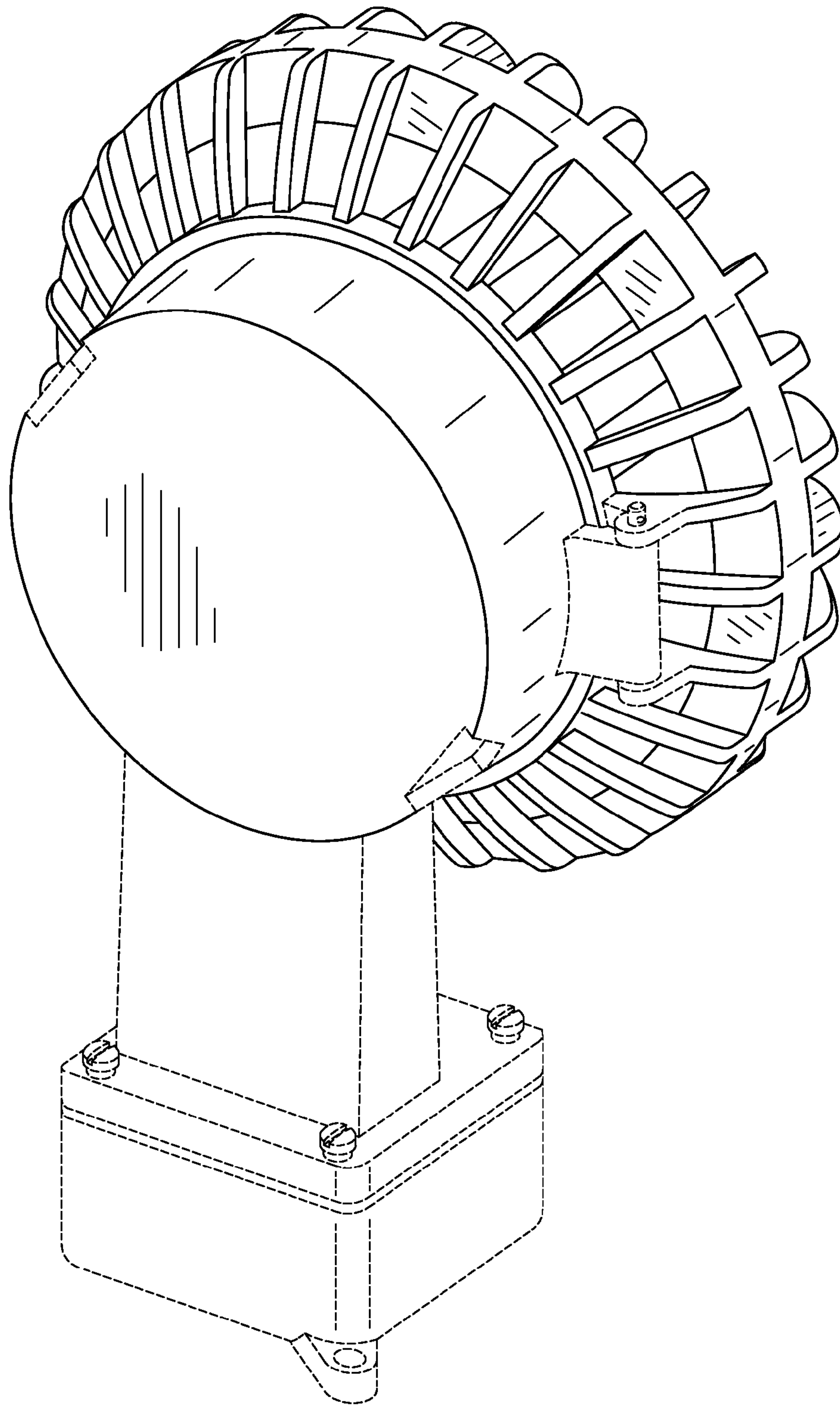


FIG. 2



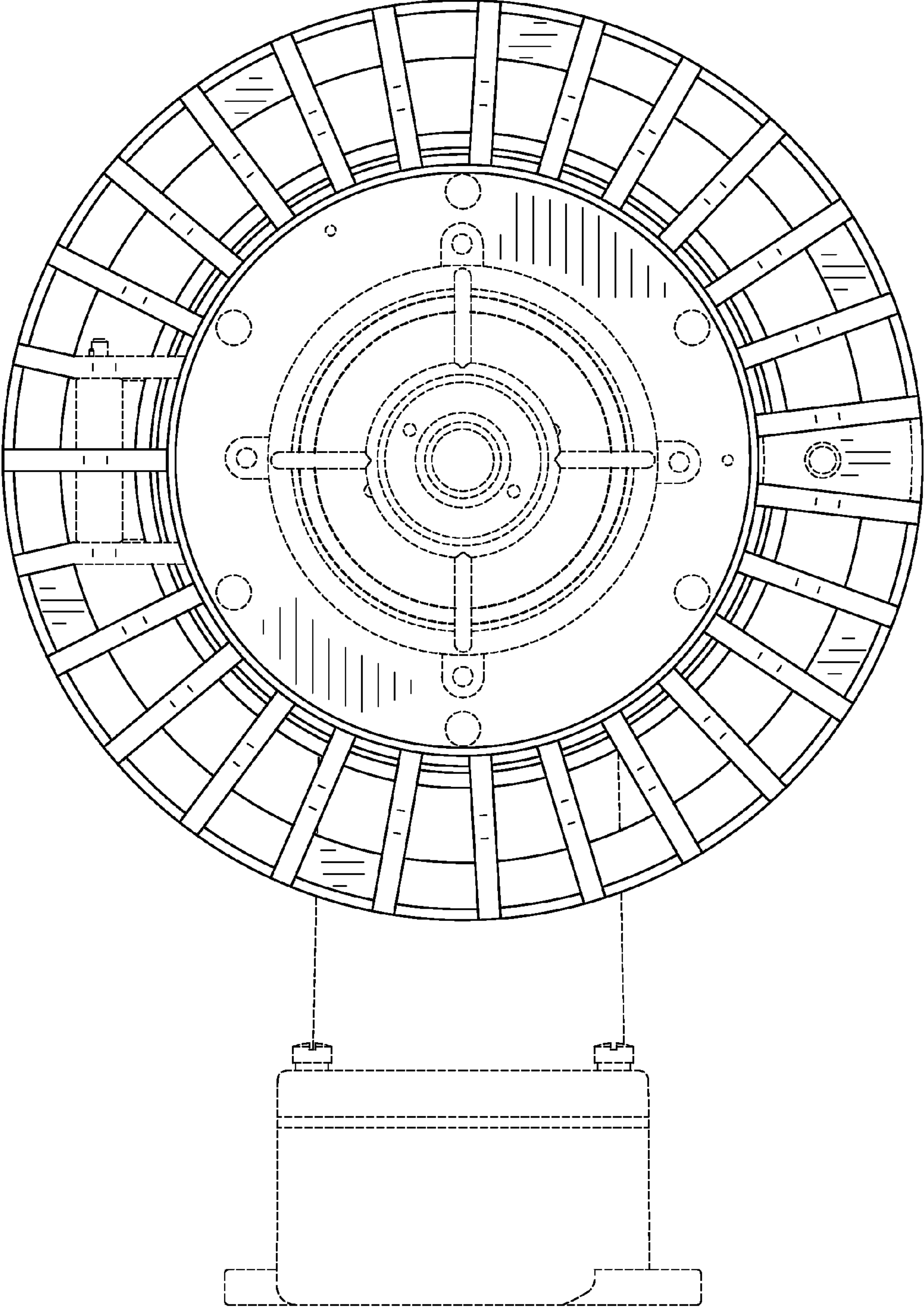


FIG. 3

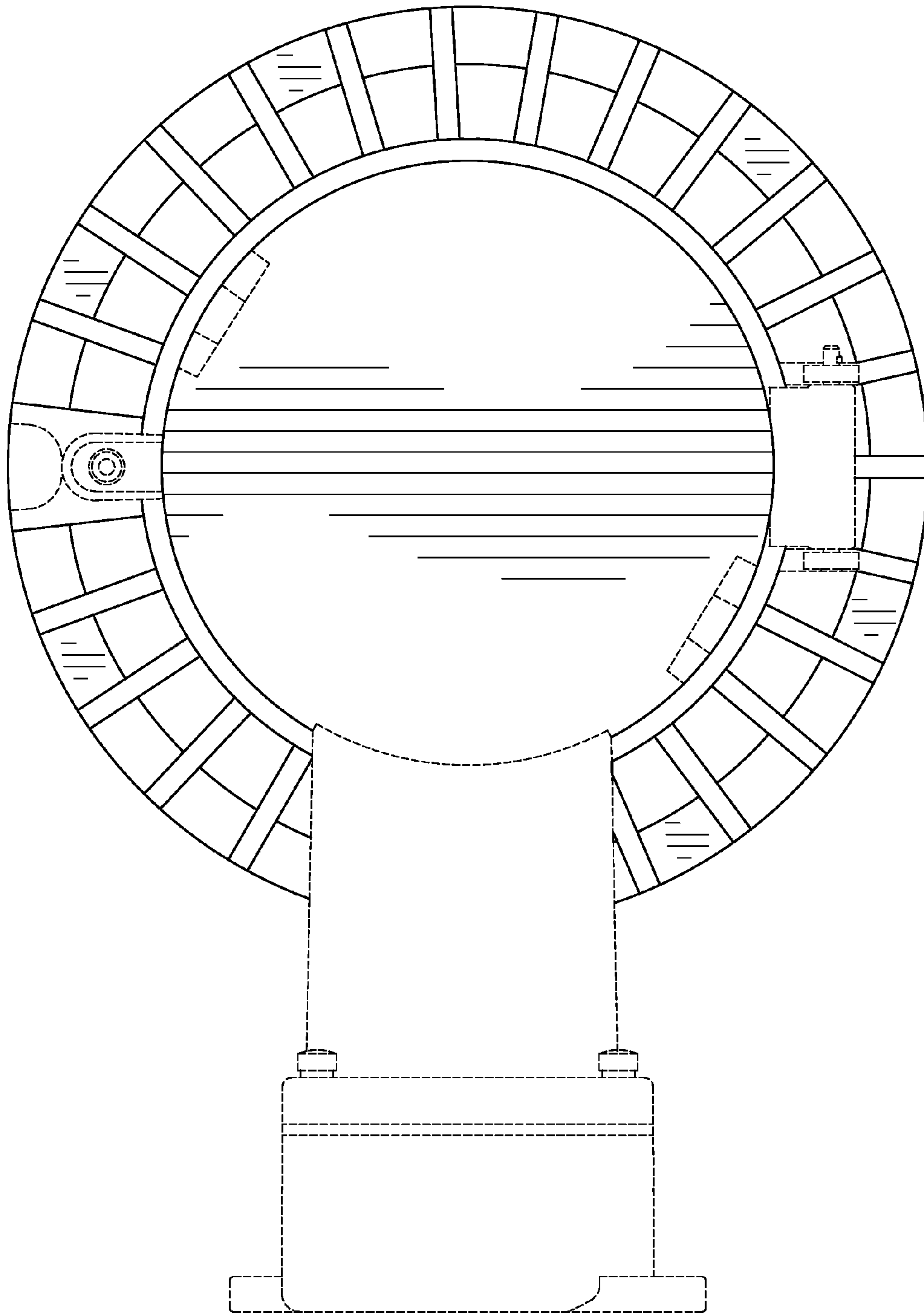


FIG. 4

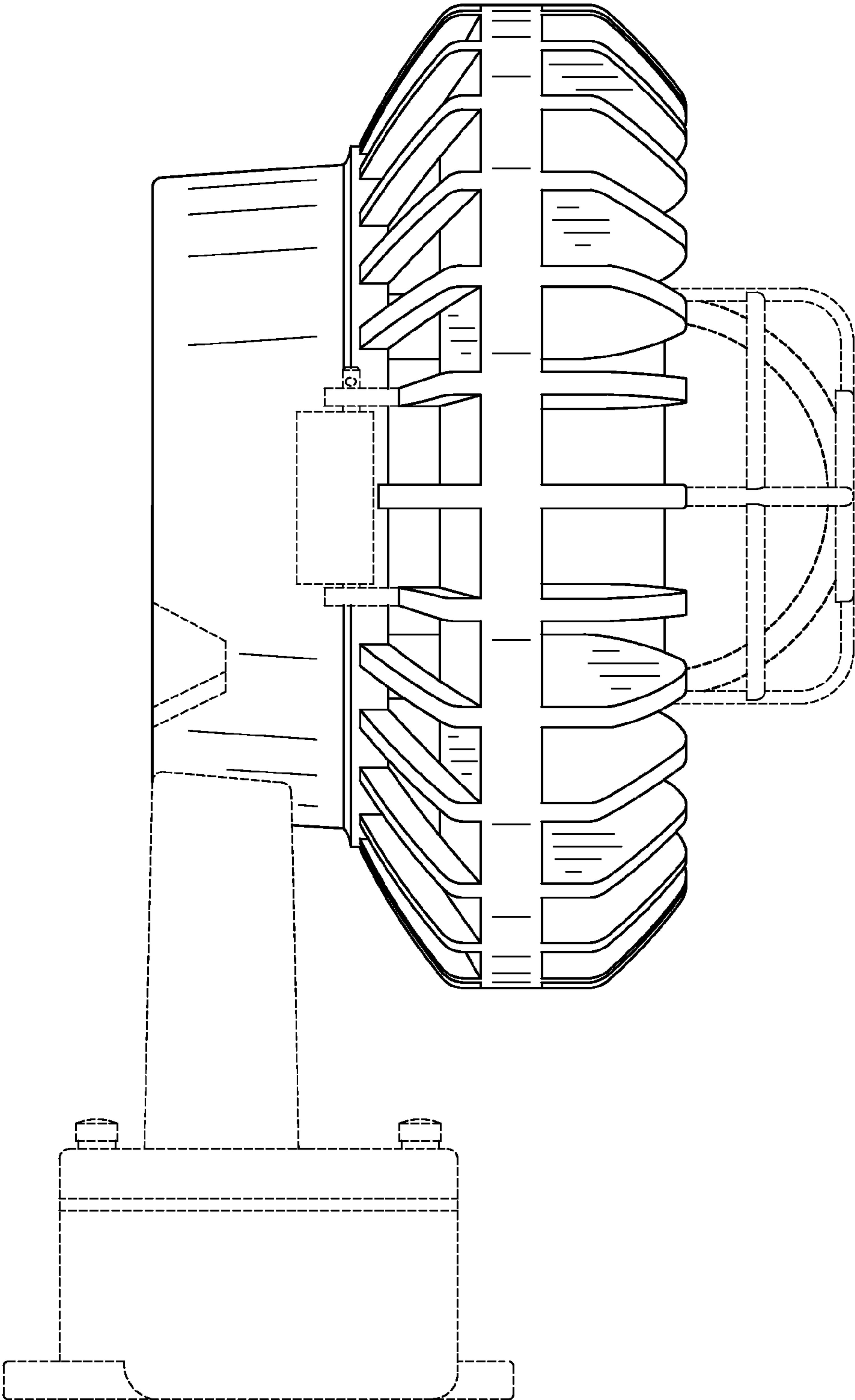


FIG. 5

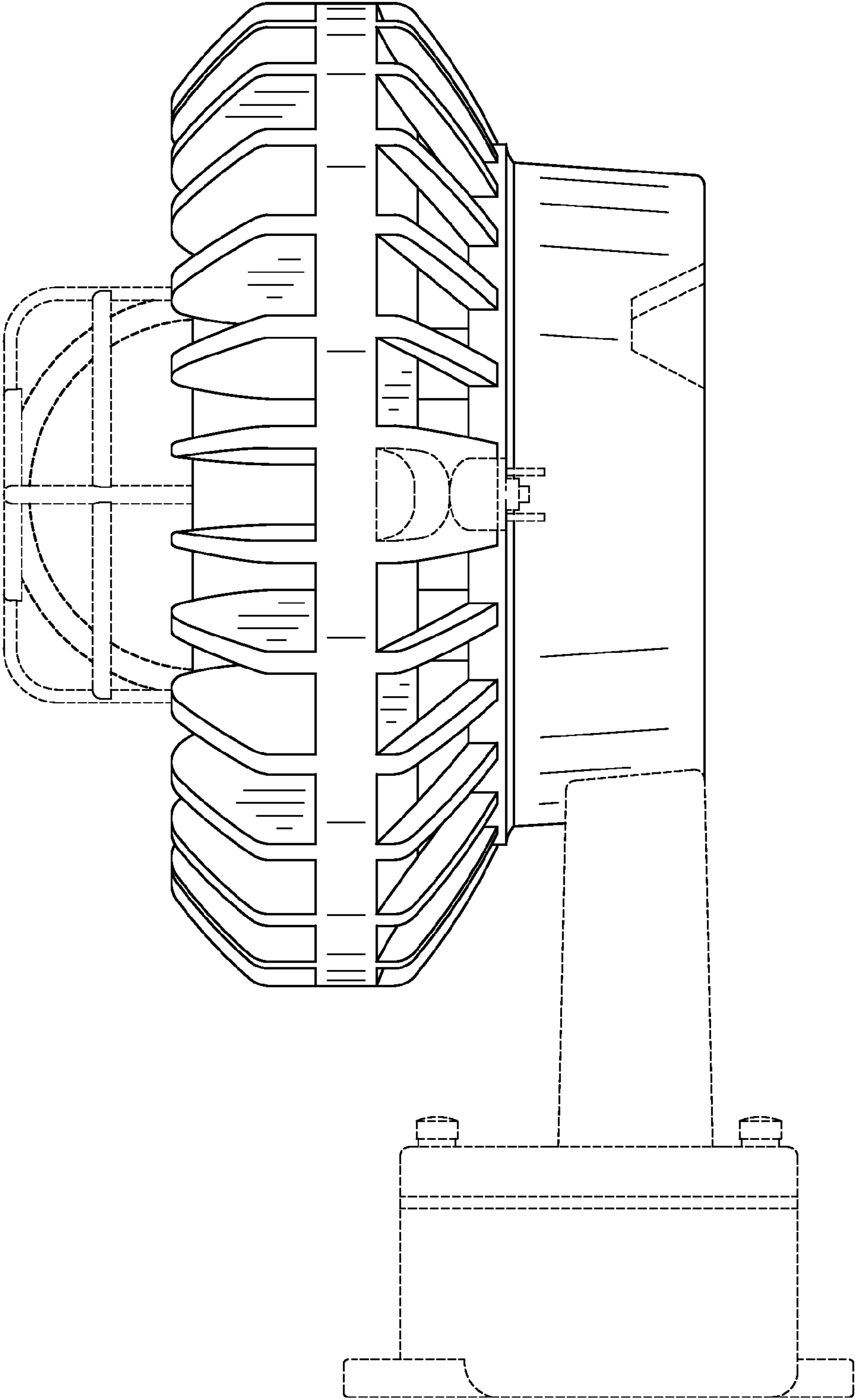


FIG. 6

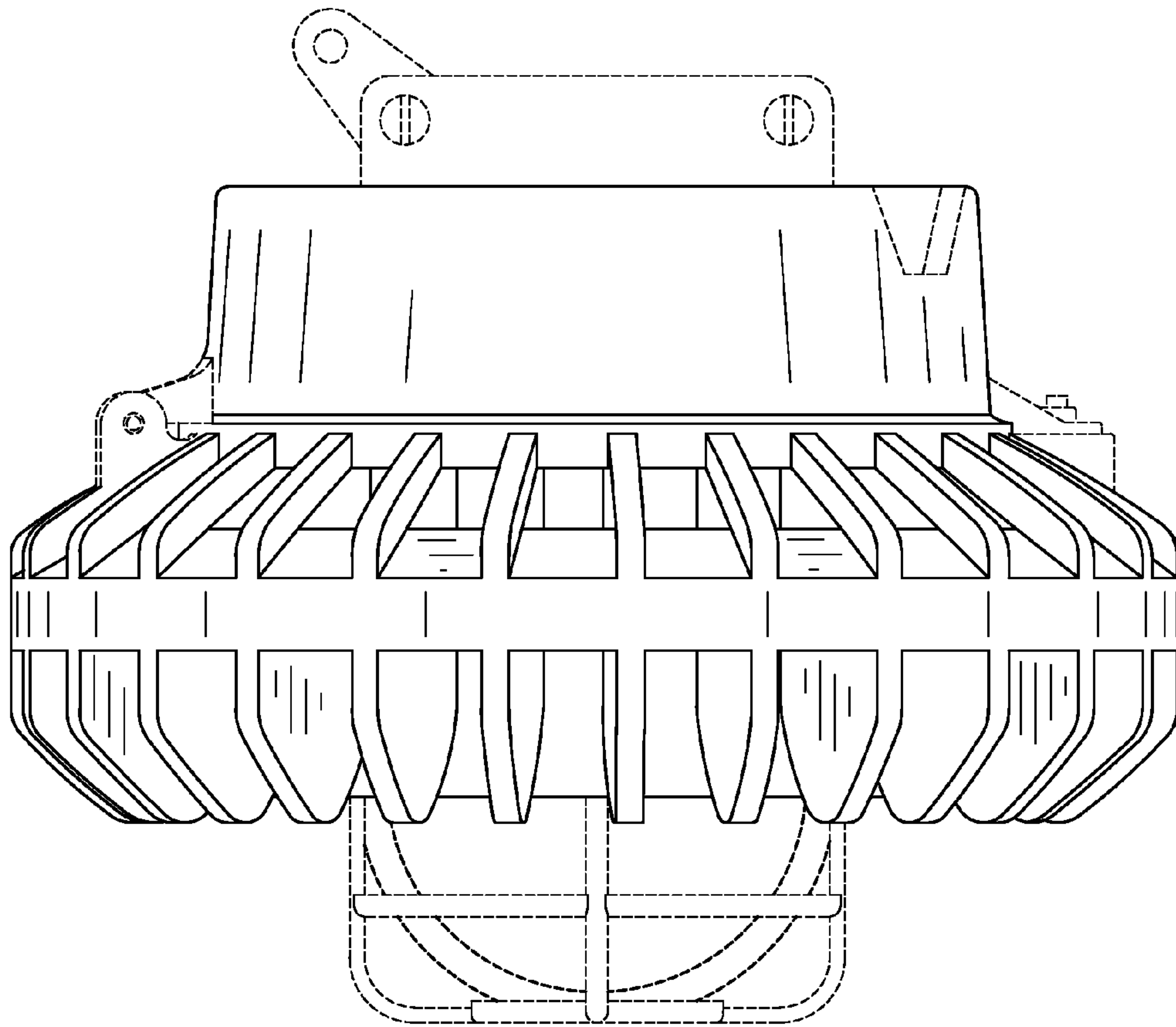


FIG. 7



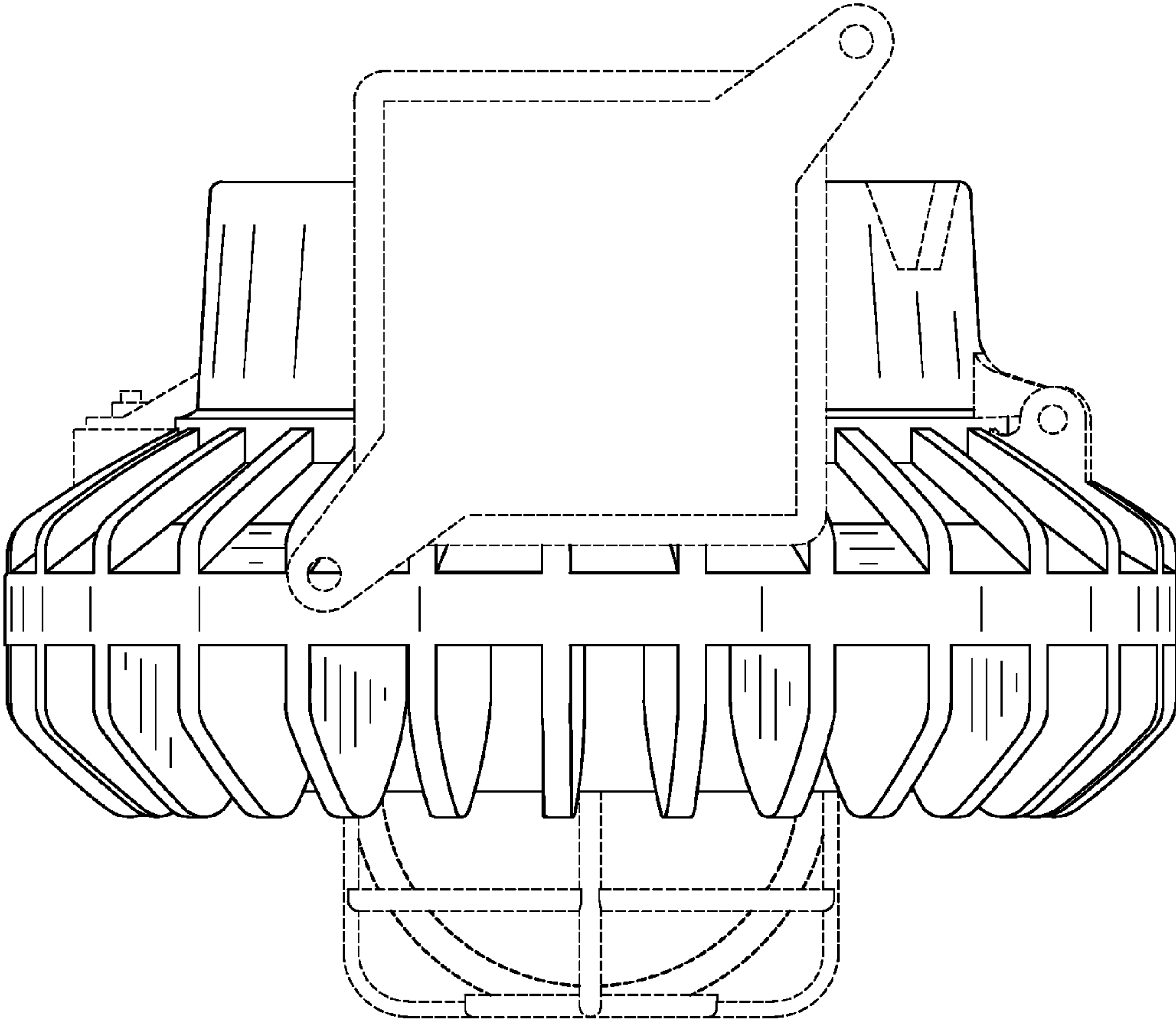


FIG. 8

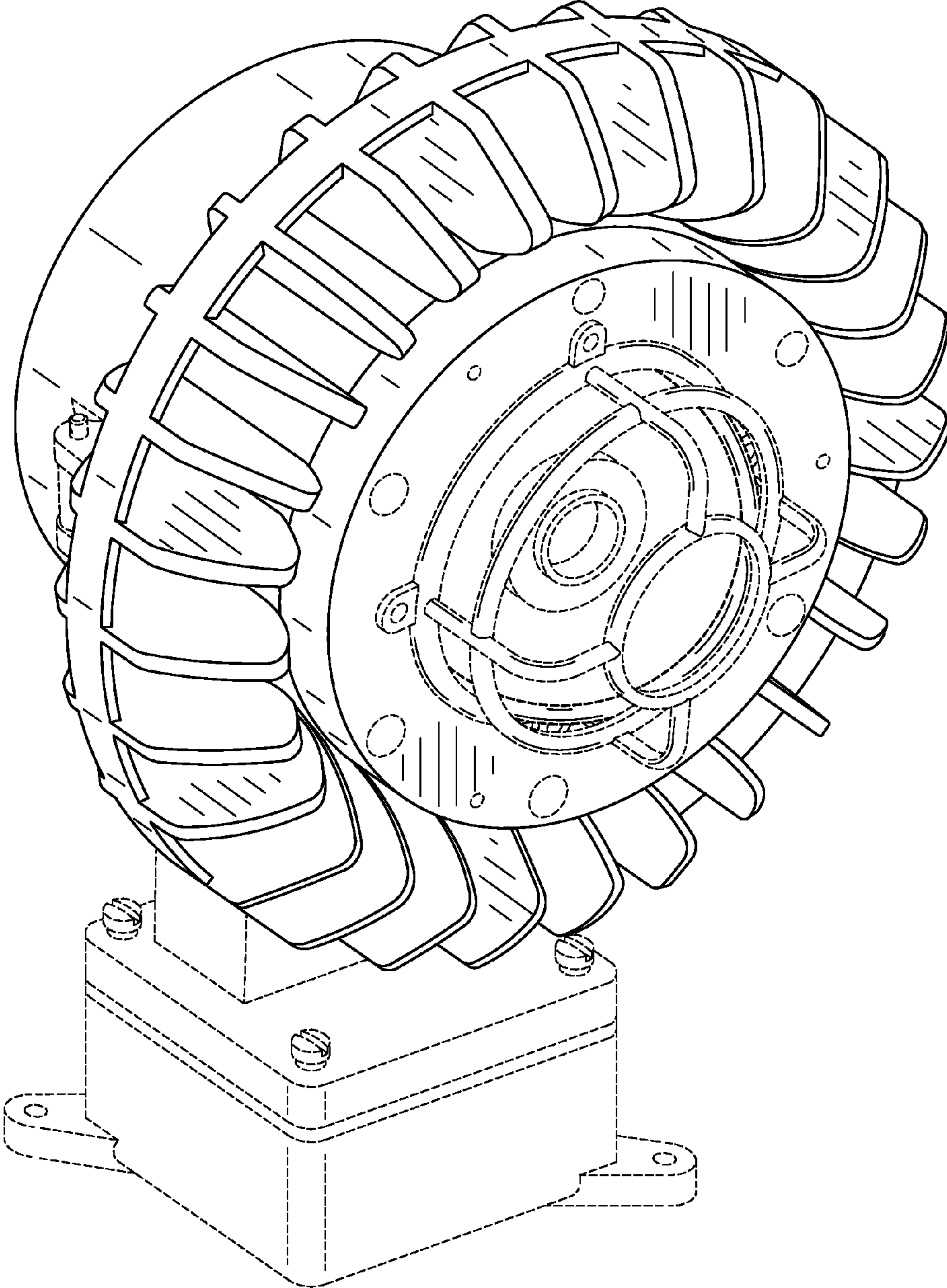


FIG. 9