



US00D690449S

(12) **United States Design Patent**  
**Yeh**

(10) **Patent No.:** **US D690,449 S**

(45) **Date of Patent:** **\*\* Sep. 24, 2013**

(54) **FLASHLIGHT**

(75) Inventor: **Hsueh-Chu Yeh**, Tainan (TW)

(73) Assignee: **Day Sun Industrial Corp.**, Tainan (TW)

(\*\*) Term: **14 Years**

(21) Appl. No.: **29/420,918**

(22) Filed: **May 15, 2012**

(51) **LOC (9) Cl.** ..... **26-02**

(52) **U.S. Cl.**  
USPC ..... **D26/46**

(58) **Field of Classification Search**  
USPC ..... D26/137, 138, 146, 148, 149; 362/157,  
362/158, 183, 184, 194–196, 202–208  
See application file for complete search history.

(56) **References Cited**

**U.S. PATENT DOCUMENTS**

D452,025 S *	12/2001	Poon	.....	D26/49
D496,116 S *	9/2004	Abernethy et al.	.....	D26/49
D546,491 S *	7/2007	Shiu	.....	D26/49
D546,492 S *	7/2007	Garrity	.....	D26/49
D557,836 S *	12/2007	Shiu	.....	D26/37
D576,757 S *	9/2008	Hesse et al.	.....	D26/49
D601,285 S *	9/2009	Chen	.....	D26/49

D603,988 S *	11/2009	Sharrah	.....	D26/49
D656,650 S *	3/2012	Yeh	.....	D26/46
D664,693 S *	7/2012	Yeh	.....	D26/46

\* cited by examiner

*Primary Examiner* — Ian Simmons

*Assistant Examiner* — Carissa C Fitts

(74) *Attorney, Agent, or Firm* — Alan Kamrath; Kamrath IP Lawfirm, P.A.

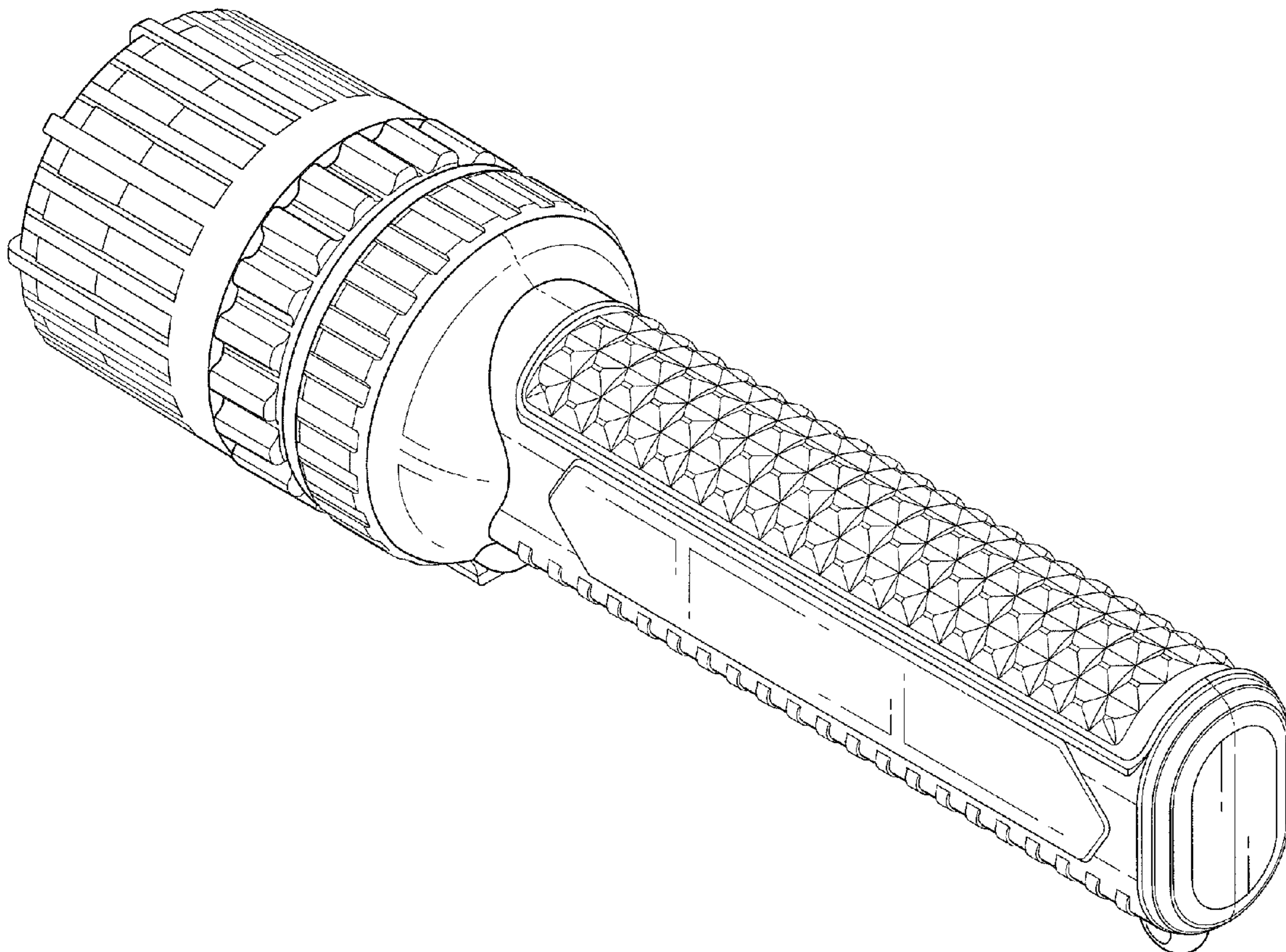
(57) **CLAIM**

The ornamental design for a flashlight, as shown and described.

**DESCRIPTION**

FIG. 1 is a perspective view of a flashlight showing my new design;  
FIG. 2 is a front side elevational view thereof;  
FIG. 3 is a rear side elevational view thereof;  
FIG. 4 is a left side elevational view thereof;  
FIG. 5 is a right side elevational view thereof;  
FIG. 6 is a top plan view thereof; and,  
FIG. 7 is a bottom plan view thereof.  
The broken line showing is for environmental purposes only and forms no part of the claimed design.

**1 Claim, 6 Drawing Sheets**



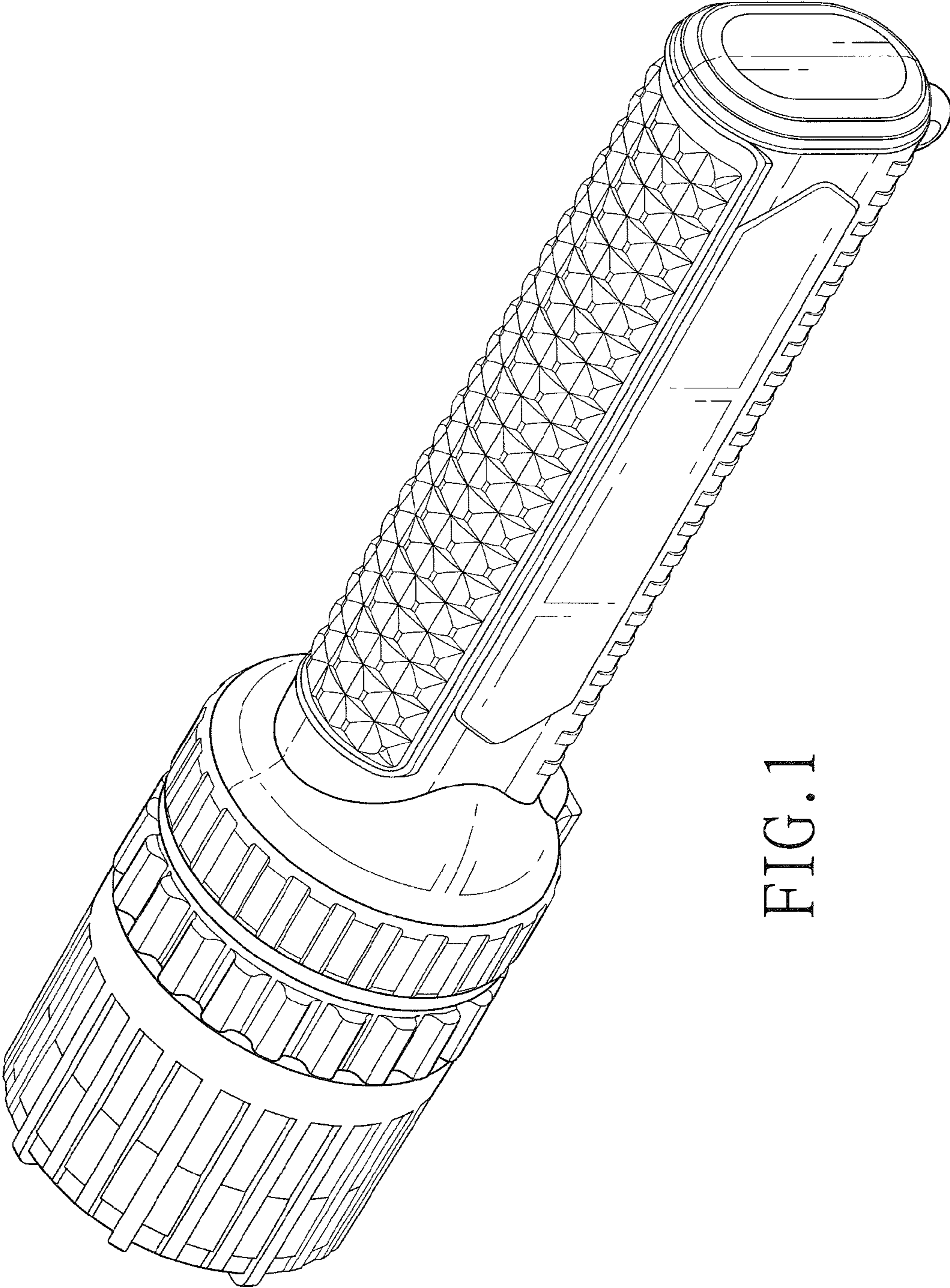


FIG. 1

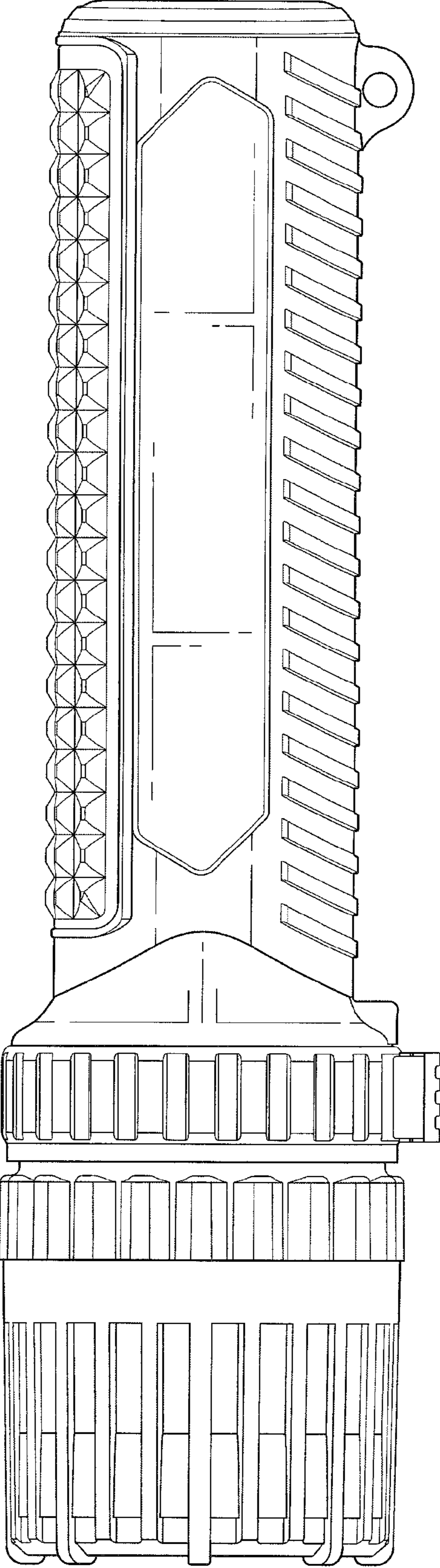


FIG. 2

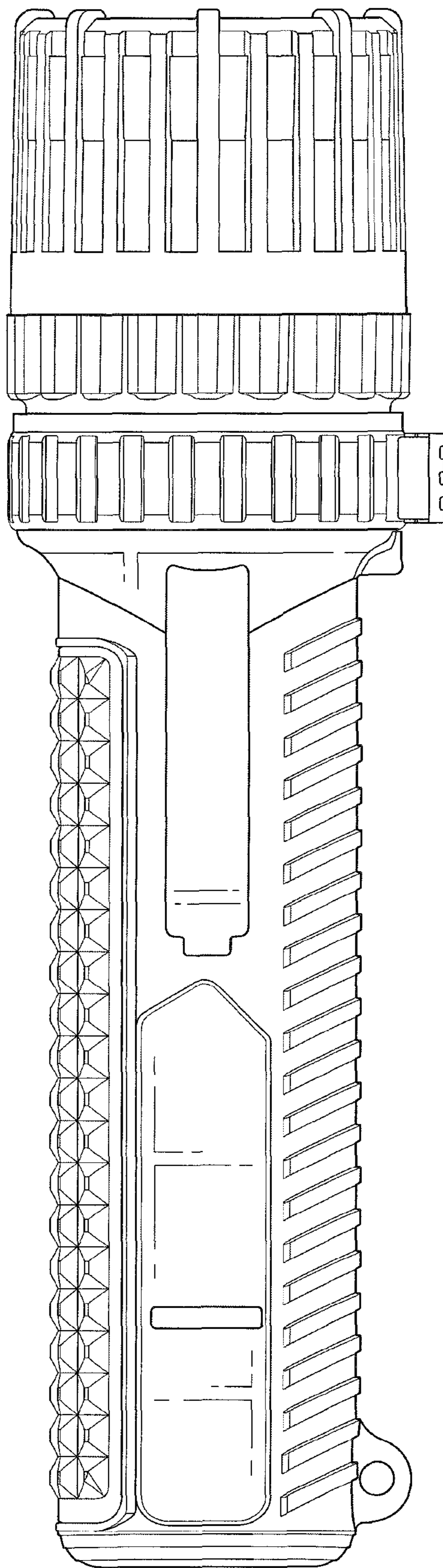


FIG. 3

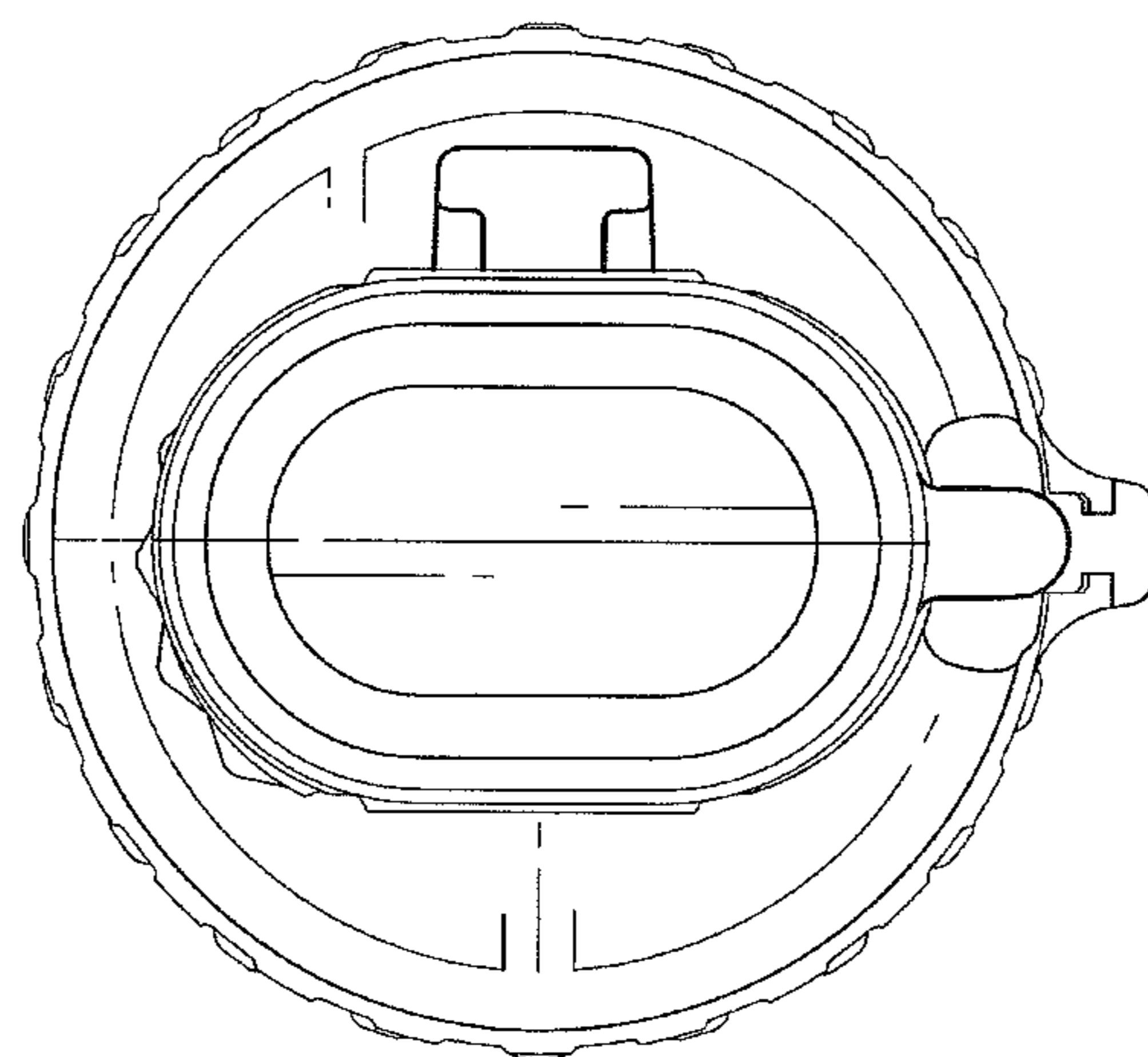


FIG. 5

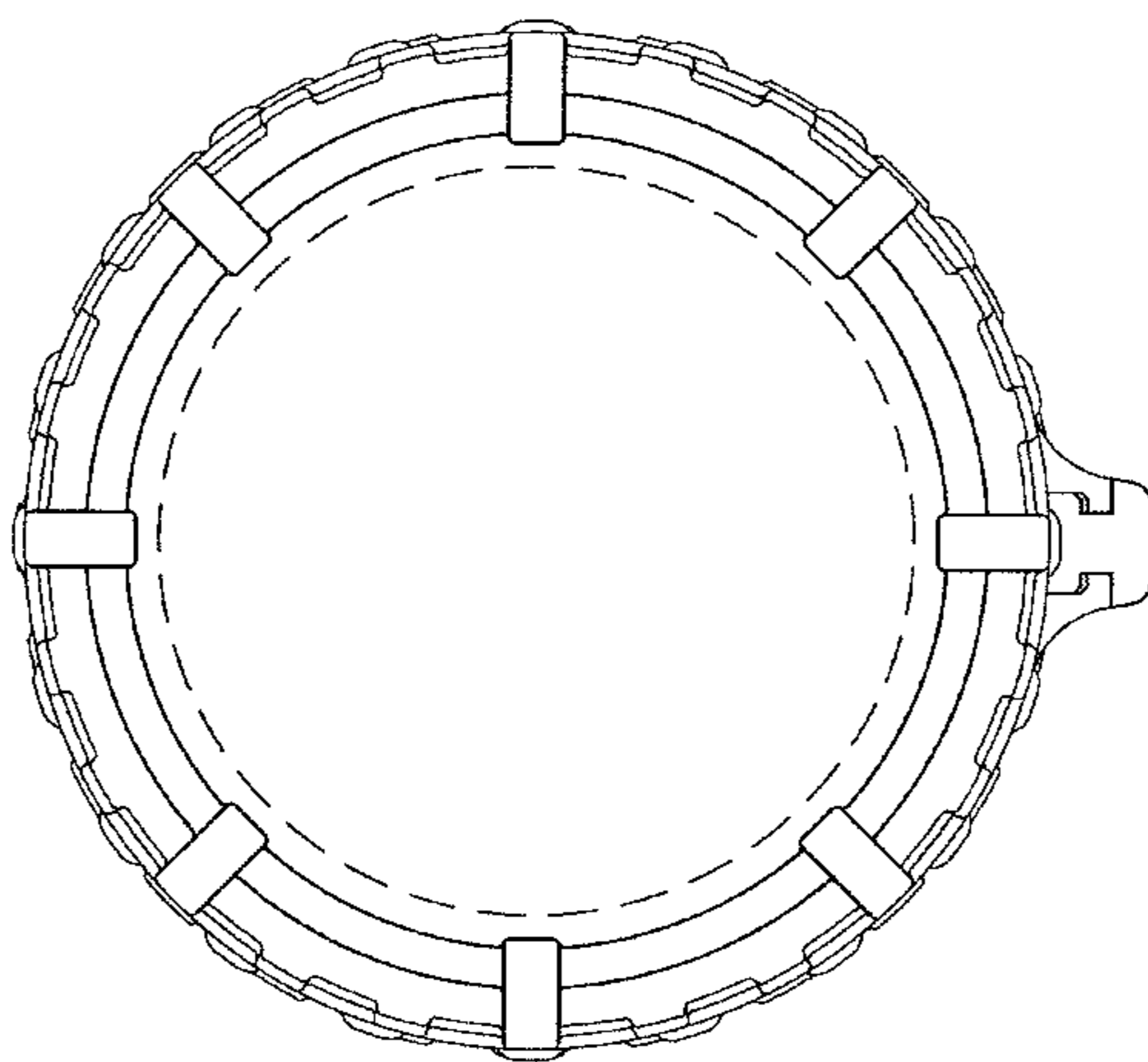


FIG. 4

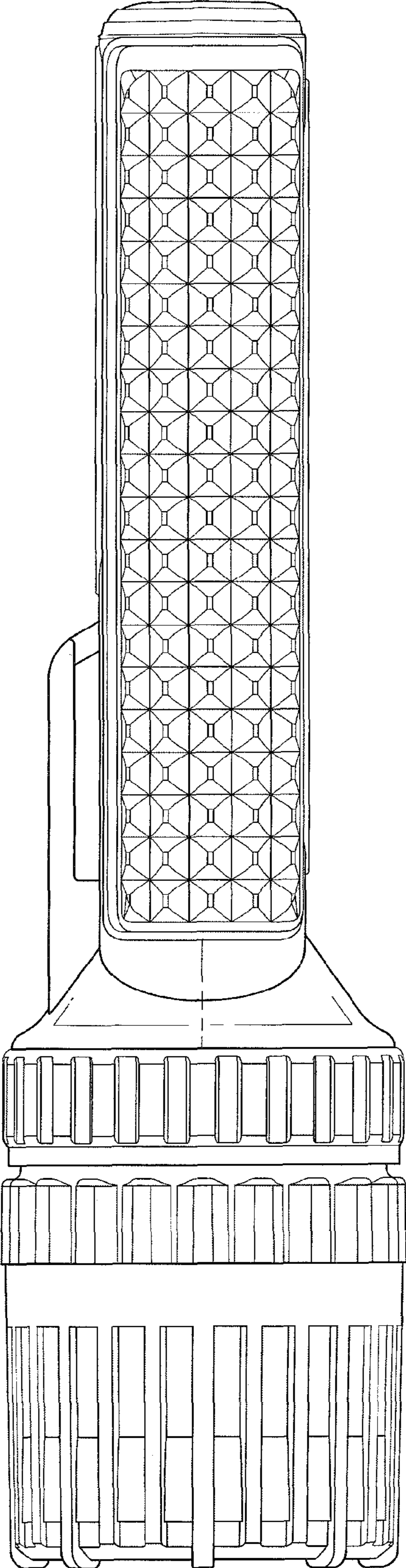


FIG. 6

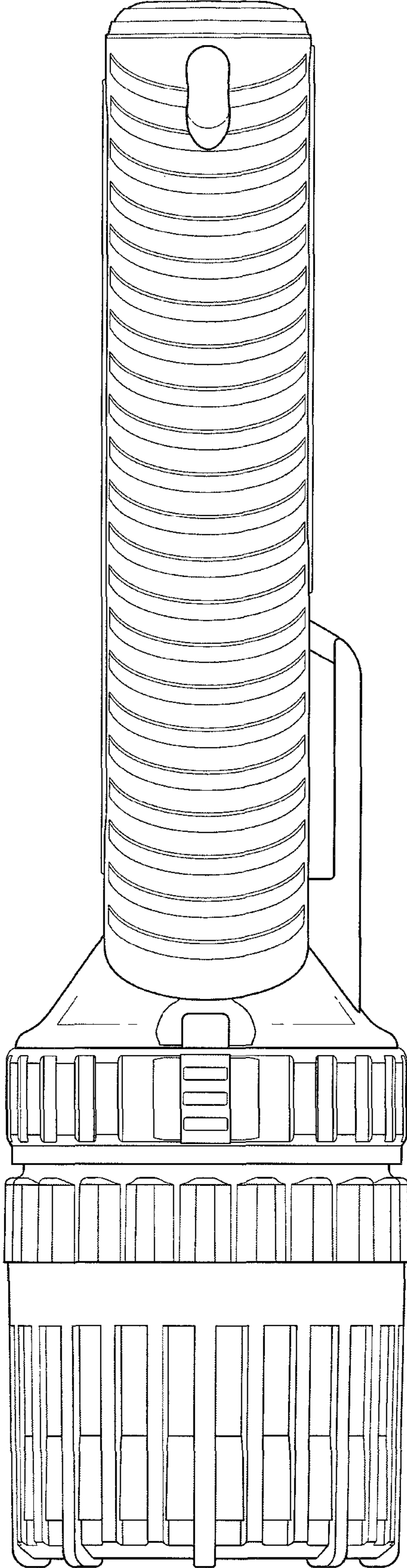


FIG. 7