

US00D690445S

(12) **United States Design Patent**
Su

(10) **Patent No.:** **US D690,445 S**

(45) **Date of Patent:** **** Sep. 24, 2013**

(54) **LIGHT EMITTING DIODE LAMP**

(56) **References Cited**

(75) Inventor: **Ching-Yu Su**, New Taipei (TW)

U.S. PATENT DOCUMENTS

(73) Assignees: **Cal-Comp Electronics & Communications Company Limited**,
New Taipei (TW); **Kinpo Electronics, Inc.**, New Taipei (TW)

D497,439	S	*	10/2004	Shaw et al.	D26/2
D516,229	S	*	2/2006	Tang	D26/2
D527,119	S	*	8/2006	Maxik et al.	D26/2
D532,532	S	*	11/2006	Maxik	D26/2
D545,457	S	*	6/2007	Chen	D26/2
D551,784	S	*	9/2007	Krieglmeyer et al.	D26/2
D581,554	S	*	11/2008	To et al.	D26/2
D629,927	S	*	12/2010	Chen et al.	D26/2

(**) Term: **14 Years**

* cited by examiner

(21) Appl. No.: **29/411,395**

Primary Examiner — Marcus Jackson

(22) Filed: **Jan. 19, 2012**

(74) *Attorney, Agent, or Firm* — Jianq Chyun IP Office

(30) **Foreign Application Priority Data**

(57) **CLAIM**

The ornamental design for a light emitting diode lamp, as shown and described.

Aug. 11, 2011 (EP) 001289193

(51) **LOC (9) Cl.** **26-04**

(52) **U.S. Cl.**
USPC **D26/2**

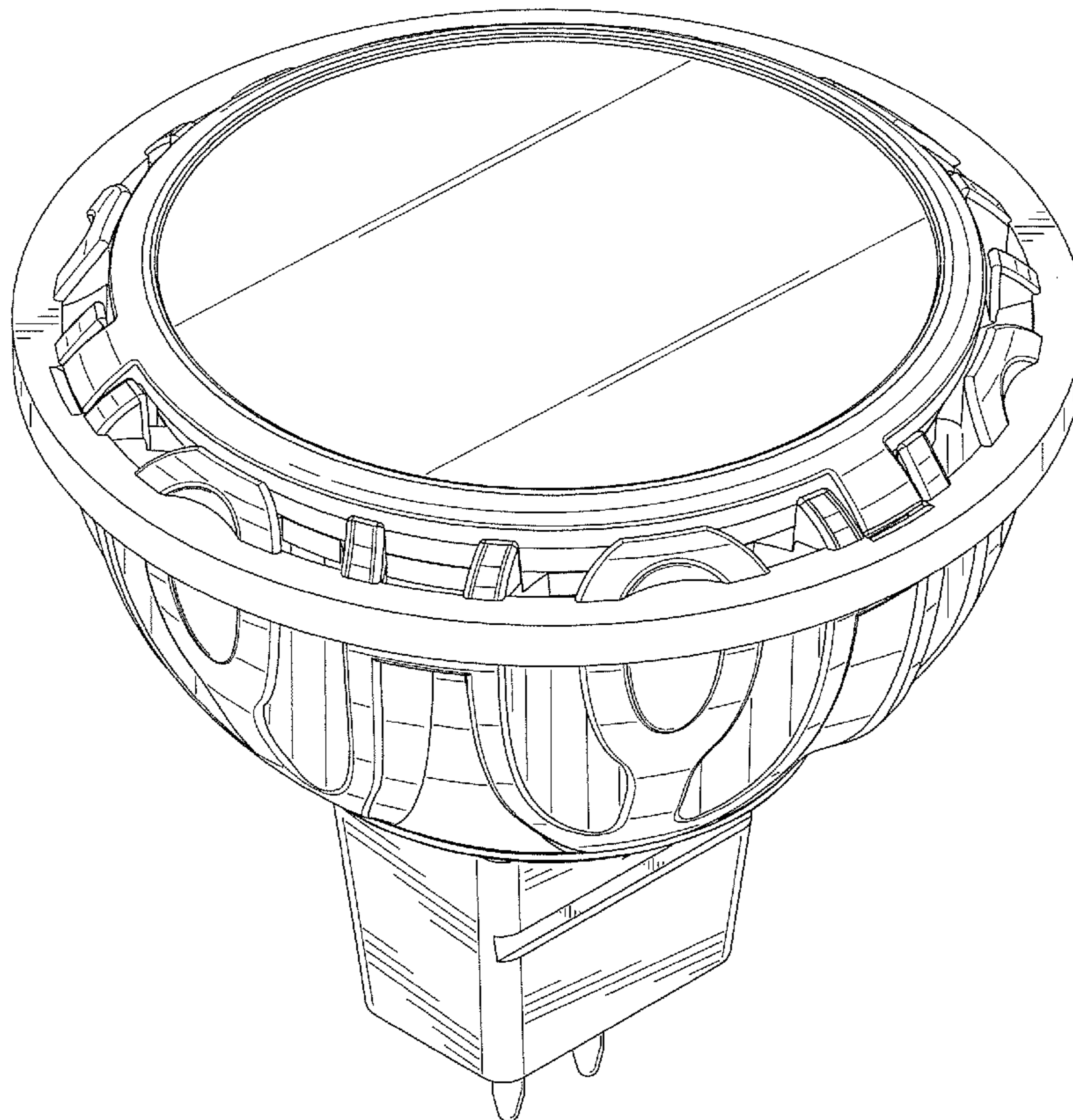
(58) **Field of Classification Search**
USPC D26/1-4; 313/313, 315, 316, 317,
313/318, 493; 315/52, 53, 56, 57, 58

See application file for complete search history.

DESCRIPTION

FIG. 1 is a perspective view of a lighting emitting diode lamp showing an embodiment of our new design;
FIG. 2 is a front view thereof;
FIG. 3 is a rear view thereof;
FIG. 4 is a left side view thereof;
FIG. 5 is a right side view thereof;
FIG. 6 is a top view thereof; and,
FIG. 7 is a bottom view thereof.

1 Claim, 7 Drawing Sheets



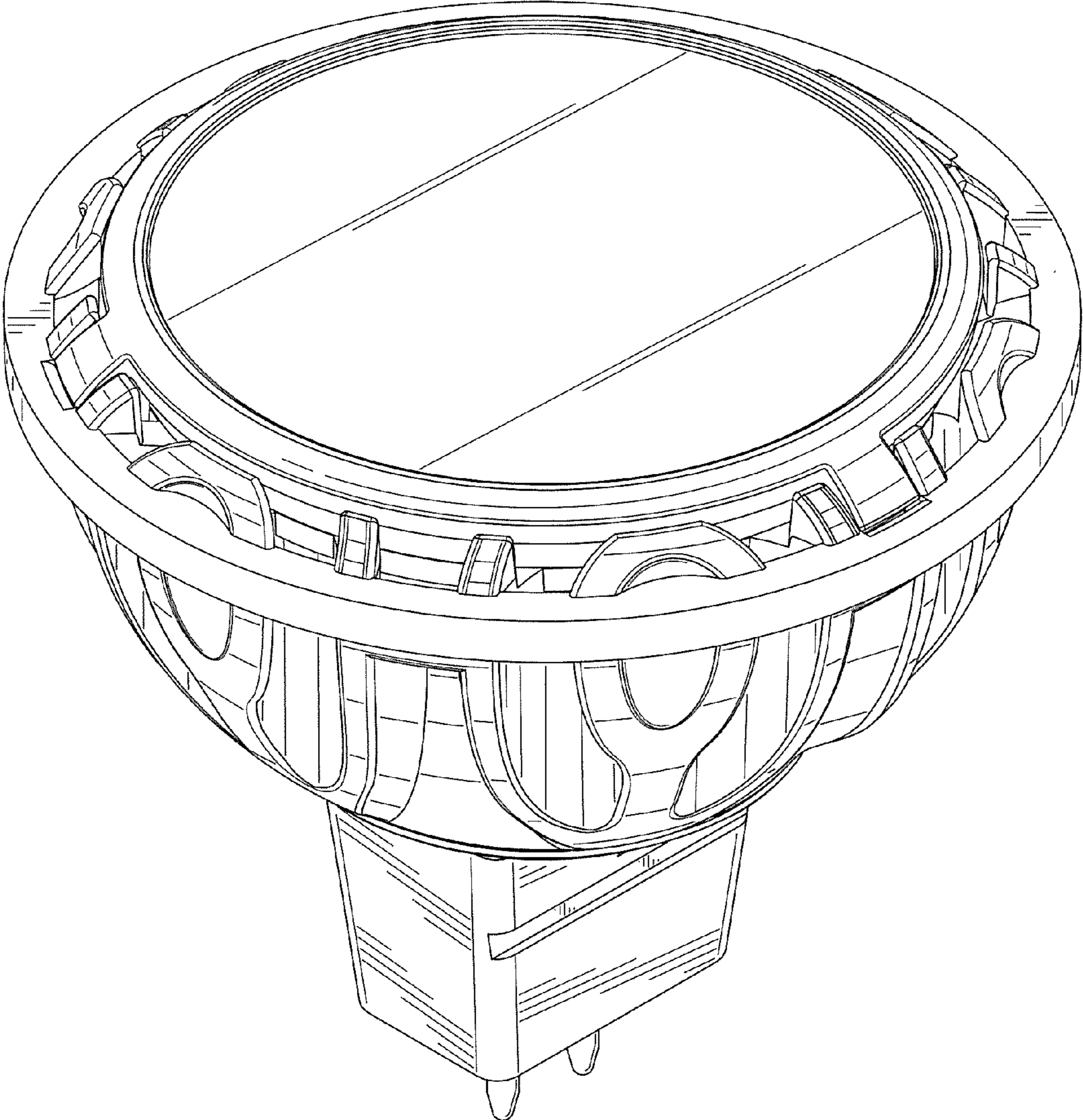


FIG. 1

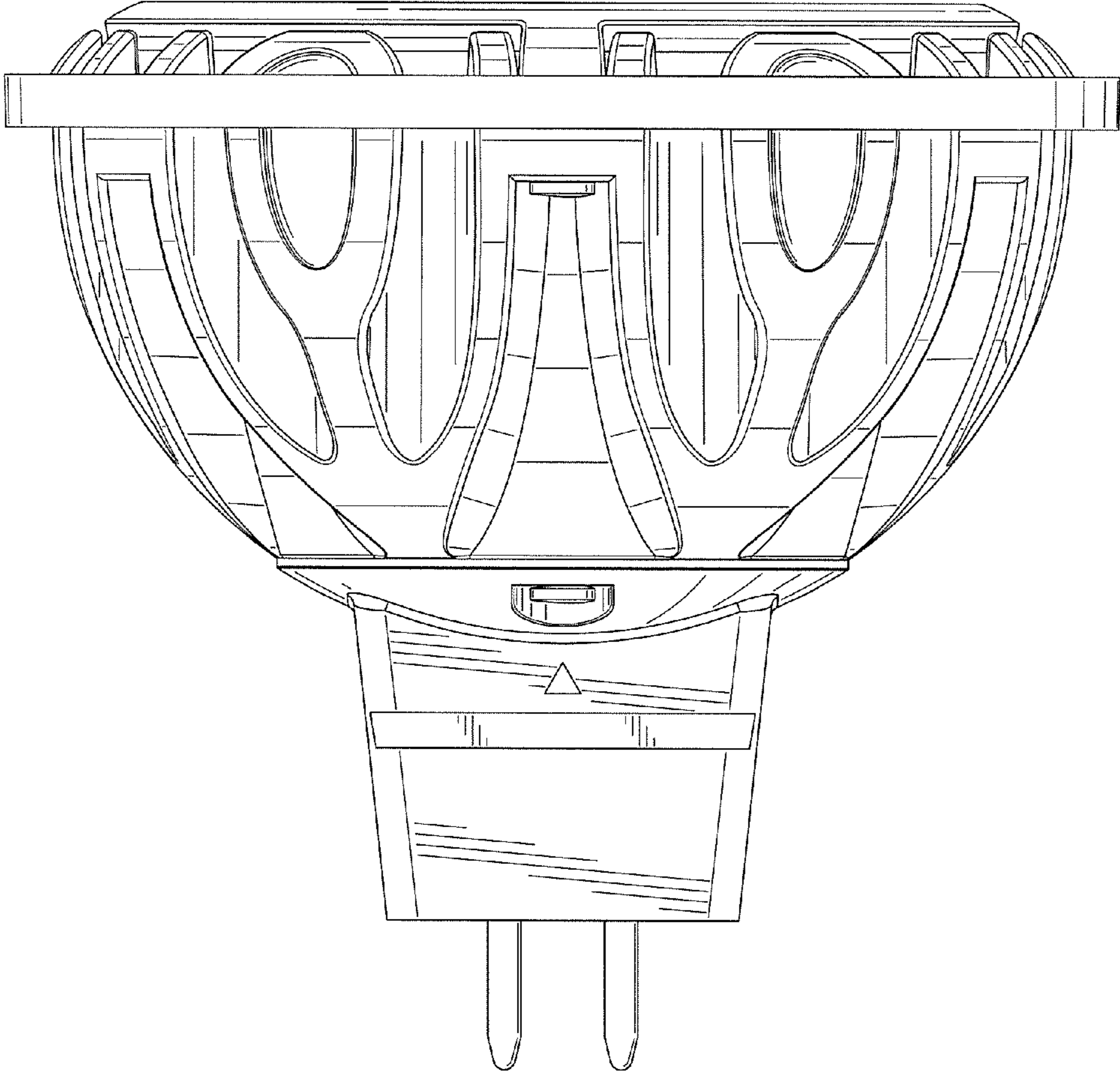


FIG. 2

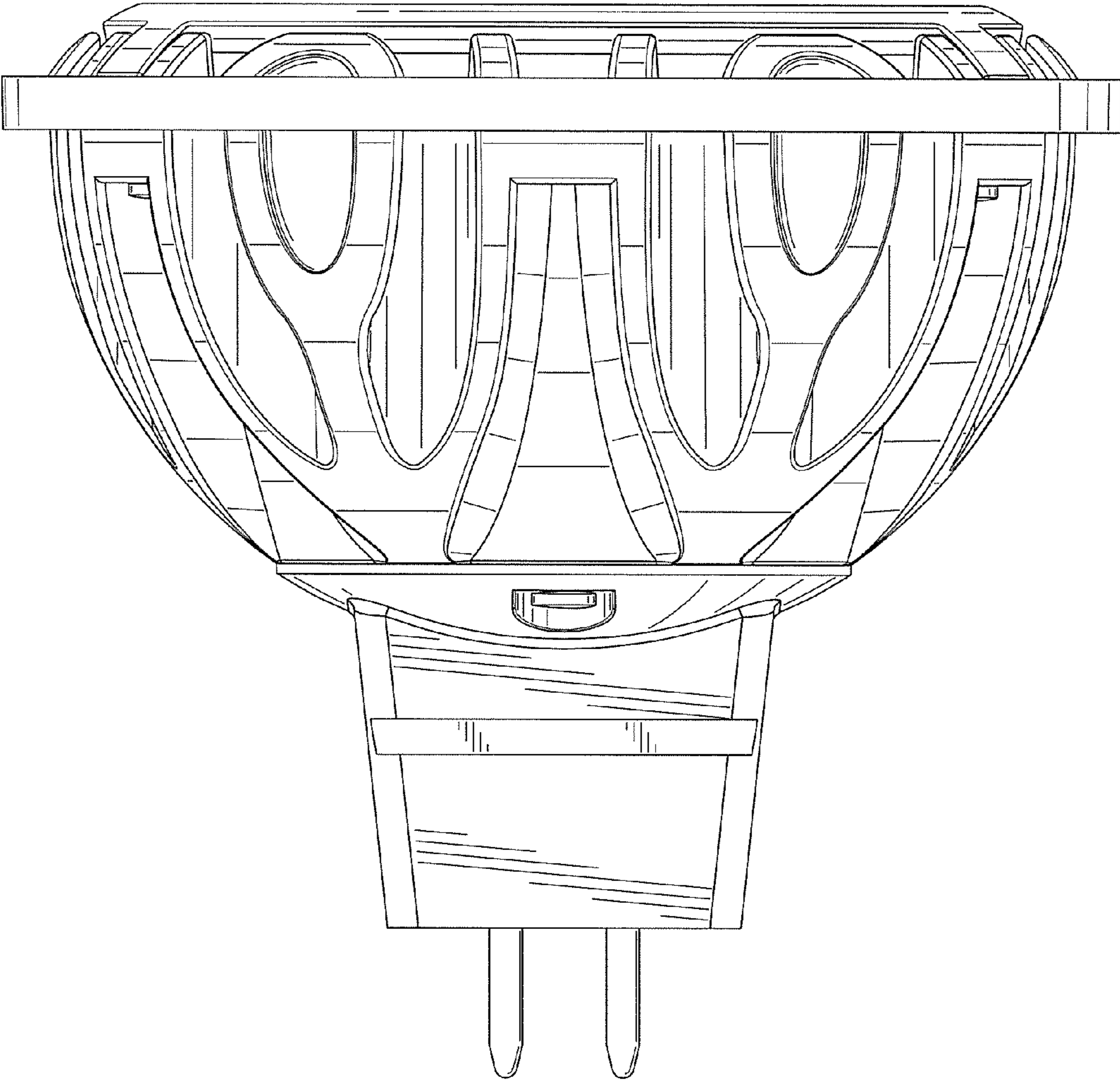


FIG. 3

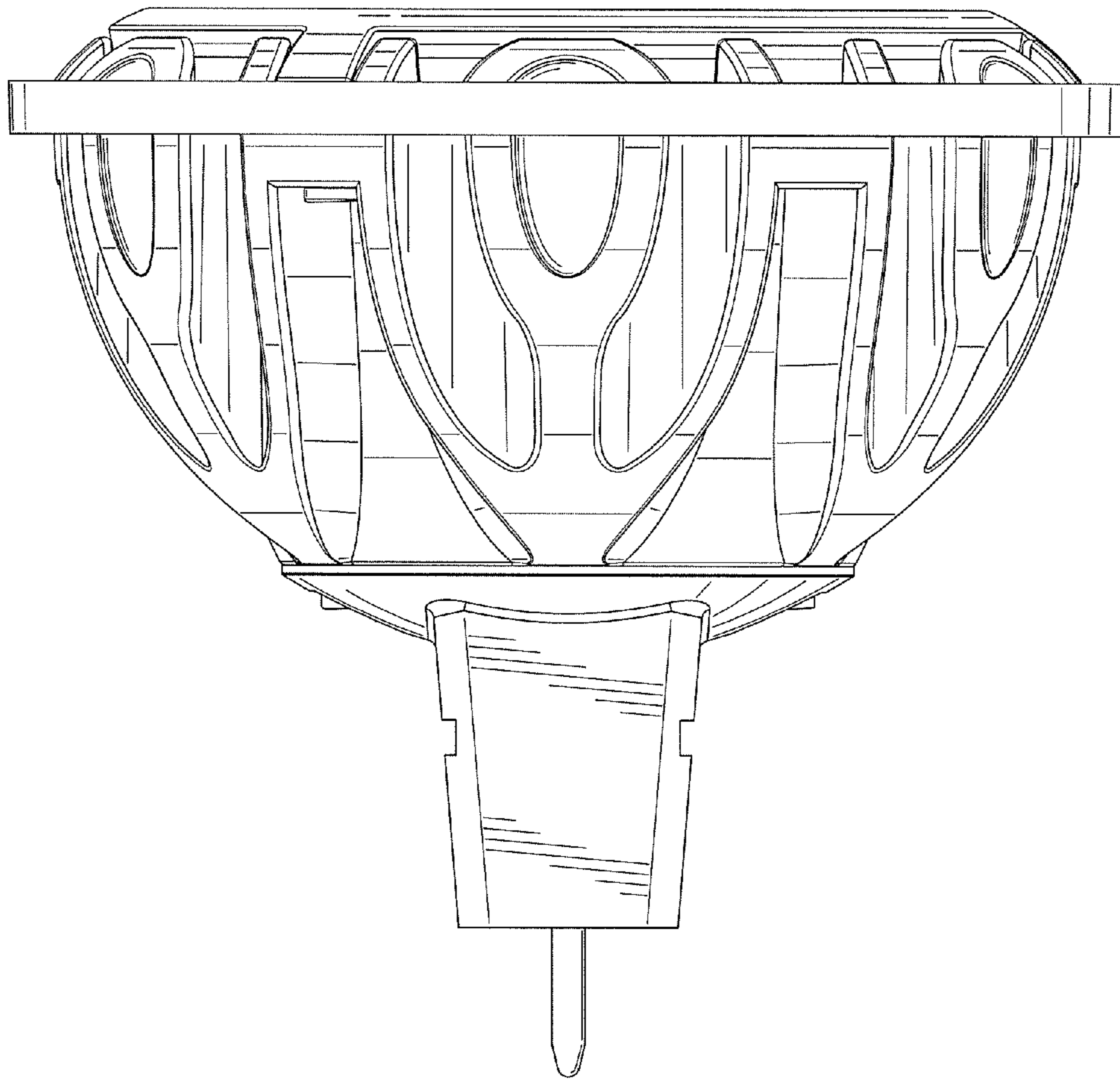


FIG. 4

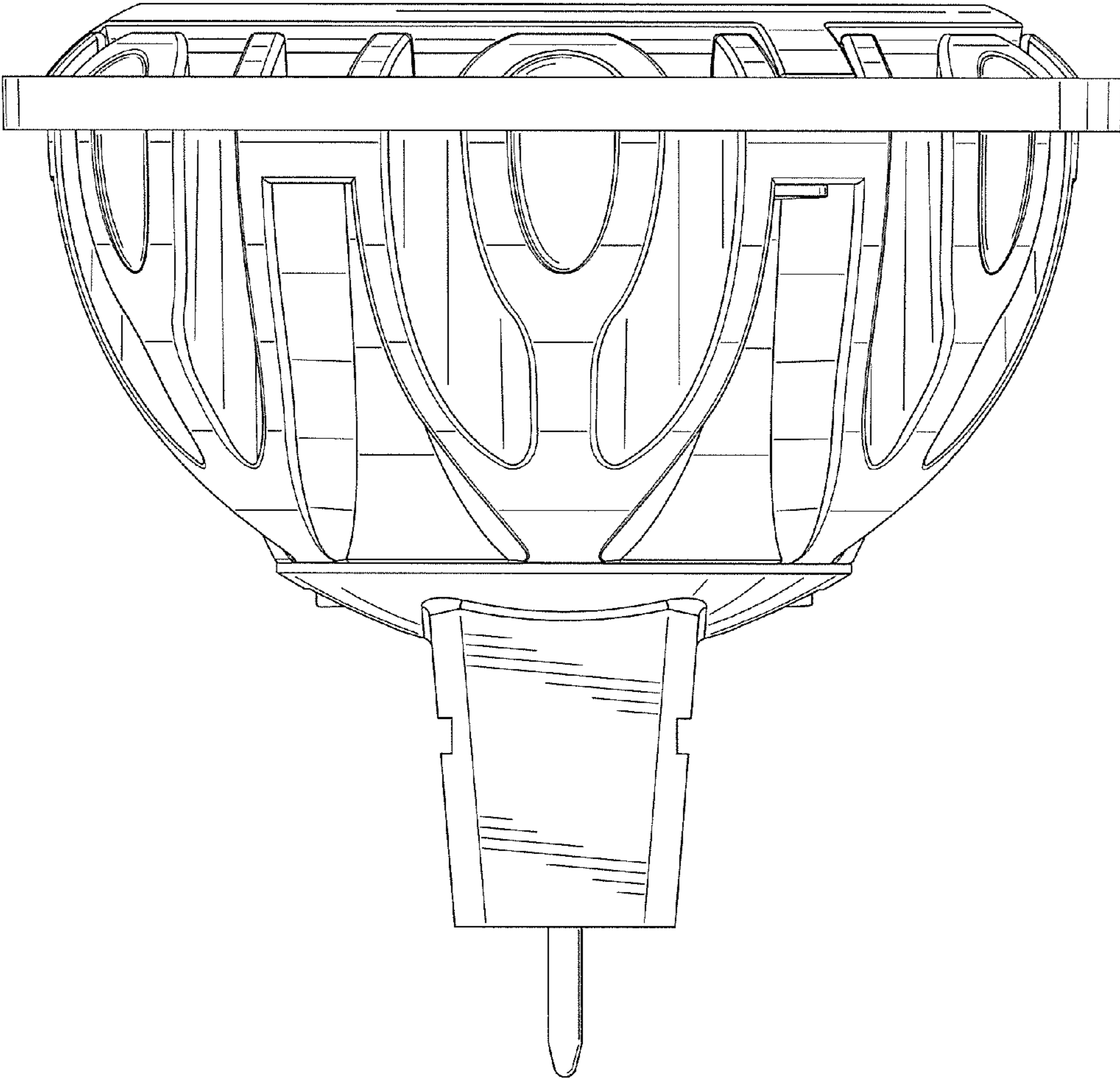


FIG. 5

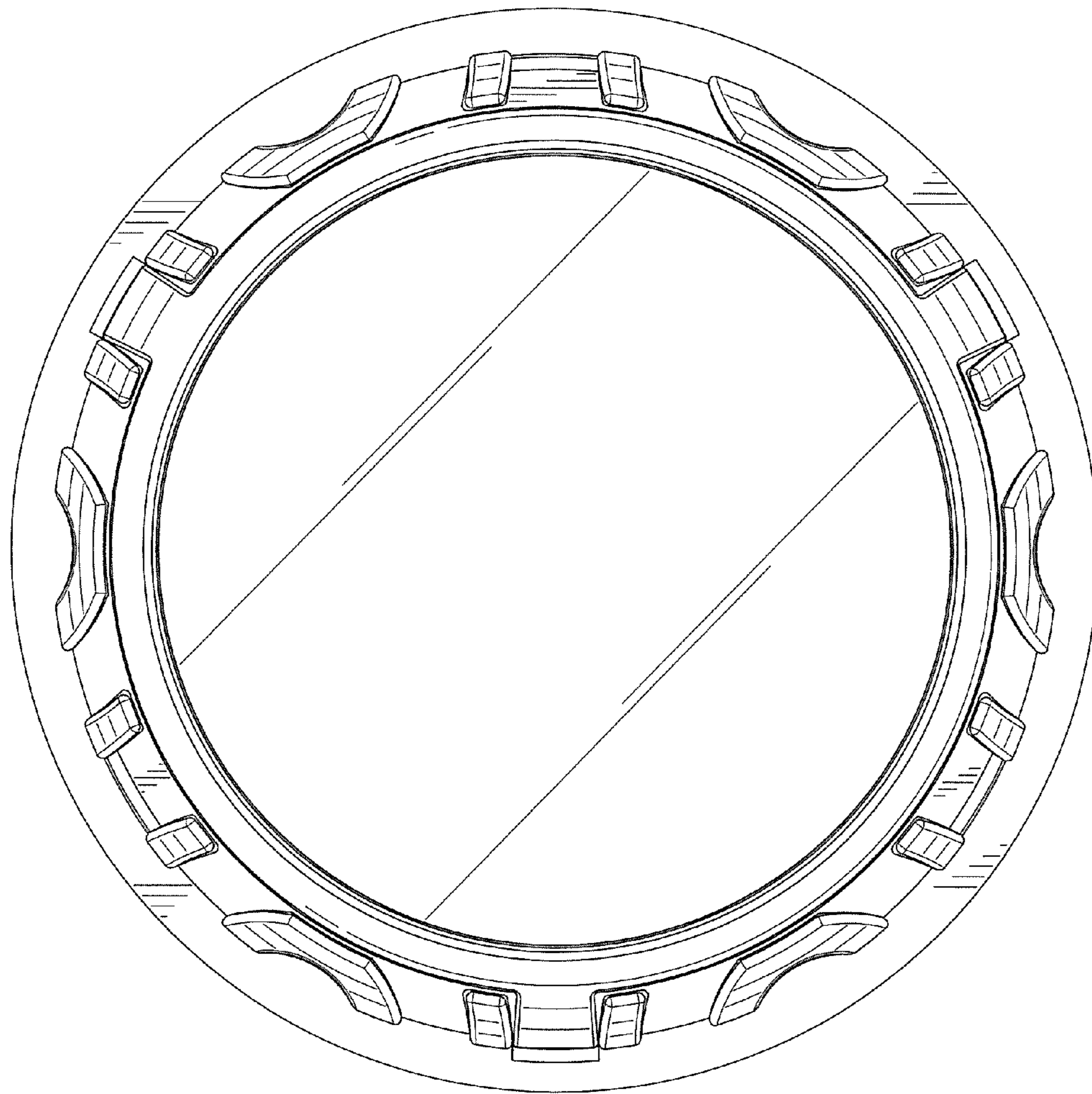


FIG. 6

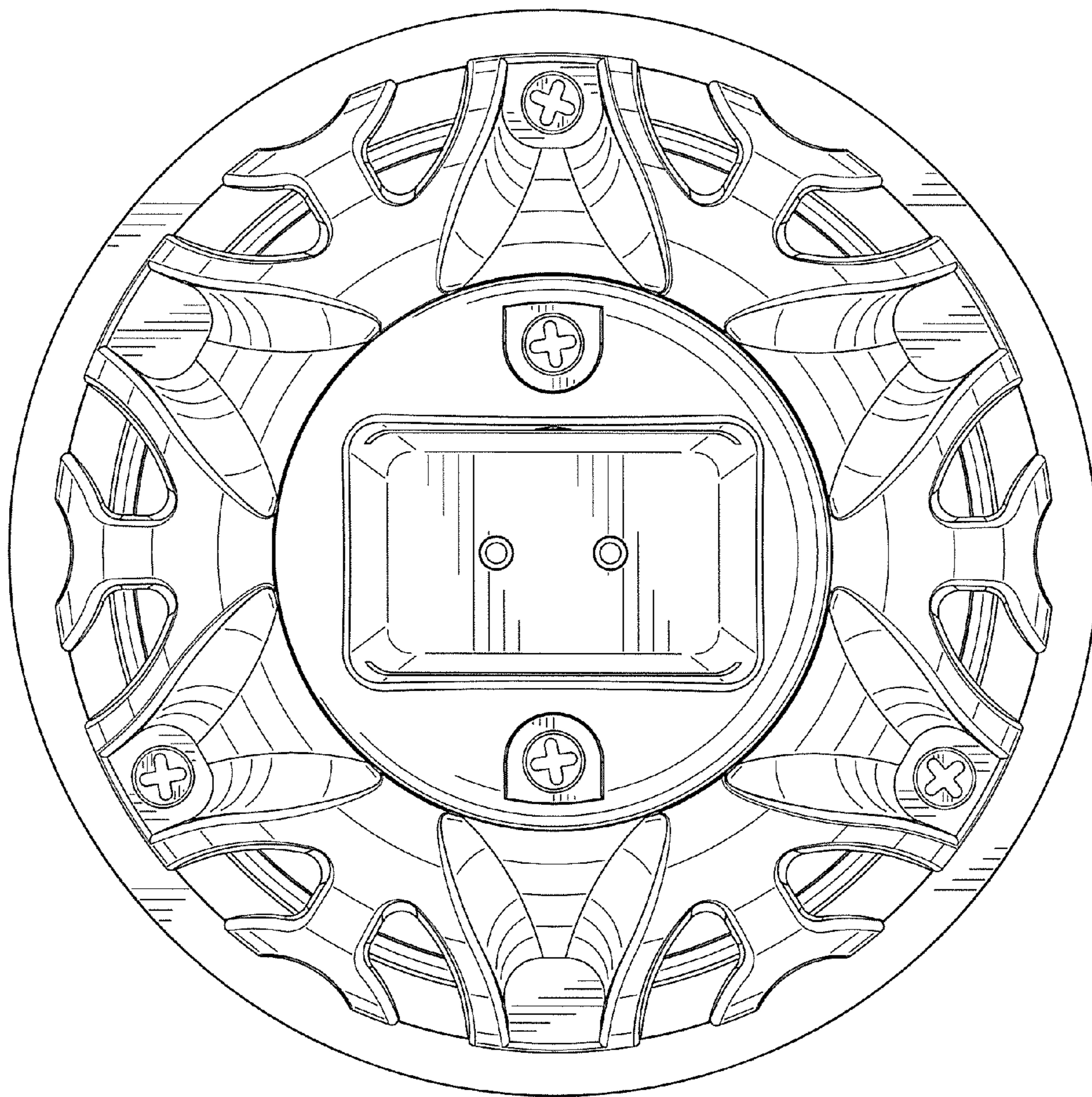


FIG. 7