



US00D690444S

(12) **United States Design Patent**
Katoh et al.

(10) **Patent No.:** **US D690,444 S**

(45) **Date of Patent:** **** Sep. 24, 2013**

(54) **LIGHT-EMITTING DIODE**

(75) Inventors: **Tatsuya Katoh**, Ebina (JP); **Hitoshi Saito**, Minamitsuru-gun (JP)

(73) Assignees: **Citizen Electronics Co., Ltd.**, Yamanashi-Ken (JP); **Citizen Holdings Co., Ltd.**, Tokyo (JP)

(**) Term: **14 Years**

(21) Appl. No.: **29/407,848**

(22) Filed: **Dec. 2, 2011**

(30) **Foreign Application Priority Data**

Jun. 6, 2011 (JP) D2011-012753
Jun. 6, 2011 (JP) D2011-012754

(51) **LOC (9) Cl.** **26-04**

(52) **U.S. Cl.**
USPC **D26/1; D13/180**

(58) **Field of Classification Search**
USPC D26/1; D13/180–182; 362/125,
362/154–156, 555–556; 313/500; 257/82–83,
257/433

See application file for complete search history.

(56) **References Cited**

U.S. PATENT DOCUMENTS

D529,203 S * 9/2006 Nagai D26/1
D530,288 S * 10/2006 Nagai D13/180
D535,262 S * 1/2007 Saito et al. D13/180

D566,303 S * 4/2008 Uemoto et al. D26/24
D573,731 S * 7/2008 Uemoto et al. D26/24
D612,958 S * 3/2010 Uemoto et al. D26/24
D623,781 S * 9/2010 Uemoto et al. D26/24

* cited by examiner

Primary Examiner — Marcus Jackson

(74) *Attorney, Agent, or Firm* — Browdy and Neimark, PLLC

(57) **CLAIM**

The ornamental design for a light-emitting diode, as shown and described here.

DESCRIPTION

FIG. 1 is a top perspective view of a first embodiment of a light-emitting diode showing our new design;
FIG. 2 is a bottom perspective view thereof;
FIG. 3 is a front elevation view thereof;
FIG. 4 is a rear elevation view thereof;
FIG. 5 is a top plan view thereof;
FIG. 6 is a bottom plan view thereof;
FIG. 7 is a right side elevation view thereof;
FIG. 8 is a left side elevation view thereof;
FIG. 9 is a top perspective view of a second embodiment of a light-emitting diode showing our new design;
FIG. 10 is a bottom perspective view thereof;
FIG. 11 is a front elevation view thereof;
FIG. 12 is a rear elevation view thereof;
FIG. 13 is a top plan view thereof;
FIG. 14 is a bottom plan view thereof;
FIG. 15 is a right side elevation view thereof; and,
FIG. 16 is a left side elevation view thereof.

1 Claim, 10 Drawing Sheets

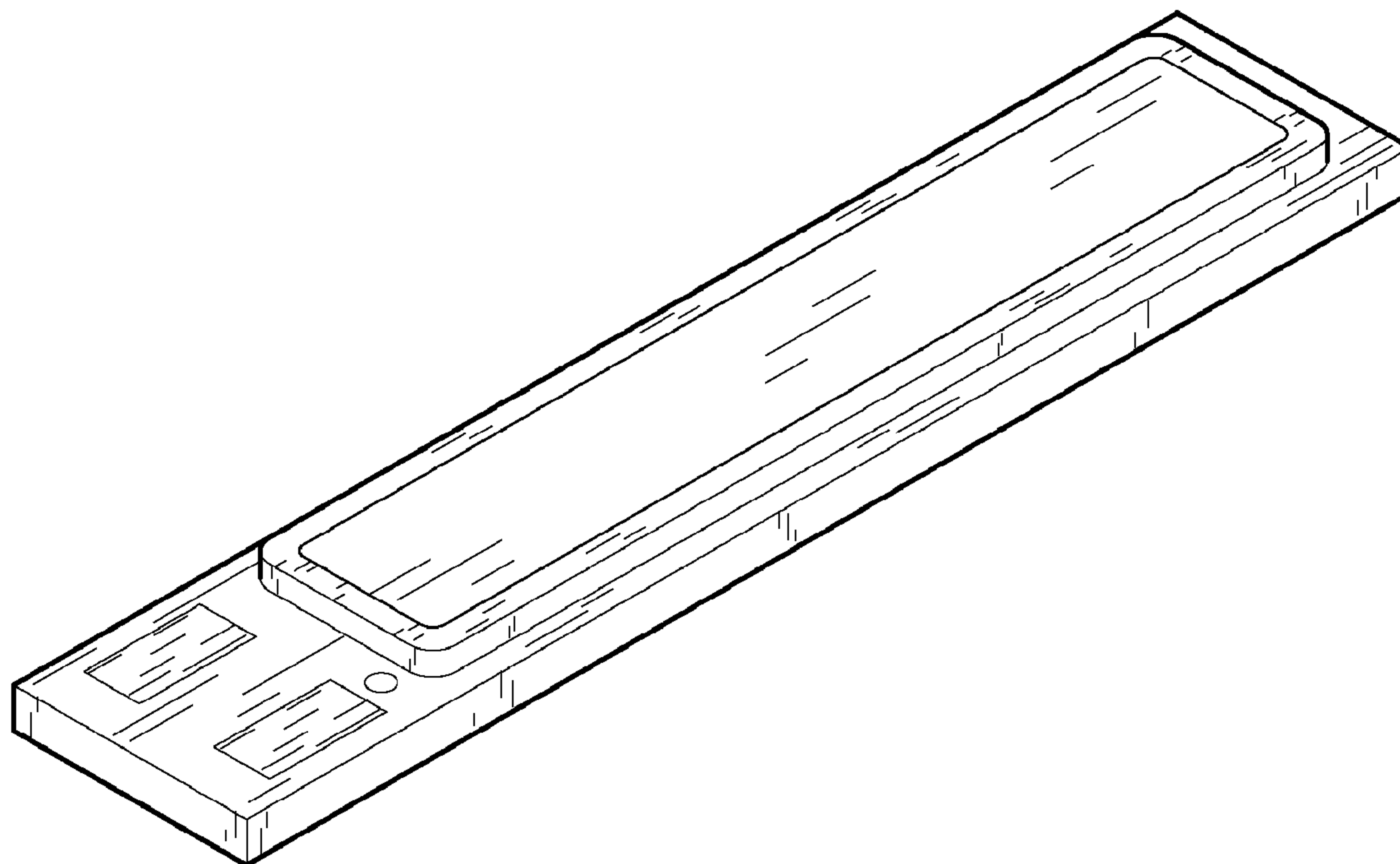


Fig. 1

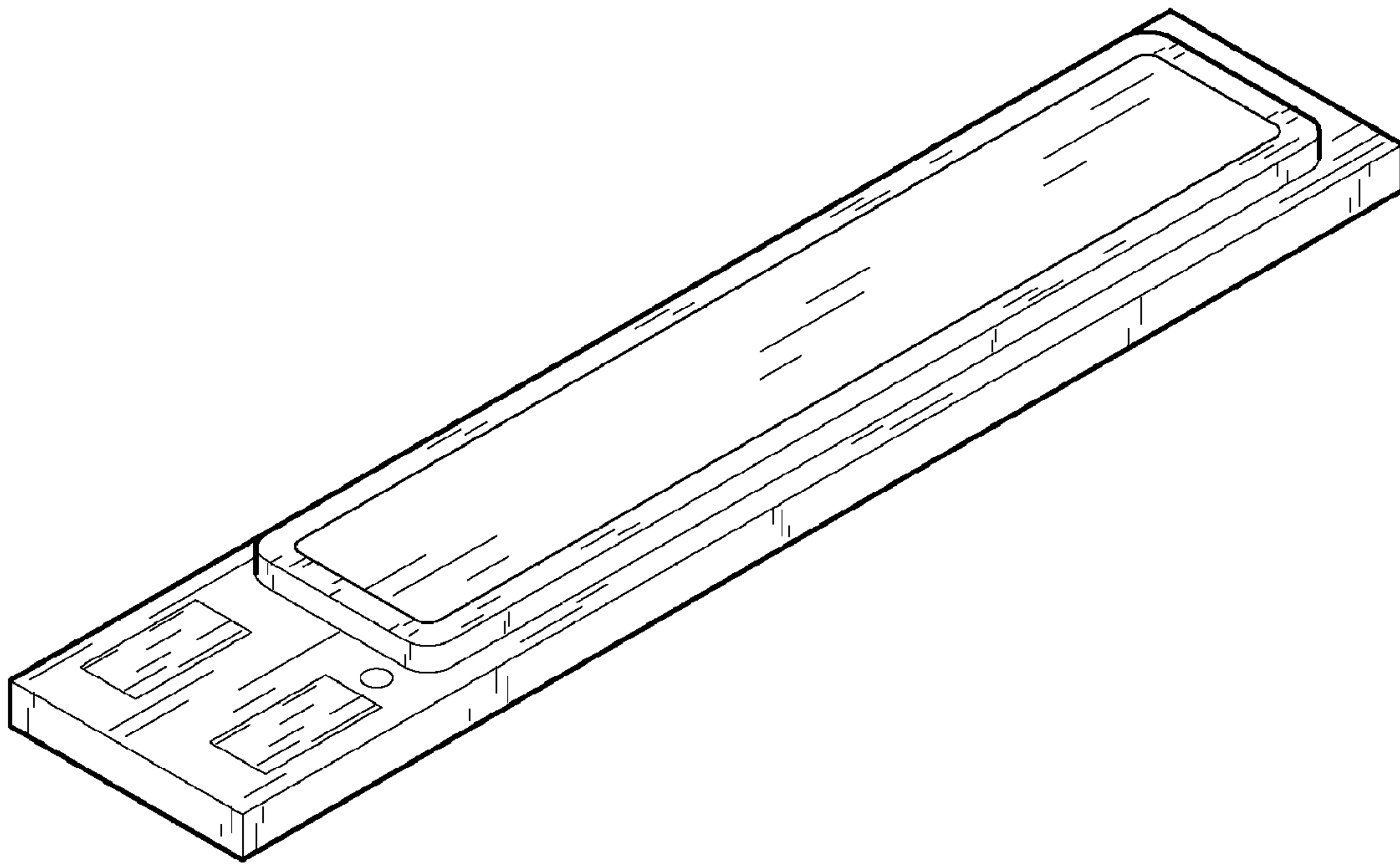


Fig. 2

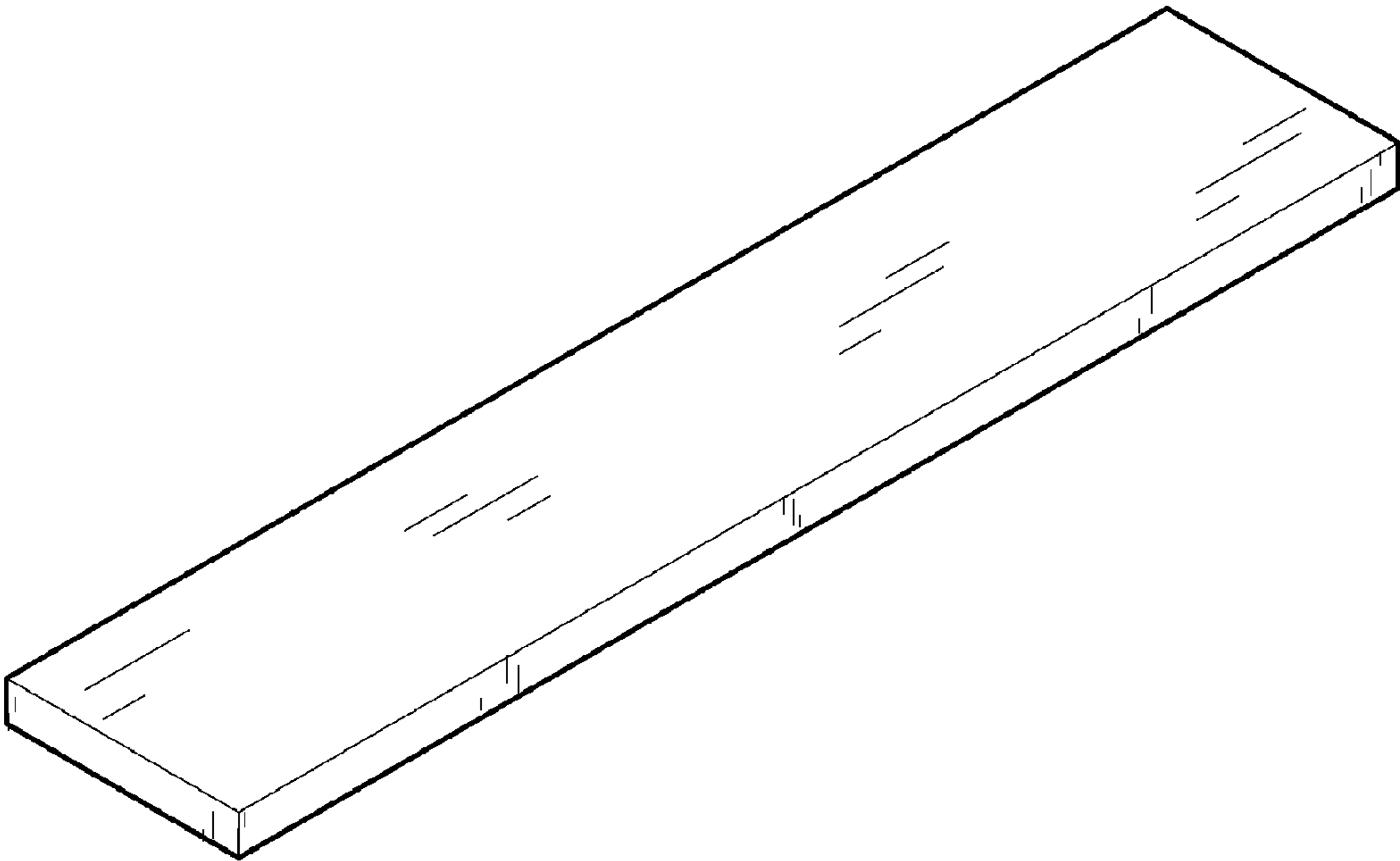


Fig. 3

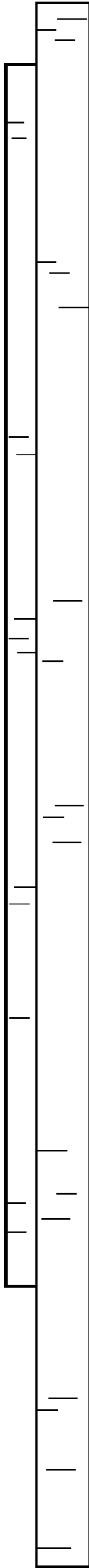


Fig. 4

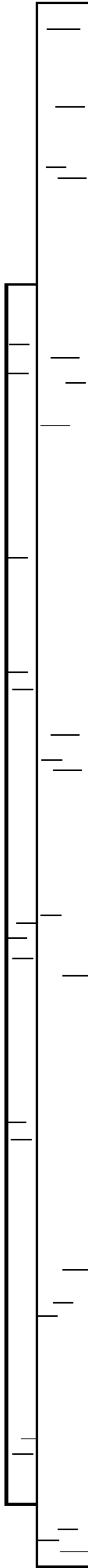


Fig. 5

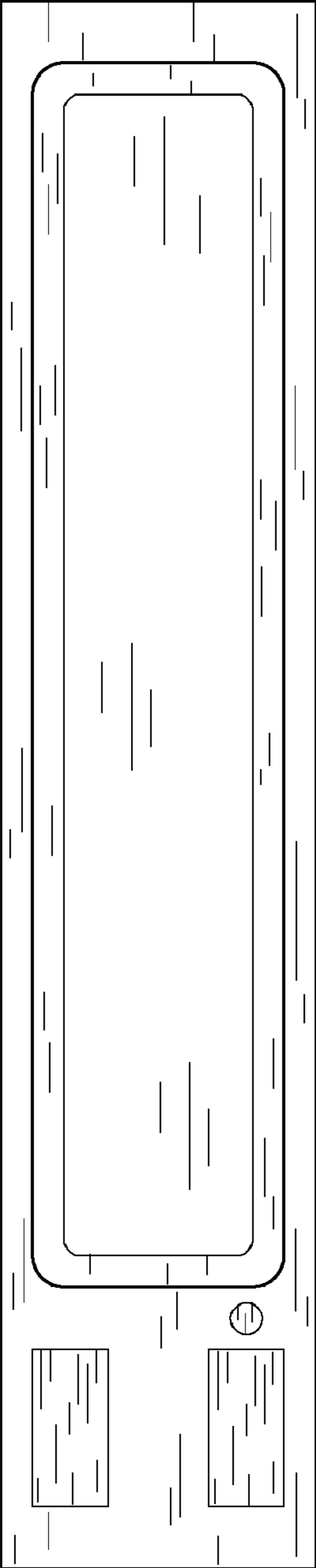


Fig. 6

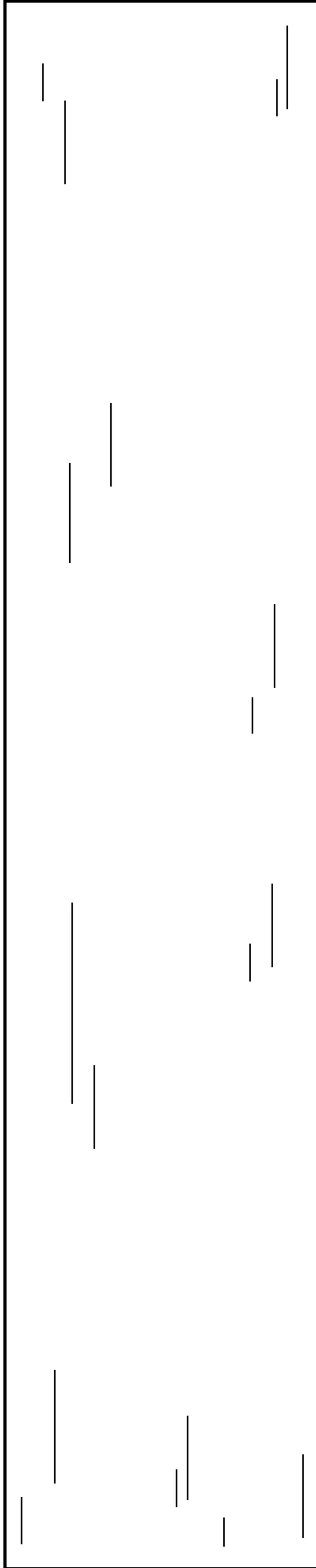


Fig. 7

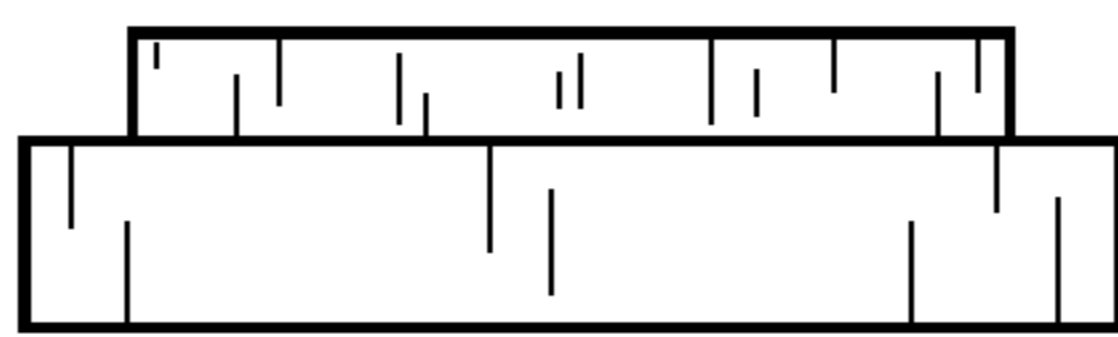


Fig. 8

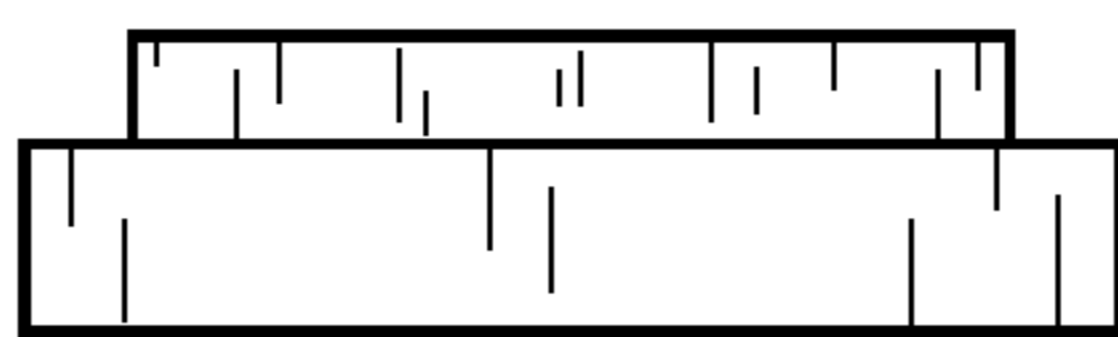


Fig. 9

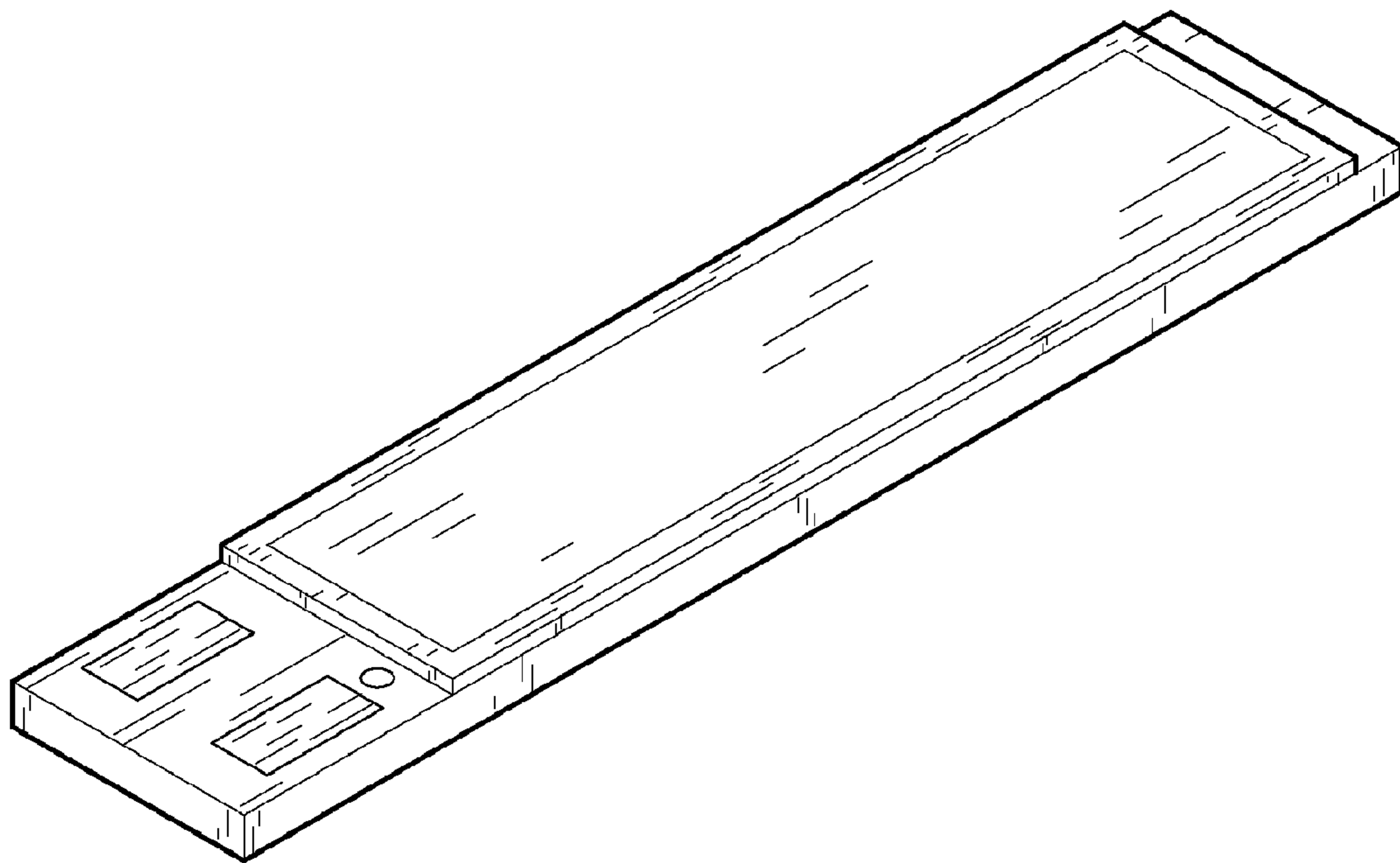


Fig. 10

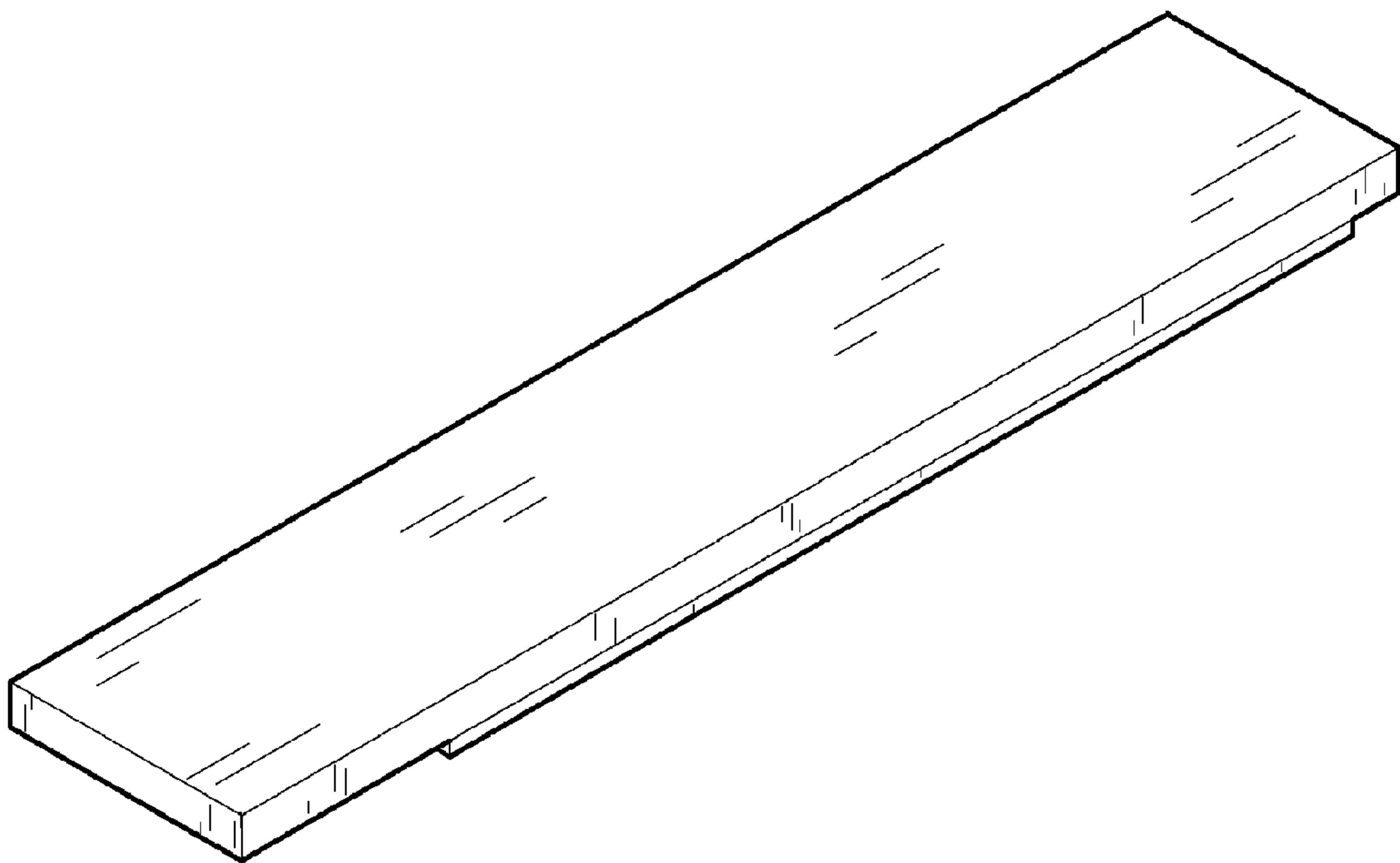


Fig. 11

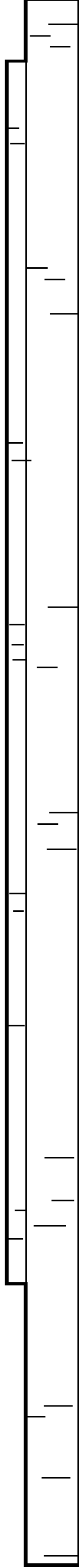


Fig. 12

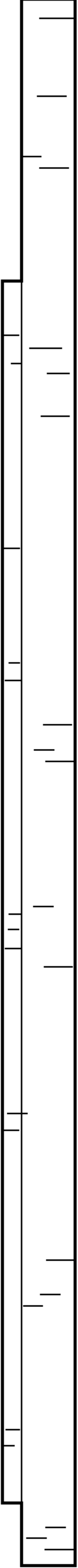


Fig. 13

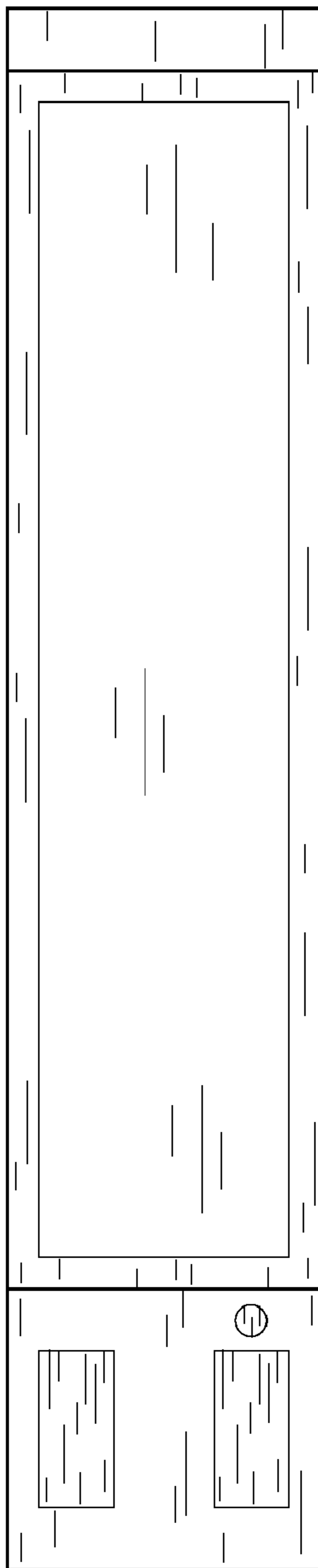


Fig. 14

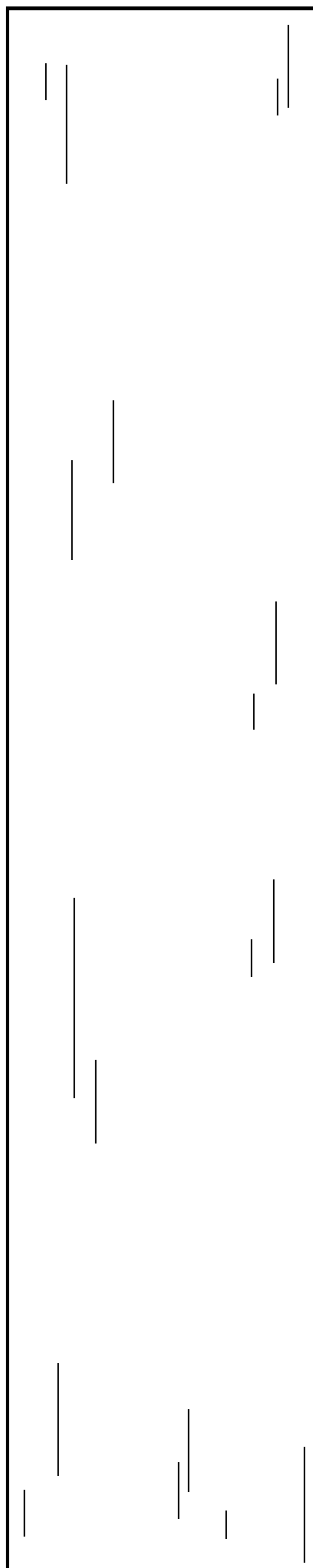


Fig. 15

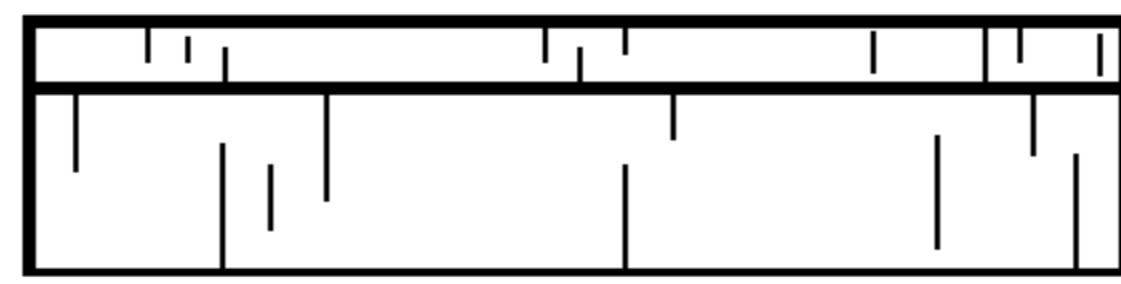


Fig. 16

