



US00D690443S

(12) **United States Design Patent**  
**Takehara et al.**

(10) **Patent No.:** **US D690,443 S**

(45) **Date of Patent:** **\*\* Sep. 24, 2013**

(54) **LIGHT-EMITTING DIODE**

(56) **References Cited**

(75) Inventors: **Maki Takehara**, Minamitsuru-gun (JP);  
**Miho Satoh**, Fujiyoshida (JP)

(73) Assignees: **Citizen Electronics Co., Ltd.**,  
Yamanashi-Ken (JP); **Citizen Holdings**  
**Co., Ltd.**, Tokyo (JP)

(\*\*) Term: **14 Years**

(21) Appl. No.: **29/407,839**

(22) Filed: **Dec. 2, 2011**

(30) **Foreign Application Priority Data**

Jun. 6, 2011 (JP) ..... D2011-012771

(51) **LOC (9) Cl.** ..... **26-04**

(52) **U.S. Cl.**  
USPC ..... **D26/1; D13/180**

(58) **Field of Classification Search**  
USPC ..... D13/180; D26/1; 362/125, 154,  
362/157-159, 182, 184-186, 194, 641-642,  
362/646, 655-656, 800

See application file for complete search history.

U.S. PATENT DOCUMENTS

D528,672 S \* 9/2006 Nagai et al. .... D26/1  
D535,037 S \* 1/2007 Kim et al. .... D26/1  
D576,574 S \* 9/2008 Kobayakawa ..... D13/180  
D578,671 S \* 10/2008 Kanayama et al. .... D26/1  
D591,697 S \* 5/2009 Andrews et al. .... D13/182

\* cited by examiner

*Primary Examiner* — Marcus Jackson

(74) *Attorney, Agent, or Firm* — Browdy and Neimark,  
PLLC

(57) **CLAIM**

The ornamental design for a light-emitting diode, as shown  
and described here.

**DESCRIPTION**

FIG. 1 is a perspective view of the light-emitting diode show-  
ing our new design, with an upper surface, a front side surface  
and a right side surface, viewed diagonally from above;

FIG. 2 is a perspective view showing a bottom surface with  
rear and right side surfaces;

FIG. 3 is a front elevation view thereof;

FIG. 4 is a rear elevation view thereof;

FIG. 5 is a top plan view thereof;

FIG. 6 is a bottom plan view thereof;

FIG. 7 is a right side elevation view thereof; and,

FIG. 8 is a left side elevation view thereof.

**1 Claim, 6 Drawing Sheets**

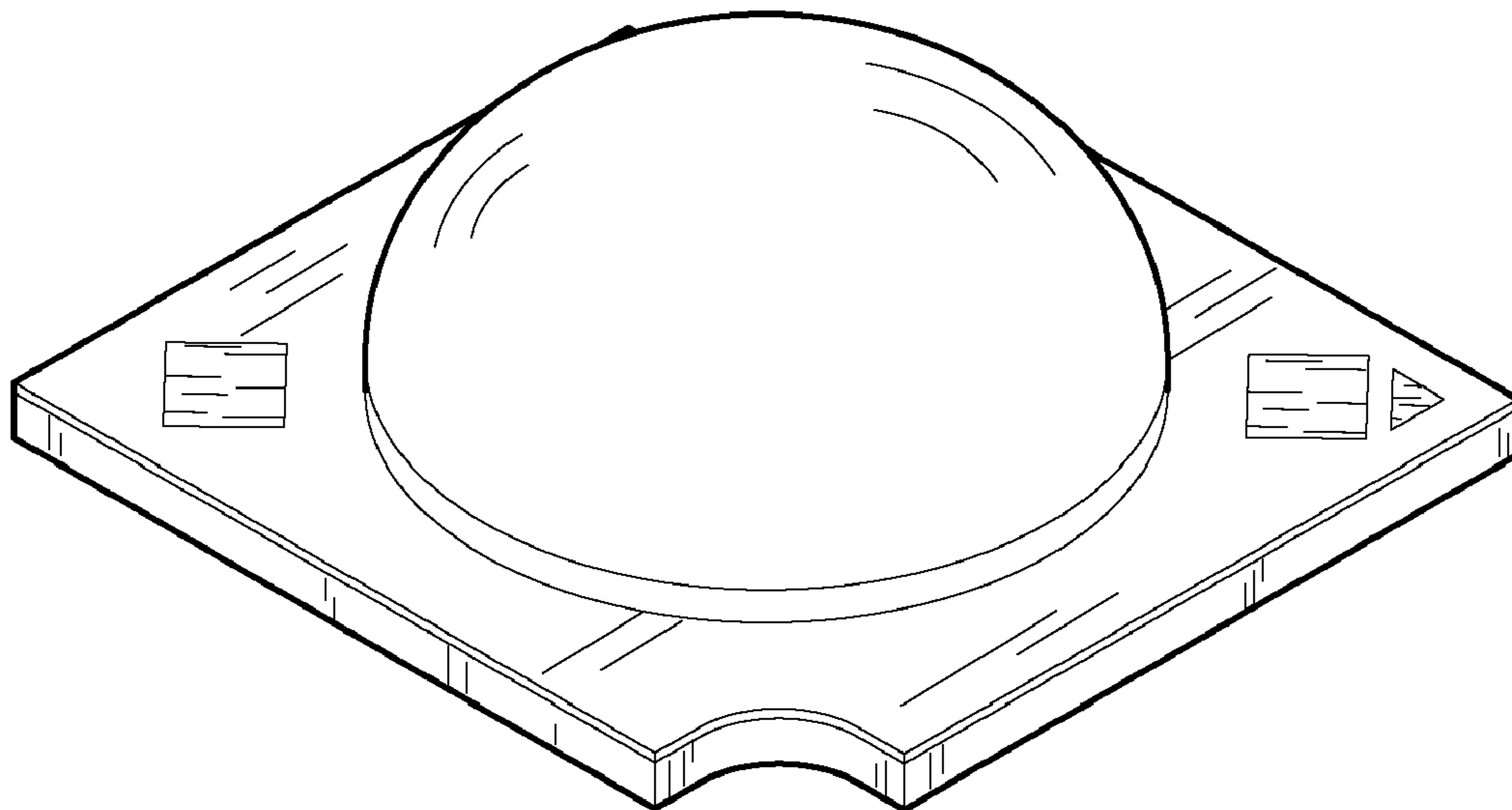


Fig. 1

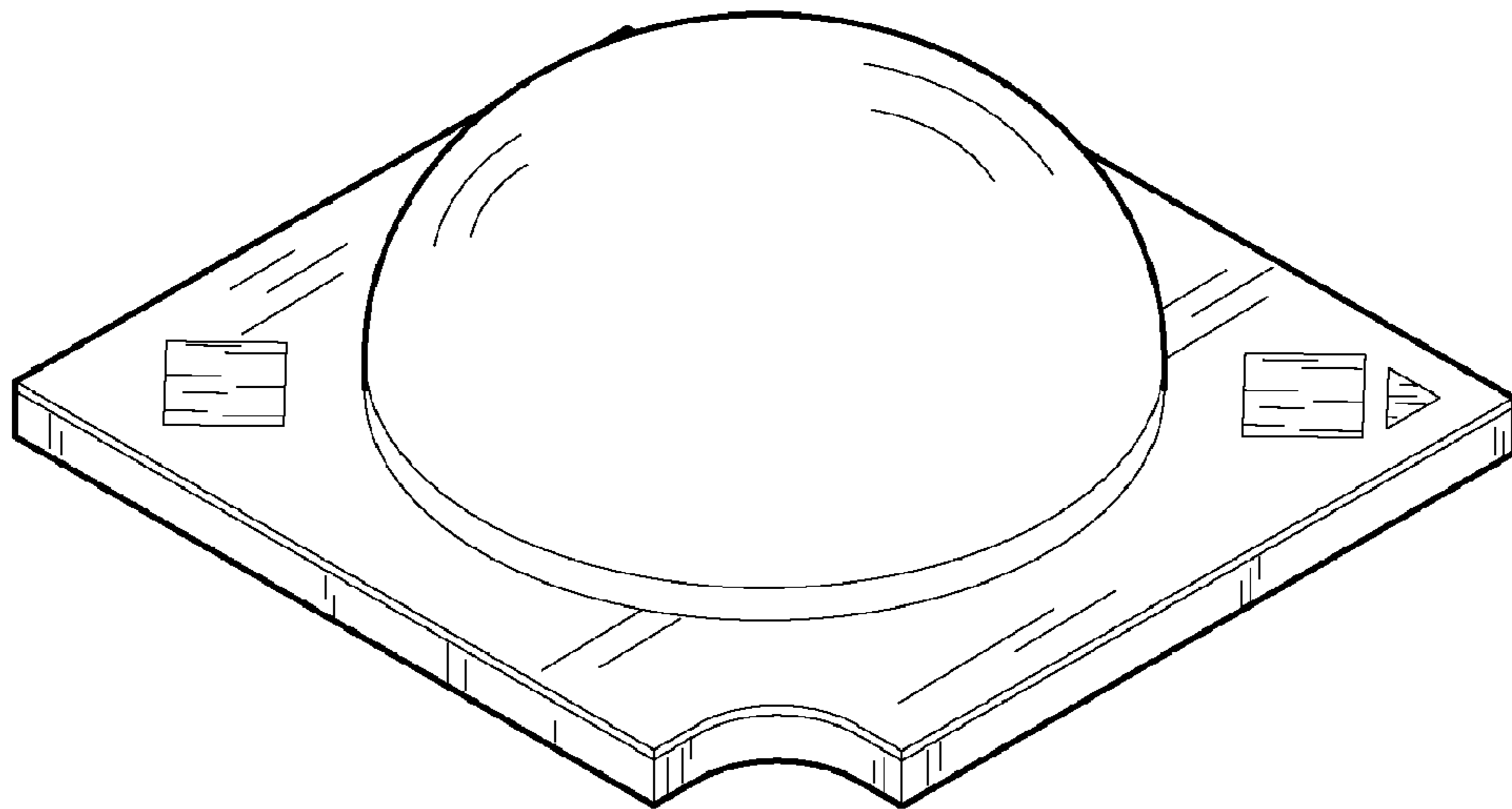


Fig. 2

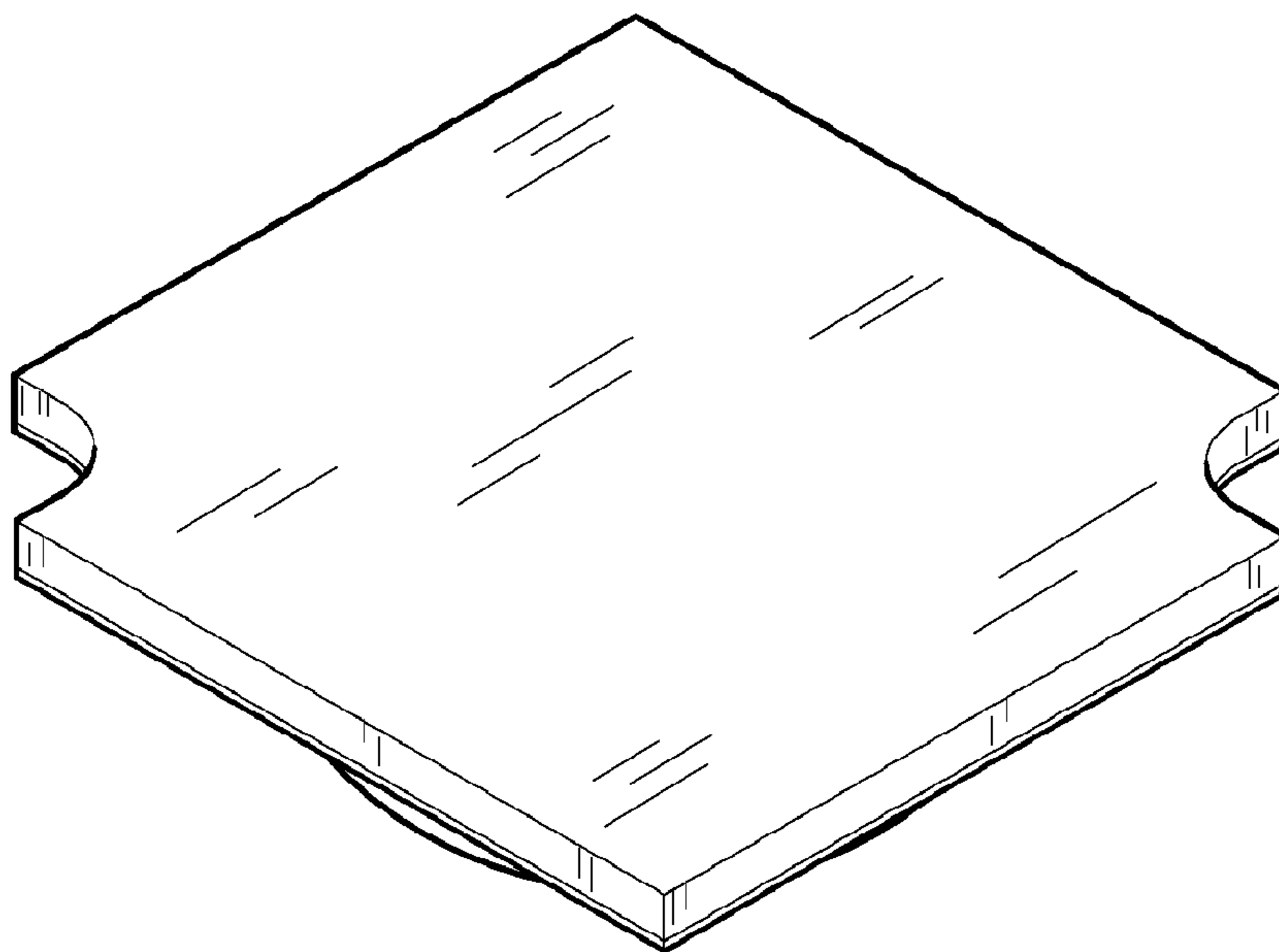


Fig. 3

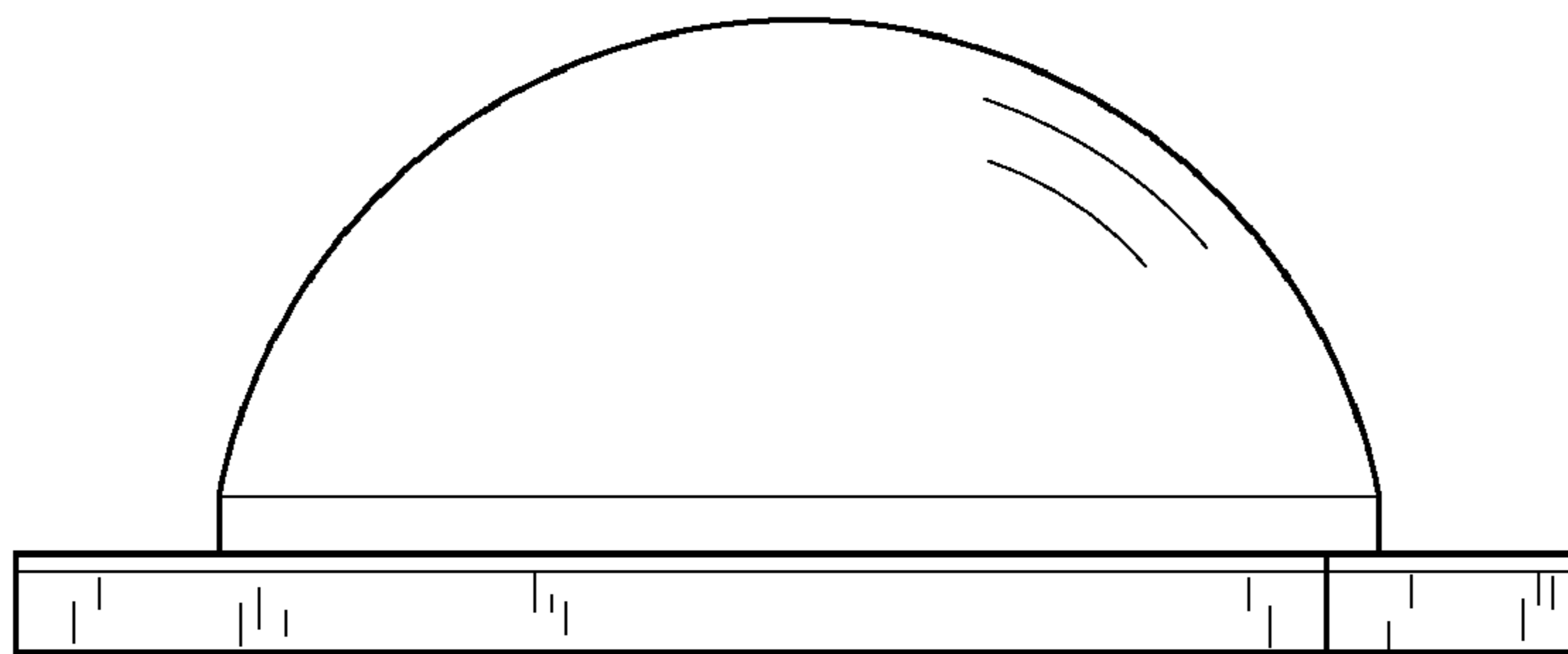


Fig. 4

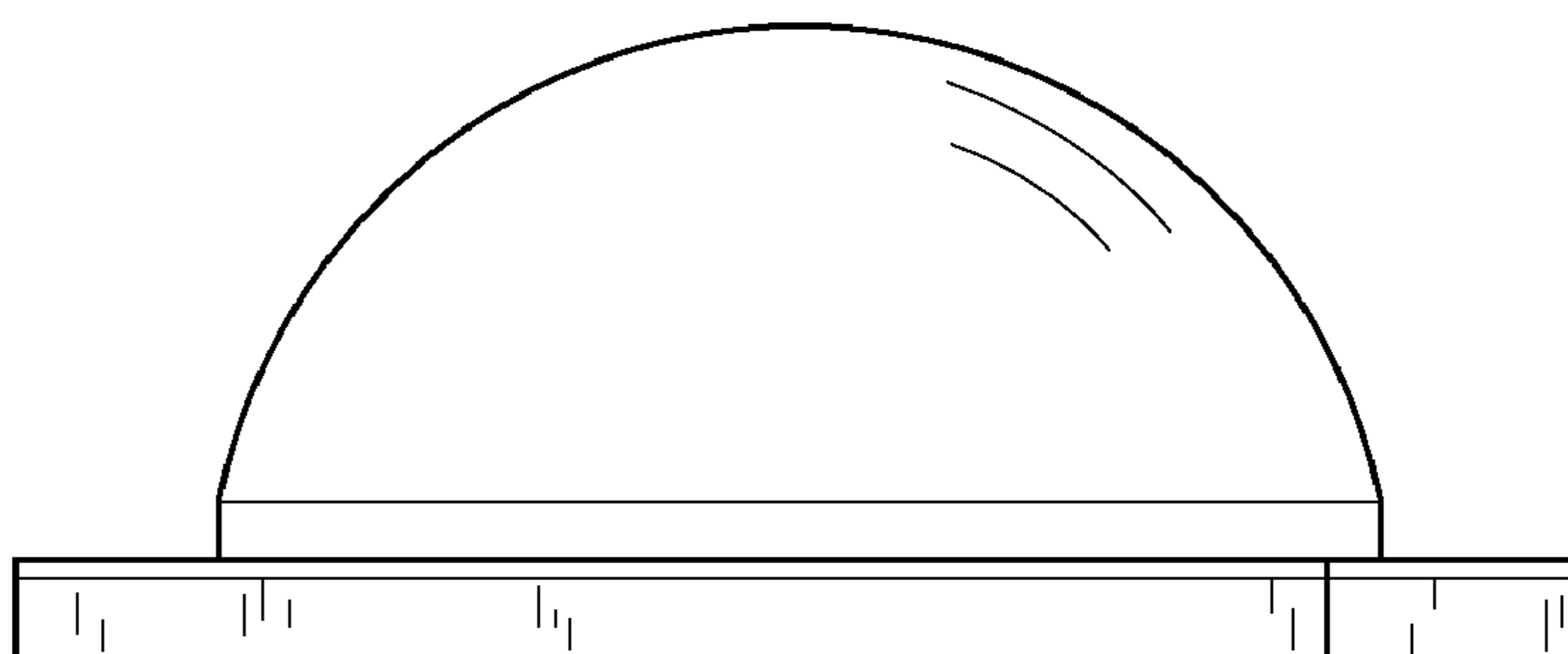


Fig. 5

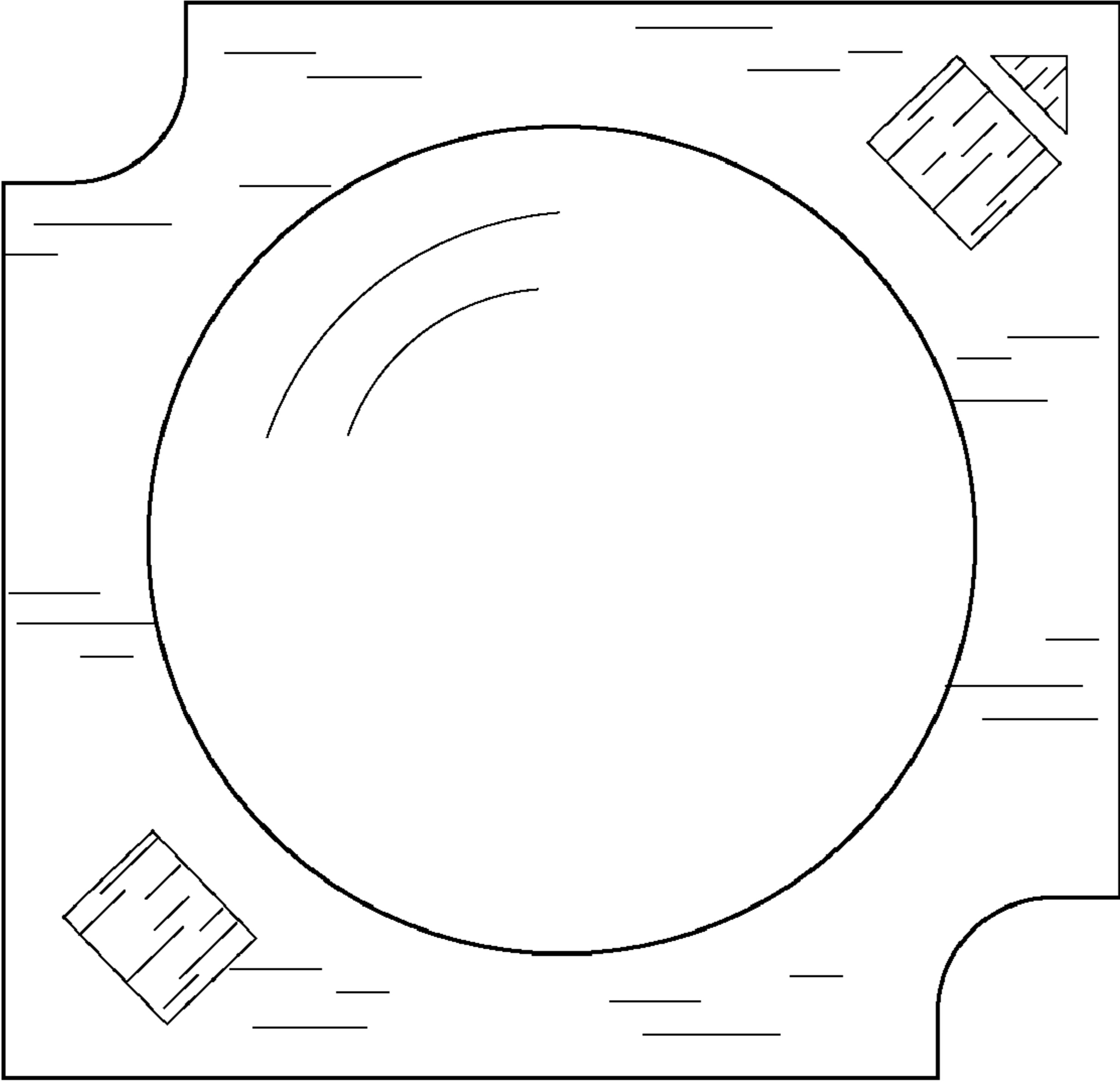


Fig. 6

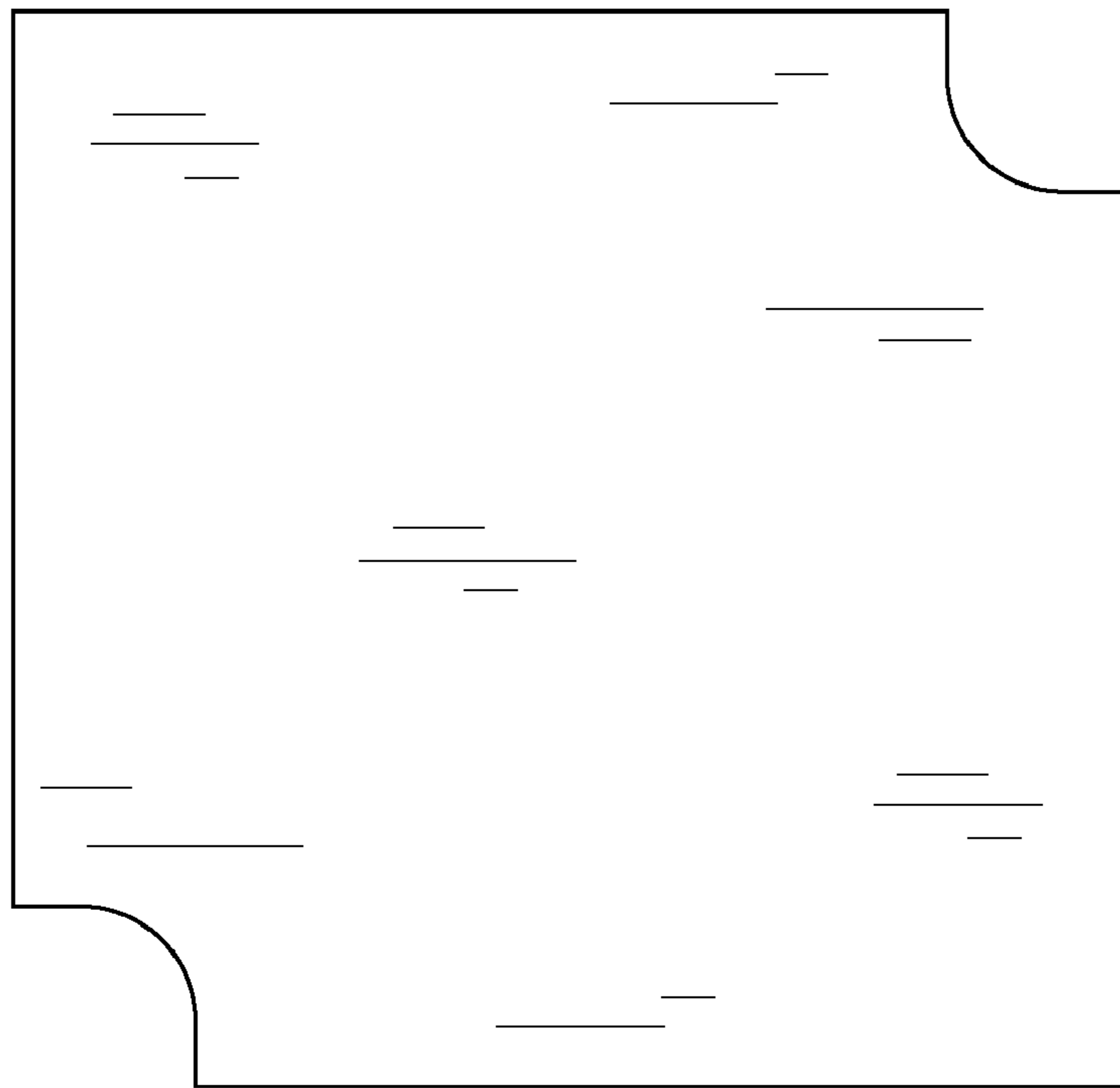


Fig. 7

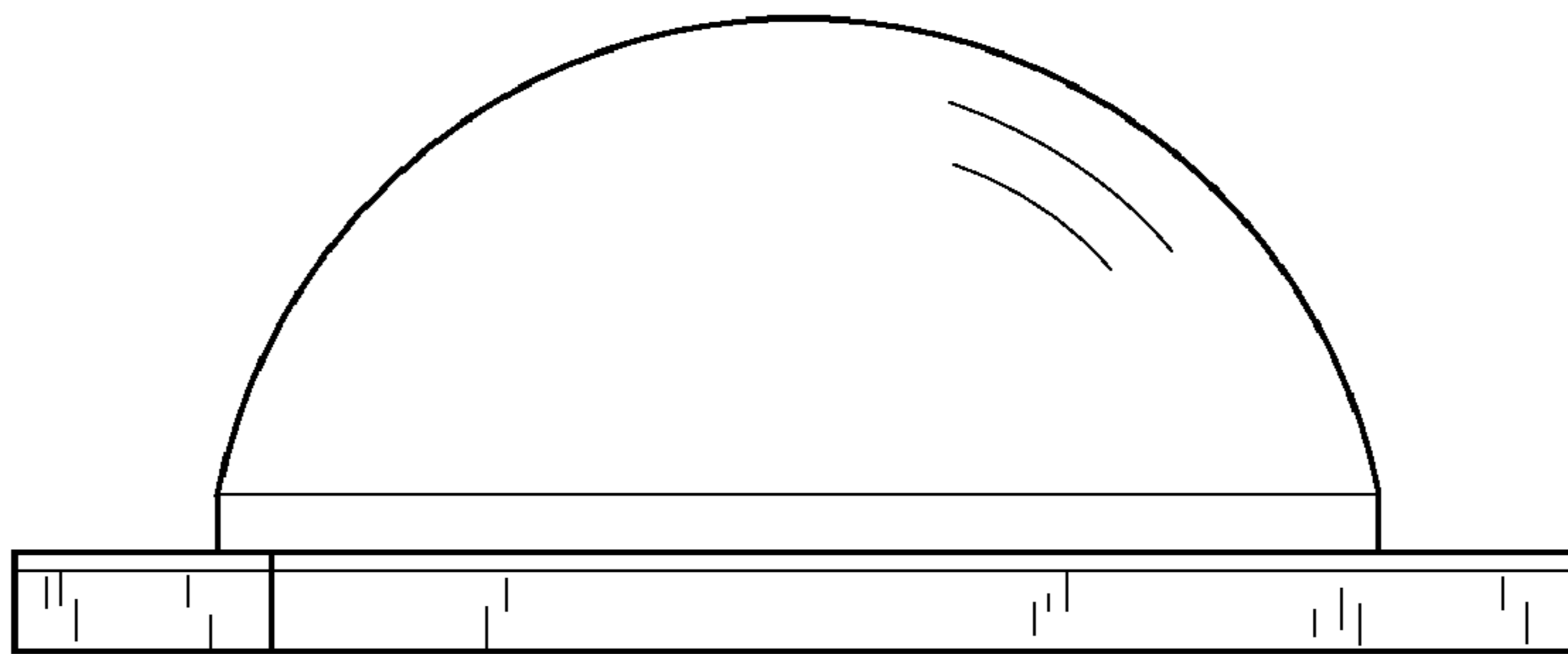


Fig. 8

