

US00D690435S

(12) **United States Design Patent**
Smith

(10) **Patent No.:** **US D690,435 S**

(45) **Date of Patent:** **** Sep. 24, 2013**

(54) **VARIABLE RAIL RECEIVING UNIT**

(75) Inventor: **Gary Smith**, Jarrow (GB)

(73) Assignee: **Preforma Limited**, Newcastle Upon Tyne (GB)

(**) Term: **14 Years**

(21) Appl. No.: **29/416,557**

(22) Filed: **Mar. 23, 2012**
(Under 37 CFR 1.47)

7,913,983 B1 3/2011 Sandor, Sr.
2007/0246698 A1 10/2007 Truckner et al.
2008/0173857 A1* 7/2008 Edwards 256/67

FOREIGN PATENT DOCUMENTS

DE 29803954 U1 10/1998
DE 19945564 A1 3/2001
DE 20314535 U1 12/2003
DE 202004019403 U1 4/2006
EP 1026339 A2 8/2000
EP 1387019 A2 2/2004
GB 563093 A 7/1944
GB 972491 A 10/1964
GB 2443193 A 4/2008
WO WO-2004/088054 A1 10/2004

OTHER PUBLICATIONS

Severens, Gert, "International Search Report" for PCT/GB2010/051546, as mailed Jul. 6, 2011, 5 pages.

* cited by examiner

Primary Examiner — Doris Clark

(74) *Attorney, Agent, or Firm* — Winstead PC

(57) **CLAIM**

The ornamental design for a variable rail receiving unit, as shown and described.

DESCRIPTION

FIG. 1 is a perspective view of the variable rail receiving unit, showing the new design;

FIG. 2 is a front view thereof;

FIG. 3 is a back view thereof;

FIG. 4 is a left side view thereof;

FIG. 5 is a right side view thereof;

FIG. 6 is a top plan view thereof; and,

FIG. 7 is a bottom plan view thereof.

Any broken lines present in the drawings are for purposes of illustrating portion(s) of the article that form no part of the design.

1 Claim, 4 Drawing Sheets

Related U.S. Application Data

(63) Continuation of application No. 13/395,522, filed on Oct. 4, 2012.

(30) **Foreign Application Priority Data**

Sep. 17, 2009 (GB) 0916327.0

(51) **LOC (9) Cl.** **25-02**

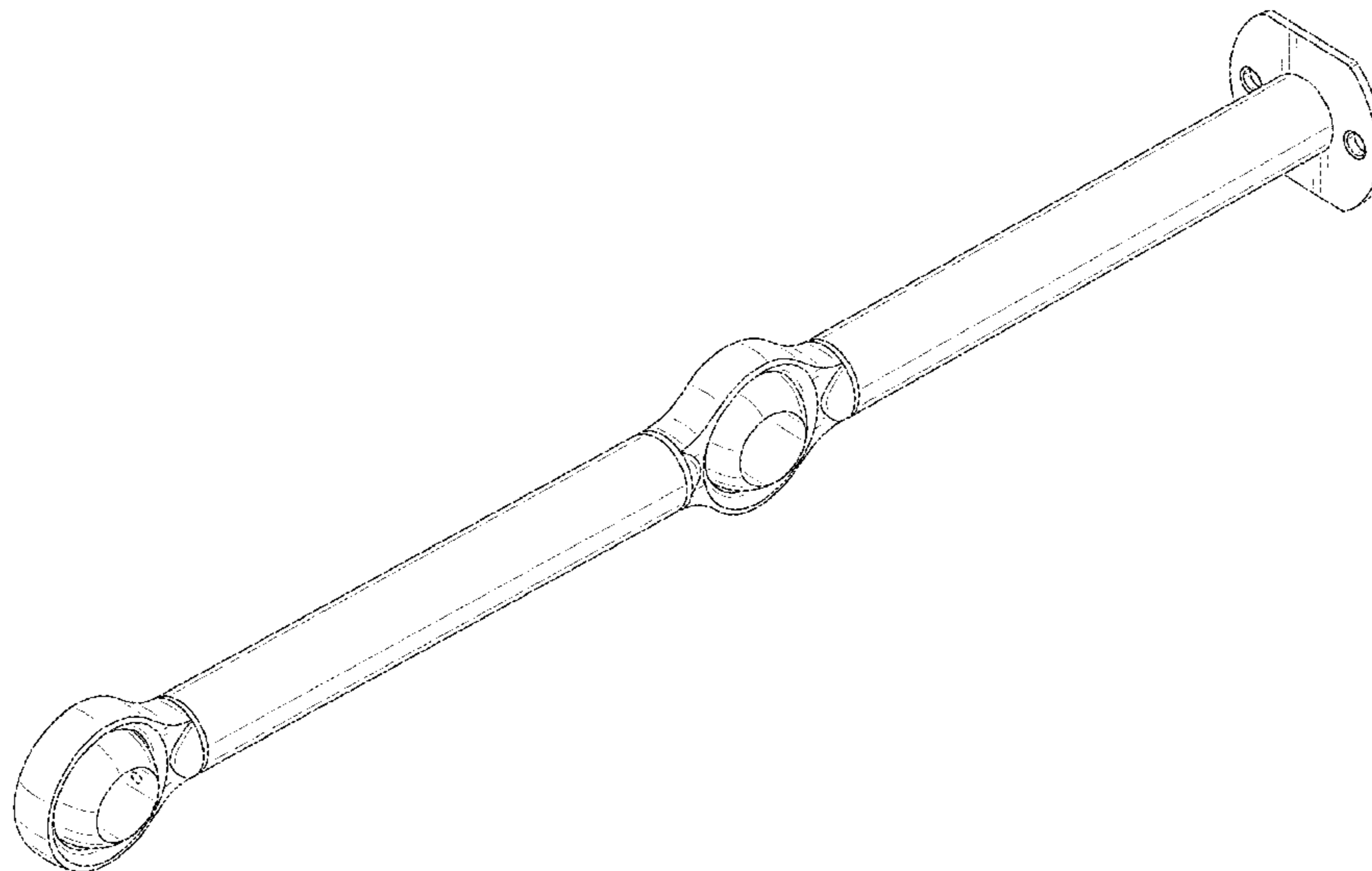
(52) **U.S. Cl.**
USPC **D25/38.1**

(58) **Field of Classification Search**
USPC D25/38.1, 132, 133, 134; 256/65.08,
256/65.02, 67; 403/26, 72, 73, 76, 83, 90,
403/114, 127
See application file for complete search history.

(56) **References Cited**

U.S. PATENT DOCUMENTS

1,423,927 A * 7/1922 Falk 403/73
3,489,392 A * 1/1970 Thom 256/65.08
3,741,595 A * 6/1973 Horgan, Jr. 403/59
4,053,140 A 10/1977 Clemens et al.
4,928,930 A * 5/1990 Chung 256/67
6,149,337 A 11/2000 Newton et al.
6,279,880 B1 * 8/2001 Hawks, Jr. 256/67
D468,835 S * 1/2003 Schiefelbein et al. D25/38.1



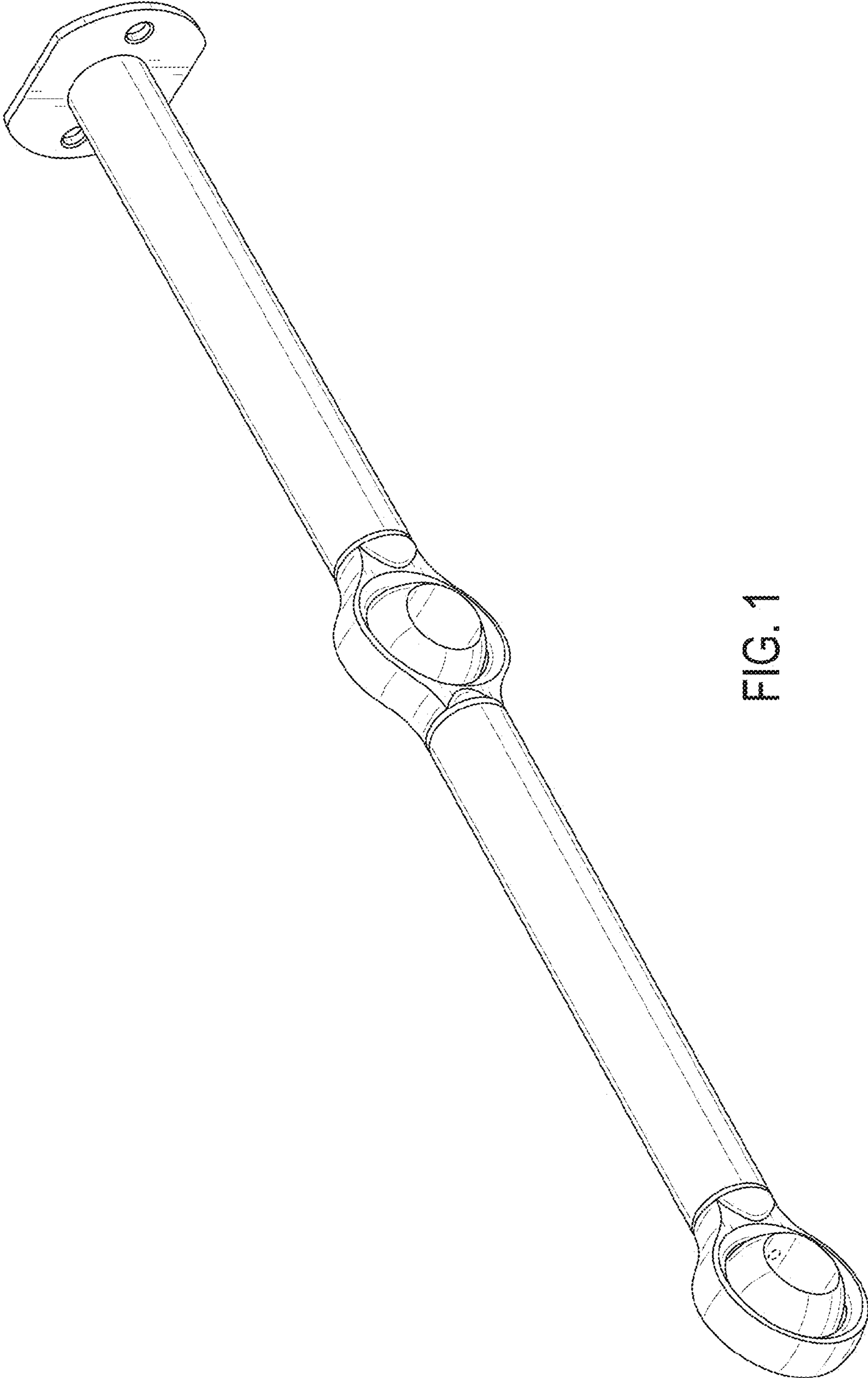


FIG. 1

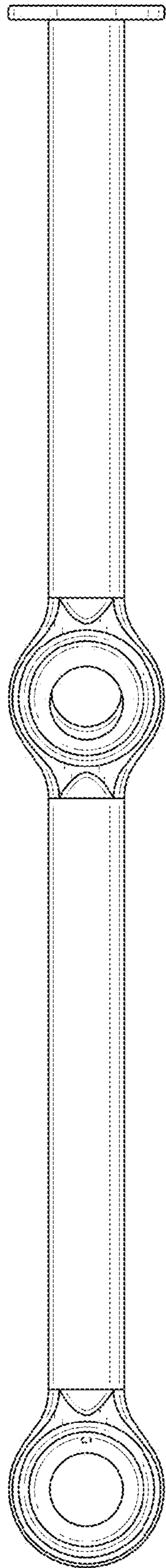


FIG. 2

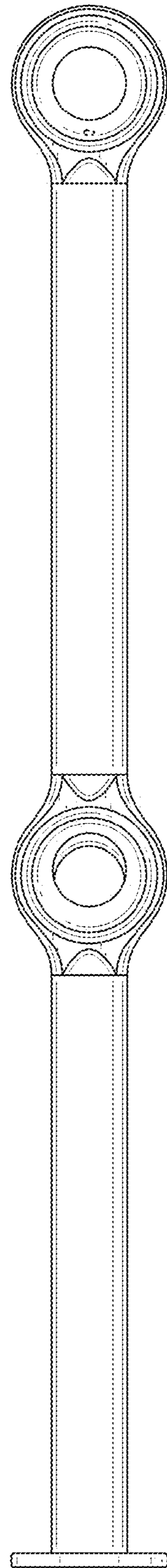


FIG. 3

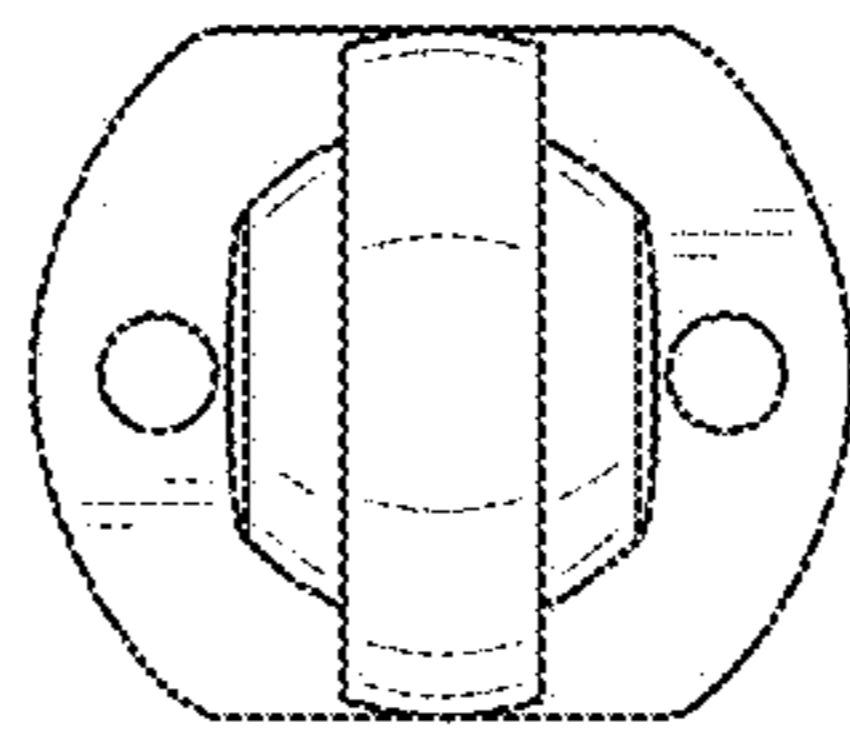


FIG. 4

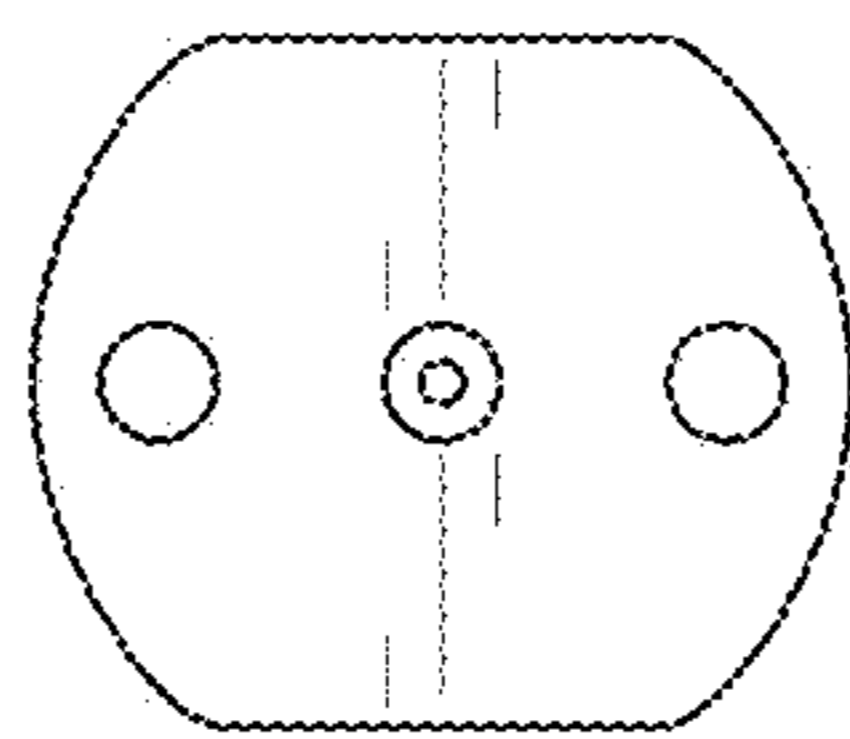


FIG. 5

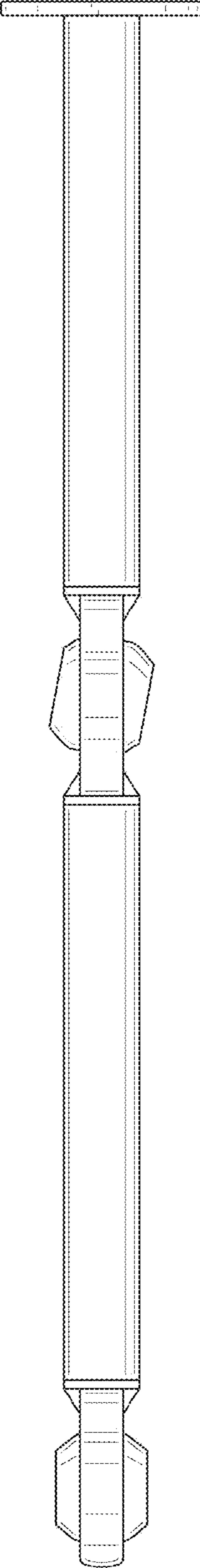


FIG. 6

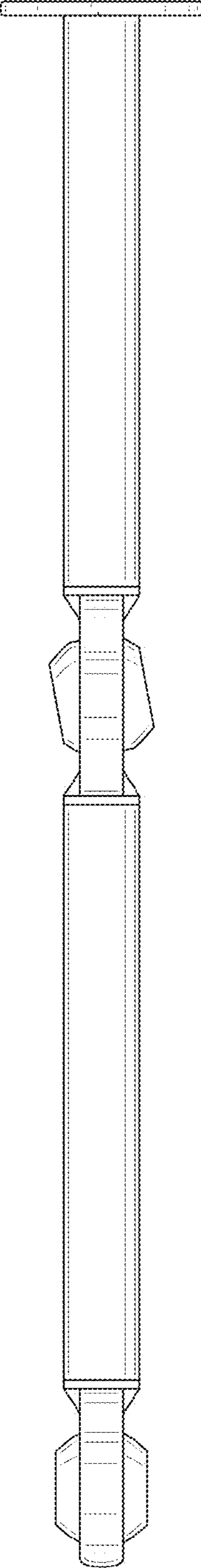


FIG. 7