



US00D690434S

(12) **United States Design Patent**  
**Koppelman et al.**

(10) **Patent No.:** **US D690,434 S**

(45) **Date of Patent:** **\*\* Sep. 24, 2013**

(54) **RETAIL KIOSK**

4,471,586 A 9/1984 Shuch et al.  
D285,913 S \* 9/1986 Chambers ..... D12/103  
4,653,238 A 3/1987 Berman

(Continued)

(71) Applicant: **Target Brands, Inc.**, Minneapolis, MN  
(US)

**OTHER PUBLICATIONS**

(72) Inventors: **Kristin M. Koppelman**, Roseville, MN  
(US); **Melissa M. Champine**,  
Burnsville, MN (US)

Pending U.S. Appl. No. 13/626,033, filed Sep. 25, 2012, entitled  
Retail Kiosk, 27 pages.

(73) Assignee: **Target Brands, Inc.**, Minneapolis, MN  
(US)

*Primary Examiner* — Eric Goodman

(74) *Attorney, Agent, or Firm* — Leanne Taveggia Farrell;  
Westman, Champlic & Kelly, P.A.

(\*\*) Term: **14 Years**

(57) **CLAIM**

The ornamental design for a retail kiosk, as shown and  
described.

(21) Appl. No.: **29/433,025**

**DESCRIPTION**

(22) Filed: **Sep. 25, 2012**

(51) **LOC (9) Cl.** ..... **25-03**

(52) **U.S. Cl.**  
USPC ..... **D25/18**

(58) **Field of Classification Search**  
USPC ..... D25/1-33; D12/101-103; 52/79.1,  
52/79.4-79.5, 81.5, 236.1, 274, 74, 71, 245-246,  
52/82, 90.1, 64  
See application file for complete search history.

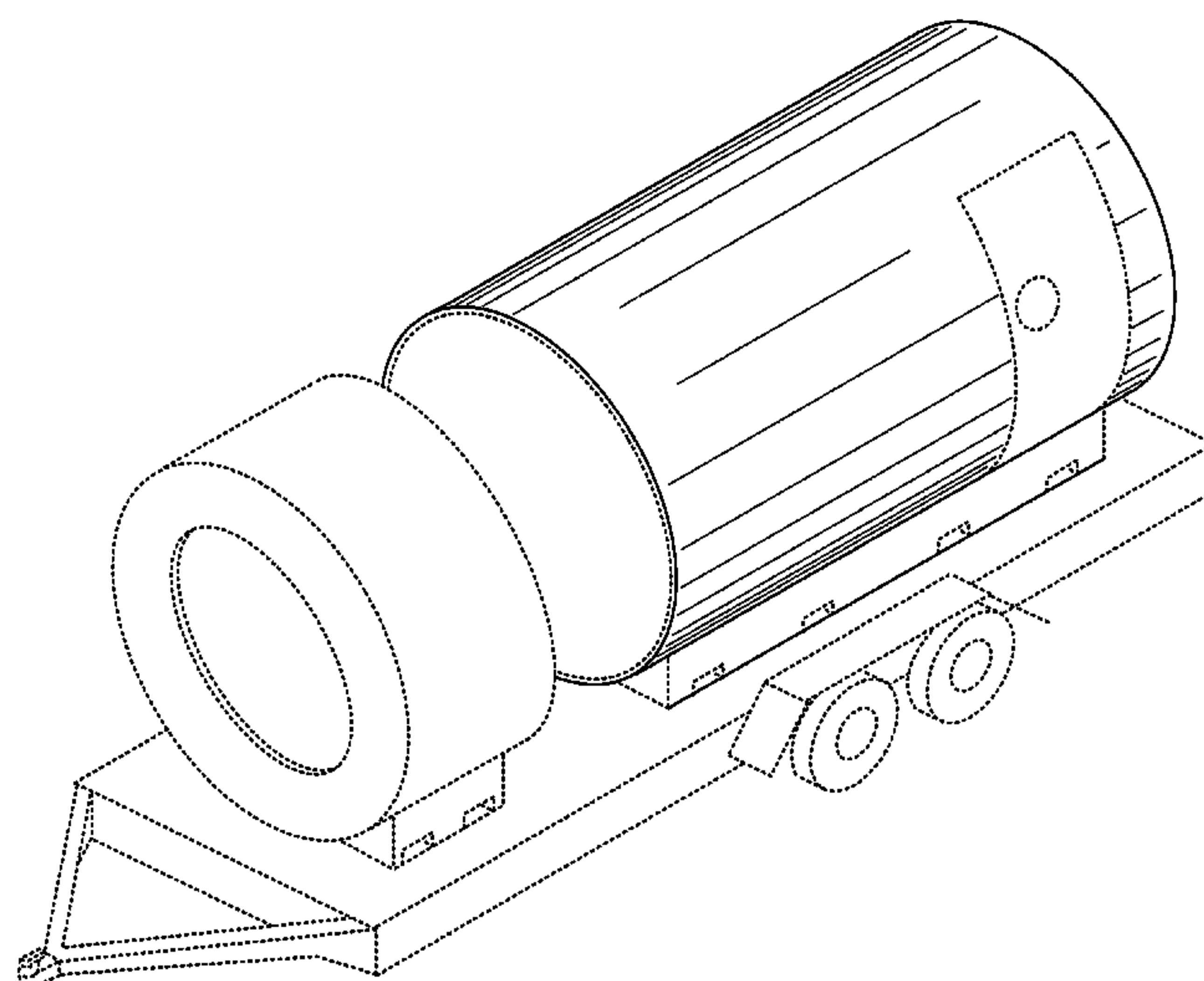
FIG. 1 is a perspective view of a retail kiosk;  
FIG. 2 is a front view thereof with a portion of unclaimed  
environment removed;  
FIG. 3 is a back view thereof;  
FIG. 4 is right side view thereof;  
FIG. 5 is a left side view thereof;  
FIG. 6 is a top view of thereof;  
FIG. 7 is a bottom view thereof;  
FIG. 8 is a perspective view of the retail kiosk shown in an  
alternate position;  
FIG. 9 is a front view of the retail kiosk illustrated in FIG. 8;  
FIG. 10 is a back view of the retail kiosk illustrated in FIG. 8;  
FIG. 11 is a right side view of the retail kiosk illustrated in  
FIG. 8;  
FIG. 12 is a left side view of the retail kiosk illustrated in FIG.  
8;  
FIG. 13 is a top view of the retail kiosk illustrated in FIG. 8;  
and,  
FIG. 14 is a bottom view of the retail kiosk illustrated in FIG.  
8.  
The broken lines are included for purposes of illustration and  
form no part of the claimed design.

(56) **References Cited**

**U.S. PATENT DOCUMENTS**

D68,981 S	12/1925	McInroy	
D69,762 S	3/1926	Kurowski	
2,563,886 A	8/1951	Taylor	
2,907,601 A *	10/1959	Kuchenbecker et al. ....	296/168
3,799,604 A	3/1974	Letourneux	
D245,866 S	9/1977	Schuldenfrei et al.	
4,073,101 A	2/1978	Yoshida	
D251,613 S	4/1979	Wollman	
4,174,594 A	11/1979	Panzini	
D255,719 S	7/1980	Panzini	
D257,490 S	11/1980	Davis	
4,453,327 A	6/1984	Clarke	

**1 Claim, 12 Drawing Sheets**



(56)

References Cited

U.S. PATENT DOCUMENTS

4,704,827 A 11/1987 Murphy et al.  
 D296,131 S 6/1988 James  
 4,794,717 A \* 1/1989 Horsmann ..... 43/1  
 4,805,356 A 2/1989 Feisst  
 D309,124 S \* 7/1990 Young ..... D12/102  
 D311,956 S 11/1990 Barnes  
 5,647,074 A 7/1997 White, Jr. et al.  
 5,702,166 A 12/1997 Lee  
 D403,078 S \* 12/1998 Allan et al. .... D25/7  
 D447,311 S 8/2001 Swaine  
 6,439,345 B1 8/2002 Recktenwald et al.  
 D467,753 S 12/2002 Simpson  
 D519,645 S \* 4/2006 Wright et al. .... D25/16  
 7,185,809 B2 3/2007 Barton et al.  
 D545,451 S \* 6/2007 Urbanek ..... D25/16

D550,855 S 9/2007 Tonella  
 D555,524 S \* 11/2007 Jacobsen et al. .... D10/75  
 D569,009 S \* 5/2008 Hallberg ..... D25/16  
 7,445,600 B1 11/2008 Carr et al.  
 D583,963 S 12/2008 Perez Lazala  
 7,715,175 B2 5/2010 De La Fuente  
 D621,524 S 8/2010 Olson et al.  
 D633,010 S \* 2/2011 Hixson et al. .... D12/102  
 7,942,461 B2 5/2011 Cohen et al.  
 8,032,420 B2 10/2011 Dziaba et al.  
 D653,589 S \* 2/2012 Hixson et al. .... D12/102  
 D656,240 S \* 3/2012 Andreini et al. .... D25/31  
 D668,582 S \* 10/2012 Doron ..... D12/102  
 2008/0313046 A1 12/2008 Denenburg et al.  
 2009/0308693 A1 12/2009 Johnson, Jr.  
 2010/0023372 A1 1/2010 Gonzalez

\* cited by examiner

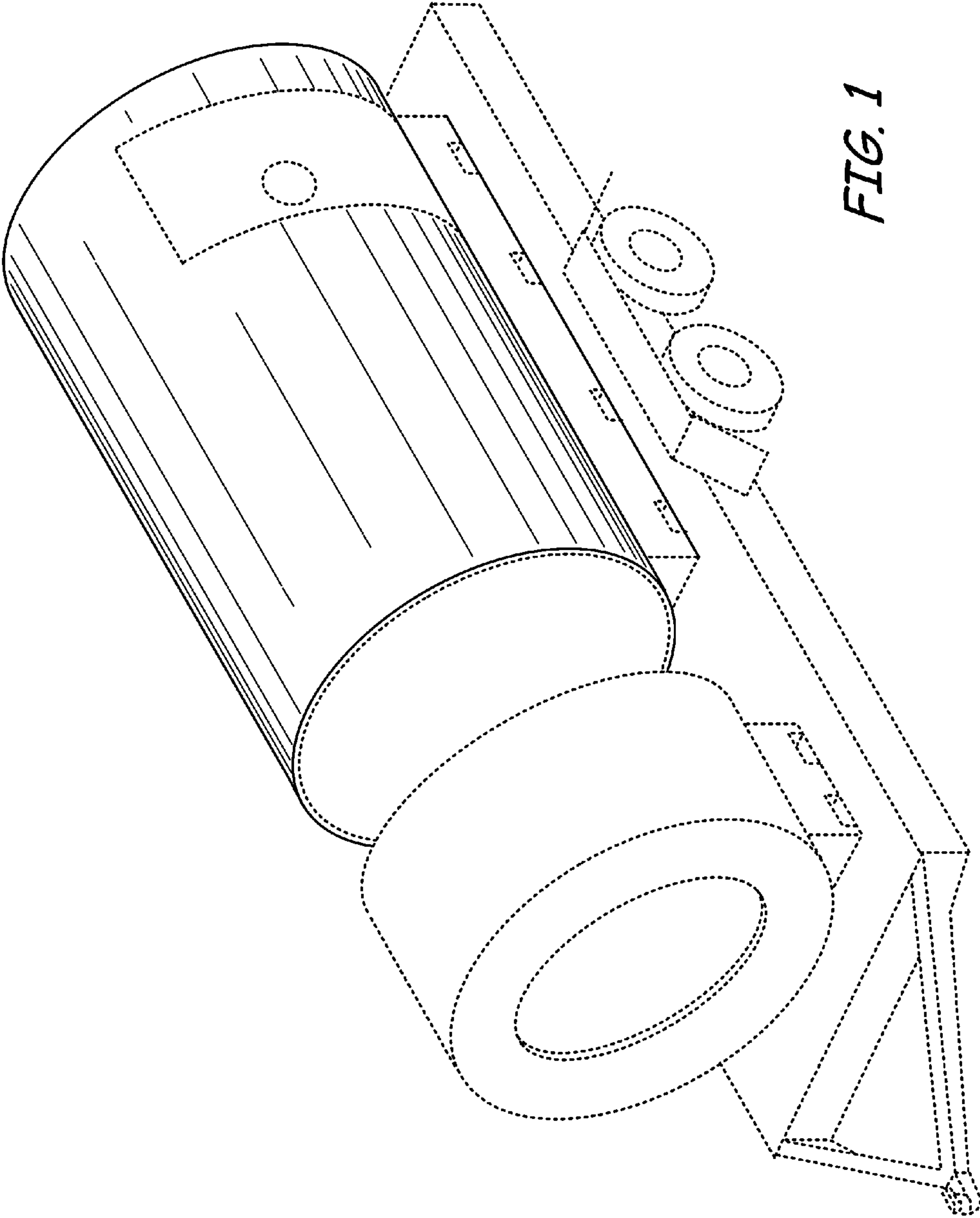
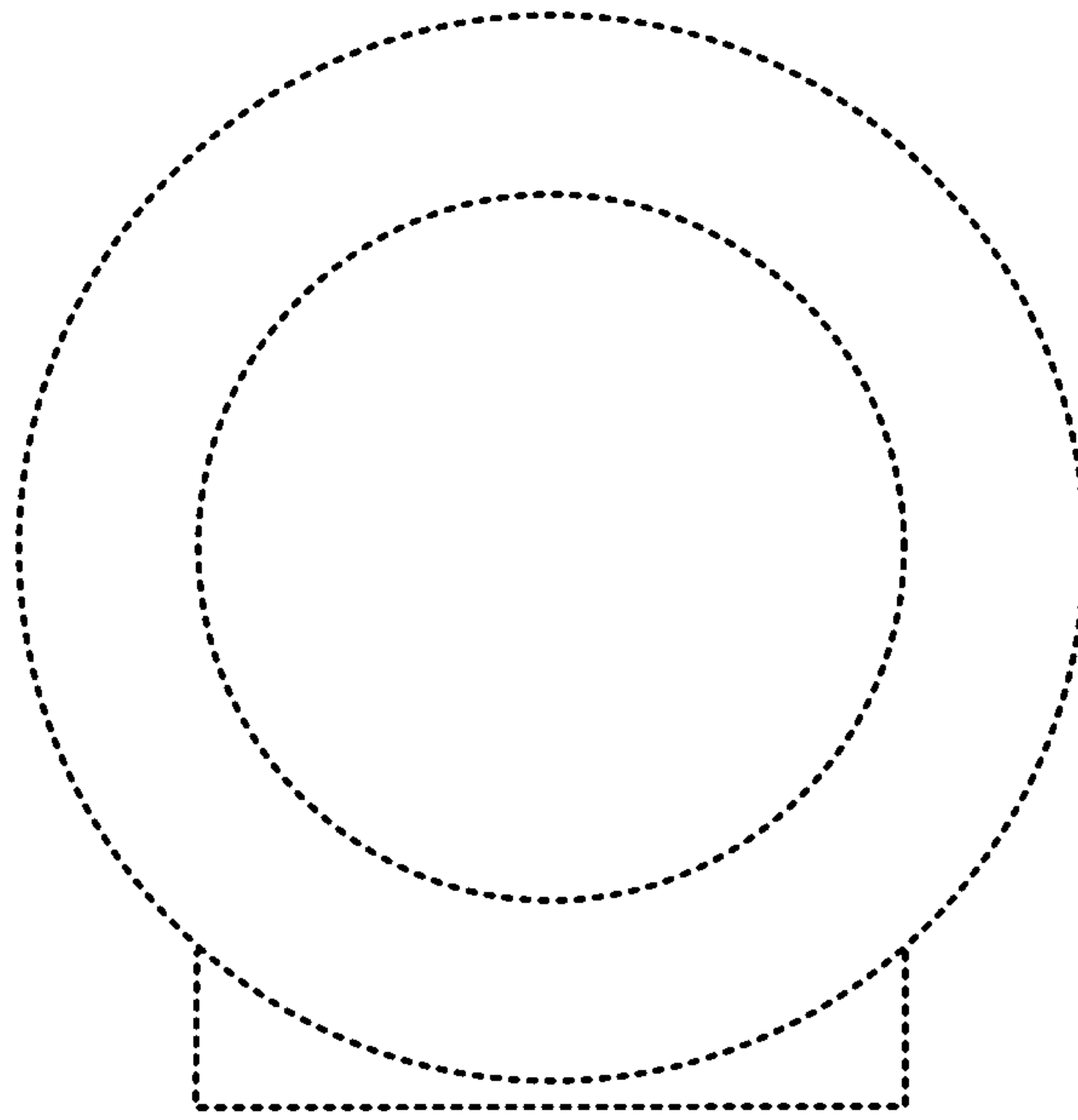
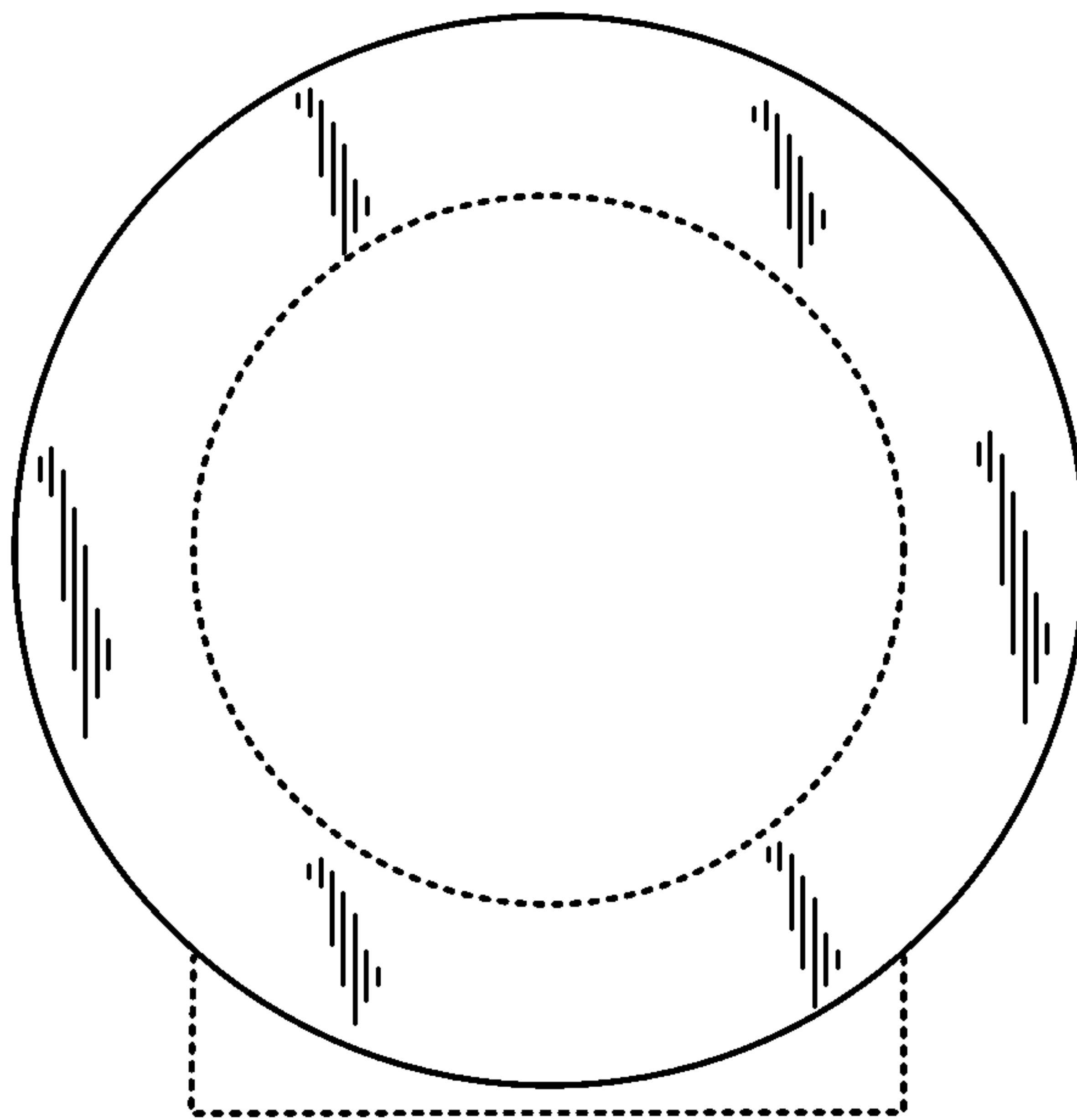


FIG. 1



*FIG. 2*



*FIG. 3*

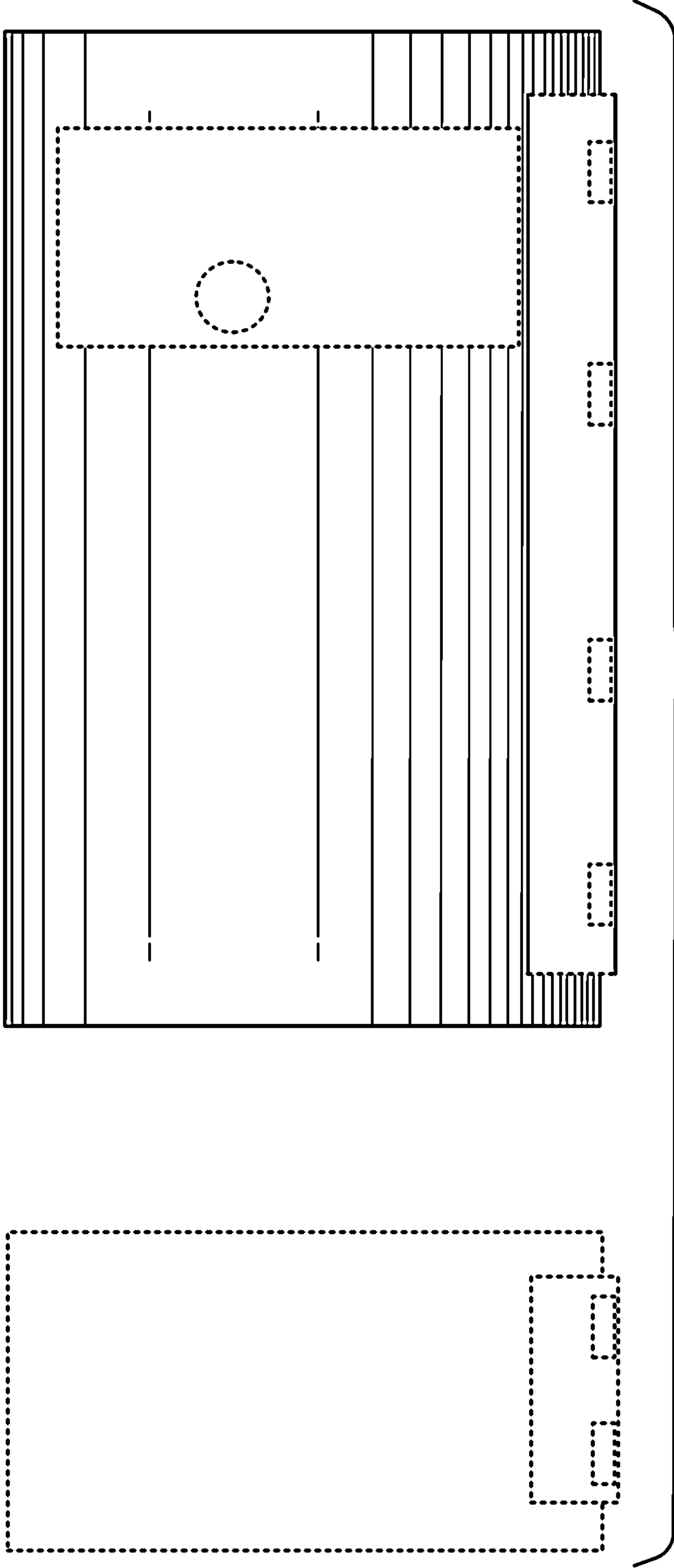
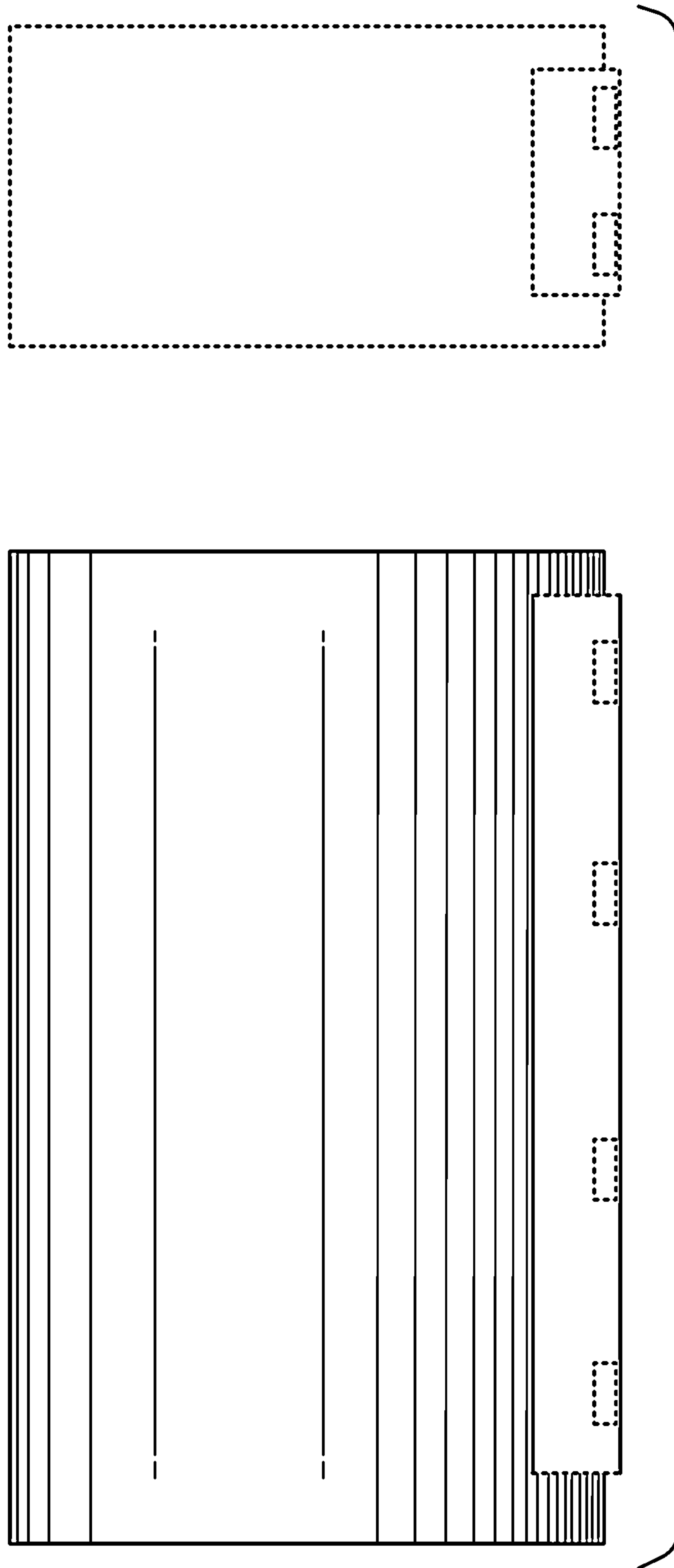


FIG. 4



*FIG. 5*

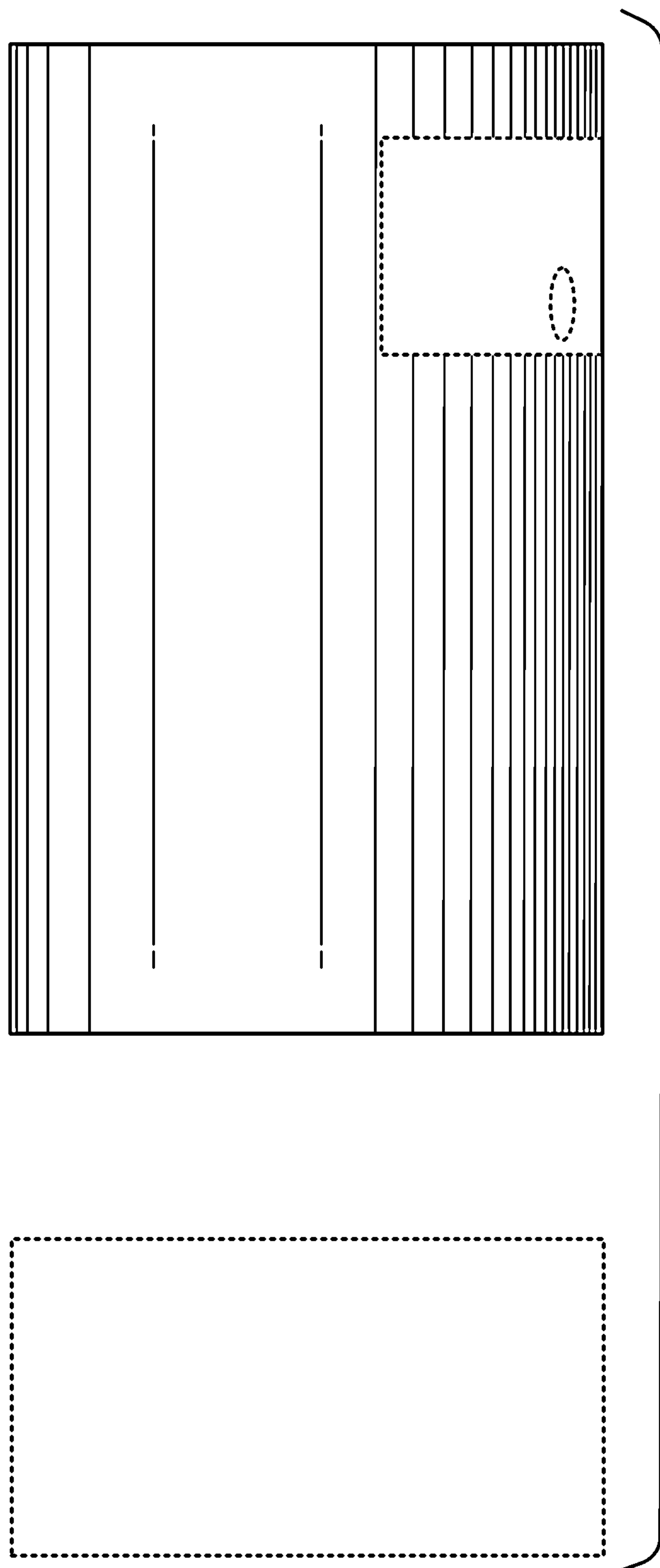


FIG. 6



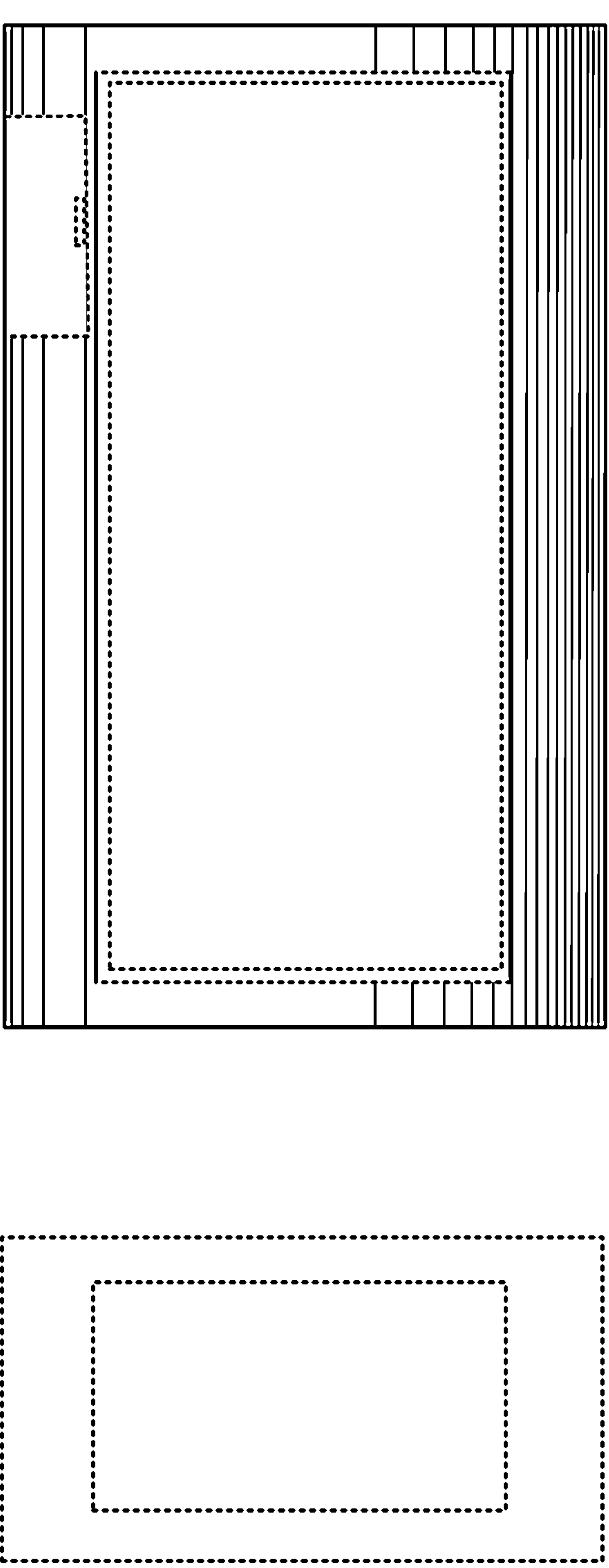


FIG. 7



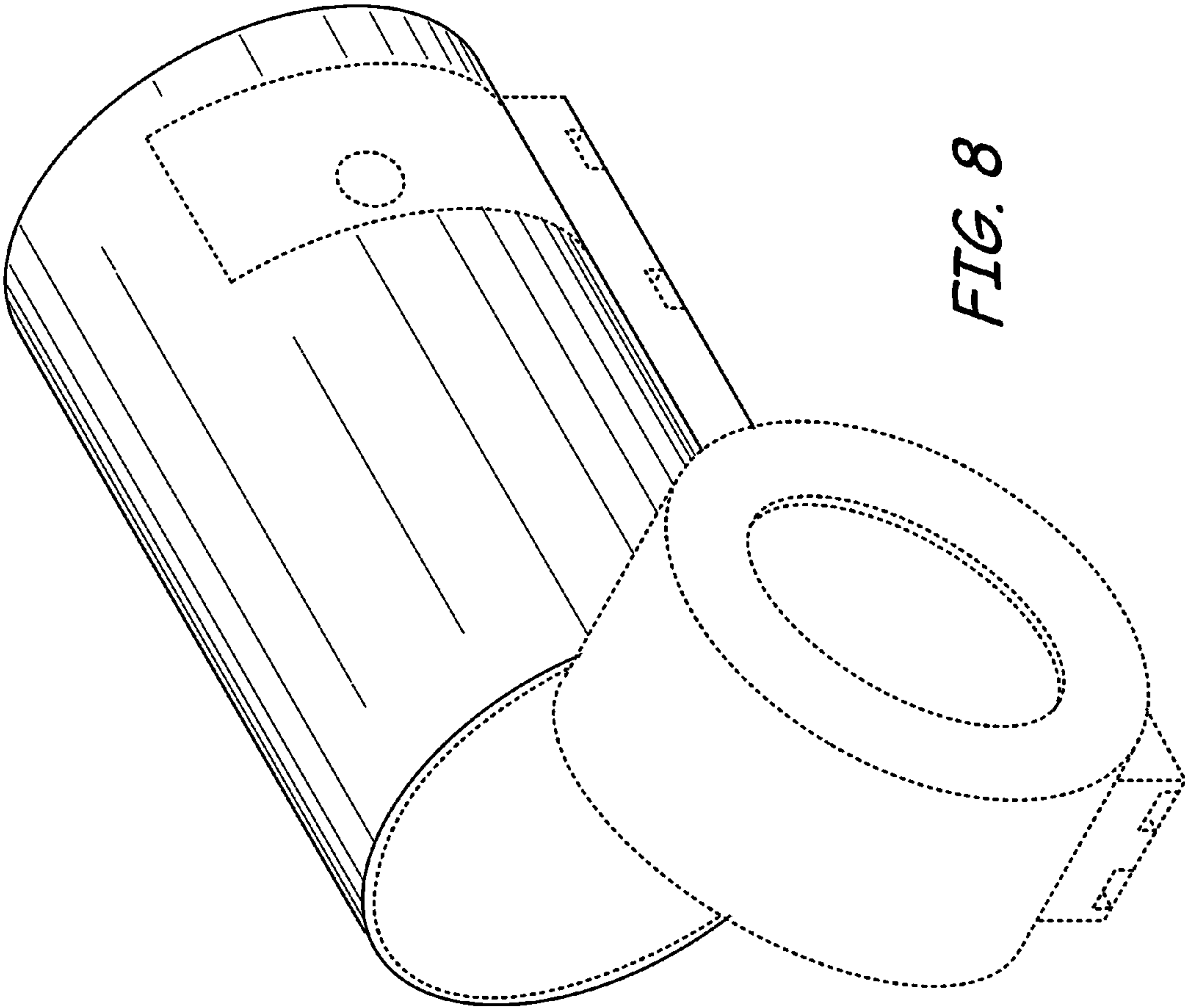
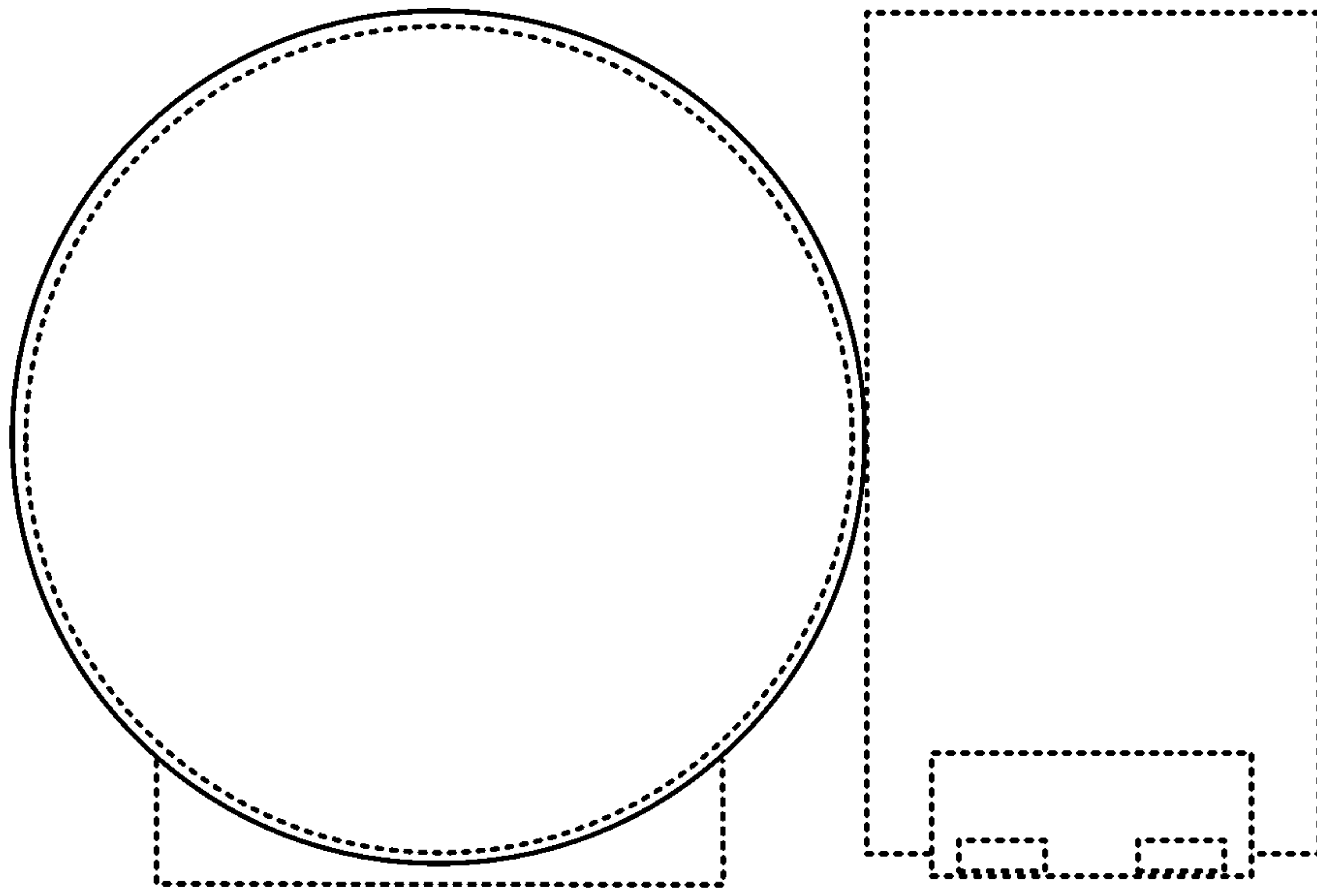
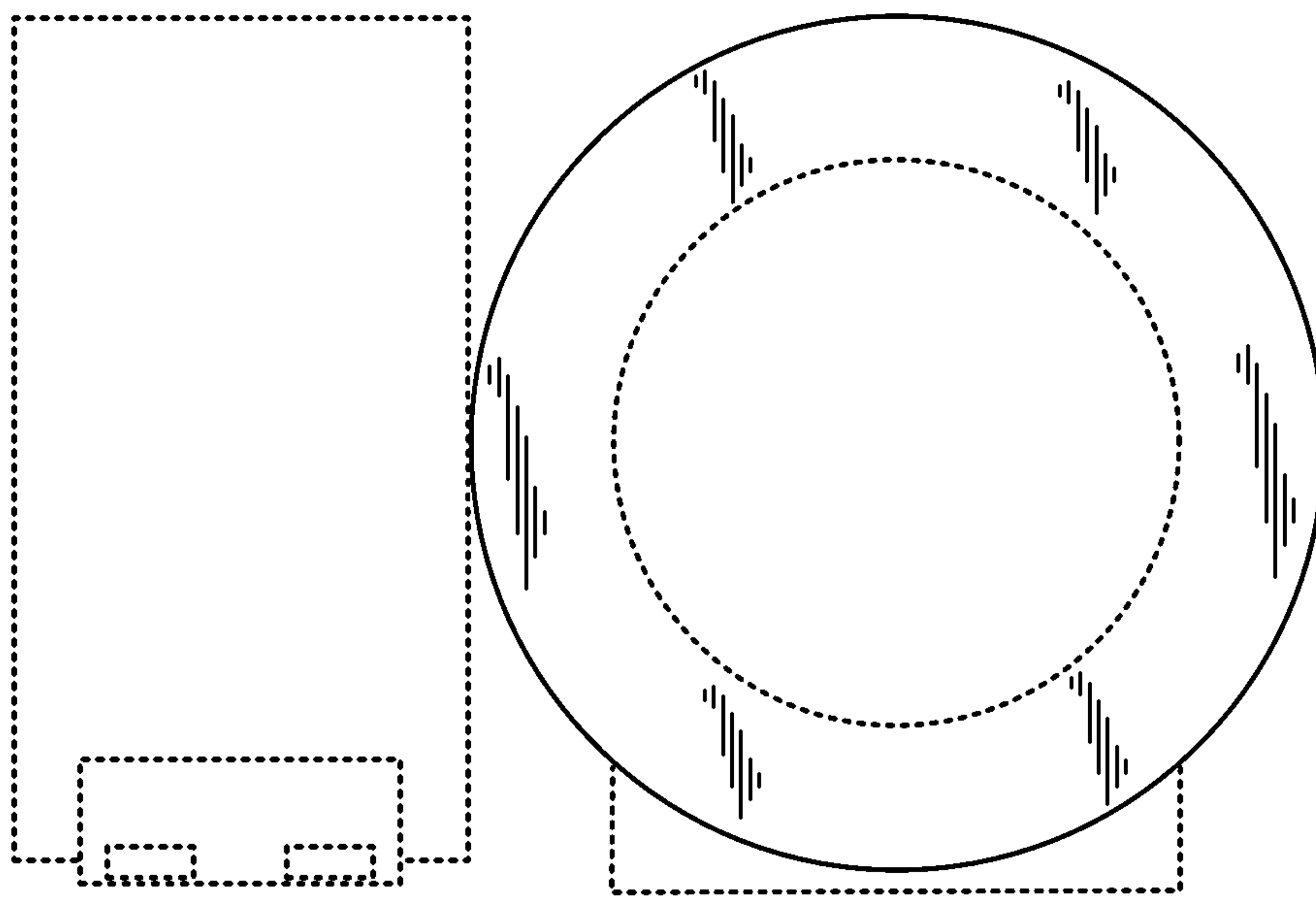


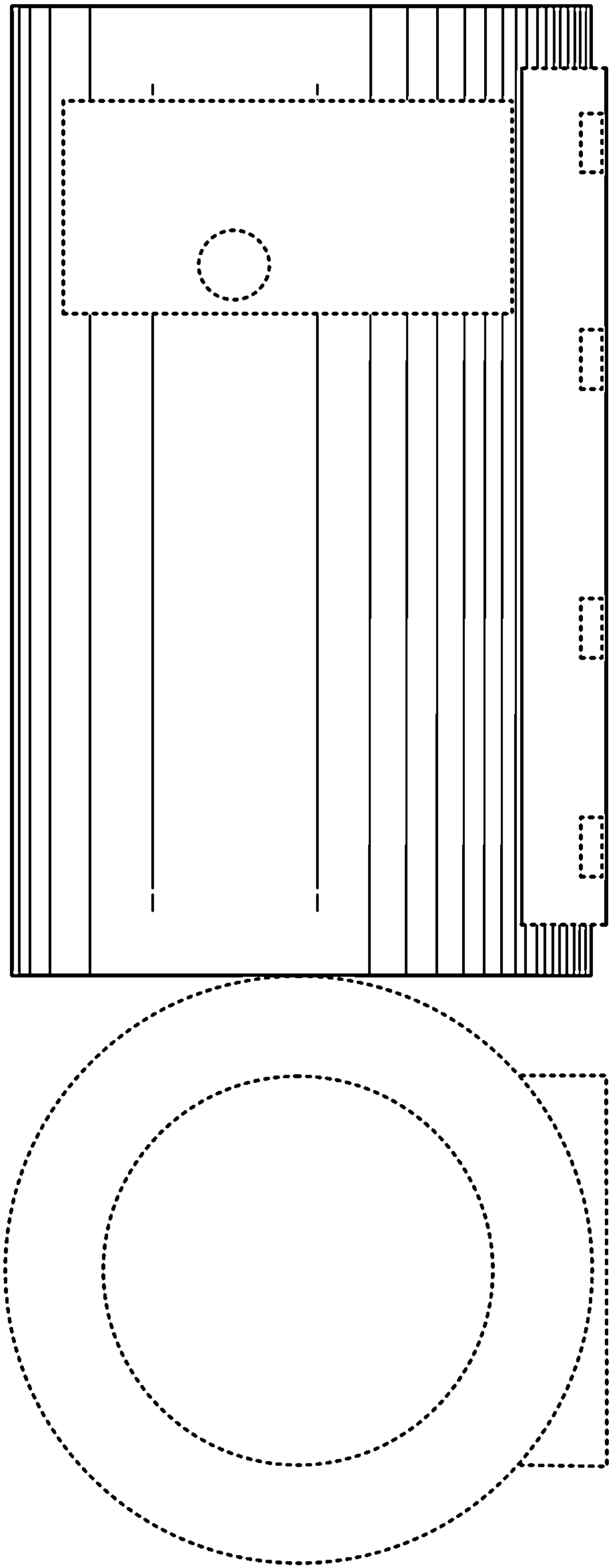
FIG. 8



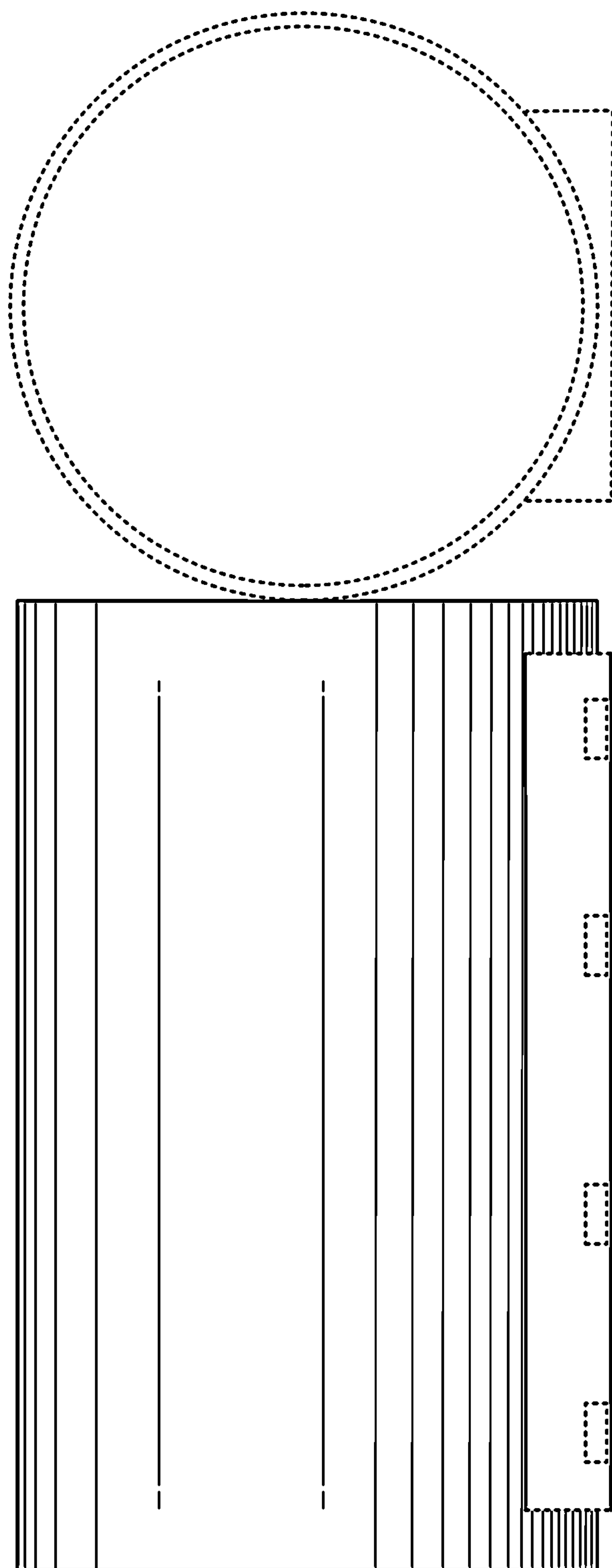
*FIG. 9*



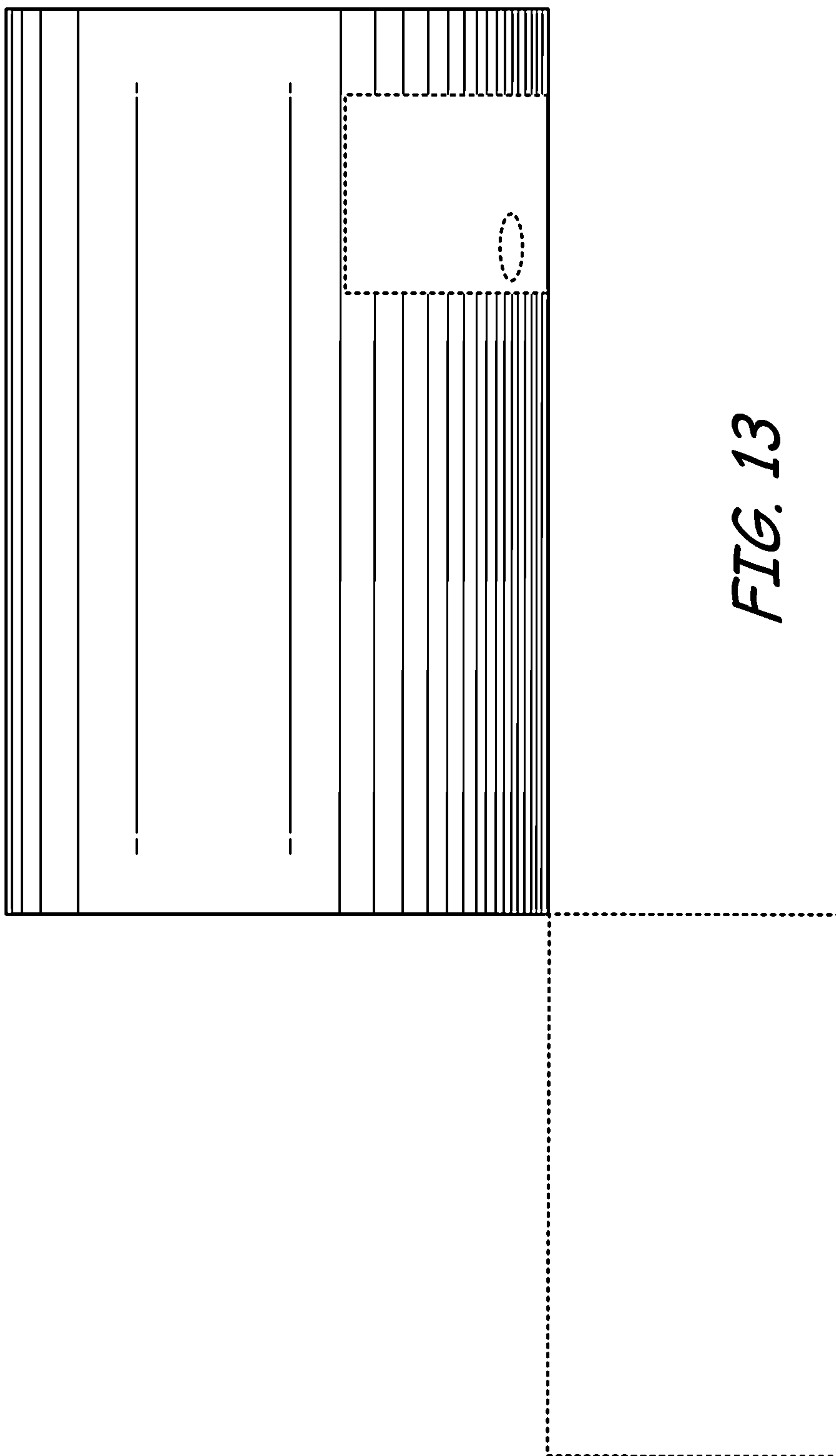
*FIG. 10*



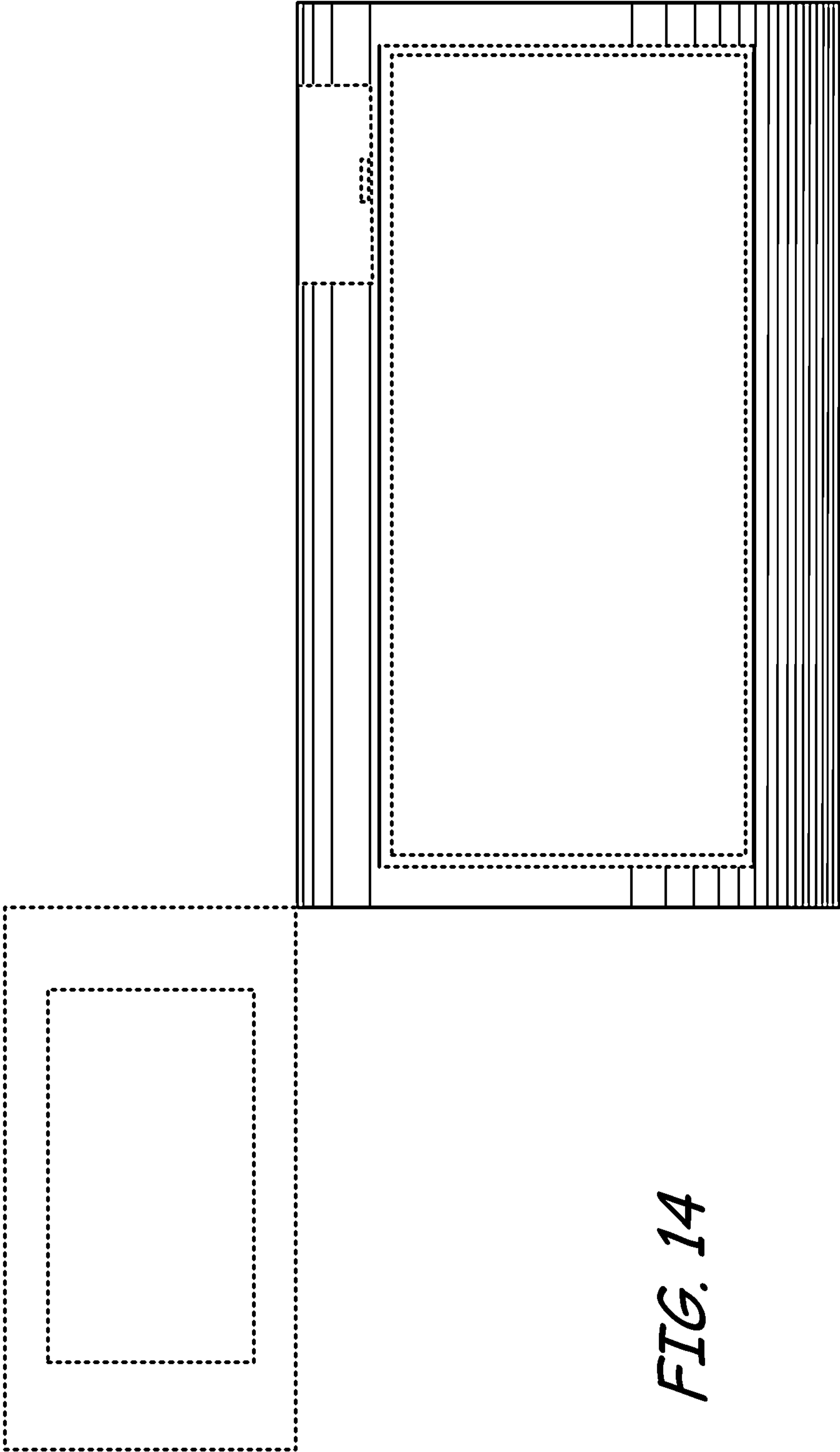
*FIG. 11*



*FIG. 12*



*FIG. 13*



*FIG. 14*