



US00D690433S

(12) **United States Design Patent**
Karpiloff et al.

(10) **Patent No.:** **US D690,433 S**

(45) **Date of Patent:** **** Sep. 24, 2013**

(54) **CLOSURE FOR A SPECIMEN CONTAINER
HAVING AN INDICATOR SURFACE**

FOREIGN PATENT DOCUMENTS

WO 2009111622 A2 9/2009

(75) Inventors: **Kenneth Karpiloff**, Mamaroneck, NY
(US); **Michael Iskra**, Bridgewater, NJ
(US)

OTHER PUBLICATIONS

Portions of product literature catalog commercially available from
Greiner Bio One at www.gbo.com/documents/980042_VACUETTEkatalog_rev04_0609_small_e.pdf.

(73) Assignee: **Becton, Dickinson and Company**,
Franklin Lakes, NJ (US)

(Continued)

(**) Term: **14 Years**

Primary Examiner — Anhdao Doan

(74) *Attorney, Agent, or Firm* — The Webb Law Firm

(21) Appl. No.: **29/383,764**

(57) **CLAIM**

The ornamental design for a closure for a specimen container
having an indicator surface, as shown and described.

(22) Filed: **Jan. 21, 2011**

DESCRIPTION

Related U.S. Application Data

(62) Division of application No. 29/354,345, filed on Jan.
22, 2010, now Pat. No. Des. 634,024.

FIG. 1 is a perspective view of a closure for a specimen
container having an indicator surface, shown with a collection
container representing environmental subject matter in accord-
ance with the present invention;

(51) **LOC (9) Cl.** **24-01**

(52) **U.S. Cl.**
USPC **D24/224**

FIG. 2 is another perspective view thereof, shown without the
environment;

(58) **Field of Classification Search**
USPC D24/216-232; D10/81; 422/500,
422/547, 549, 556, 557, 558; 435/287.1,
435/288.1; D3/201, 203.1, 203.2; D9/435,
D9/441, 444, 445, 451, 503, 504, 505, 529;
215/224; 220/796

FIG. 3 is an enlarged fragmental cross-section view thereof
taken along line 3-3 in FIG. 2;

FIG. 4 is a top view thereof;

FIG. 5 is a front view thereof, the rear view being a mirror
image;

FIG. 6 is a left side view thereof, the right side view being a
mirror image; and,

FIG. 7 is a bottom view thereof.

See application file for complete search history.

The surface shading contrast between the top surface of the
closure and the surface shading visible through the indicia is
intended to represent color contrast.

The broken line showing the tube in FIG. 1 represents the
environmental subject matter. All other broken lines are
included for the purpose of illustrating portions of the closure
that form no part of the claimed design. None of the broken
lines form a part of the claimed design.

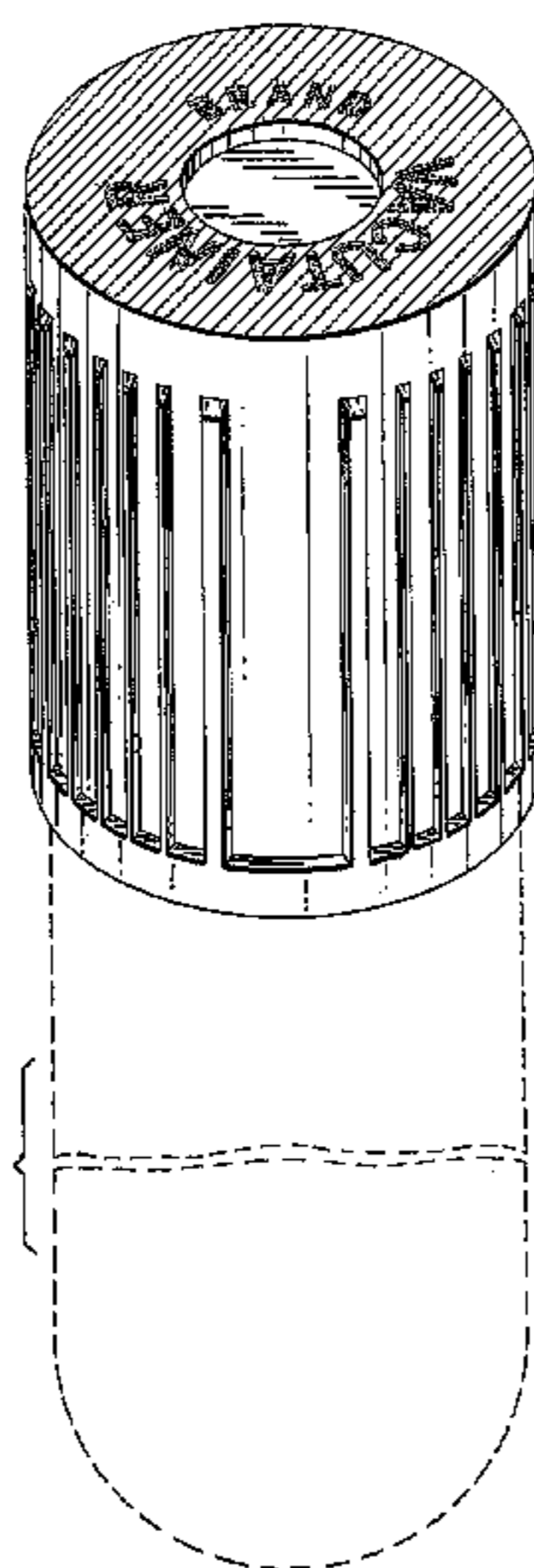
(56) **References Cited**

U.S. PATENT DOCUMENTS

4,411,163	A	10/1983	White
4,576,185	A	3/1986	Proud et al.
D285,115	S	8/1986	Proud et al.
5,038,794	A	8/1991	Van Valkenburg
5,288,466	A	2/1994	Burns
5,384,096	A	1/1995	Burns

(Continued)

1 Claim, 4 Drawing Sheets



(56)

References Cited

U.S. PATENT DOCUMENTS

D356,643 S 3/1995 Burns
 D357,985 S 5/1995 Burns
 5,458,113 A 10/1995 Burns
 5,458,854 A 10/1995 Burns
 5,494,170 A 2/1996 Burns
 5,527,513 A 6/1996 Burns
 5,552,117 A 9/1996 Burns
 5,672,321 A 9/1997 Daykin
 5,699,923 A 12/1997 Burns
 5,711,875 A 1/1998 Kayal et al.
 5,738,233 A 4/1998 Burns
 D404,303 S * 1/1999 Webster D9/454
 D419,071 S * 1/2000 Peters et al. D9/449
 D425,625 S 5/2000 Niermann
 6,056,925 A 5/2000 Sarstedt
 6,221,655 B1 4/2001 Fung et al.
 D445,908 S * 7/2001 Conway D24/224
 6,358,476 B1 3/2002 Innamorato et al.
 6,426,049 B1 7/2002 Rosen et al.
 D470,051 S * 2/2003 Bloom et al. D9/443
 6,551,267 B1 4/2003 Cohen et al.
 6,562,300 B2 5/2003 Rosen et al.
 6,602,206 B1 * 8/2003 Niermann et al. 600/573
 D481,801 S * 11/2003 Whitley D24/224
 D481,948 S * 11/2003 Brozell et al. D9/453
 D490,707 S * 6/2004 Mataya D24/224

D545,207 S * 6/2007 De Baschmakoff D9/545
 D616,746 S * 6/2010 Stull et al. D9/452
 D621,522 S * 8/2010 Wilkinson D24/224
 2001/0020607 A1 * 9/2001 Chiarin 215/247
 2002/0156439 A1 10/2002 Iskra
 2009/0308184 A1 12/2009 Blekher et al.

OTHER PUBLICATIONS

Product insert commercially available from Becton, Dickinson and Company for BD Microtainer Chemistry Tubes.
 Product insert commercially available from Becton, Dickinson and Company for BD Capillary Collection, 2004.
 Product insert commercially available from Becton, Dickinson and Company for BD Microtainer Plasma Separator Tube, 2000.
 Product insert commercially available from Becton, Dickinson and Company for BD Microtainer Tubes with BD Microgard Closure, 2003.
 Product insert commercially available from Becton, Dickinson and Company for BD Microtainer Tubes with Microgard Closure—Tube Guide and Order of Draw, 2003.
 Product insert commercially available from Becton, Dickinson and Company for BD Microtainer Tubes—Tube Guide and Order of Draw, 2003.
 Product insert commercially available from Terumo for Venosafe.
 Product Literature commercially available from Greiner Bio One at www.gbo.com/documents/V01_Tube_Guide_000502_e.pdf.

* cited by examiner

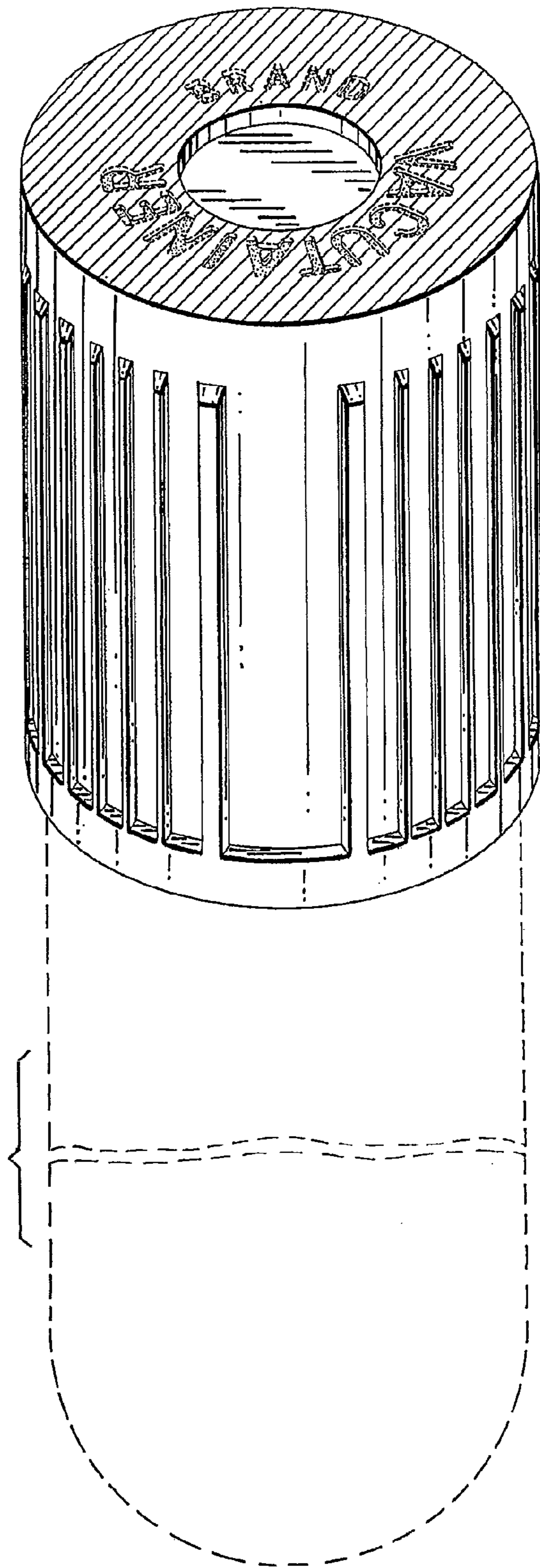


FIG. 1

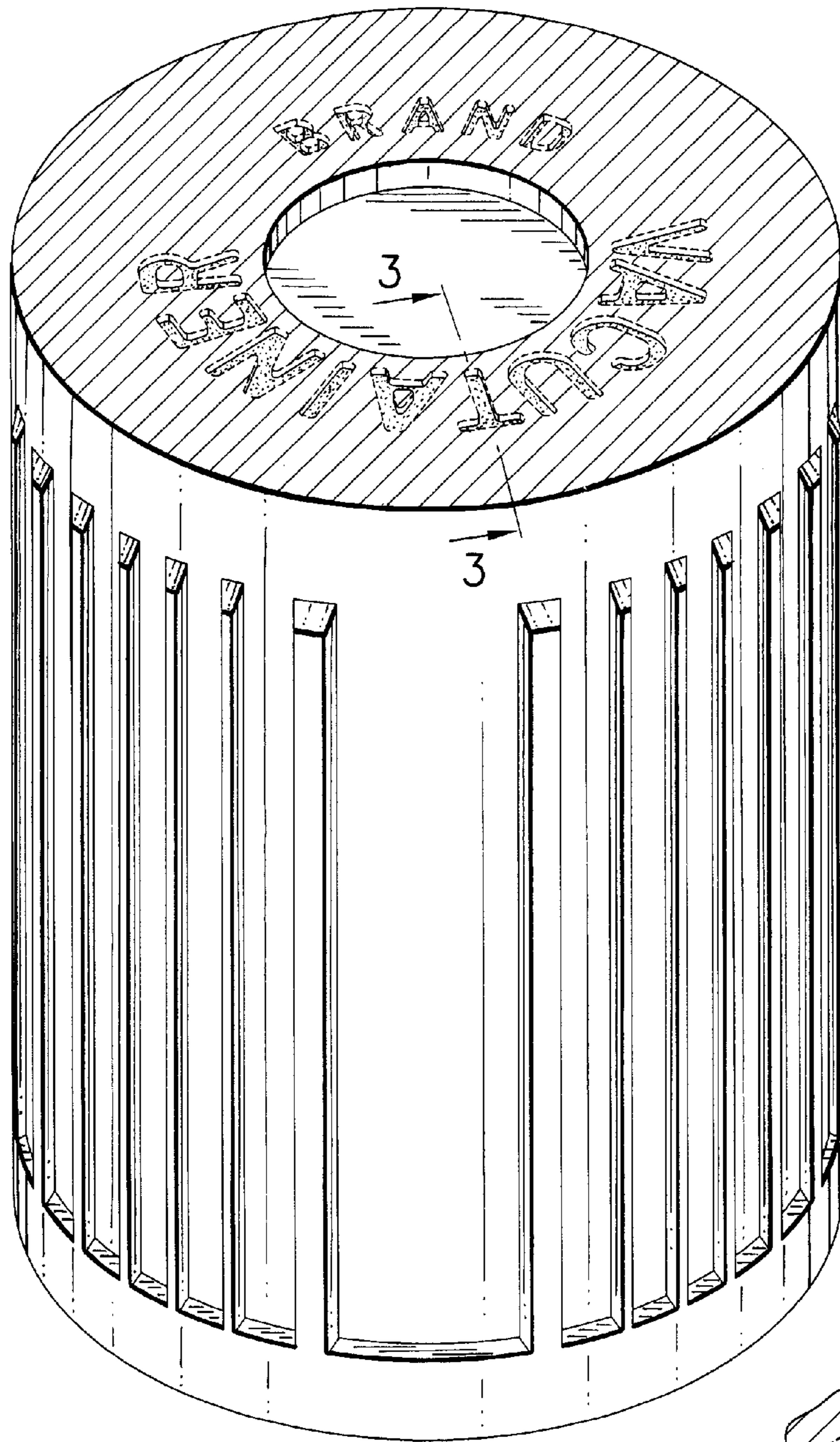


FIG. 2

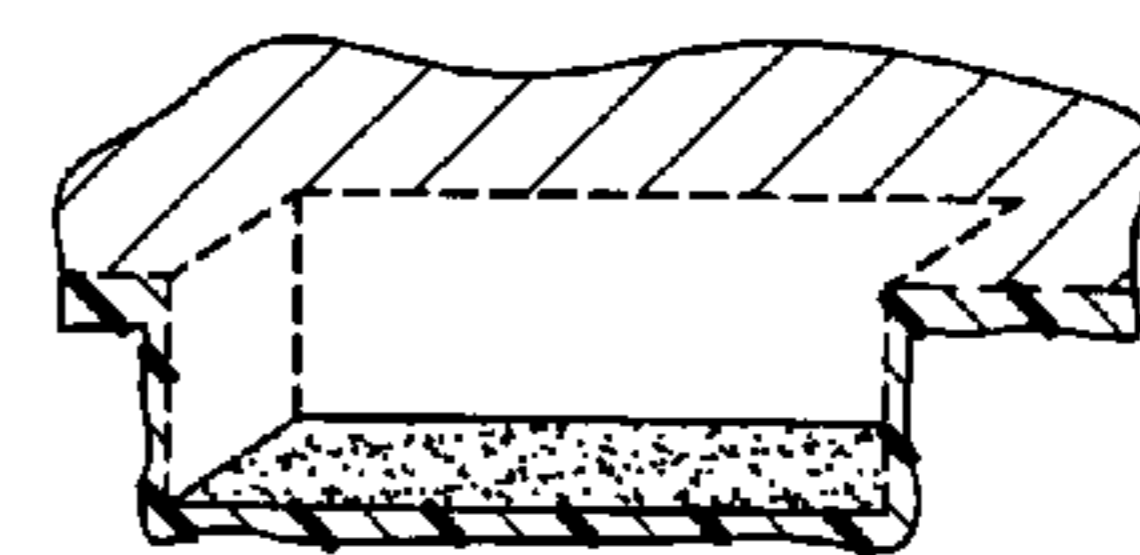


FIG. 3

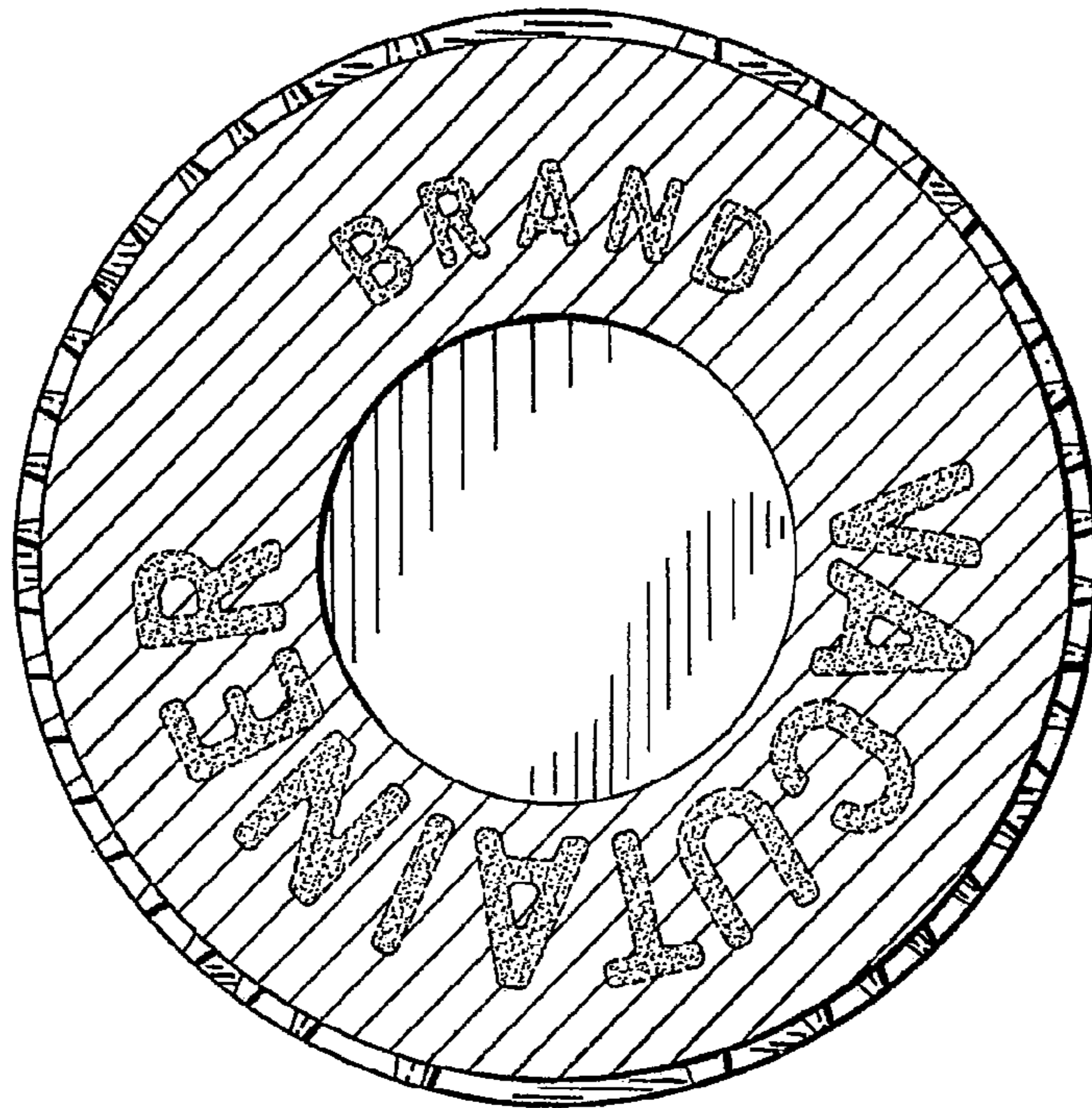


FIG. 4

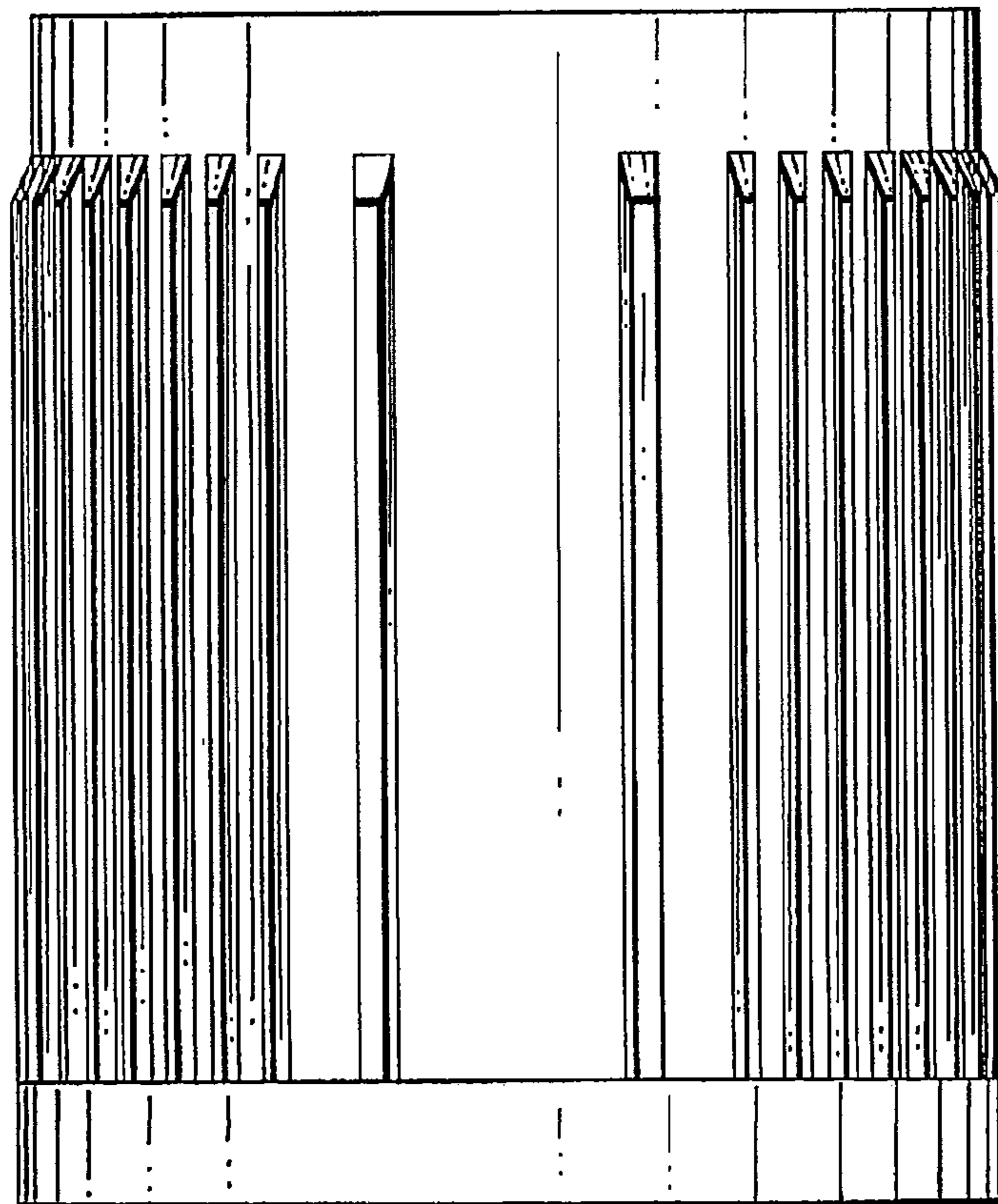


FIG. 5

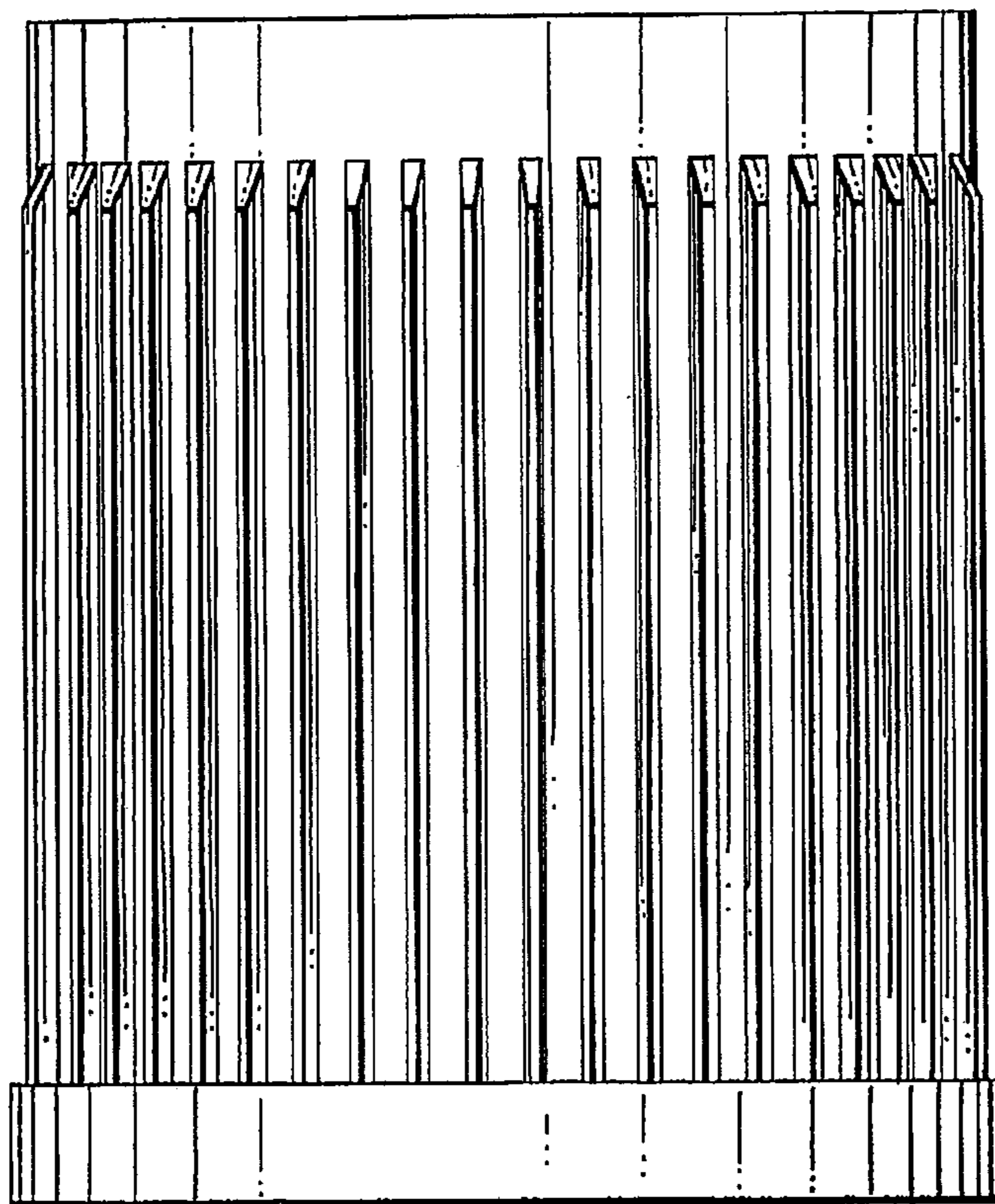


FIG. 6

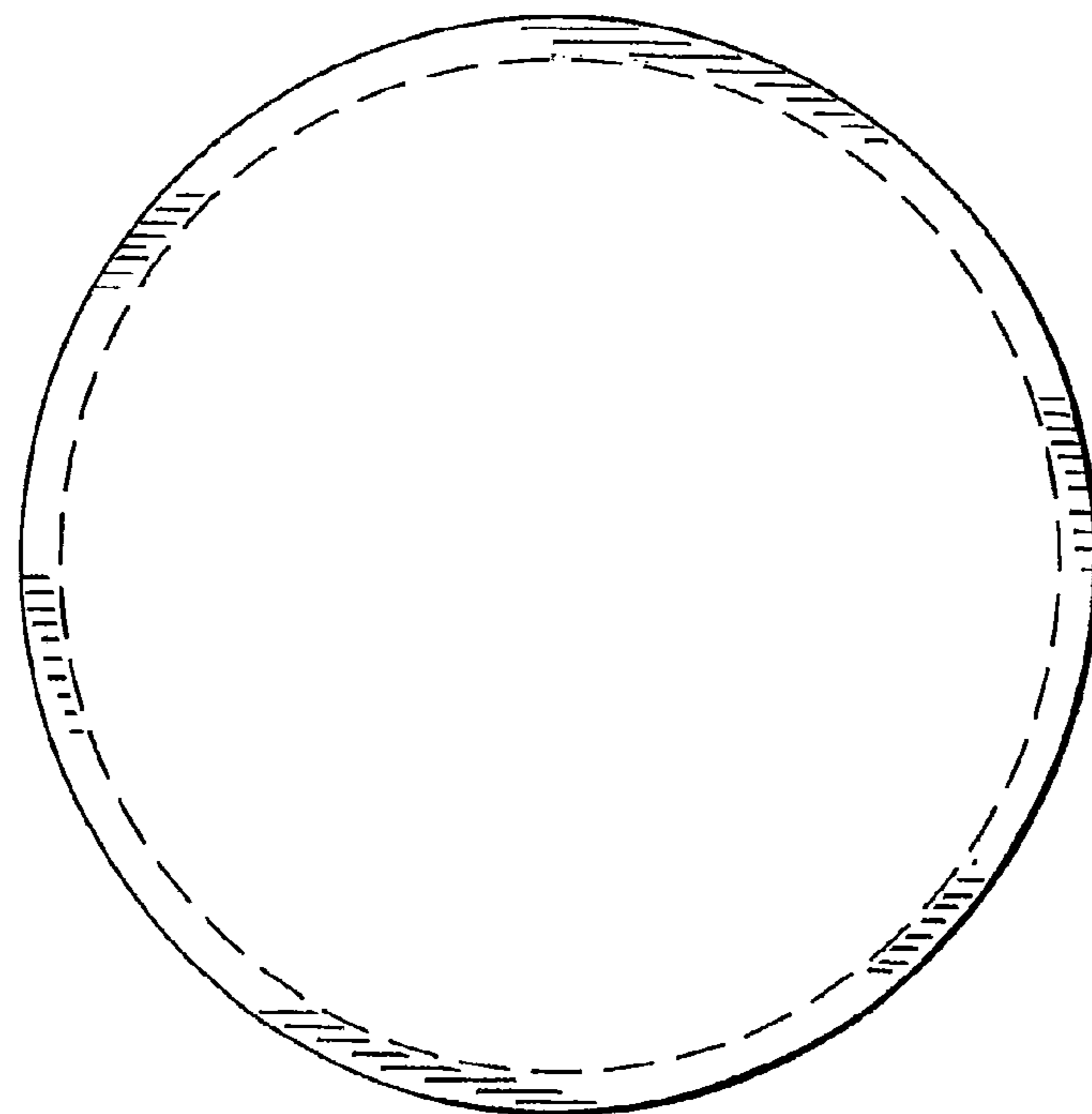


FIG. 7