



US00D690429S

(12) **United States Design Patent**
Harder

(10) **Patent No.:** **US D690,429 S**

(45) **Date of Patent:** **** Sep. 24, 2013**

- (54) **SPA JET DESIGN**
- (71) Applicant: **LMI Roto, LLC**, Lake Mary, FL (US)
- (72) Inventor: **Gary Harder**, Lake Mary, FL (US)
- (73) Assignee: **LMI IP, LLC**, Winter Park, FL (US)
- (**) Term: **14 Years**
- (21) Appl. No.: **29/434,431**
- (22) Filed: **Oct. 12, 2012**
- (51) **LOC (9) Cl.** **23-02**
- (52) **U.S. Cl.**
USPC **D24/204**
- (58) **Field of Classification Search**
USPC D24/201, 204, 205; D23/277, 260,
D23/261; 4/541.1-541.6, 547, 578.1, 579,
4/492
See application file for complete search history.

D574,964 S *	8/2008	Holtsnider et al.	D24/201
D591,863 S *	5/2009	Holtsnider et al.	D24/204
D608,009 S *	1/2010	Vogtner et al.	D24/204
D619,203 S *	7/2010	Mazzei	D24/201
D621,009 S *	8/2010	Mjelde et al.	D23/261
D655,820 S *	3/2012	Thomas	D24/204
D673,244 S *	12/2012	Magargal et al.	D23/260
D673,246 S *	12/2012	Lee	D23/260

* cited by examiner

Primary Examiner — David Muller

(74) *Attorney, Agent, or Firm* — Larson & Larson, P.A.;
Frank Liebenow; Justin P. Miller

(57) **CLAIM**

I claim the ornamental design for a spa jet design, as shown and described.

DESCRIPTION

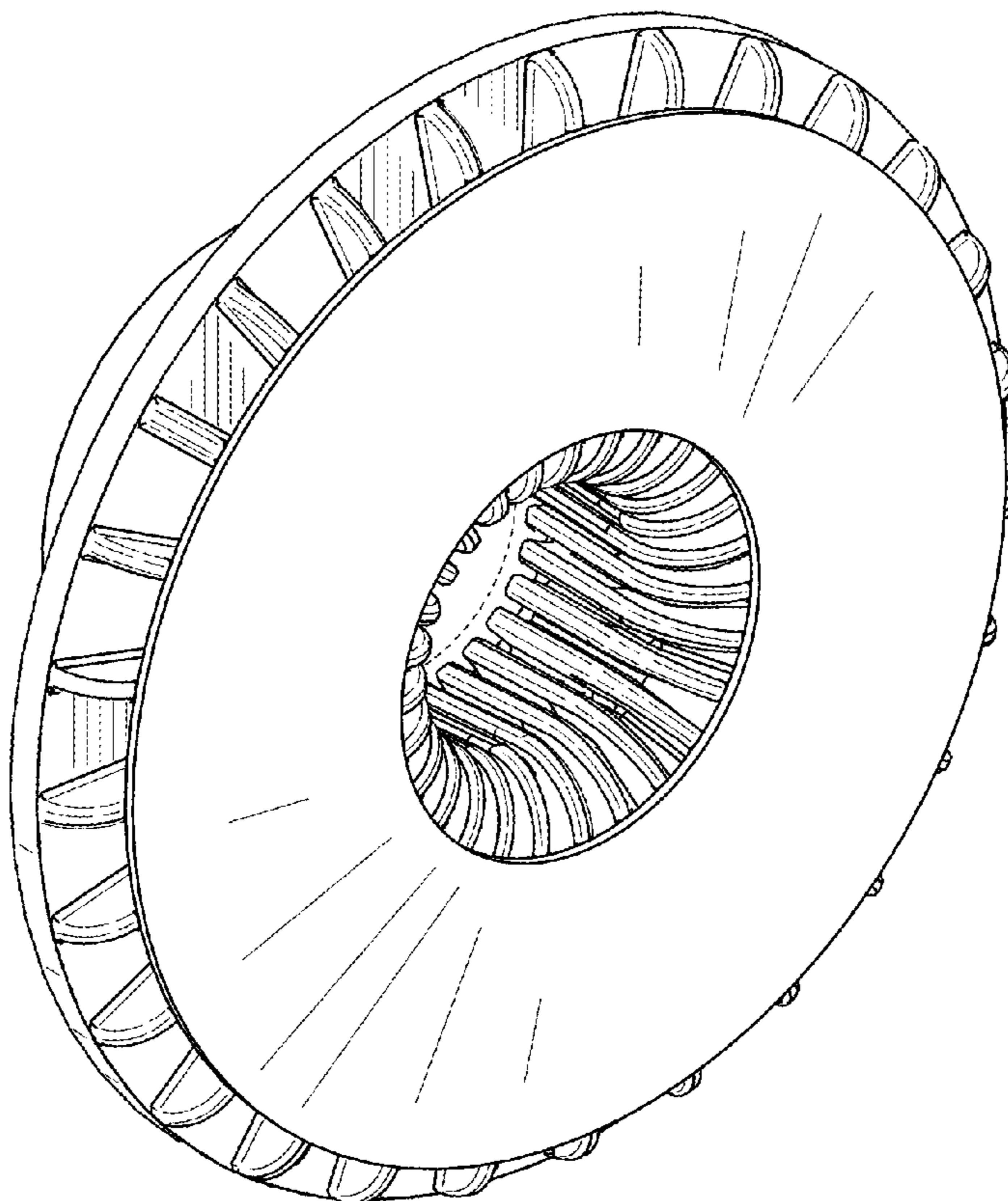
FIG. 1 is a front elevation view of the spa jet design showing my new design;
 FIG. 2 is a rear elevation view thereof;
 FIG. 3 is a right side elevation view thereof, the left side, top and bottom are identical;
 FIG. 4 is a front perspective view thereof; and,
 FIG. 5 is a rear perspective view thereof.
 The broken lines depicting internal surfaces of the spa jet in FIG. 1 and FIG. 4 are for illustrative purposes only and form no part of the claimed design.

1 Claim, 5 Drawing Sheets

(56) **References Cited**

U.S. PATENT DOCUMENTS

5,029,879 A *	7/1991	Strang et al.	277/606
D428,155 S *	7/2000	Chalberg et al.	D24/204
D530,018 S *	10/2006	Loyd	D24/201
D531,730 S *	11/2006	Loyd	D24/201
D574,501 S *	8/2008	Holtsnider et al.	D24/201



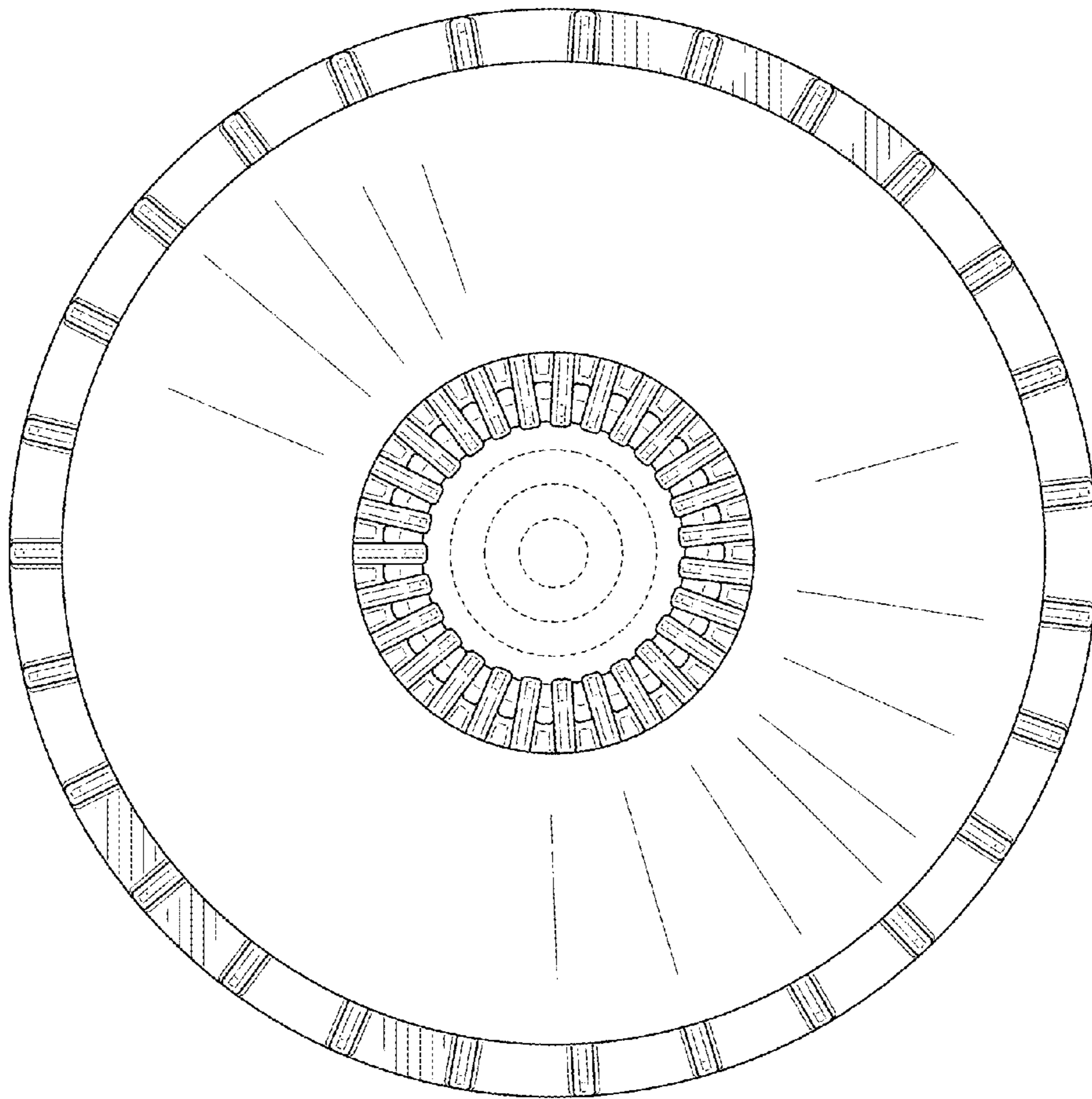


FIG. 1

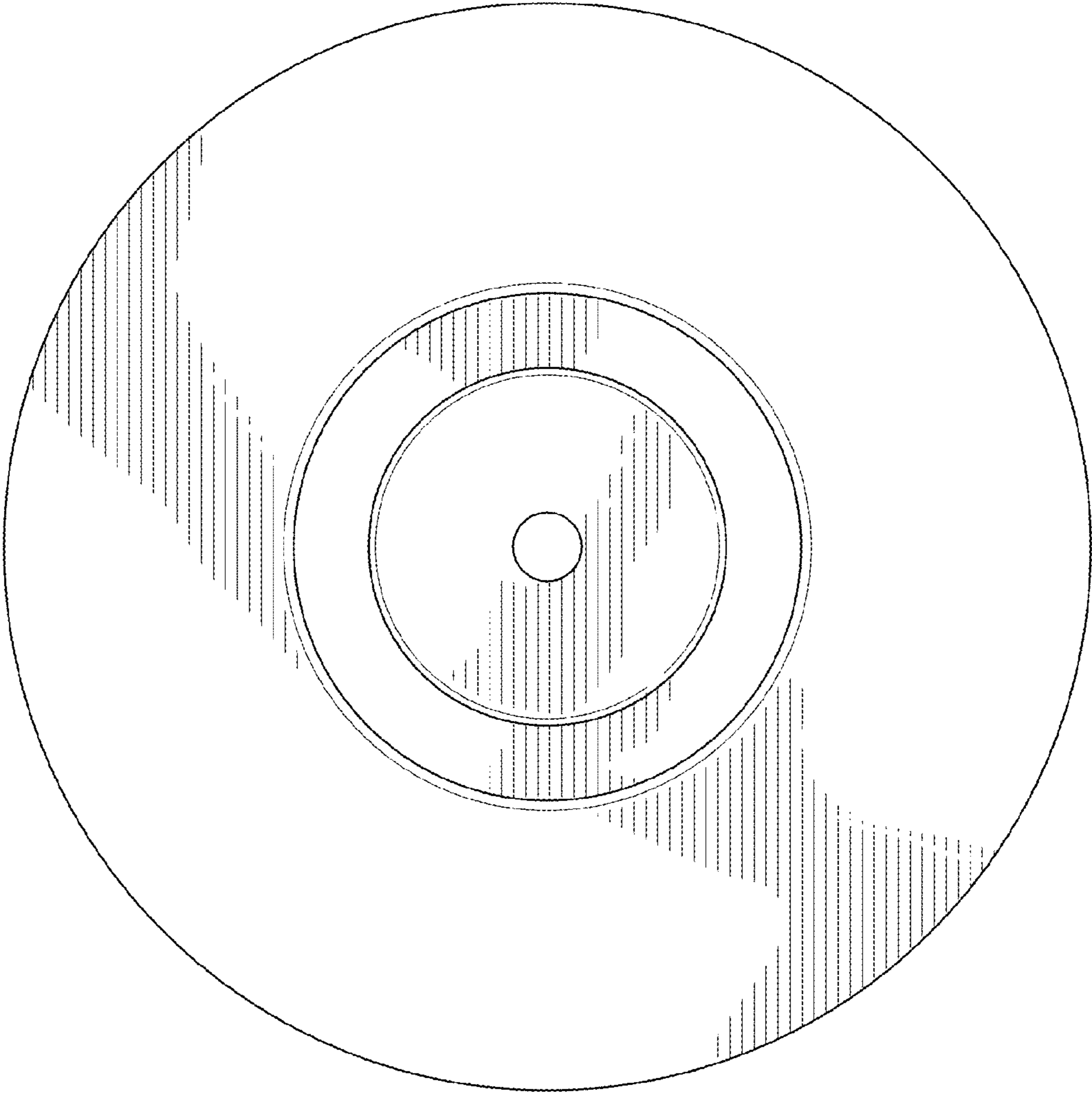


FIG. 2

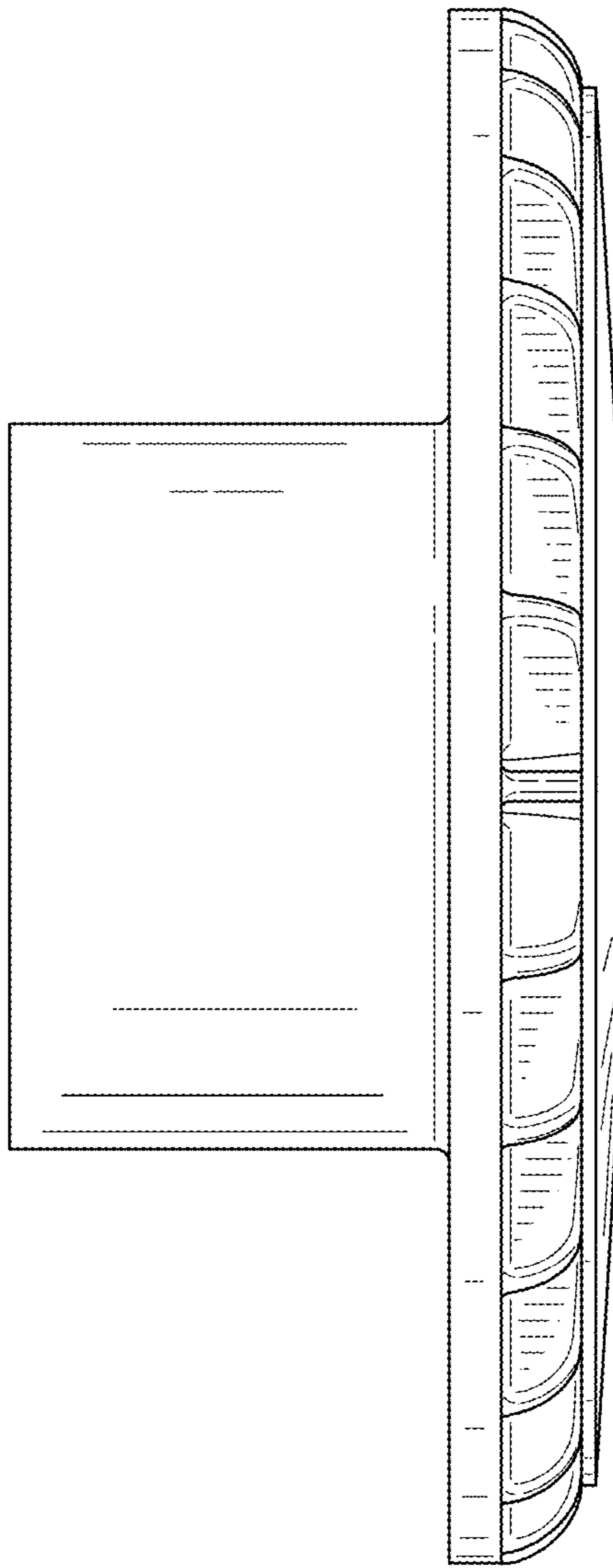


FIG. 3

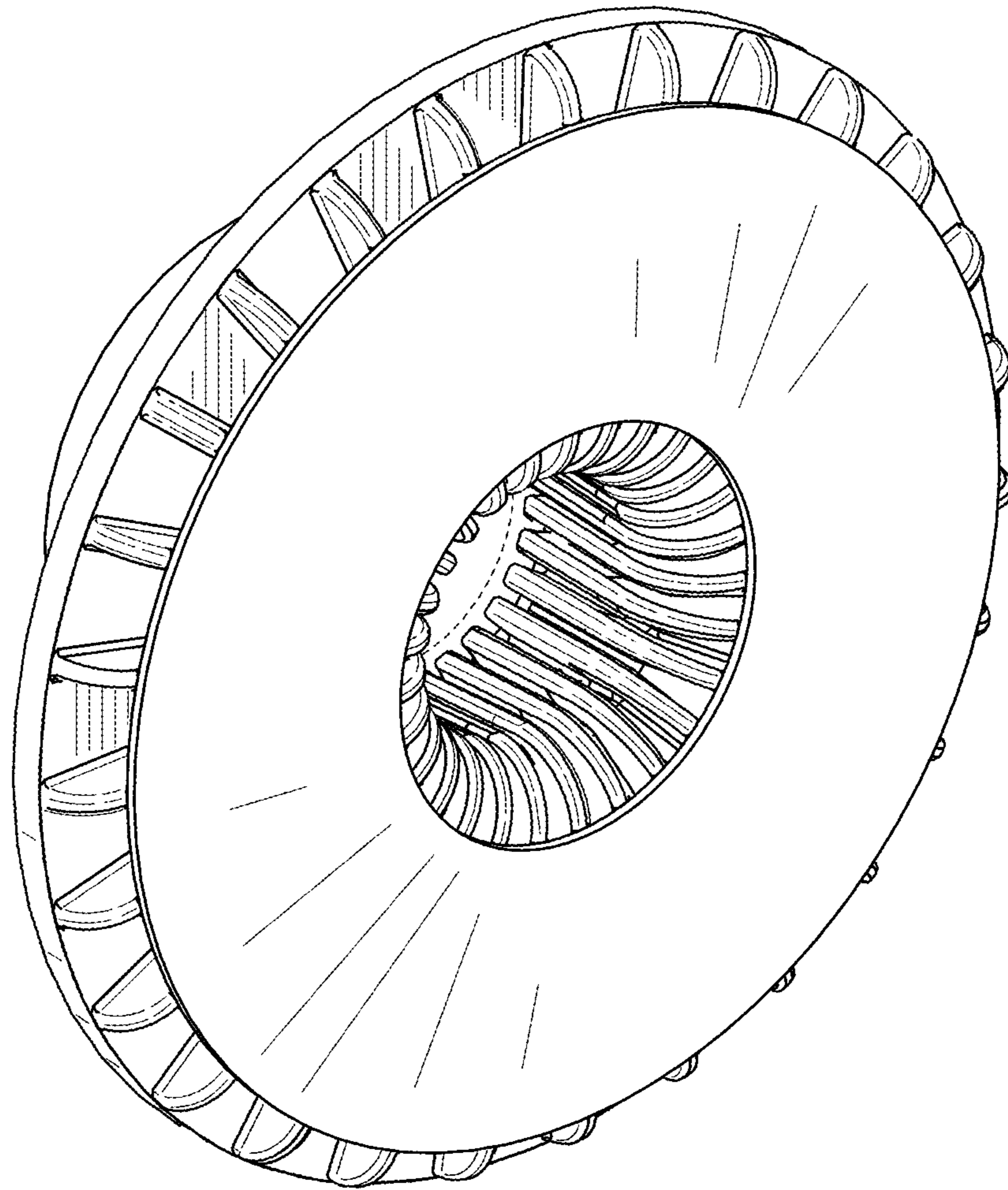


FIG. 4

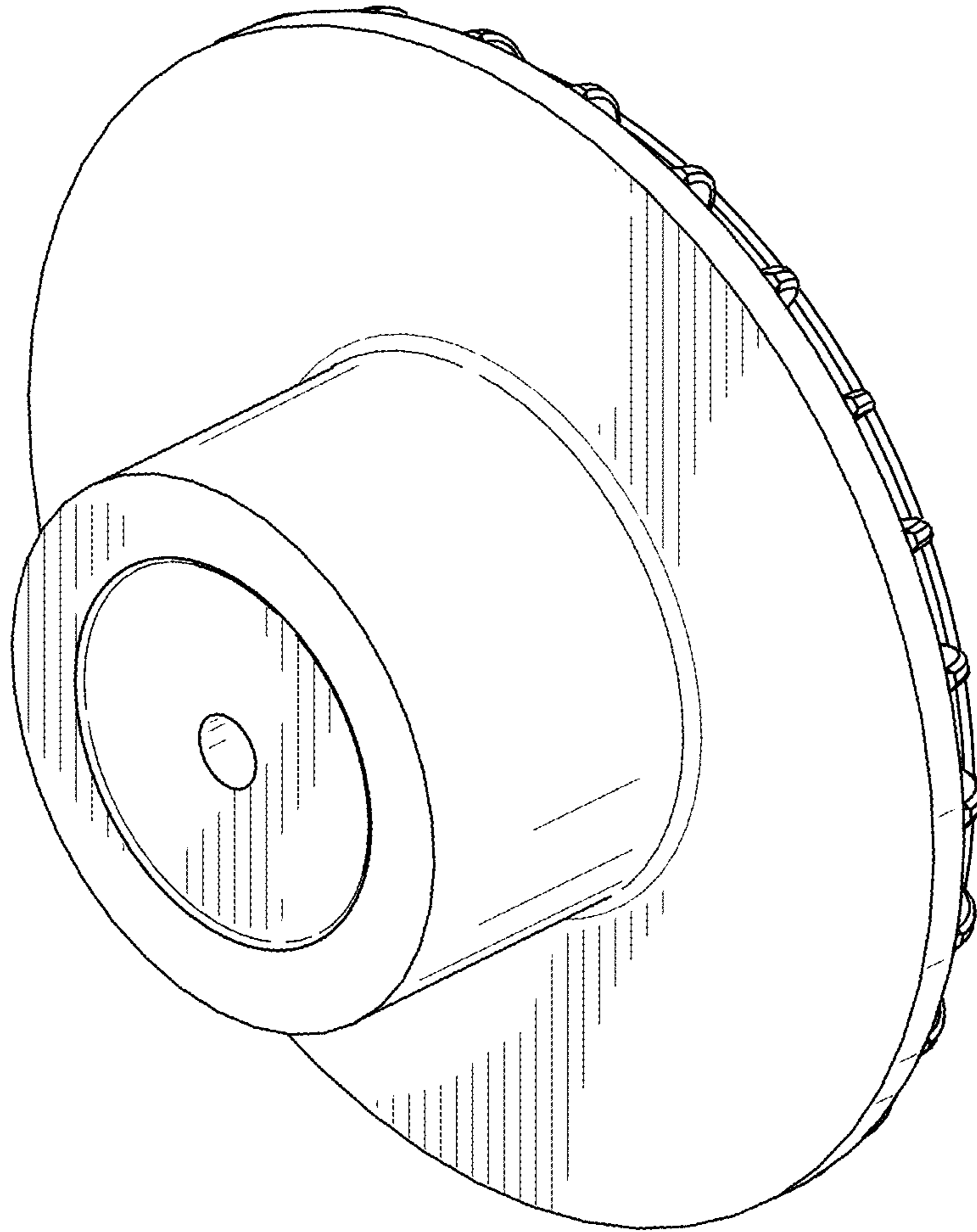


FIG. 5