



US00D690428S

(12) **United States Design Patent**
Blaine et al.

(10) **Patent No.:** **US D690,428 S**

(45) **Date of Patent:** **** Sep. 24, 2013**

(54) **HANDLE FOR VIBRATING ANESTHESIA DEVICE**

(71) Applicant: **Blaine Laboratories, Inc.**, Santa Fe Spring, CA (US)

(72) Inventors: **Robert C. Blaine**, Buena Park, CA (US); **Ashley S. Tilling**, San Juan Capistrano, CA (US)

(73) Assignee: **Blaine Laboratories, Inc.**, Santa Fe Springs, CA (US)

(**) Term: **14 Years**

(21) Appl. No.: **29/446,200**

(22) Filed: **Feb. 21, 2013**

Related U.S. Application Data

(63) Continuation of application No. 12/874,569, filed on Sep. 2, 2010, now Pat. No. 8,449,482.

(51) **LOC (9) Cl.** **23-02**

(52) **U.S. Cl.**
USPC **D24/200**

(58) **Field of Classification Search**
USPC D24/210, 209, 200, 158, 176, 144, D24/133, 147; 362/555, 545, 800, 294, 249, 362/267; D26/29, 37, 39, 41, 104; 606/2-4, 606/16, 131; 607/88-95; 433/29; 128/203.12, 128/203.27; 604/279, 112; 601/15, 46, 72, 601/80

See application file for complete search history.

(56) **References Cited**

U.S. PATENT DOCUMENTS

4,619,612 A * 10/1986 Weber et al. 433/29
D324,914 S * 3/1992 Bucher D24/206

D331,288 S 11/1992 Yuen
5,171,225 A 12/1992 Sterrett
D339,419 S 9/1993 Hood et al.
D344,801 S 3/1994 Hughes et al.
D360,036 S 7/1995 Doria
D362,067 S 9/1995 Chang
D374,932 S 10/1996 Engelman
D414,582 S * 9/1999 Hwang D24/200
D438,979 S 3/2001 Gomes et al.
6,463,928 B1 10/2002 Buisson
D474,843 S * 5/2003 McQueen D24/215
D500,854 S * 1/2005 Eichel D24/133
D508,296 S 8/2005 Dibnah et al.
D533,943 S * 12/2006 Chen D24/214
D538,430 S * 3/2007 Ohta D24/146
D558,396 S 12/2007 Sierra et al.
D609,361 S 2/2010 McGarry et al.

(Continued)

Primary Examiner — David Muller

(74) *Attorney, Agent, or Firm* — McKee, Voorhees & Sease, P.L.C.

(57) **CLAIM**

We claim the ornamental design for a handle for vibrating anesthesia device, substantially as shown and described.

DESCRIPTION

FIG. 1 is a perspective view of the vibrating anesthesia device handle of the present invention.

FIG. 2 is a rear perspective view of the handle.

FIG. 3 is a left side elevation view of the handle.

FIG. 4 is a right side elevation view of the handle.

FIG. 5 is a rear elevation view of the handle.

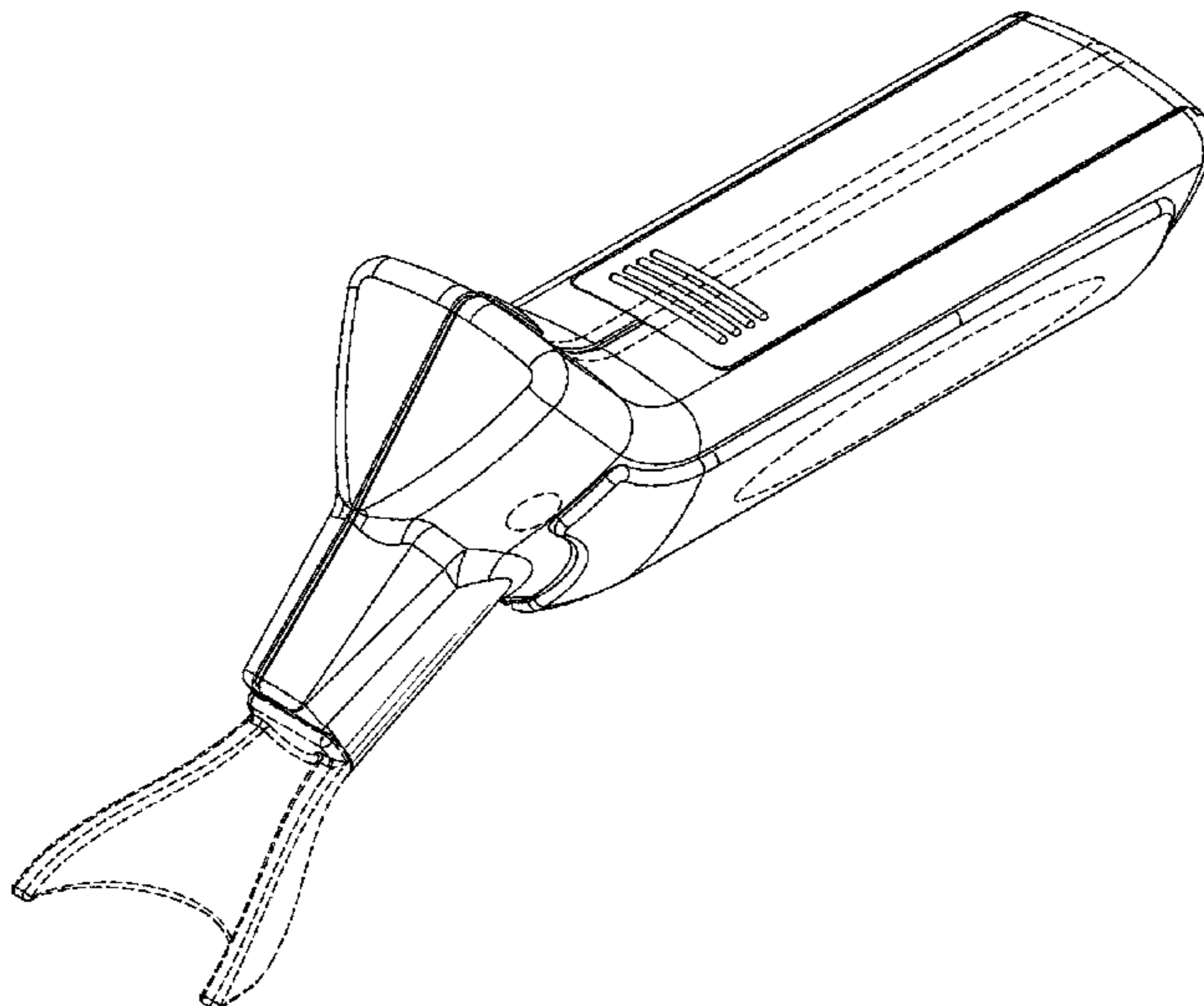
FIG. 6 is a front elevation view of the handle.

FIG. 7 is a top plan view of the handle; and,

FIG. 8 is a bottom plan view of the handle.

The broken line showing of parts of the drawings is included for the purpose of illustrating use and environment and forms no part of the claimed design.

1 Claim, 3 Drawing Sheets



US D690,428 S

Page 2

(56)

References Cited

U.S. PATENT DOCUMENTS

7,748,070 B2 7/2010 Chan et al.
D645,565 S * 9/2011 Smith et al. D24/200
D648,441 S * 11/2011 Rivero D24/200

D655,041 S * 2/2012 Grabes et al. D24/133
D656,620 S * 3/2012 Altshuler et al. D24/209
D660,448 S * 5/2012 Lum et al. D24/209
D664,295 S * 7/2012 Grabes et al. D24/133

* cited by examiner

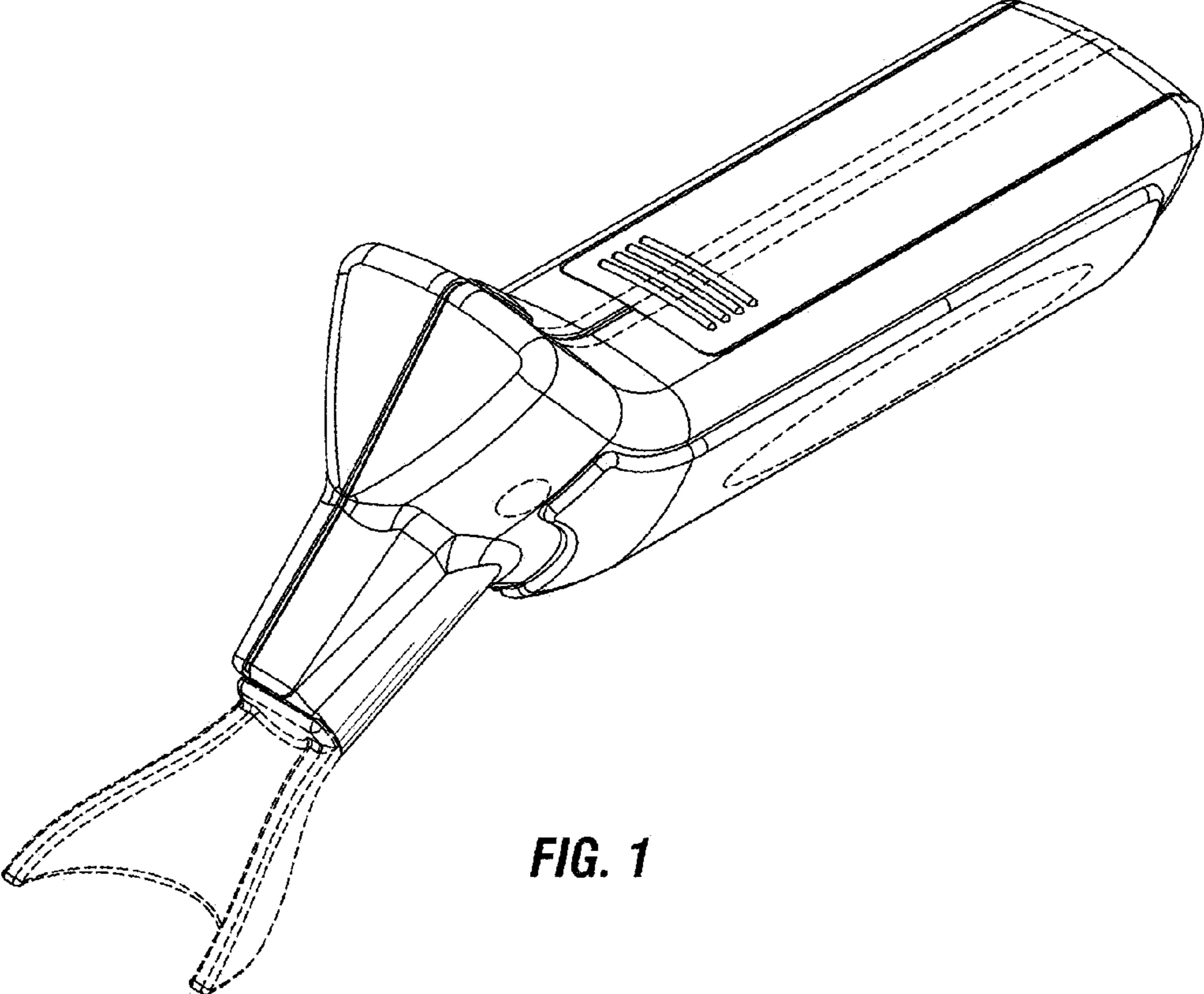


FIG. 1

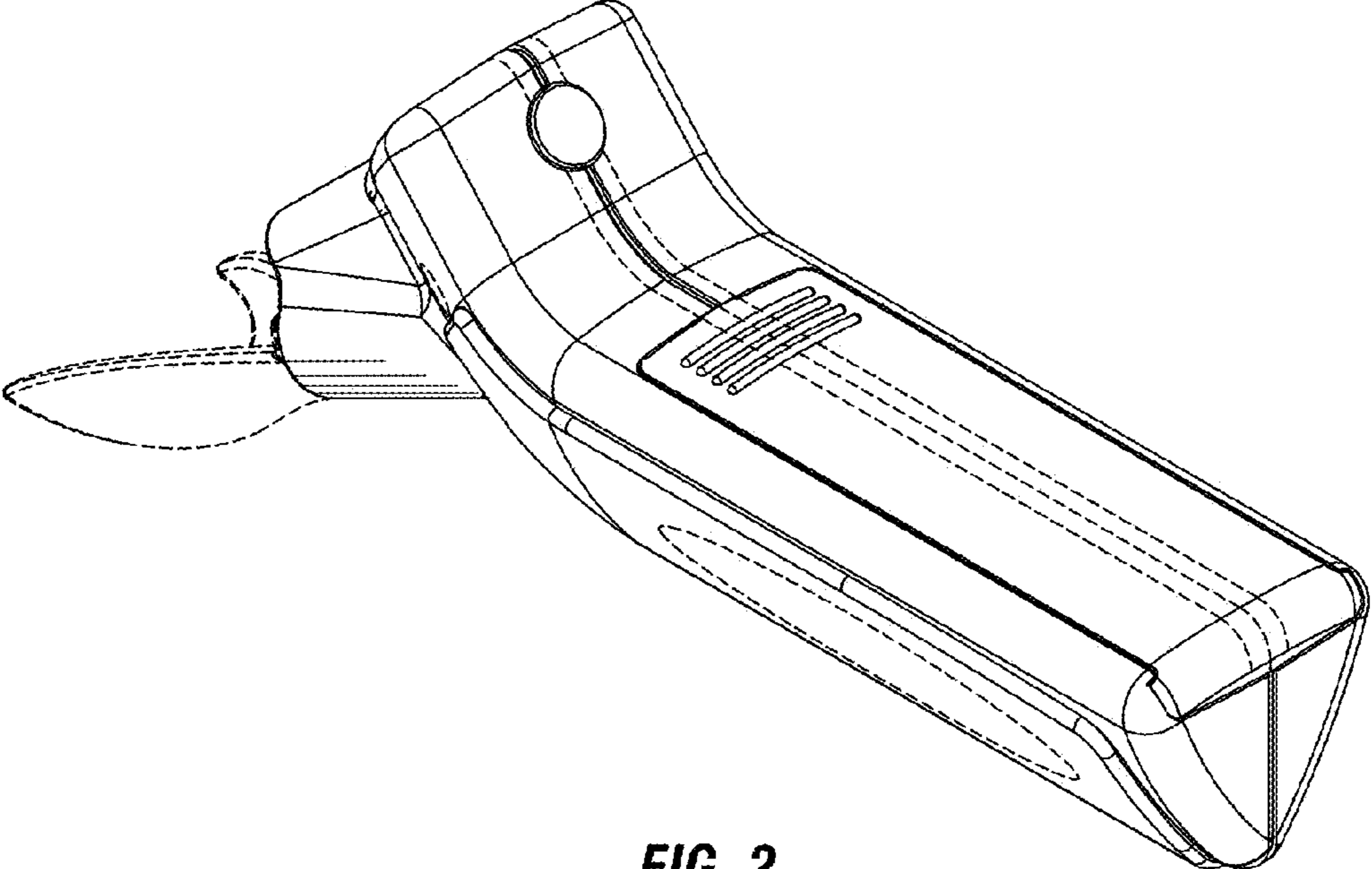


FIG. 2

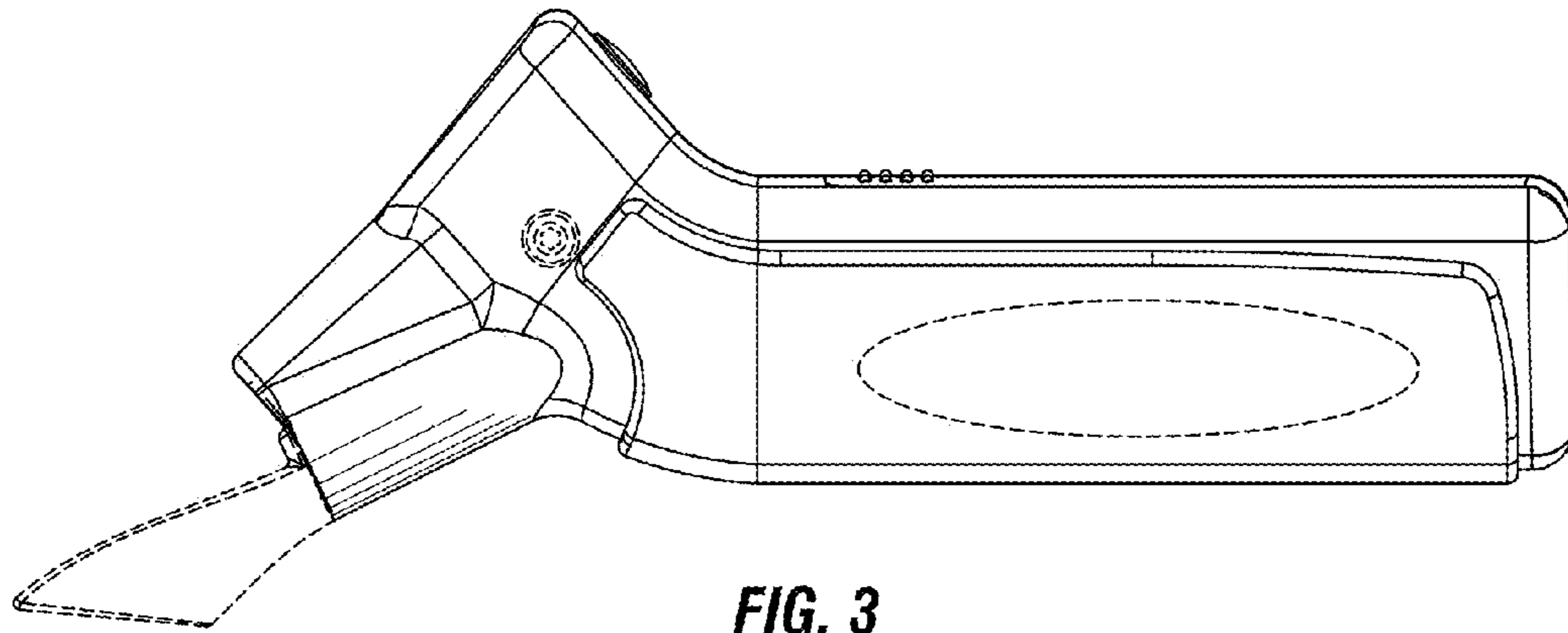


FIG. 3

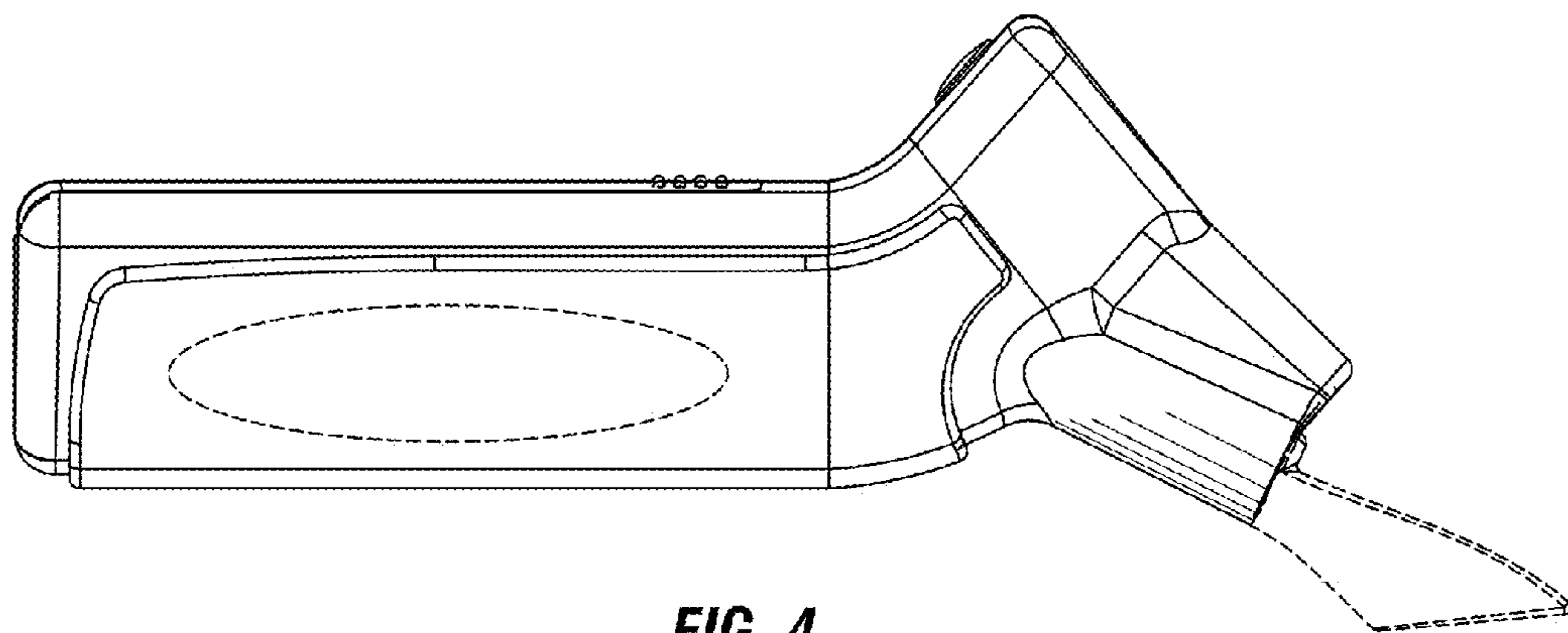


FIG. 4

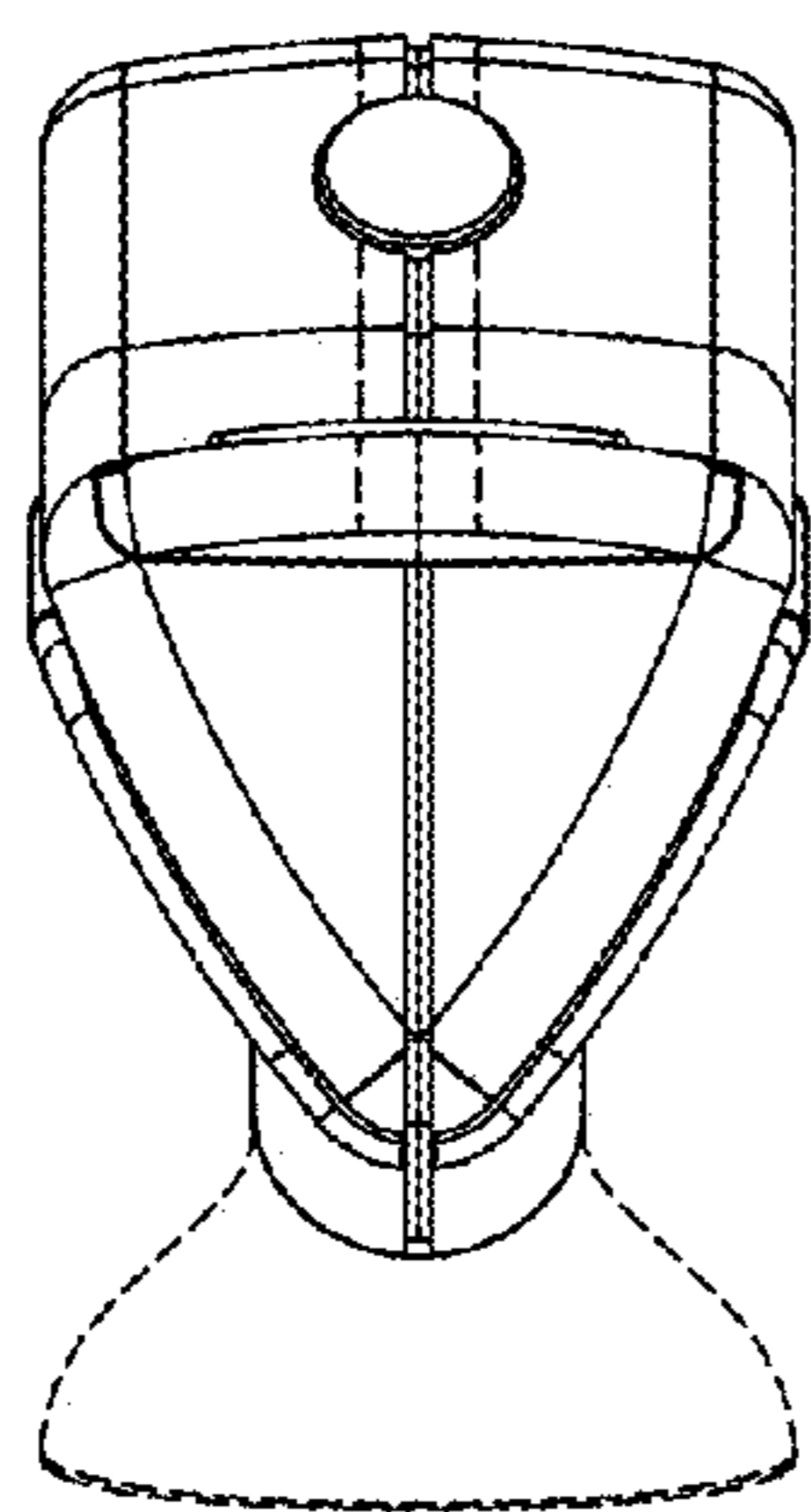


FIG. 5

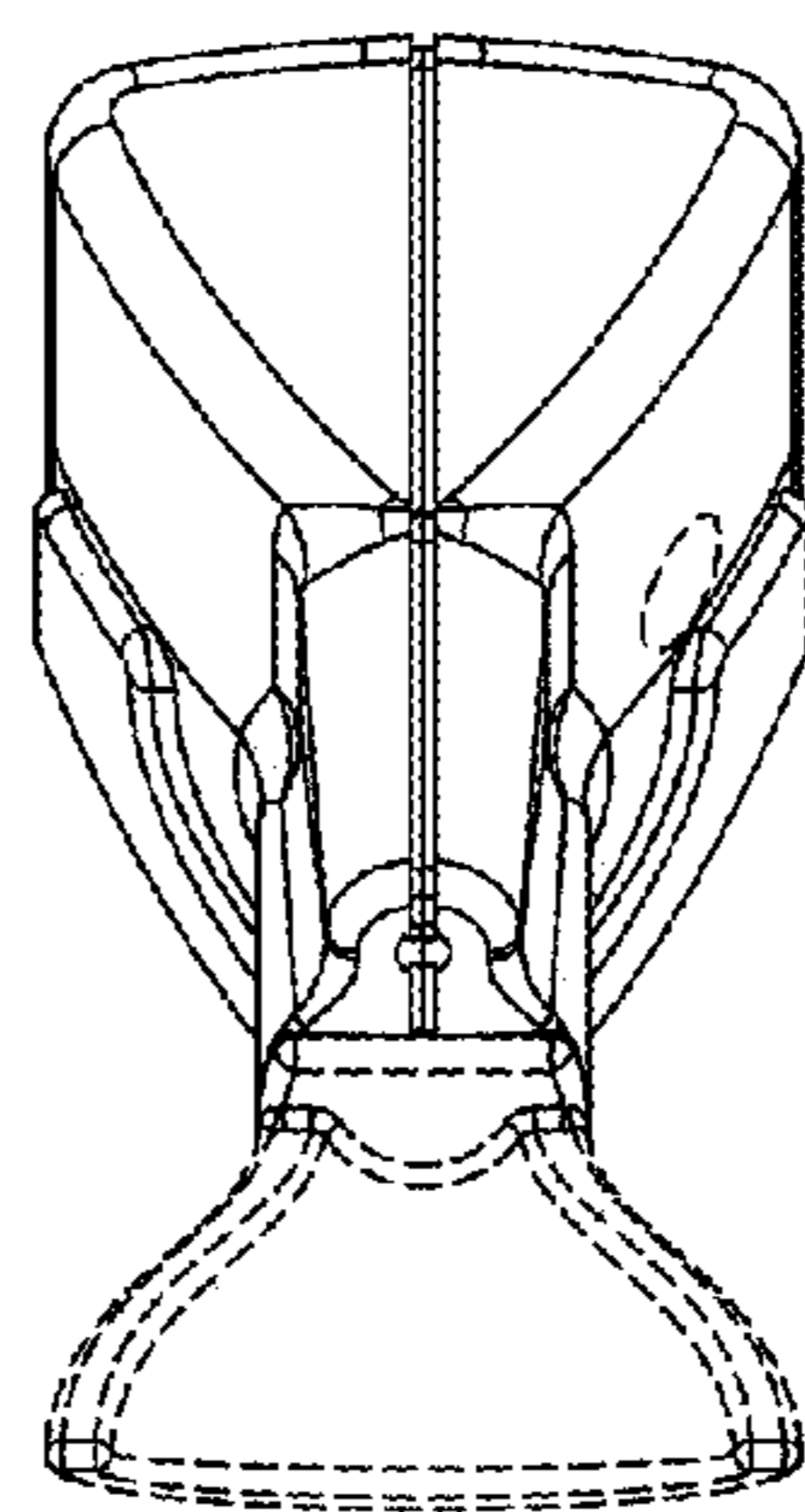


FIG. 6

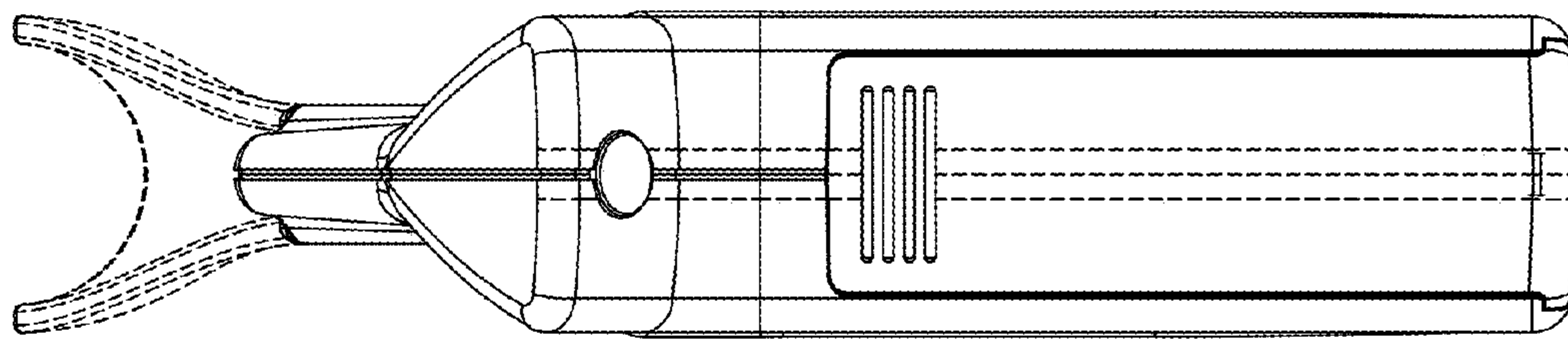


FIG. 7

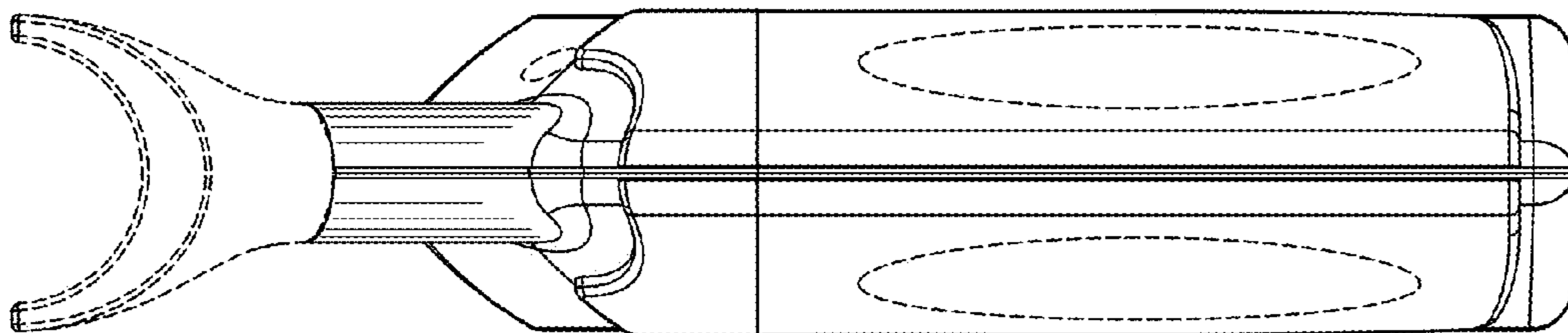


FIG. 8