



US00D690427S

(12) **United States Design Patent**  
**Granillo et al.**

(10) **Patent No.:** **US D690,427 S**

(45) **Date of Patent:** **\*\* Sep. 24, 2013**

(54) **PACIFIER**

(76) Inventors: **Kevin Andrew Granillo**, Murrieta, CA (US); **Jaclyn Alise Granillo**, Murrieta, CA (US)

(\*\*) Term: **14 Years**

(21) Appl. No.: **29/421,667**

(22) Filed: **Aug. 30, 2012**

(51) **LOC (9) Cl.** ..... **24-04**

(52) **U.S. Cl.**  
USPC ..... **D24/194; D24/199**

(58) **Field of Classification Search**  
USPC ..... D24/115, 117, 193–196, 199, 200, D24/211, 214; 606/234–236; 215/11.1–11.6; D30/160; 604/77; 119/707, 710, 711; 24/3.1, 24/3.4, 3.13, 301; D21/659, 660, 661  
See application file for complete search history.

(56) **References Cited**

U.S. PATENT DOCUMENTS

2,811,949	A *	11/1957	Rothbard	.....	606/236
4,765,037	A *	8/1988	Perry	.....	24/301
4,903,698	A *	2/1990	Huber et al.	.....	606/235
D310,716	S *	9/1990	Trask	.....	D24/195

5,156,617	A *	10/1992	Reid	.....	606/234
D341,891	S *	11/1993	Held	.....	D24/194
5,948,003	A *	9/1999	Shefflin	.....	606/234
6,263,702	B1 *	7/2001	Lo	.....	63/1.11
6,434,797	B1 *	8/2002	Sagman	.....	24/3.13
D558,885	S *	1/2008	Trizzino	.....	D24/194
D666,730	S *	9/2012	Del Solar et al.	.....	D24/194
D671,223	S *	11/2012	Swern et al.	.....	D24/194
2005/0257353	A1 *	11/2005	Rohrig	.....	24/537

\* cited by examiner

*Primary Examiner* — Susan E Krakower

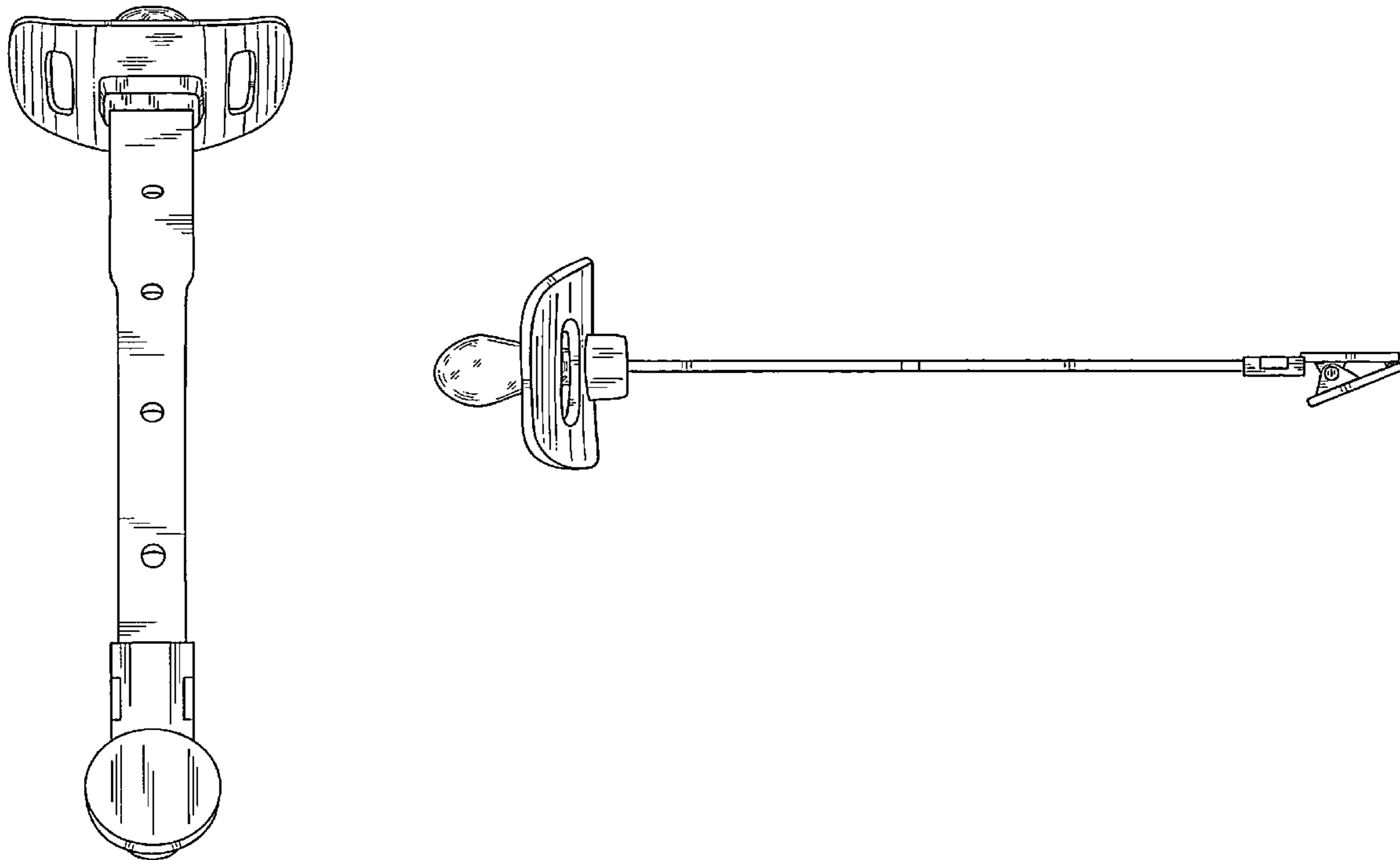
(57) **CLAIM**

The ornamental design for a pacifier, as shown and described.

**DESCRIPTION**

FIG. 1 is a top perspective view of a pacifier showing our new design;  
FIG. 2 is a bottom perspective view thereof;  
FIG. 3 is a front view thereof;  
FIG. 4 is a top plan view thereof;  
FIG. 5 is a bottom plan view thereof;  
FIG. 6 is a left side view thereof, the right side view being a mirror image of the left side view shown in FIG. 6; and,  
FIG. 7 is an enlarged partial left side perspective view of the clip element shown in FIG. 6 shown separately for completeness of illustration.

**1 Claim, 3 Drawing Sheets**



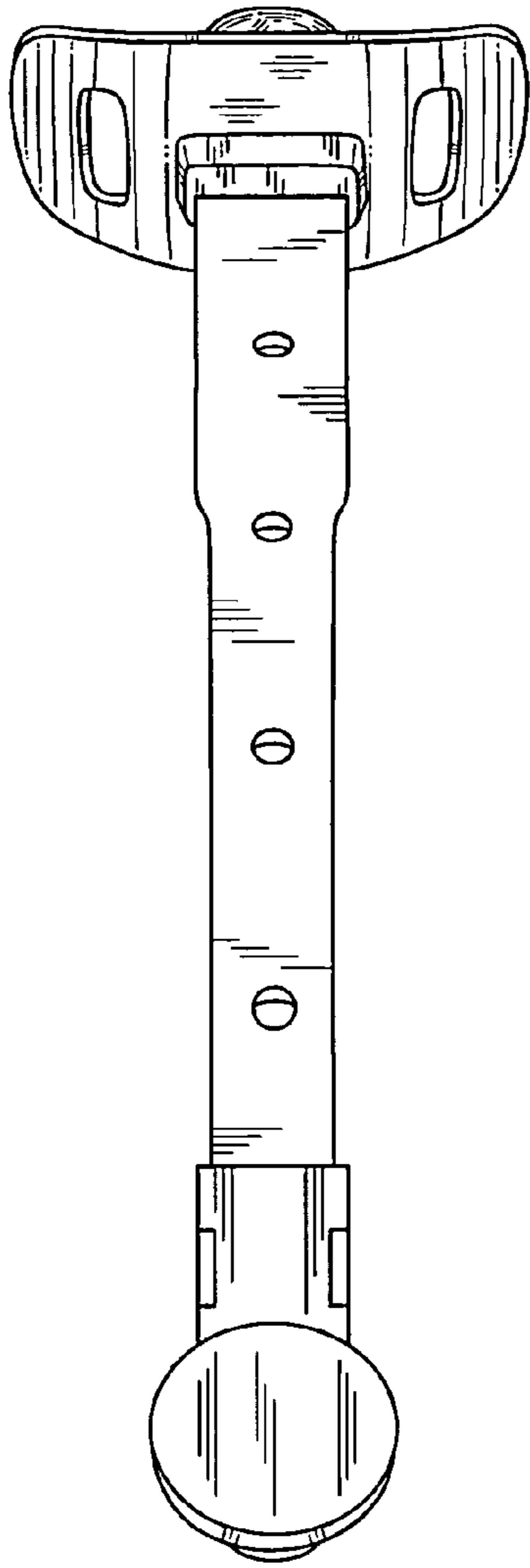


FIG. 1

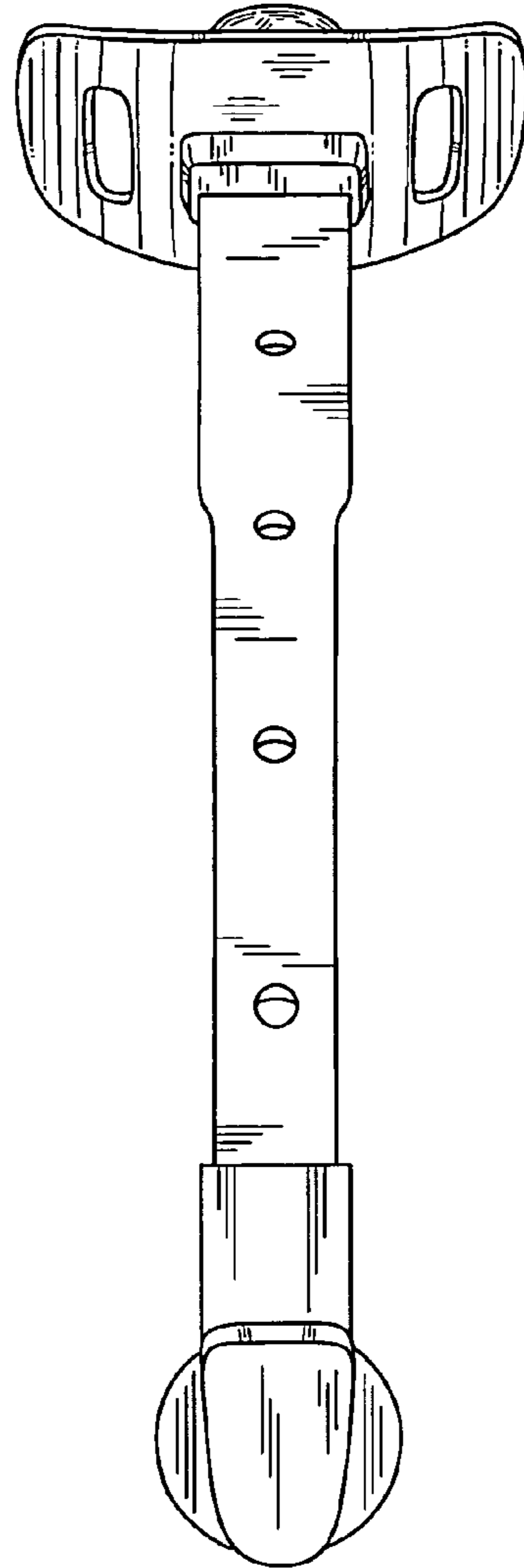


FIG. 2

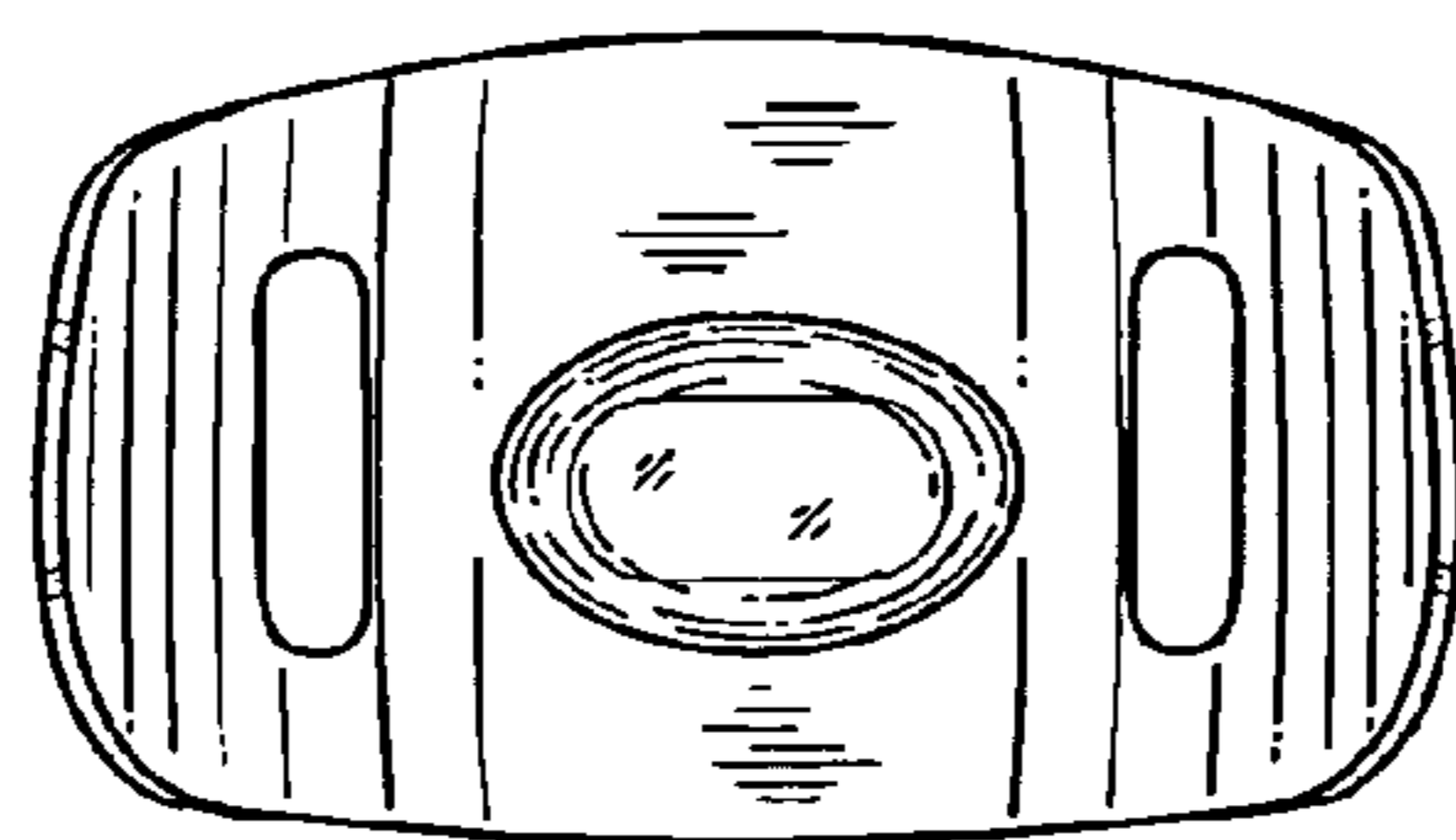


FIG. 3

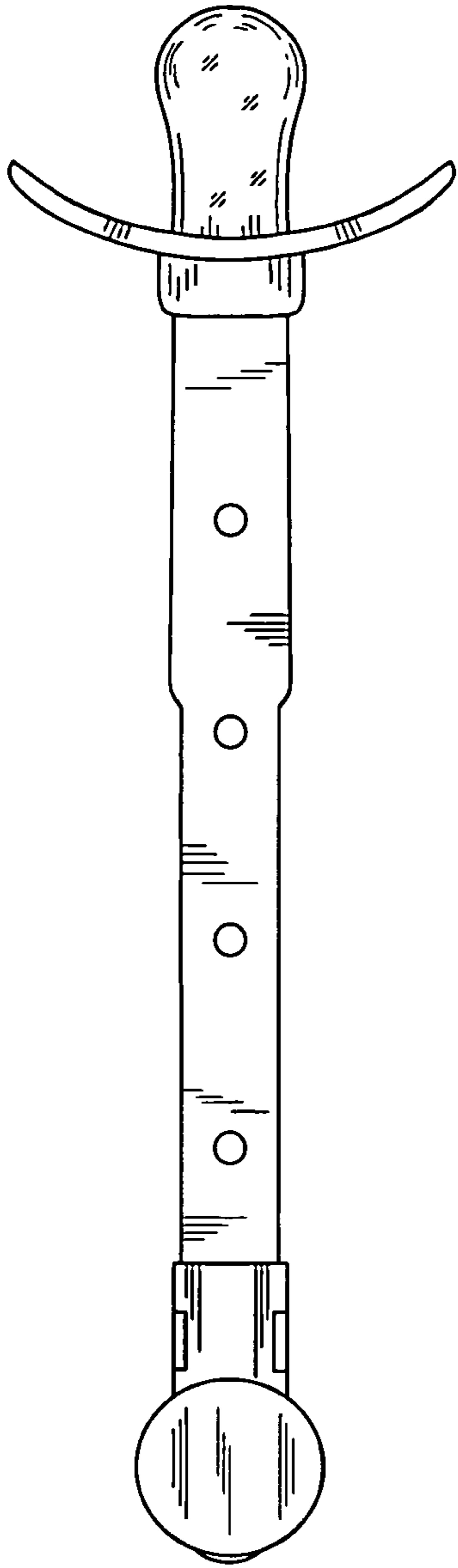


FIG. 4

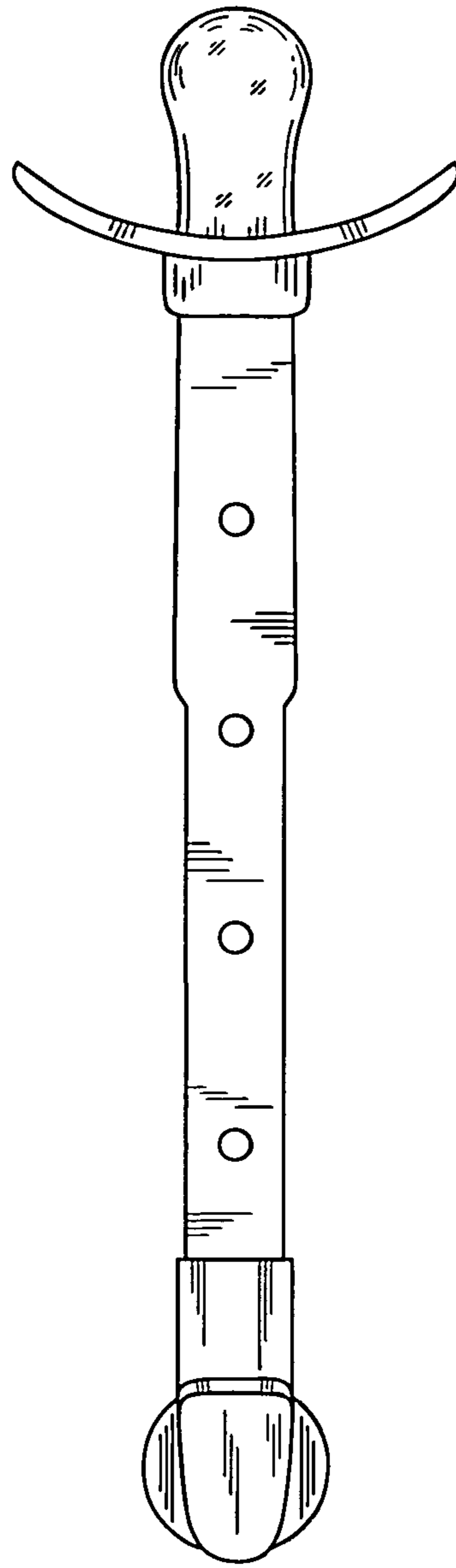


FIG. 5

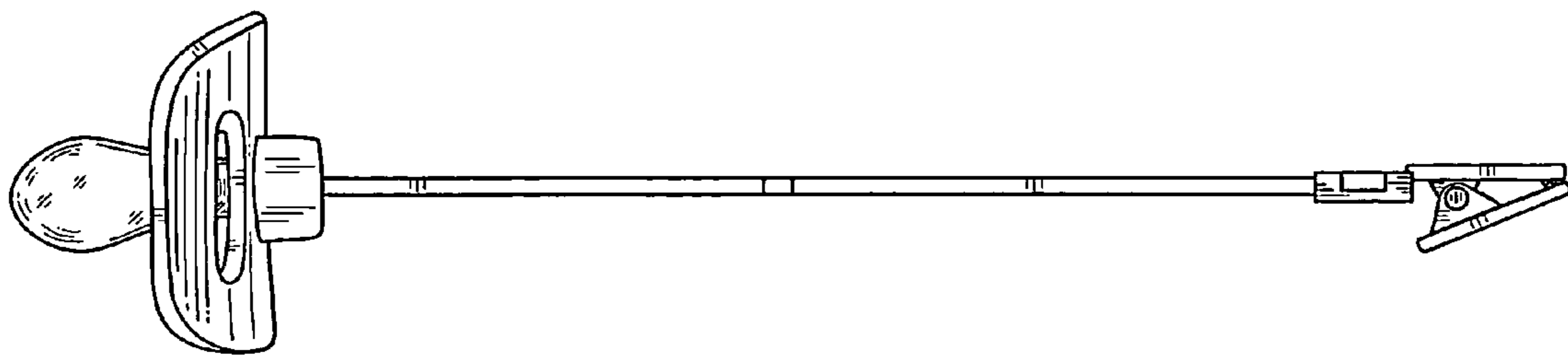


FIG. 6

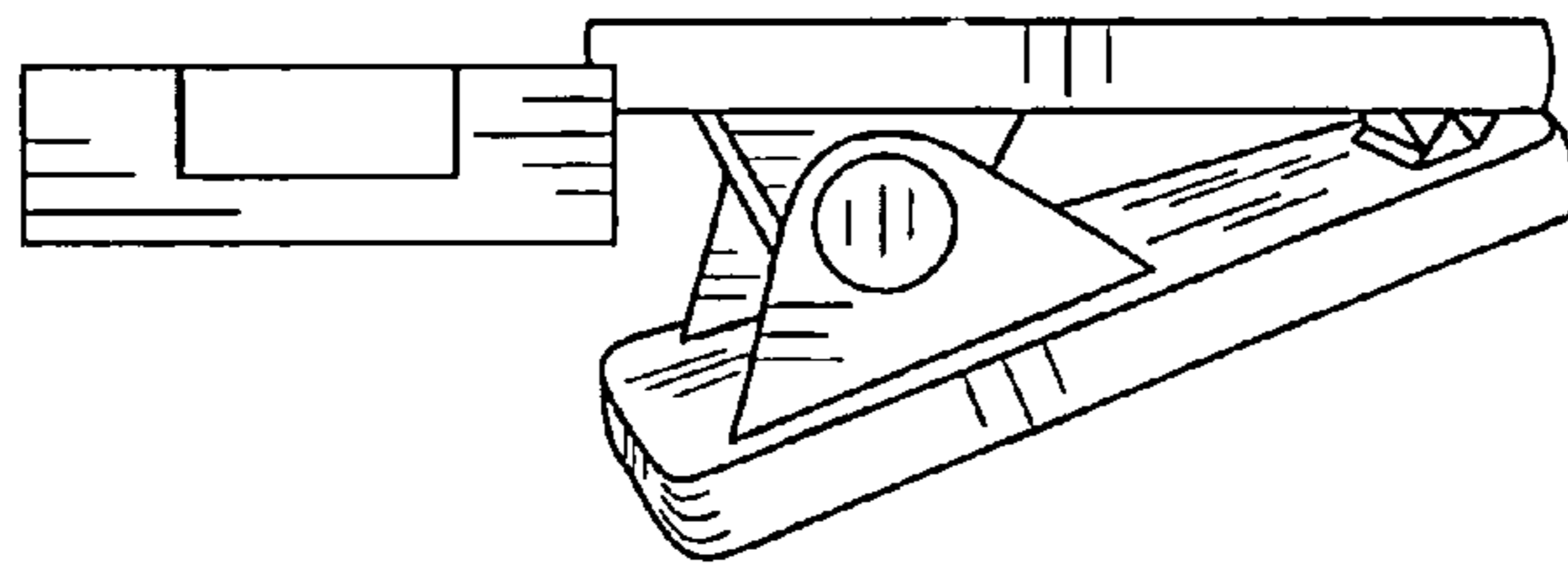


FIG. 7