



US00D690423S

(12) **United States Design Patent**
Pieroni et al.

(10) **Patent No.:** **US D690,423 S**

(45) **Date of Patent:** **** Sep. 24, 2013**

(54) **DENTAL MATRIX BAND**

(71) Applicant: **DENTSPLY International Inc.**, York, PA (US)

(72) Inventors: **Robert J. Pieroni**, Milford, DE (US);
Nicholas Conte, Jr., Middletown, DE (US)

(73) Assignee: **DENTSPLY International Inc.**, York, PA (US)

(**) Term: **14 Years**

(21) Appl. No.: **29/438,910**

(22) Filed: **Dec. 5, 2012**

(51) **LOC (9) Cl.** **24-06**

(52) **U.S. Cl.**
USPC **D24/181**

(58) **Field of Classification Search**
USPC D24/155, 156, 107, 176, 180, 181,
D24/182; 433/173, 176, 49, 70, 168.1, 38,
433/39, 40, 47; D8/387, 388; D29/108,
D29/100; 128/859, 861, 862; 72/68, 299,
72/316

See application file for complete search history.

(56) **References Cited**

U.S. PATENT DOCUMENTS

D253,191	S	*	10/1979	Stark et al.	D24/181
5,425,635	A	*	6/1995	Croll	433/39
5,788,487	A	*	8/1998	Meyer	433/39
D595,414	S	*	6/2009	McDonald	D24/181
D599,022	S	*	8/2009	McDonald	D24/181
D605,298	S	*	12/2009	McDonald	D24/181
2012/0129125	A1	*	5/2012	Ibrahim	433/39

* cited by examiner

Primary Examiner — Ian Simmons

Assistant Examiner — Charles Hanson

(74) *Attorney, Agent, or Firm* — Leana Levin; Douglas J. Hura; David A. Zdrune

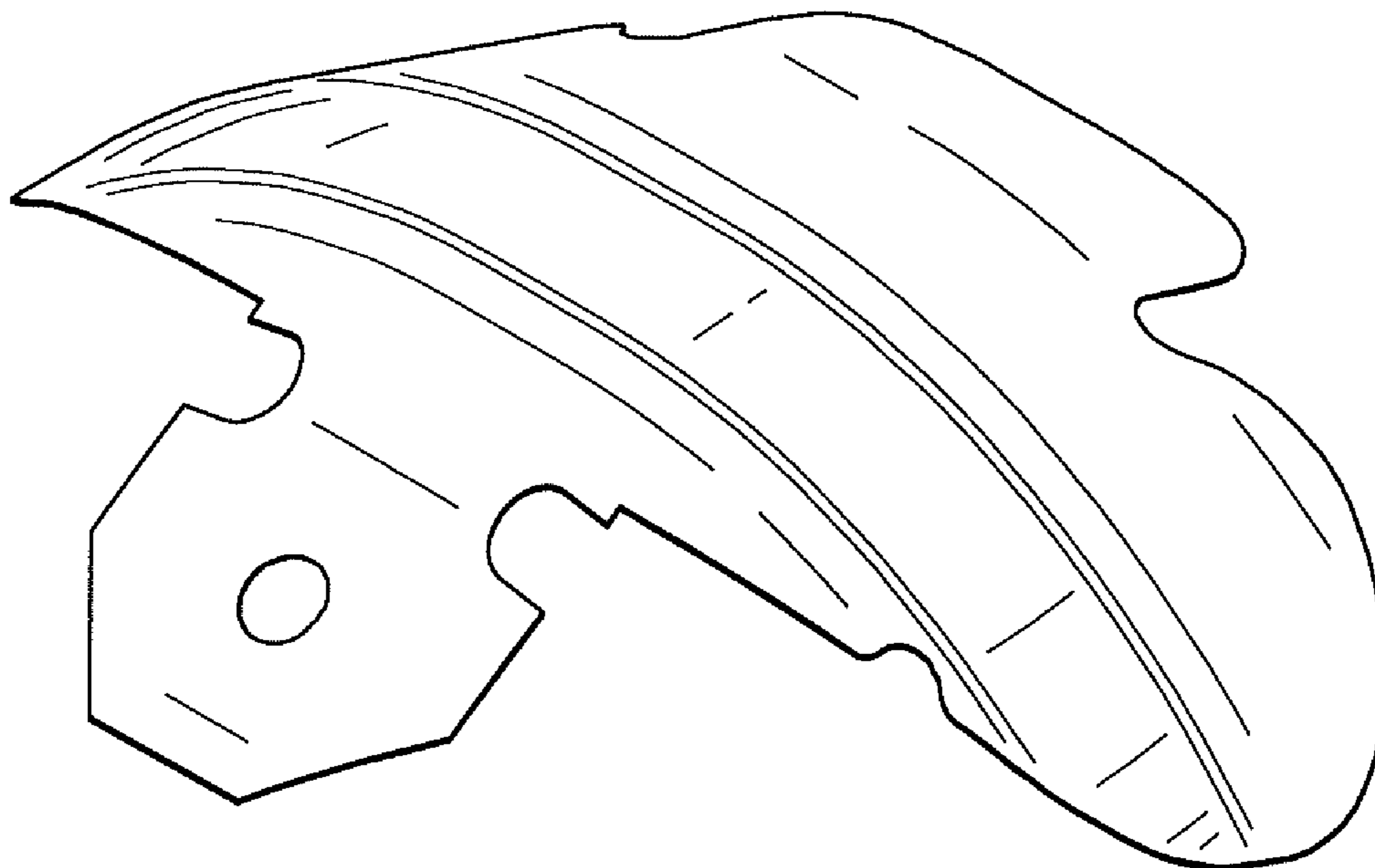
(57) **CLAIM**

The ornamental design for a dental matrix band, as shown and described.

DESCRIPTION

FIG. 1 is an isometric view of a dental matrix band showing our new design;
FIG. 2 is a top perspective view thereof;
FIG. 3 is a bottom perspective view thereof;
FIG. 4 is a first side perspective view thereof;
FIG. 5 is a second side perspective view thereof;
FIG. 6 is a front perspective view thereof; and,
FIG. 7 is a rear perspective view thereof.

1 Claim, 4 Drawing Sheets



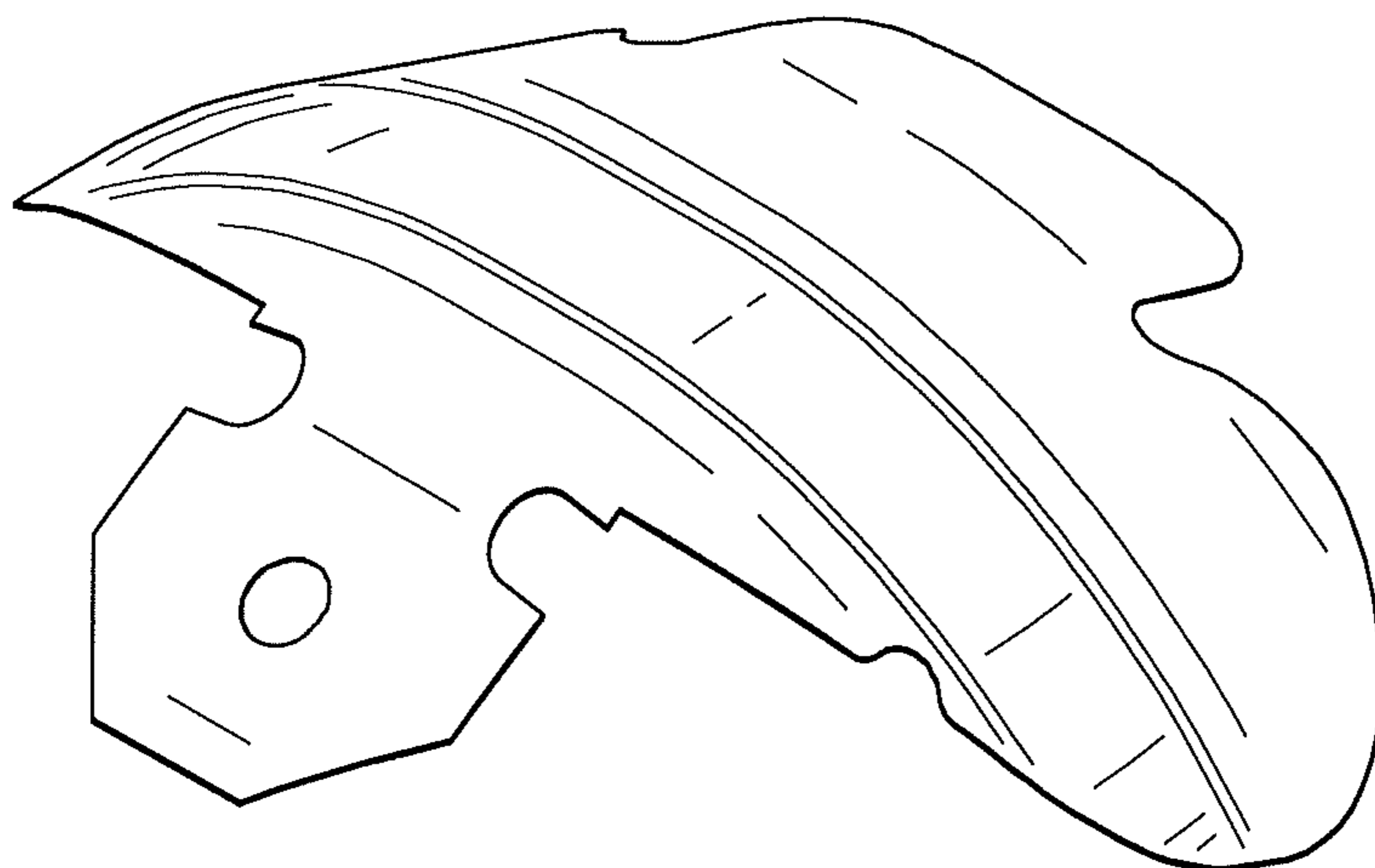


FIG. 1

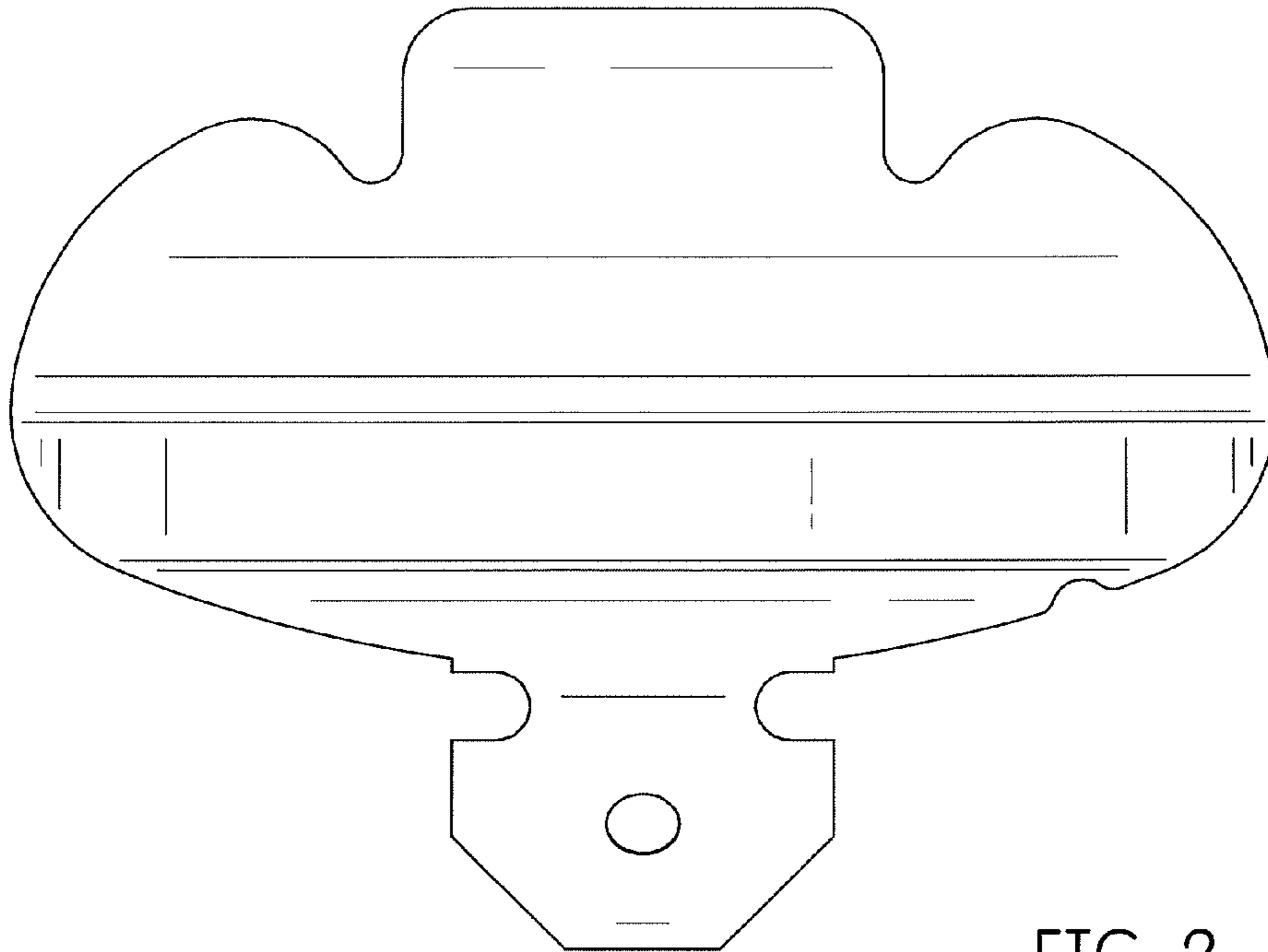


FIG. 2

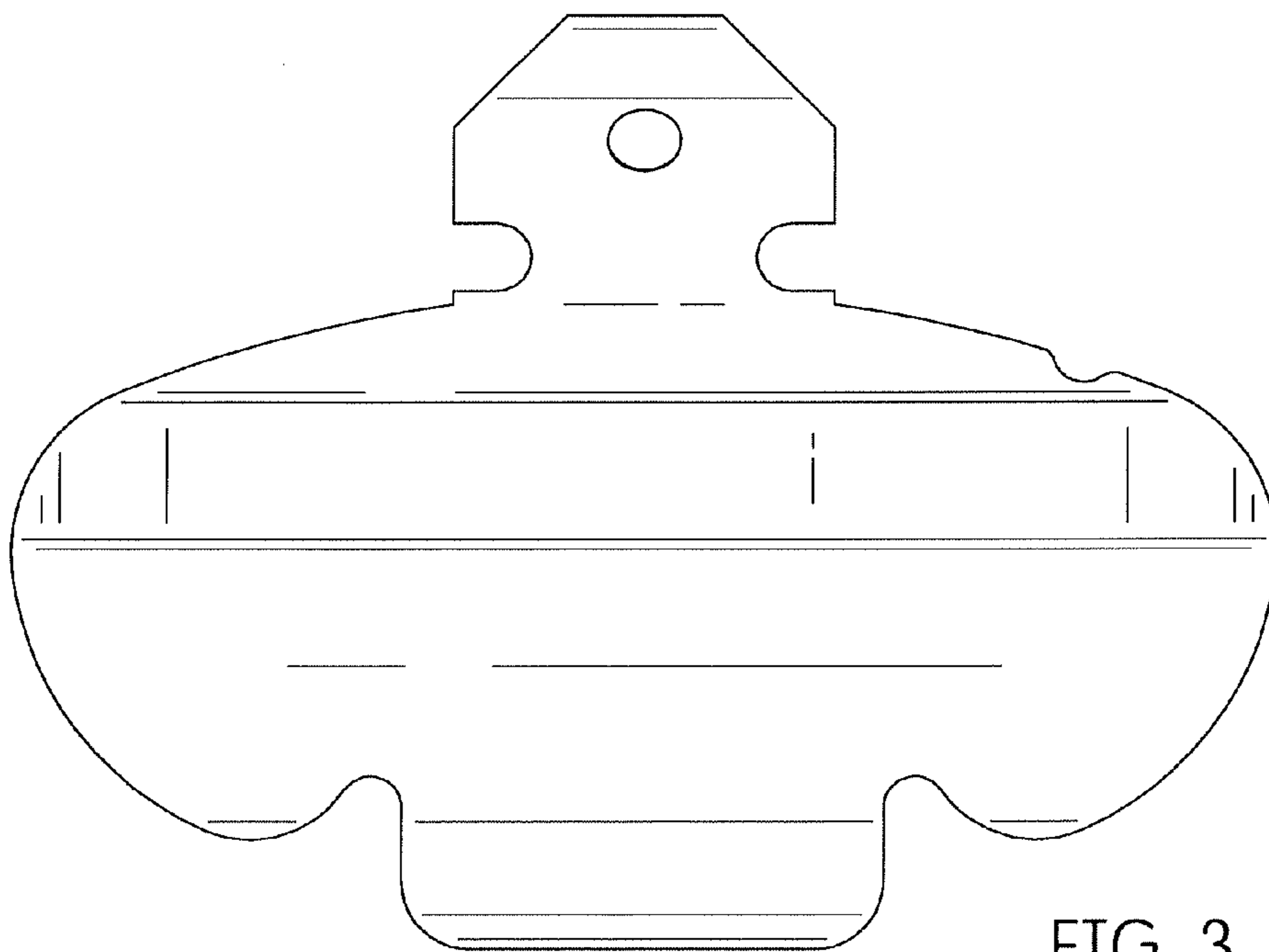


FIG. 3

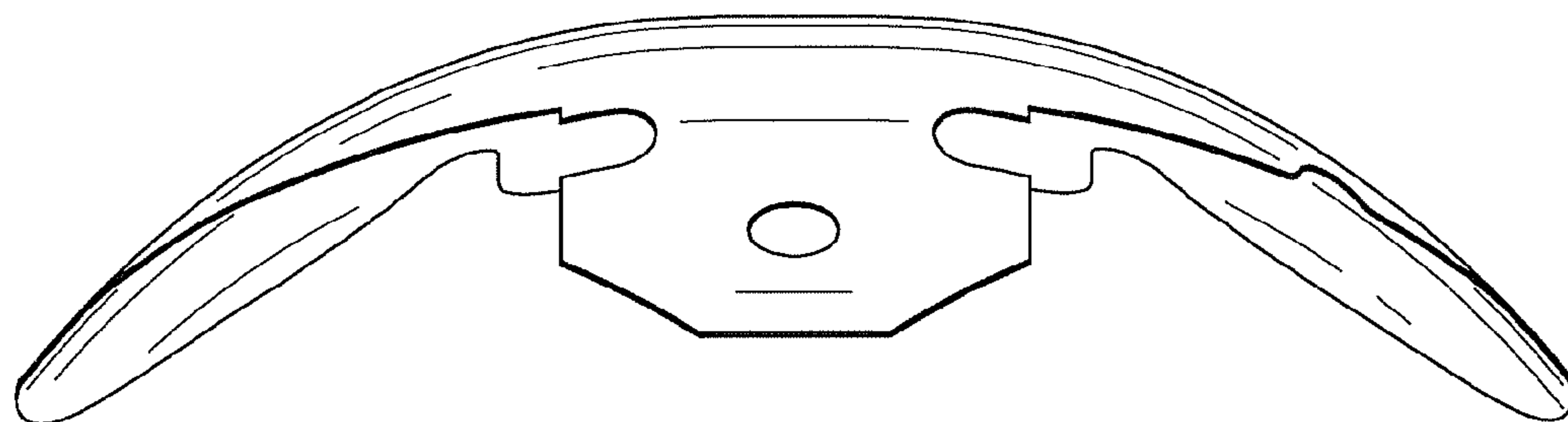


FIG. 4

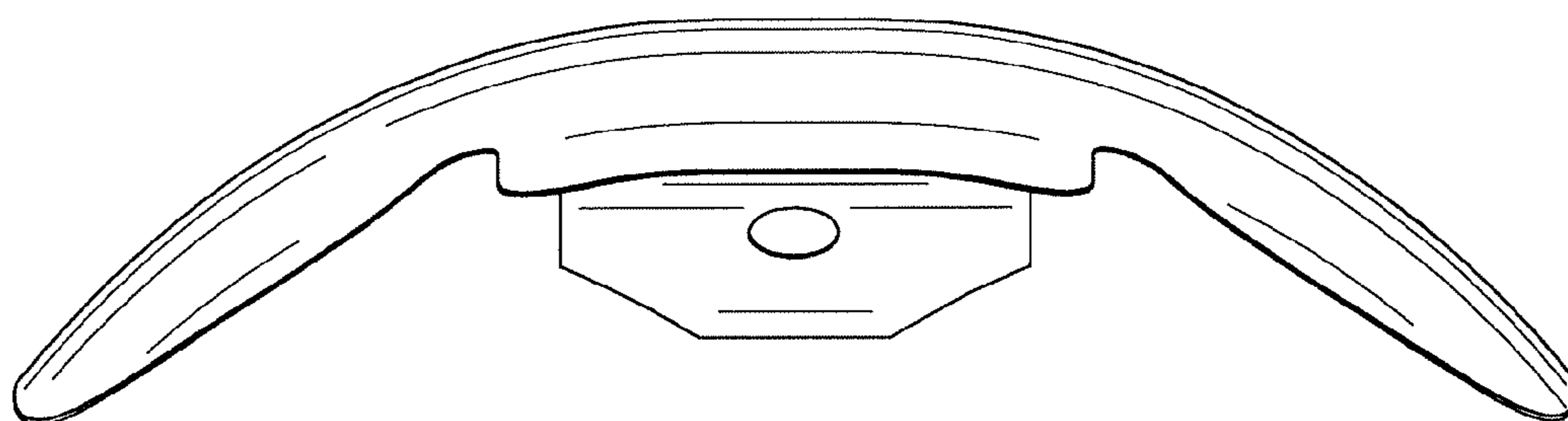


FIG. 5

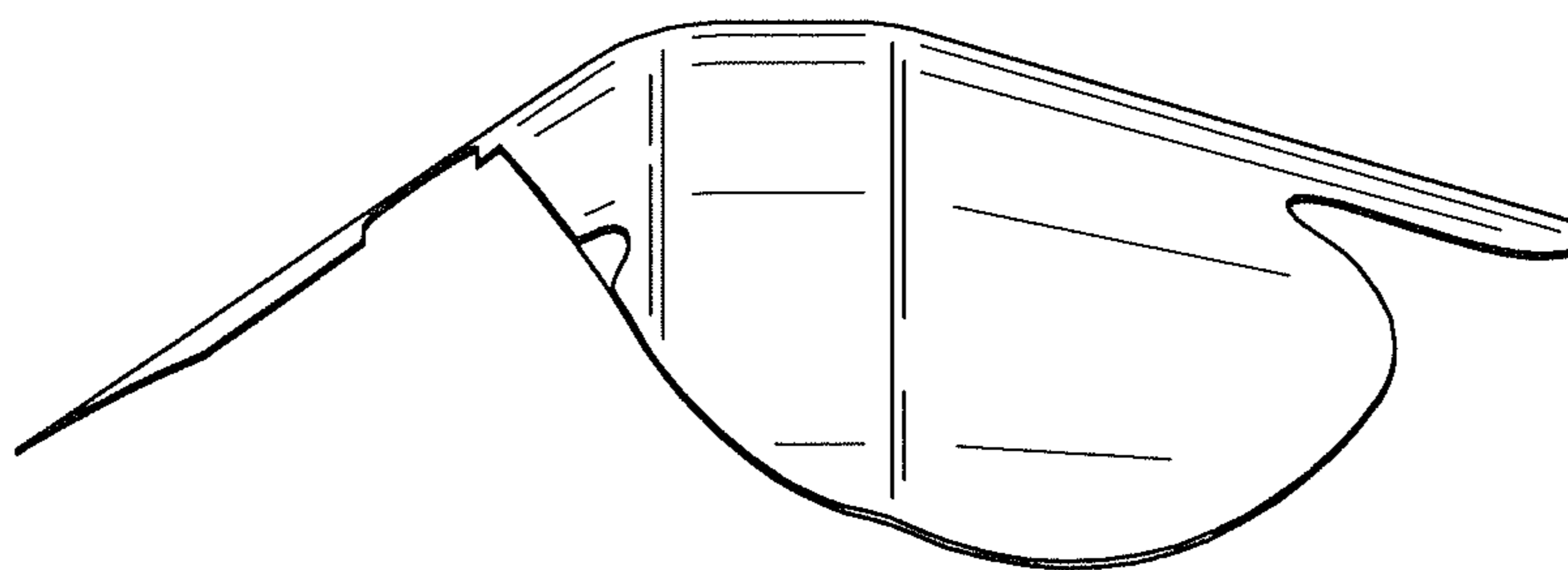


FIG. 6

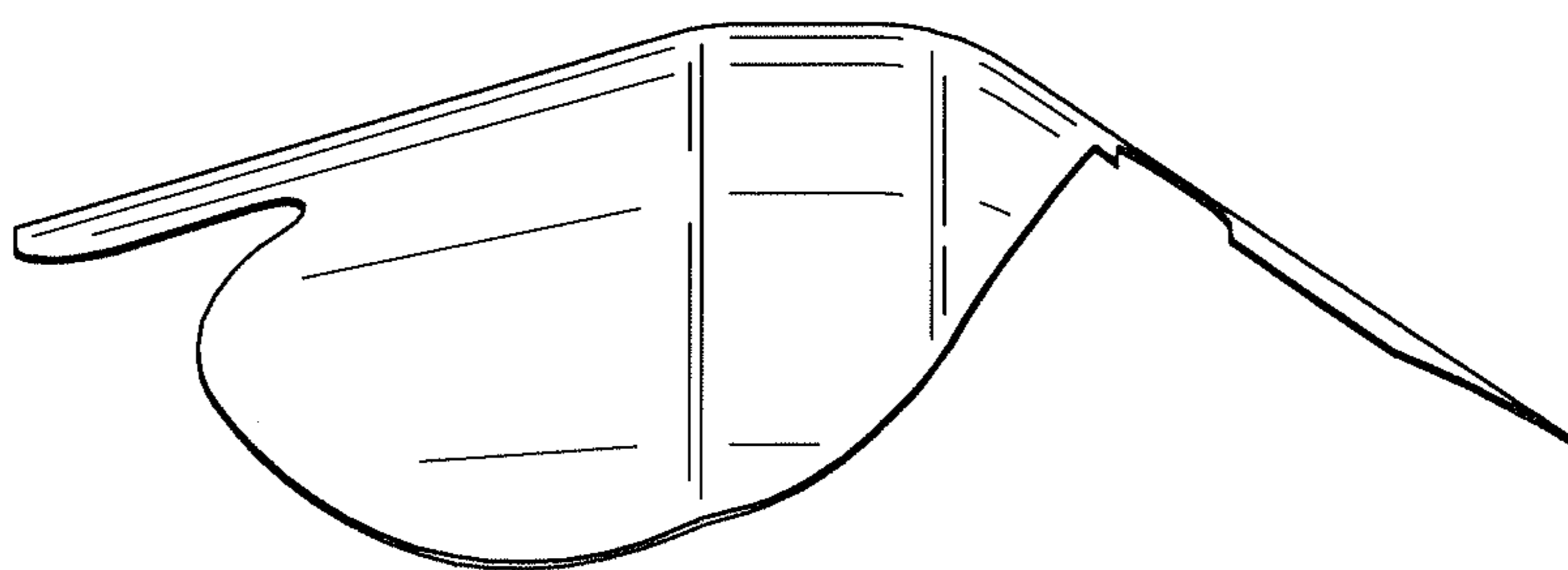


FIG. 7