



US00D690422S

(12) **United States Design Patent**
Oka

(10) **Patent No.:** **US D690,422 S**

(45) **Date of Patent:** **** *Sep. 24, 2013**

(54) **BLOOD GLUCOSE LEVEL MEASURING
DEVICE**

2010/0076280 A1* 3/2010 Bernstein et al. 600/309
2010/0228111 A1* 9/2010 Friman et al. 600/365
2011/0034786 A1* 2/2011 Cadio et al. 600/316

(75) Inventor: **Junichi Oka**, Kyoto (JP)

(73) Assignee: **Arkray, Inc.** (JP)

(*) Notice: This patent is subject to a terminal disclaimer.

(**) Term: **14 Years**

(21) Appl. No.: **29/387,703**

(22) Filed: **Mar. 16, 2011**

(30) **Foreign Application Priority Data**

Sep. 17, 2010 (JP) 2010-022512

(51) **LOC (9) Cl.** **24-01**

(52) **U.S. Cl.**
USPC **D24/169**

(58) **Field of Classification Search**
USPC D24/165-169, 107, 186, 216, 223,
D24/231, 232; D10/46, 81; D14/341; 422/56,
422/58, 68.1; 600/316, 322, 347, 365, 368
See application file for complete search history.

(56) **References Cited**

U.S. PATENT DOCUMENTS

D406,895 S * 3/1999 Byrd et al. D24/169
D499,805 S * 12/2004 D'Agostino D24/169
D545,438 S * 6/2007 Huang et al. D24/186
D546,456 S * 7/2007 May D24/186
D546,458 S * 7/2007 Hannant D24/186
D547,216 S * 7/2007 Rounds et al. D10/81
D595,415 S * 6/2009 Fukuzawa D24/186
D615,431 S * 5/2010 Salter et al. D10/81
D670,811 S * 11/2012 Fukuzawa D24/169

FOREIGN PATENT DOCUMENTS

EM 000338959-0001 7/2005
JP D1222984 S 11/2004
JP D1328968 S 5/2008
JP D1353862 S 3/2009
JP D1355469 S 4/2009
JP D1397613 S 9/2010

OTHER PUBLICATIONS

Explanation of U.S. Appl. No. 29/387,703.
Japanese Office Action "Notification of Reasons for Rejection" with mailing date of Mar. 23, 2011; Japanese Design Application No. 2010-022510 with translation.
Japanese Office Action "Notification of Reasons for Rejection" with mailing date of Mar. 23, 2011; Japanese Design Application No. 2010-022512 with translation.

* cited by examiner

Primary Examiner — Anhdao Doan

(74) *Attorney, Agent, or Firm* — Studebaker & Brackett PC

(57) **CLAIM**

The ornamental design for a blood glucose level measuring device, as shown and described.

DESCRIPTION

FIG. 1 is a top perspective view of the blood glucose level measuring device;

FIG. 2 is a bottom perspective view thereof;

FIG. 3 is a top view thereof;

FIG. 4 is a bottom view thereof;

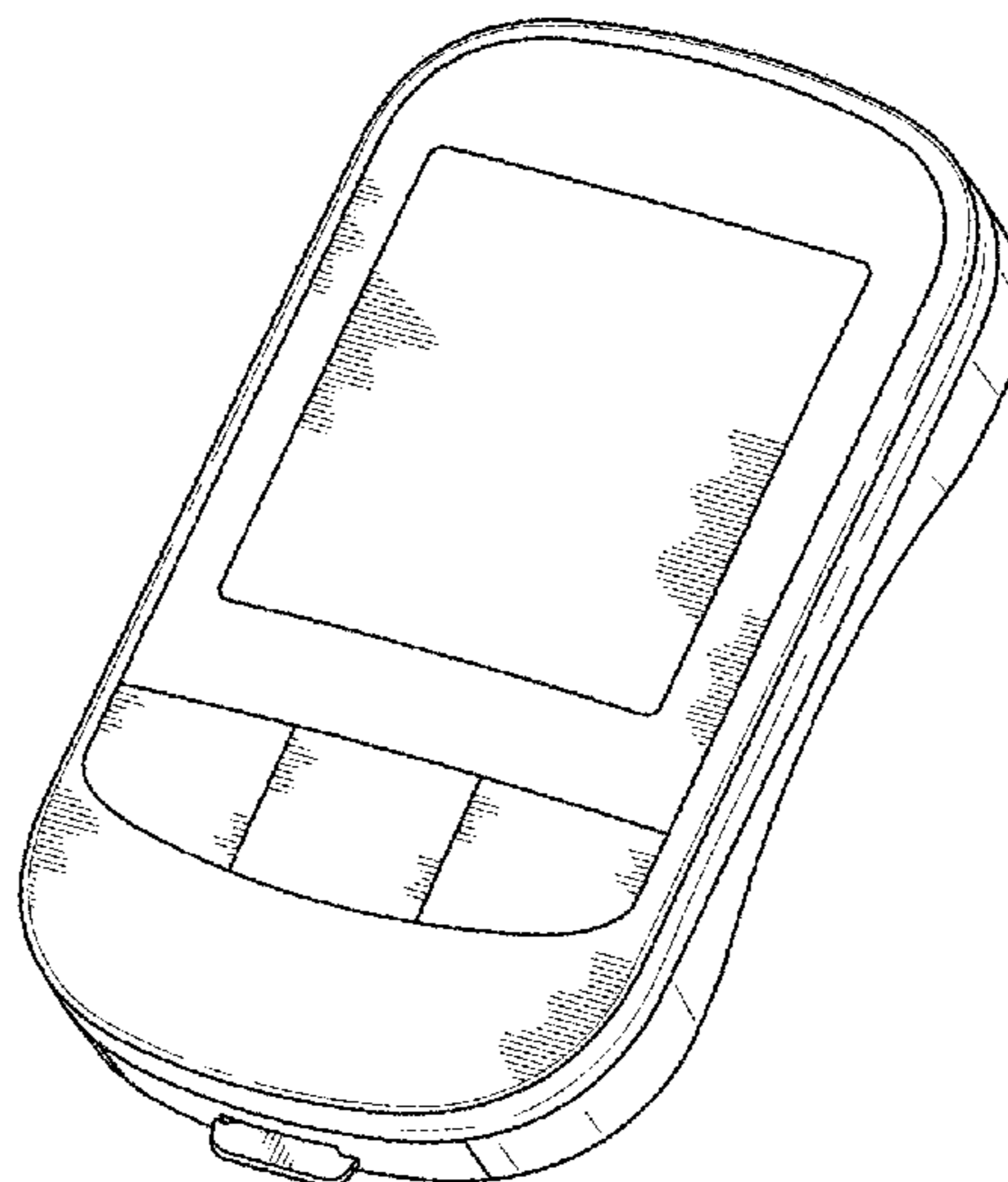
FIG. 5 is a left side view thereof;

FIG. 6 is a right side view thereof;

FIG. 7 is a front view thereof; and,

FIG. 8 is a rear view thereof.

1 Claim, 8 Drawing Sheets



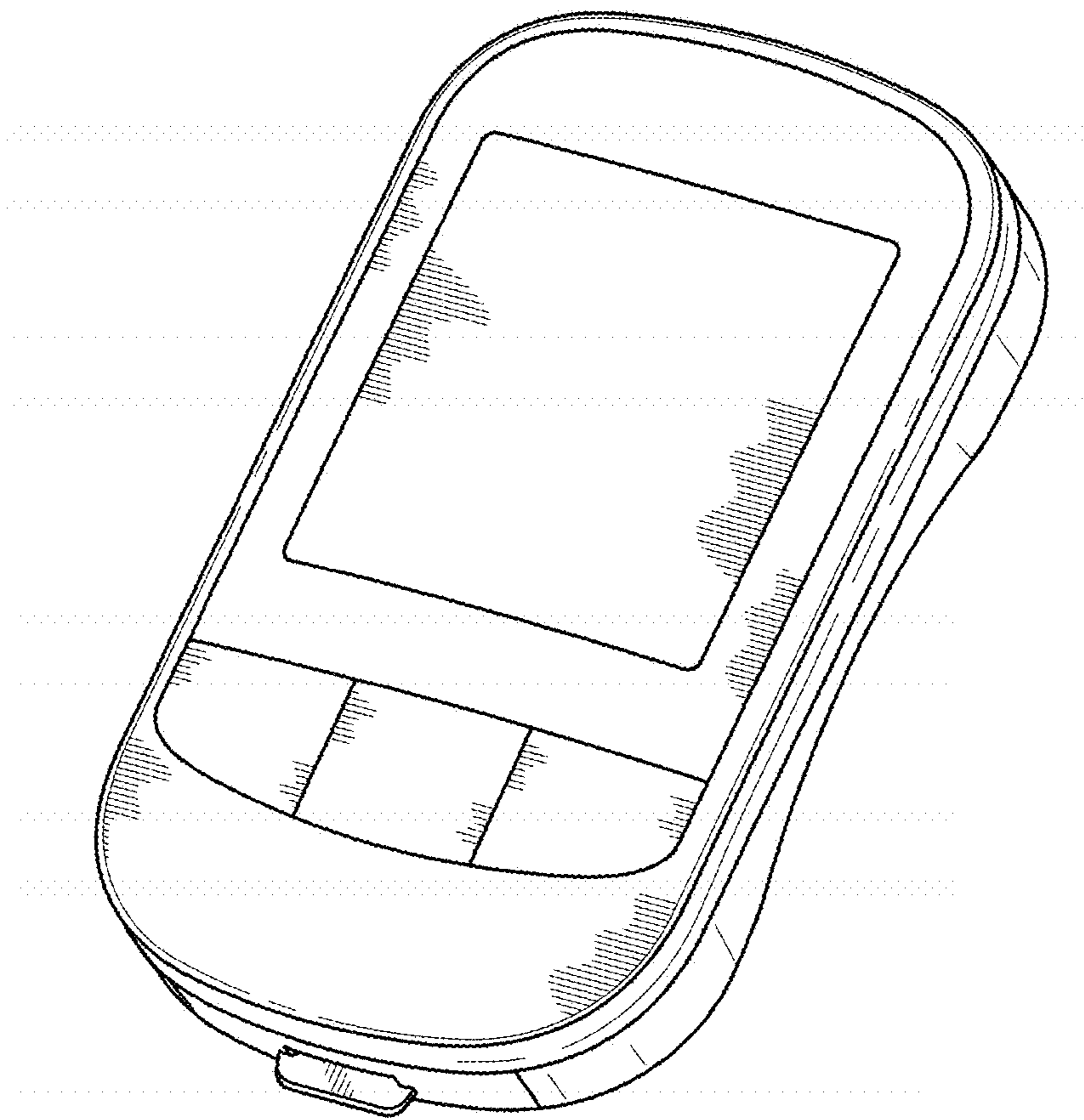


FIG. 1



FIG. 2

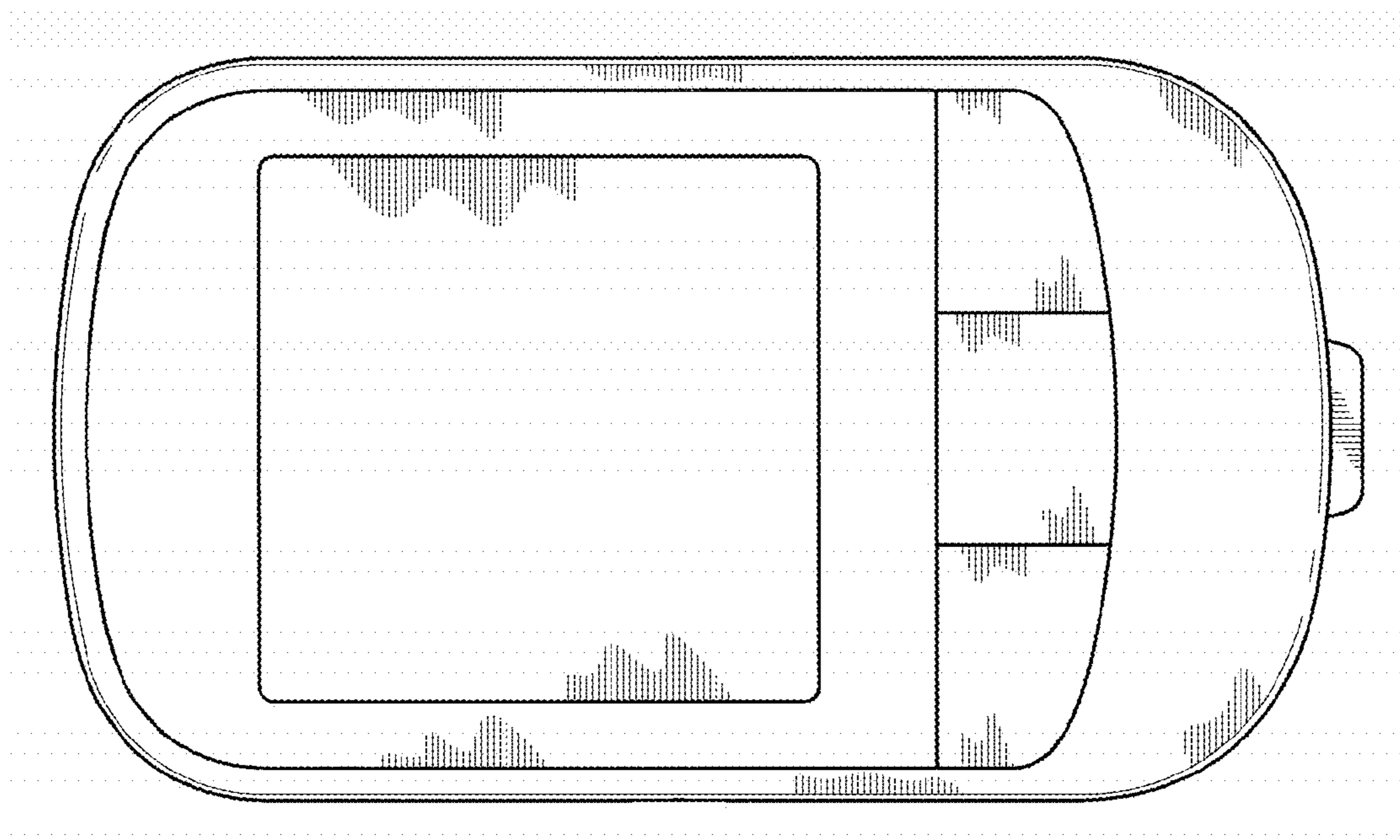


FIG. 3

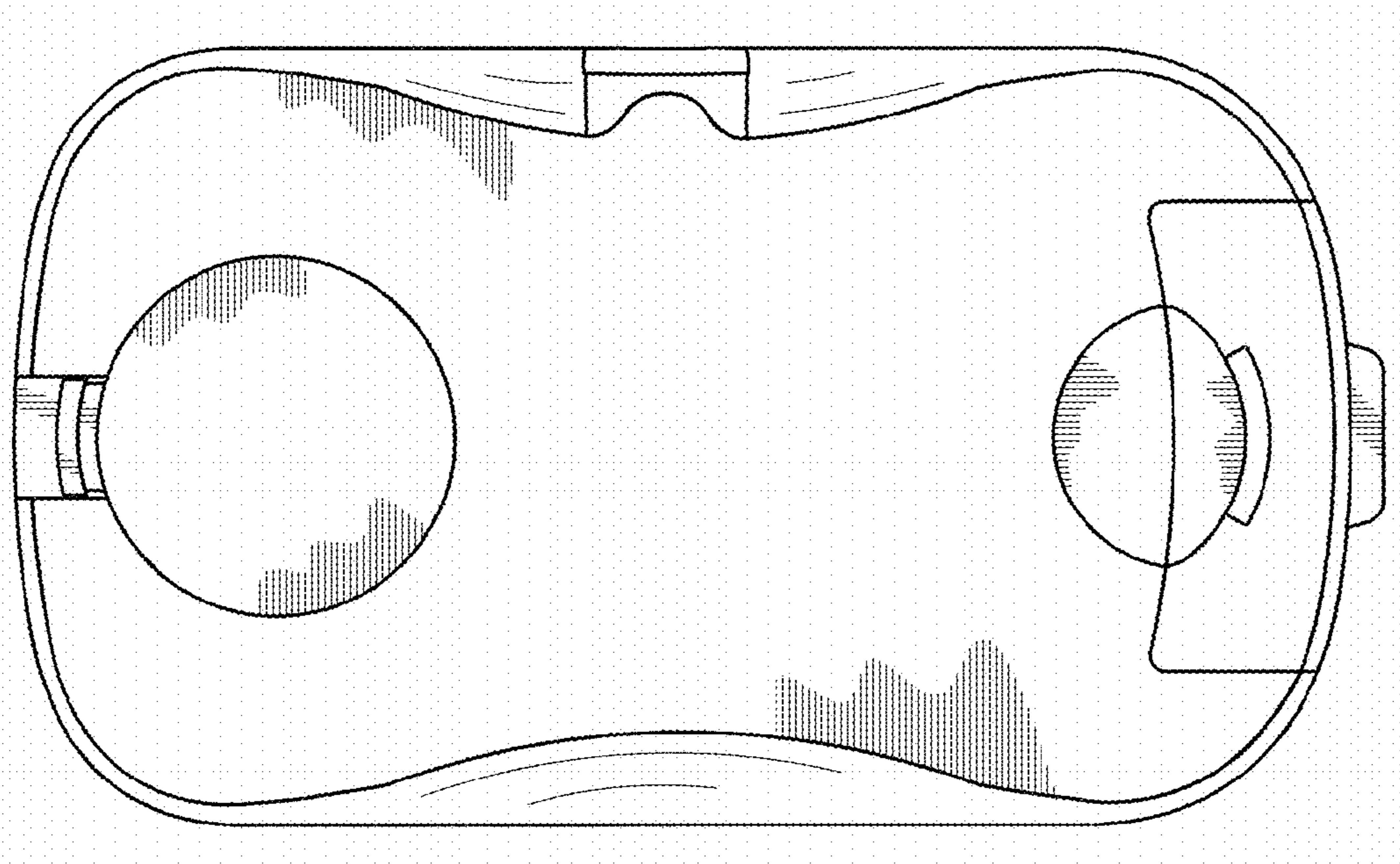


FIG. 4

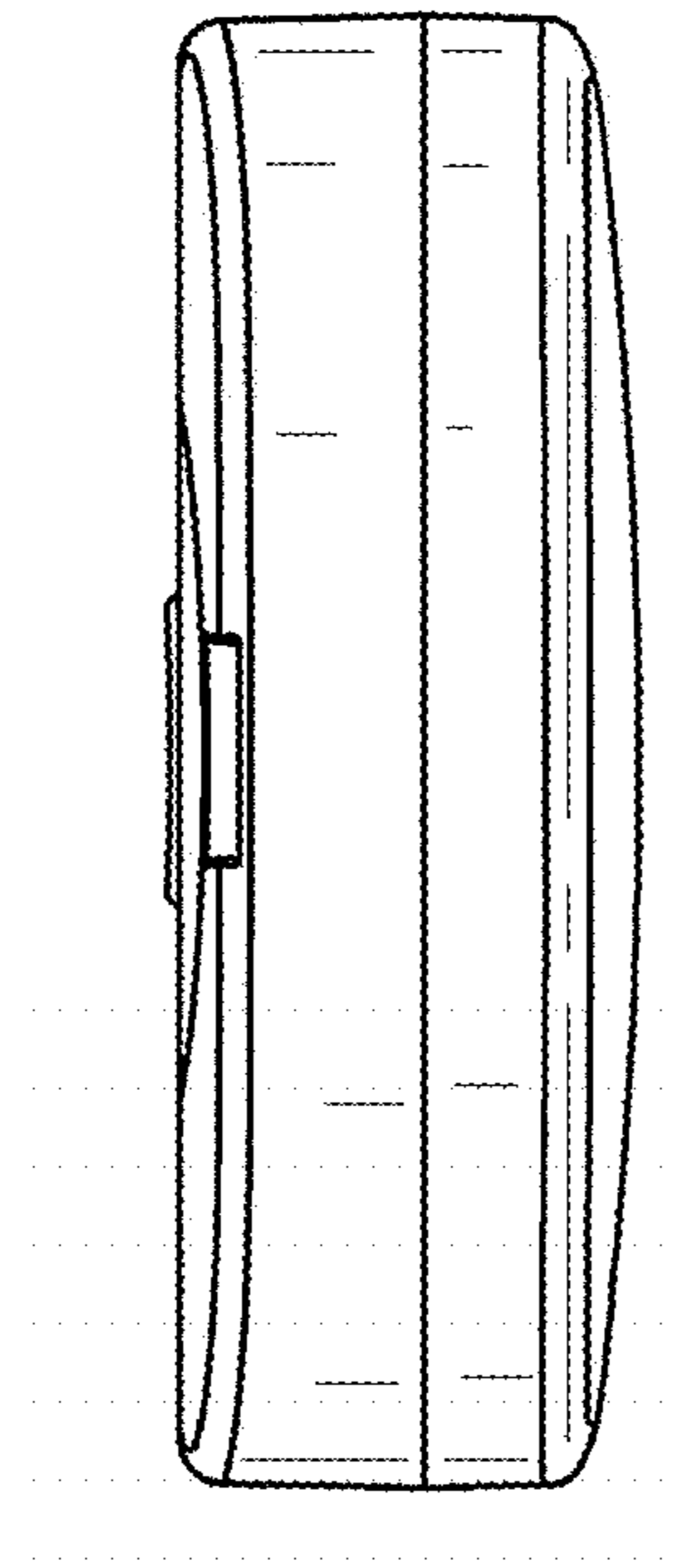


FIG. 5

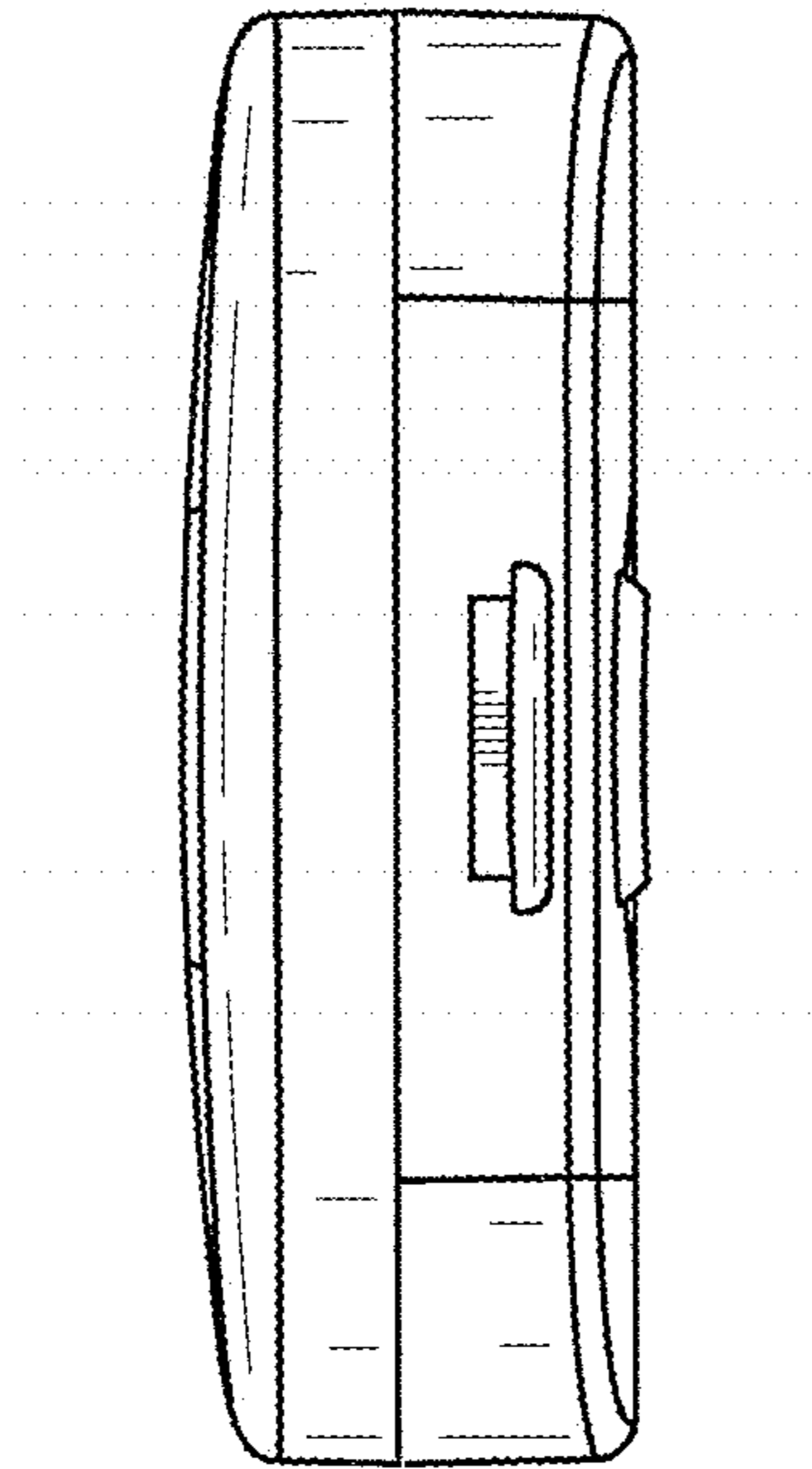


FIG. 6

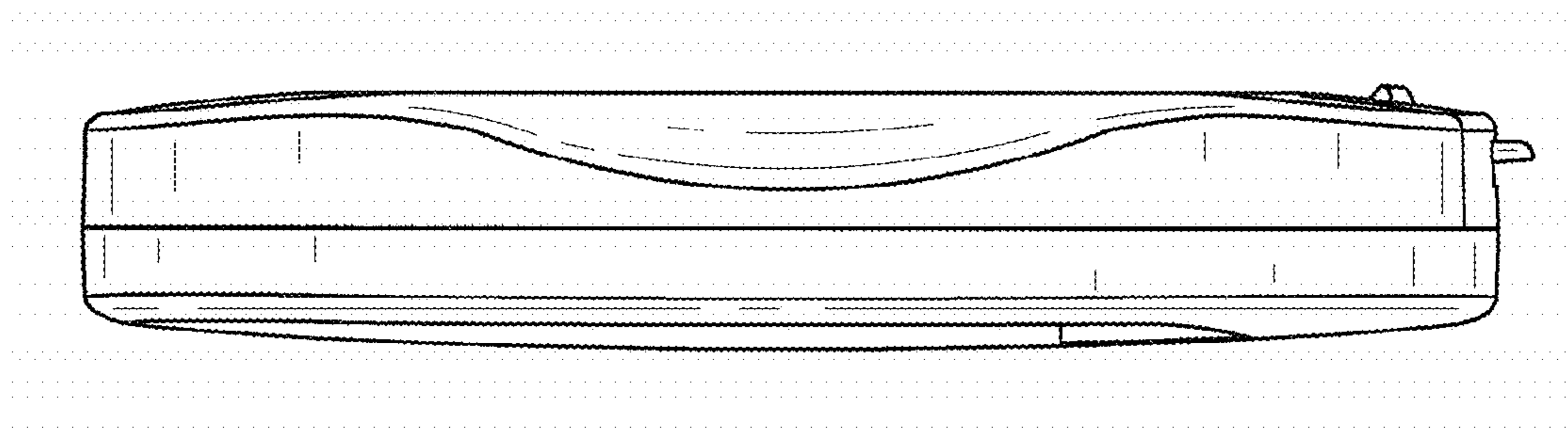


FIG. 7

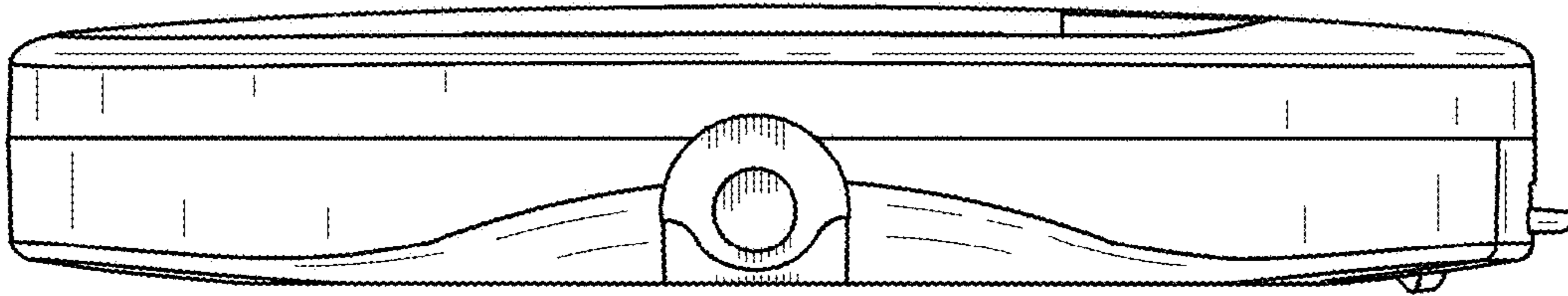


FIG. 8