



US00D690421S

(12) **United States Design Patent**
Charles

(10) **Patent No.:** **US D690,421 S**
(45) **Date of Patent:** **** Sep. 24, 2013**

- (54) **ARTICULATED MRI DEVICE**
- (71) Applicant: **Donald Charles**, Weed, CA (US)
- (72) Inventor: **Donald Charles**, Weed, CA (US)
- (**) Term: **14 Years**
- (21) Appl. No.: **29/455,233**
- (22) Filed: **May 17, 2013**

D470,589	S	2/2003	Choi et al.	
6,684,096	B2	1/2004	Schmit	
D492,997	S	7/2004	DiStasio	
D495,240	S	8/2004	Mnich et al.	
6,826,254	B2	11/2004	Mihara et al.	
7,098,660	B2	8/2006	Contrada	
7,394,256	B2	7/2008	Schubert	
D583,951	S	12/2008	Lewis	
D624,186	S	9/2010	Youn	
D679,016	S *	3/2013	Jarva	D24/158
8,424,833	B2 *	4/2013	Muller et al.	248/639
D685,478	S *	7/2013	Lomas et al.	D24/158
2010/0198052	A1	8/2010	Jenkins	

Related U.S. Application Data

- (62) Division of application No. 29/439,038, filed on Dec. 5, 2012, now Pat. No. Des. 685,479.
- (51) **LOC (9) Cl.** **24-01**
- (52) **U.S. Cl.**
USPC **D24/158**
- (58) **Field of Classification Search**
USPC D24/158-161, 185, 186; D8/355,
D8/363; 248/278.1, 324; 378/19, 21-27,
378/38, 39, 146, 179, 193, 195, 208
See application file for complete search history.

* cited by examiner

Primary Examiner — Anhdao Doan

(74) *Attorney, Agent, or Firm* — QuickPatents; Kevin Prince

(57) **CLAIM**

I claim the ornamental design for an articulated MRI device, as shown and described.

DESCRIPTION

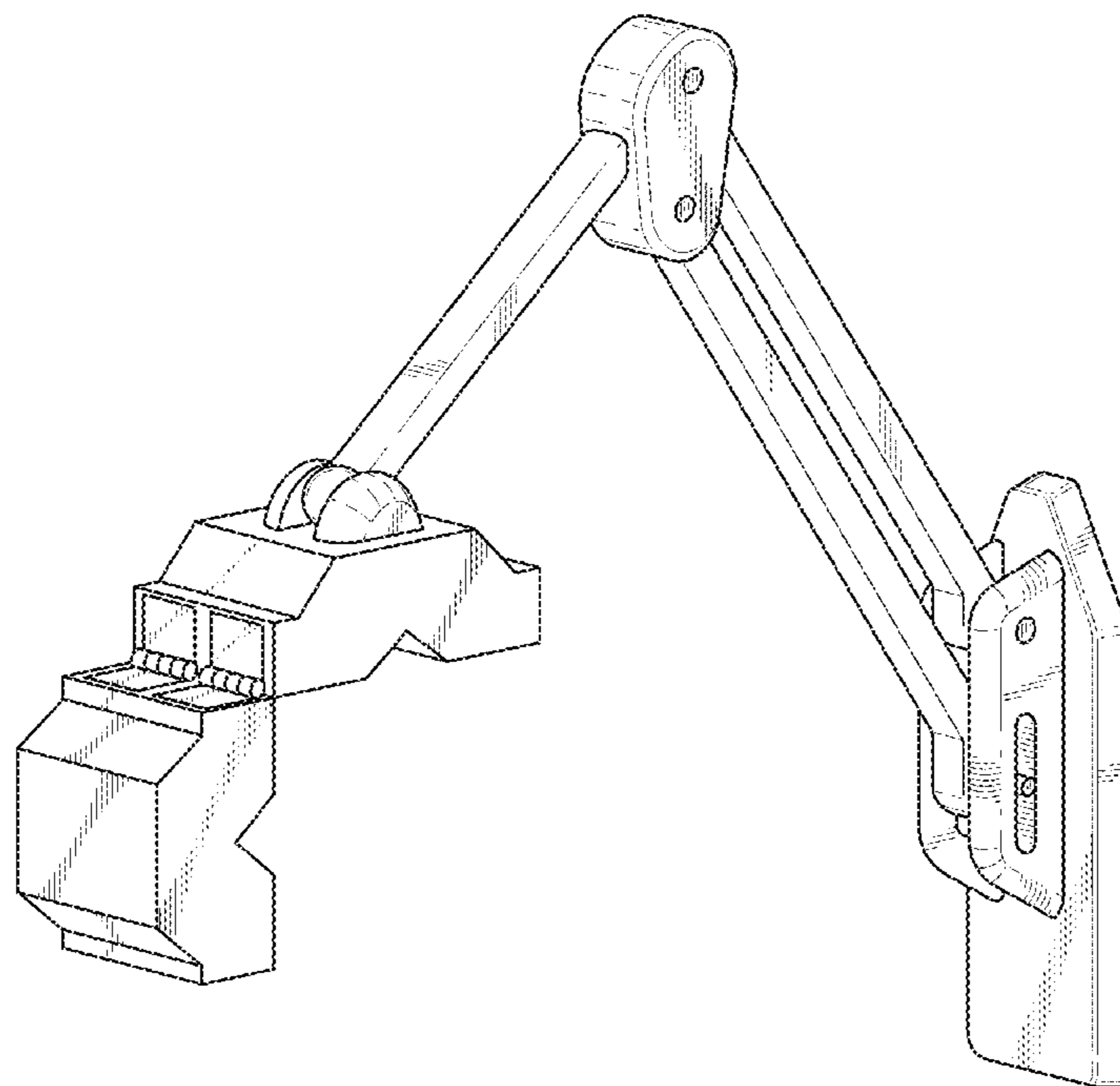
FIG. 1 is a perspective view of an articulated MRI device, showing my new design with a clamshell imaging head in an open position;
 FIG. 2 is a right-side elevational view of FIG. 1, the left-side elevational view being a mirror image thereof;
 FIG. 3 is a front elevational view of FIG. 1;
 FIG. 4 is a rear elevational view of FIG. 1;
 FIG. 5 is a top plan view of FIG. 1;
 FIG. 6 is a bottom plan view of FIG. 1; and,
 FIG. 7 is a perspective view thereof, showing the clamshell imaging head in a closed position.

(56) **References Cited**

U.S. PATENT DOCUMENTS

D181,521	S	11/1957	Ensign
D246,534	S	11/1977	Buckley
4,166,602	A	9/1979	Nilsen et al.
4,590,695	A	5/1986	McGillivray
D290,500	S	6/1987	Markas et al.
5,003,278	A	3/1991	May
5,435,302	A	7/1995	Lenkinski
6,141,580	A	10/2000	Hayashi

1 Claim, 5 Drawing Sheets



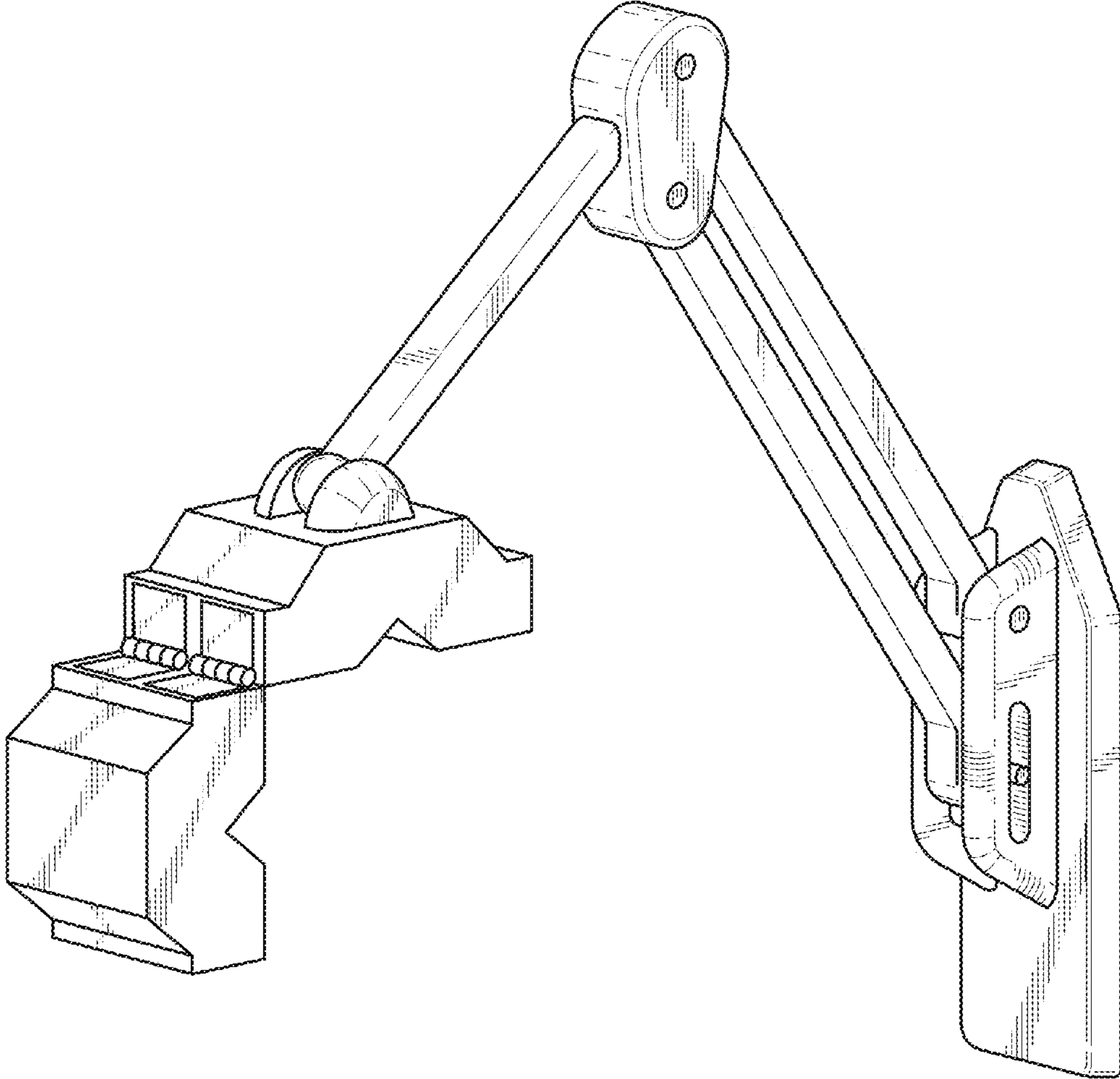


FIG. 1

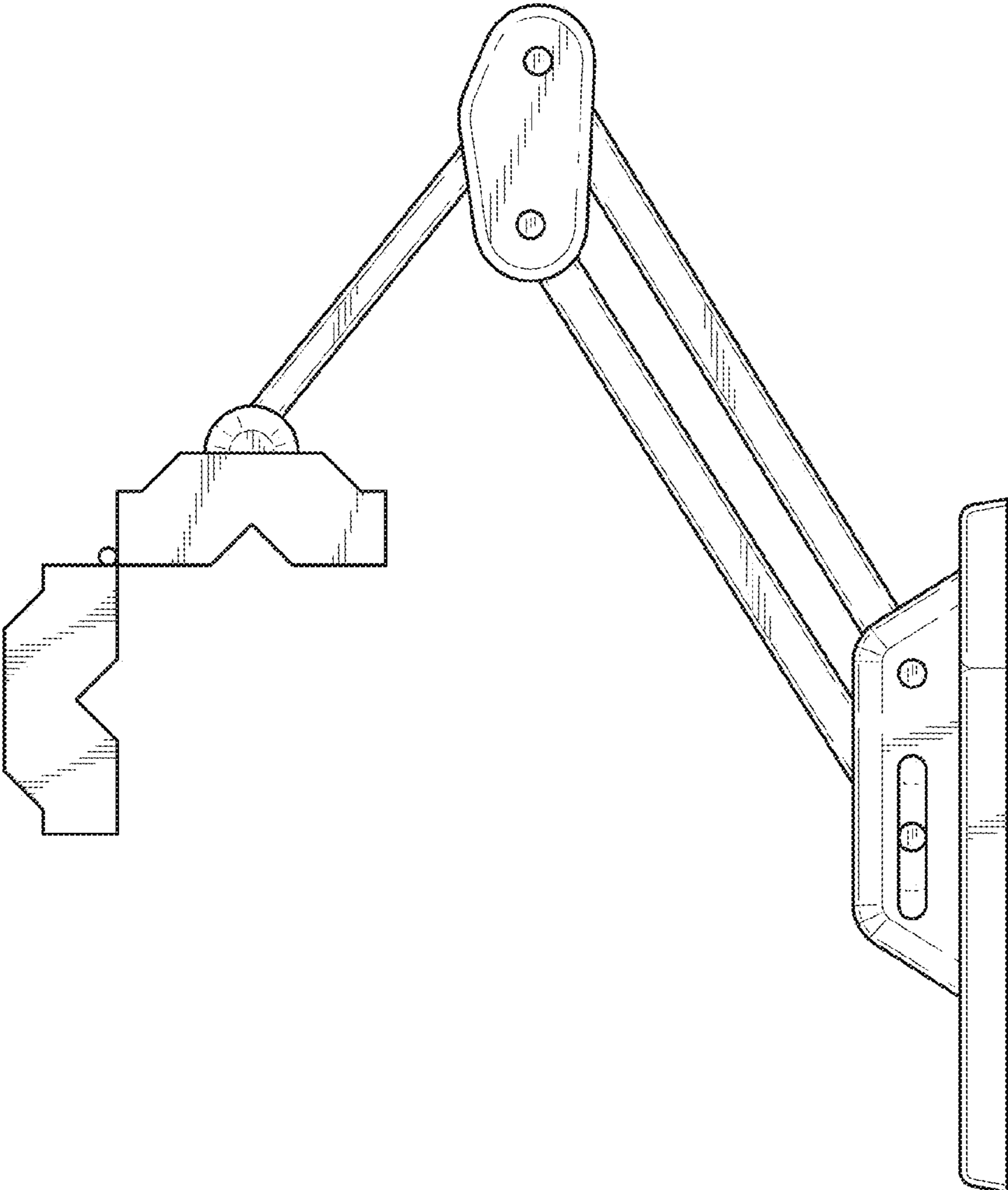


FIG. 2

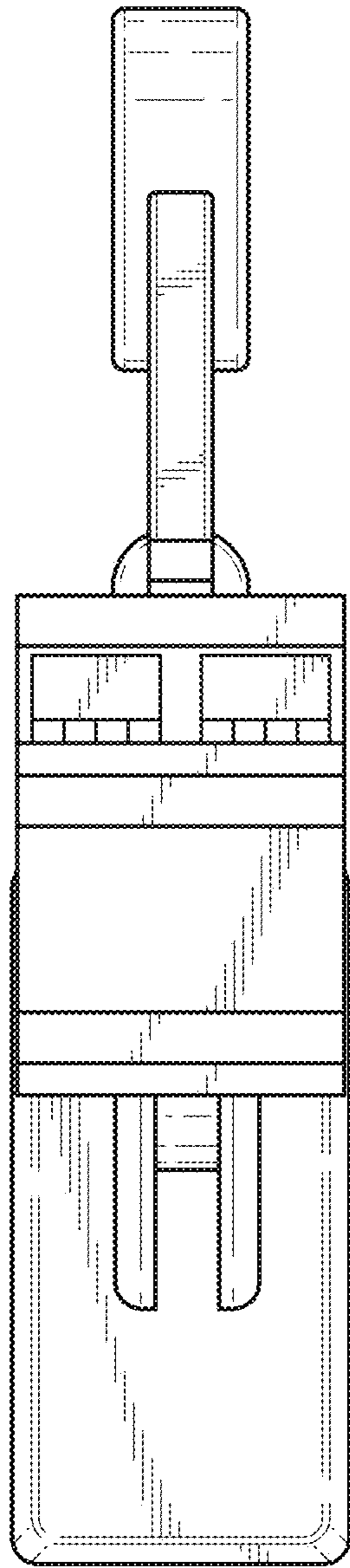


FIG. 3

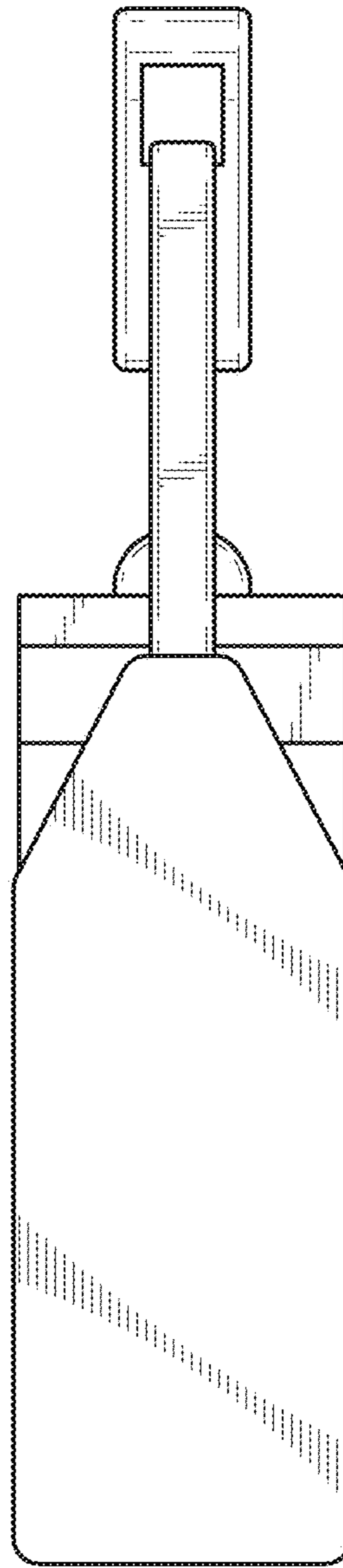


FIG. 4

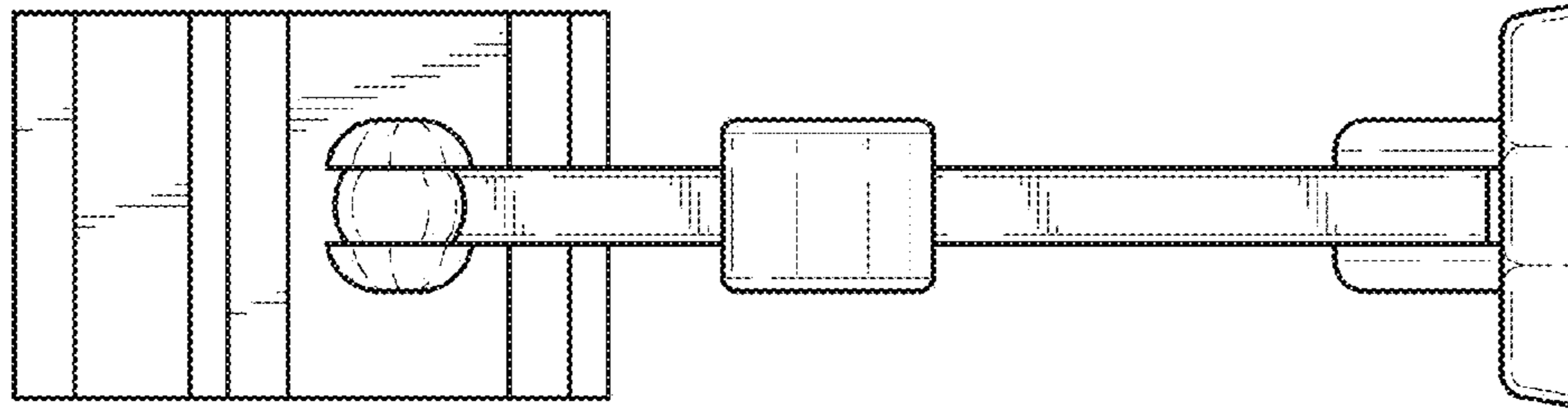


FIG. 5

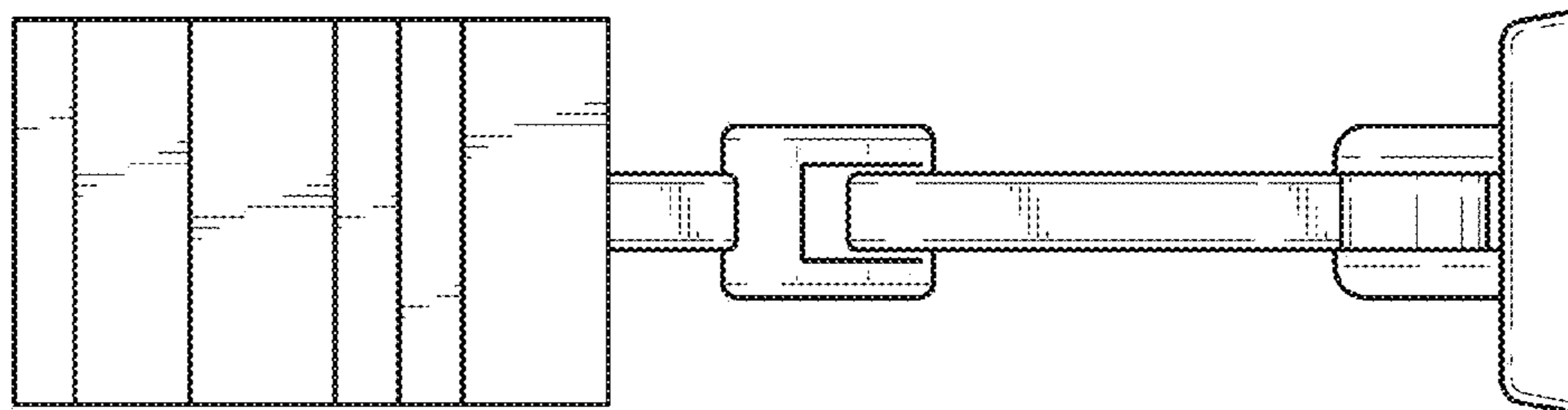


FIG. 6

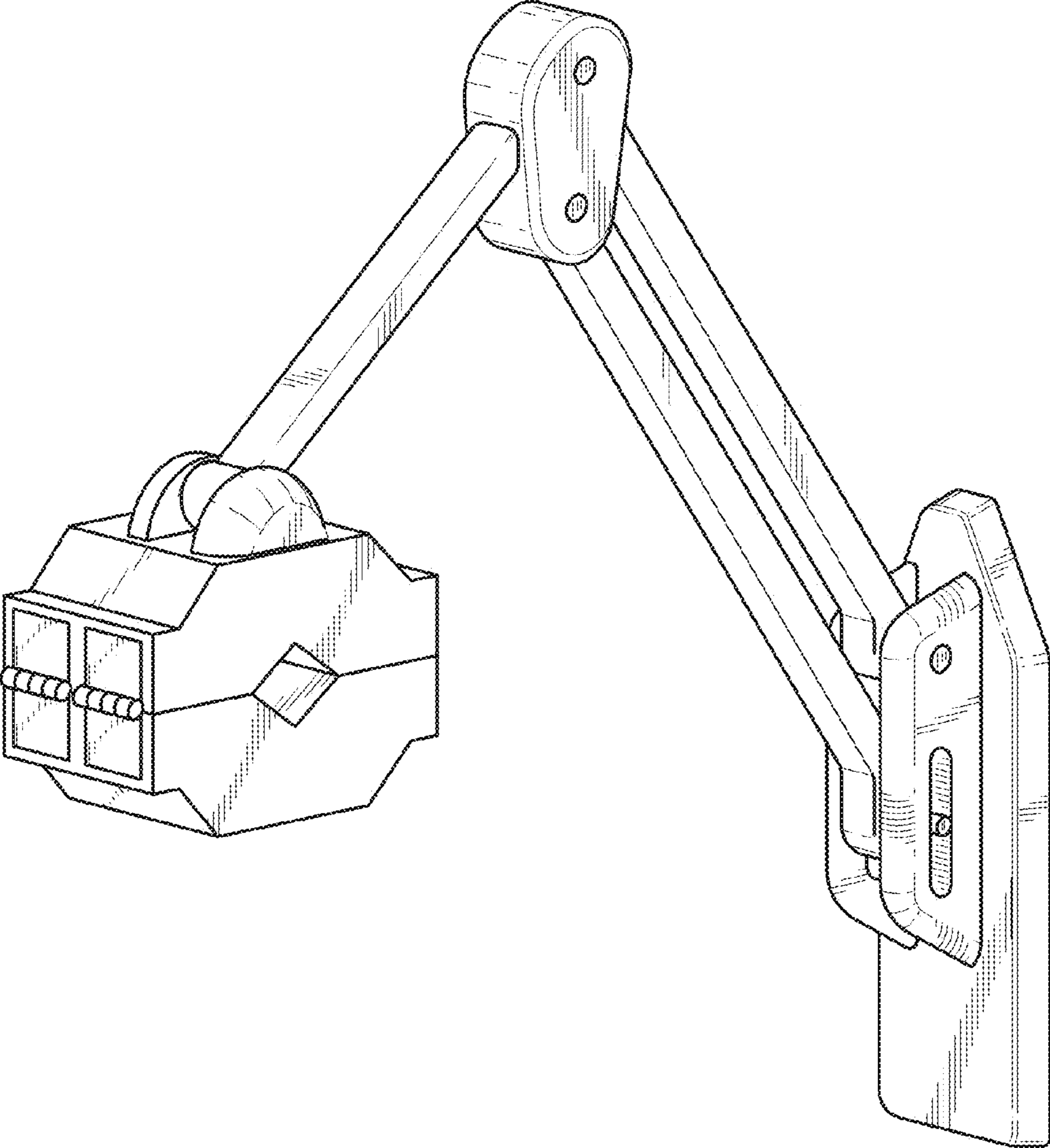


FIG. 7