



US00D690419S

(12) **United States Design Patent**
Porat

(10) **Patent No.:** **US D690,419 S**

(45) **Date of Patent:** **** Sep. 24, 2013**

(54) **FORCEPS**

(76) Inventor: **Amir Porat**, Yehud (IL)

(**) Term: **14 Years**

(21) Appl. No.: **29/430,451**

(22) Filed: **Aug. 24, 2012**

(51) **LOC (9) Cl.** **24-02**

(52) **U.S. Cl.**
USPC **D24/143; D28/55**

(58) **Field of Classification Search**
USPC D24/133, 143, 146-147; D28/55;
294/99.2; 606/167, 172, 184-185, 205-206,
606/210

See application file for complete search history.

(56) **References Cited**

U.S. PATENT DOCUMENTS

1,386,436	A *	8/1921	Smith	294/99.2
1,657,497	A *	1/1928	Cichon	294/99.2
D292,031	S *	9/1987	Kirkpatrick	D28/55
4,693,246	A *	9/1987	Reimels	606/148
4,761,028	A *	8/1988	Dulebohn	294/99.2
5,015,252	A *	5/1991	Jones	606/205
5,019,091	A *	5/1991	Porat et al.	606/205
D331,800	S *	12/1992	Han	D24/143
D341,886	S *	11/1993	Stolte	D24/143
D456,077	S *	4/2002	Etter et al.	D24/143
6,431,864	B1 *	8/2002	Silverstein	433/159
D559,984	S *	1/2008	Scheller	D24/143

* cited by examiner

Primary Examiner — Wan Laymon

(74) *Attorney, Agent, or Firm* — Guy Levi; The IP Law Firm of Guy Levi, LLC

(57) **CLAIM**

I claim, the ornamental design for forceps, as shown and described.

DESCRIPTION

FIG. 1 shows a bottom left isometric view of a first embodiment of the forceps I claim.

FIG. 2 shows a bottom left isometric view of a second embodiment of the forceps I claim.

FIG. 3 shows a top view of a first embodiment of the forceps I claim.

FIG. 4 shows a bottom view of the second embodiment of the forceps I claim.

FIG. 5 shows another aspect of a top view of the first embodiment of the forceps I claim.

FIG. 6 shows a front view of a first embodiment of the forceps I claim.

FIG. 7 shows a rear view of a first embodiment of the forceps I claim.

FIG. 8 shows a front view of a second embodiment of the forceps I claim.

FIG. 9 shows a rear view of a second embodiment of the forceps I claim.

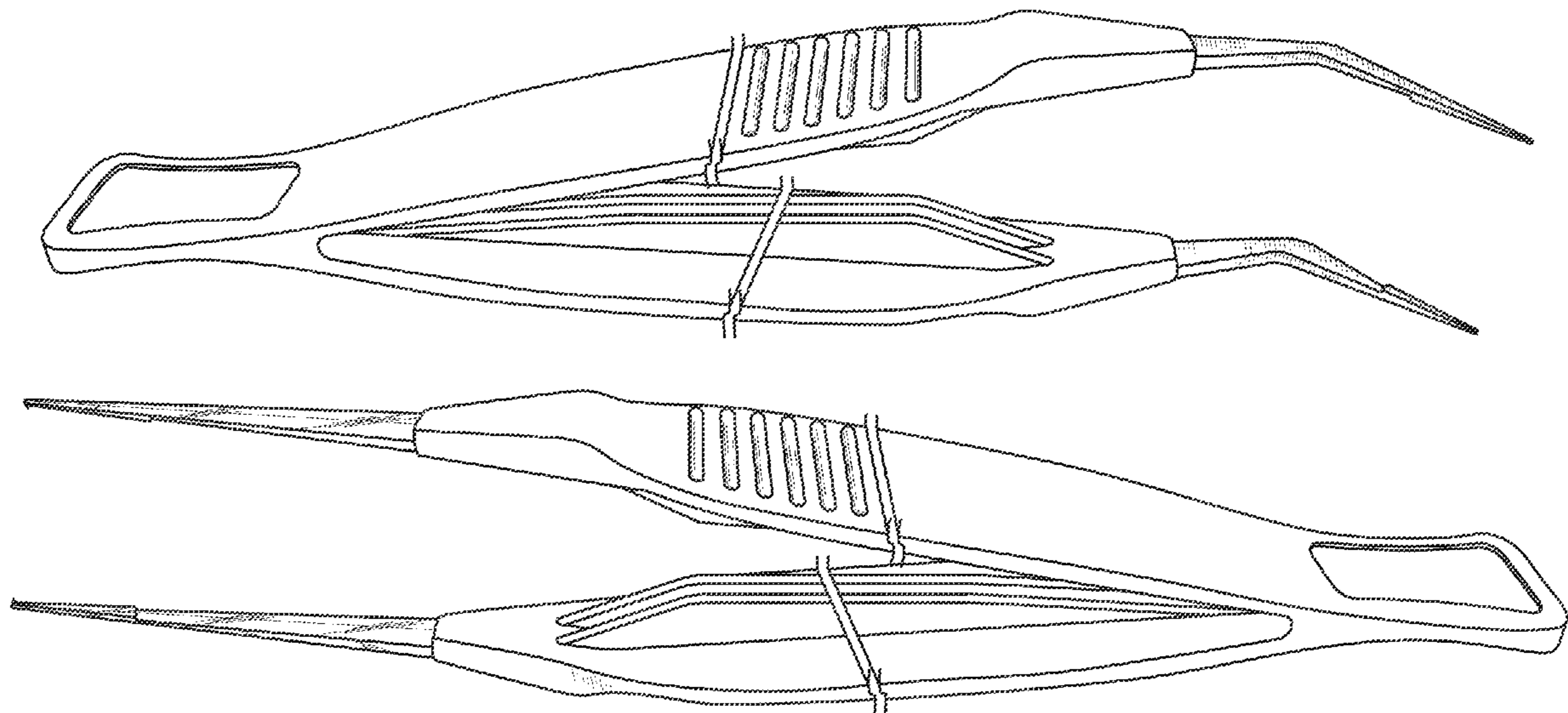
FIG. 10 shows a left side view of a first embodiment of the forceps I claim.

FIG. 11 shows a side view of a second embodiment of the forceps I claim; and,

FIG. 12 shows a right side view of a first embodiment of the forceps I claim.

The broken-away symbols in FIGS. 1-5 and 10-12 indicate that any portion of the article beyond what is shown forms no part of the claimed design.

1 Claim, 5 Drawing Sheets



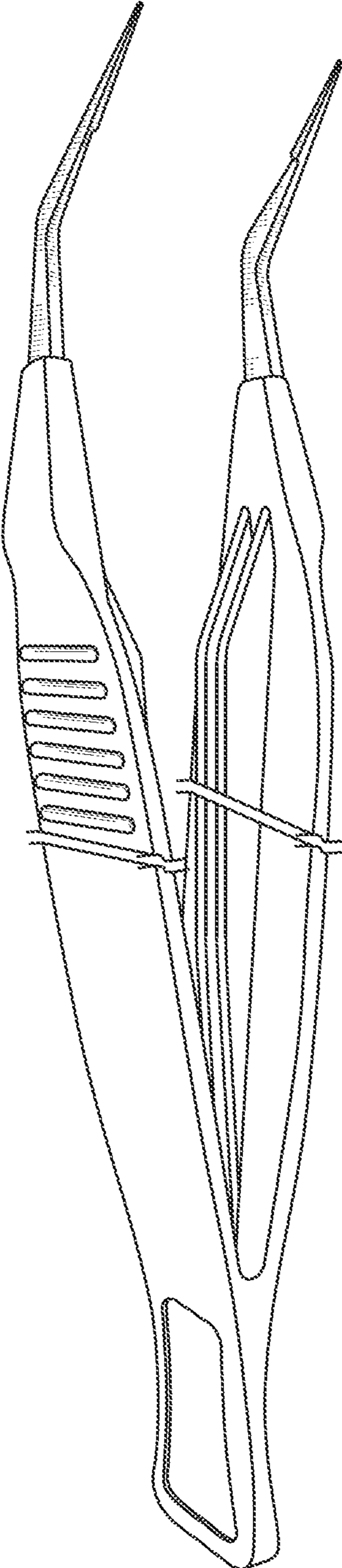


FIG. 1

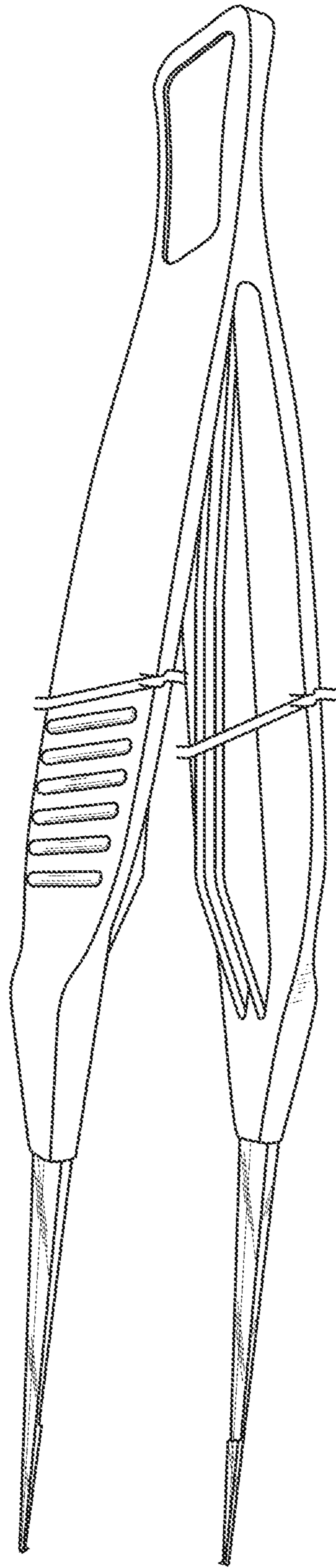


FIG. 2

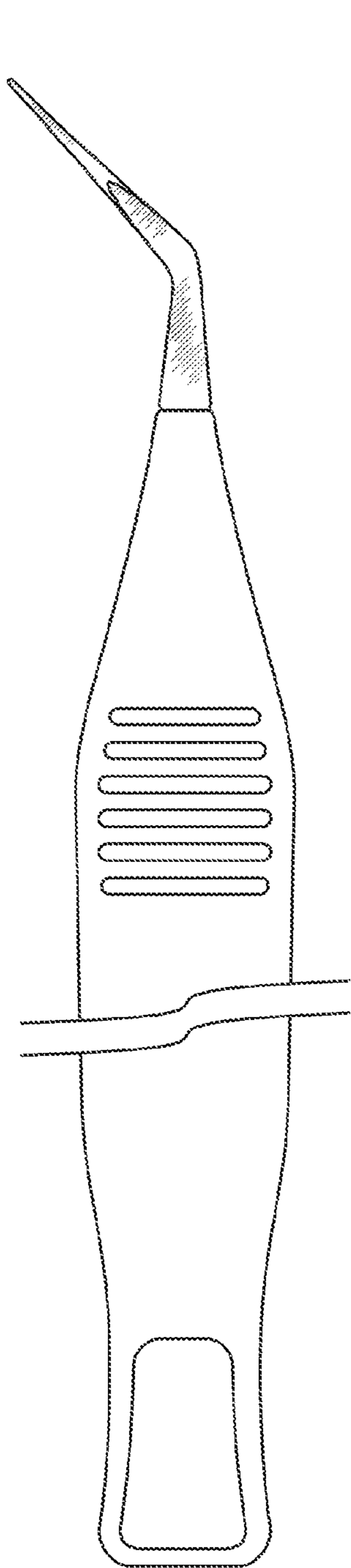


FIG. 3

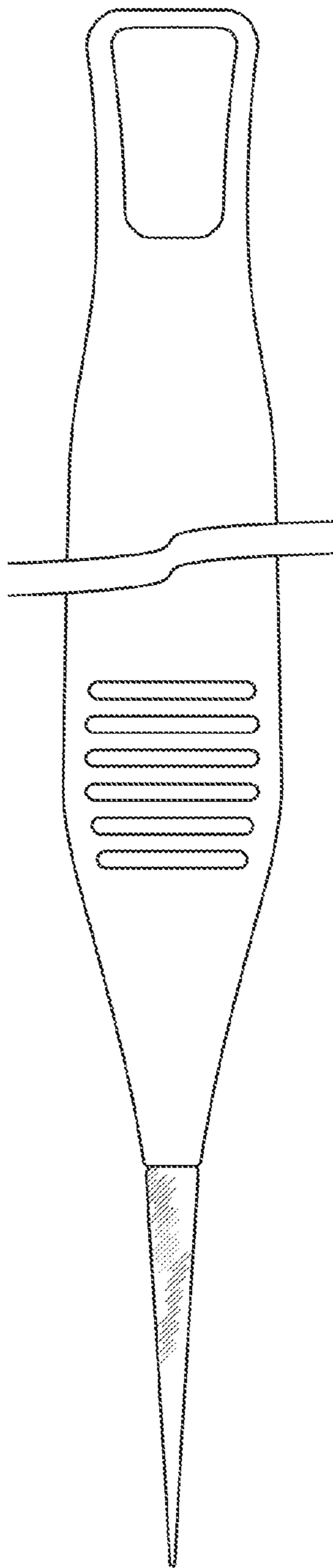


FIG. 4

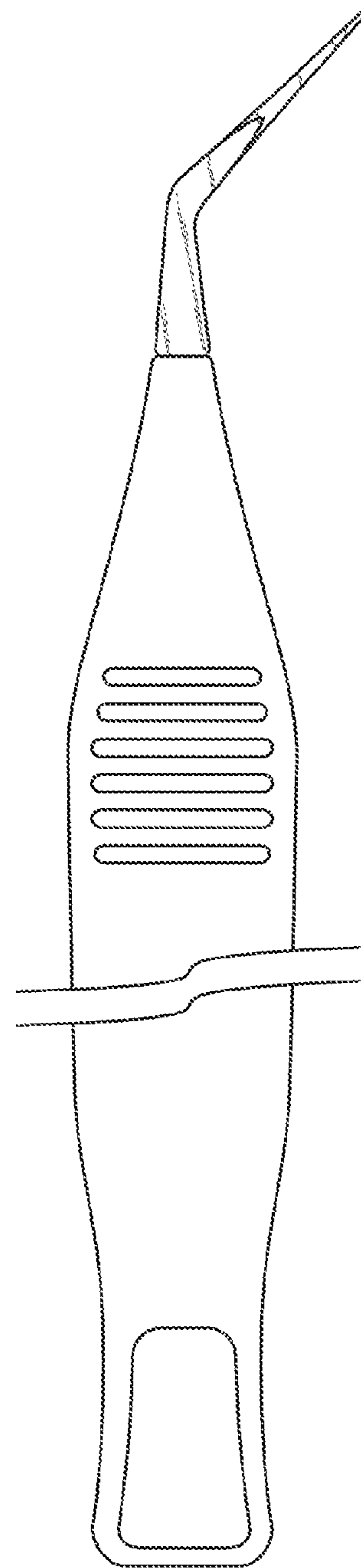


FIG. 5

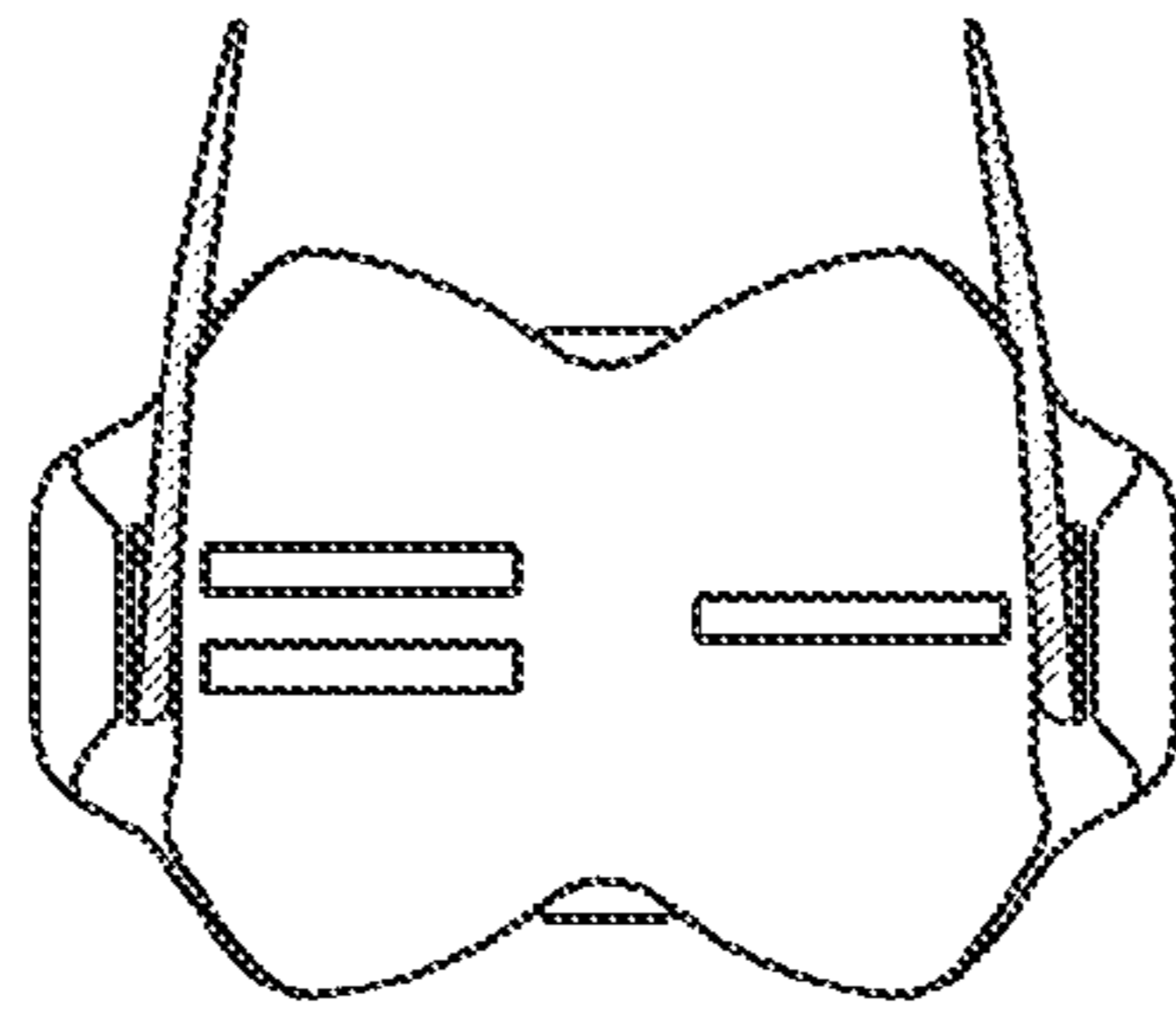


FIG. 6

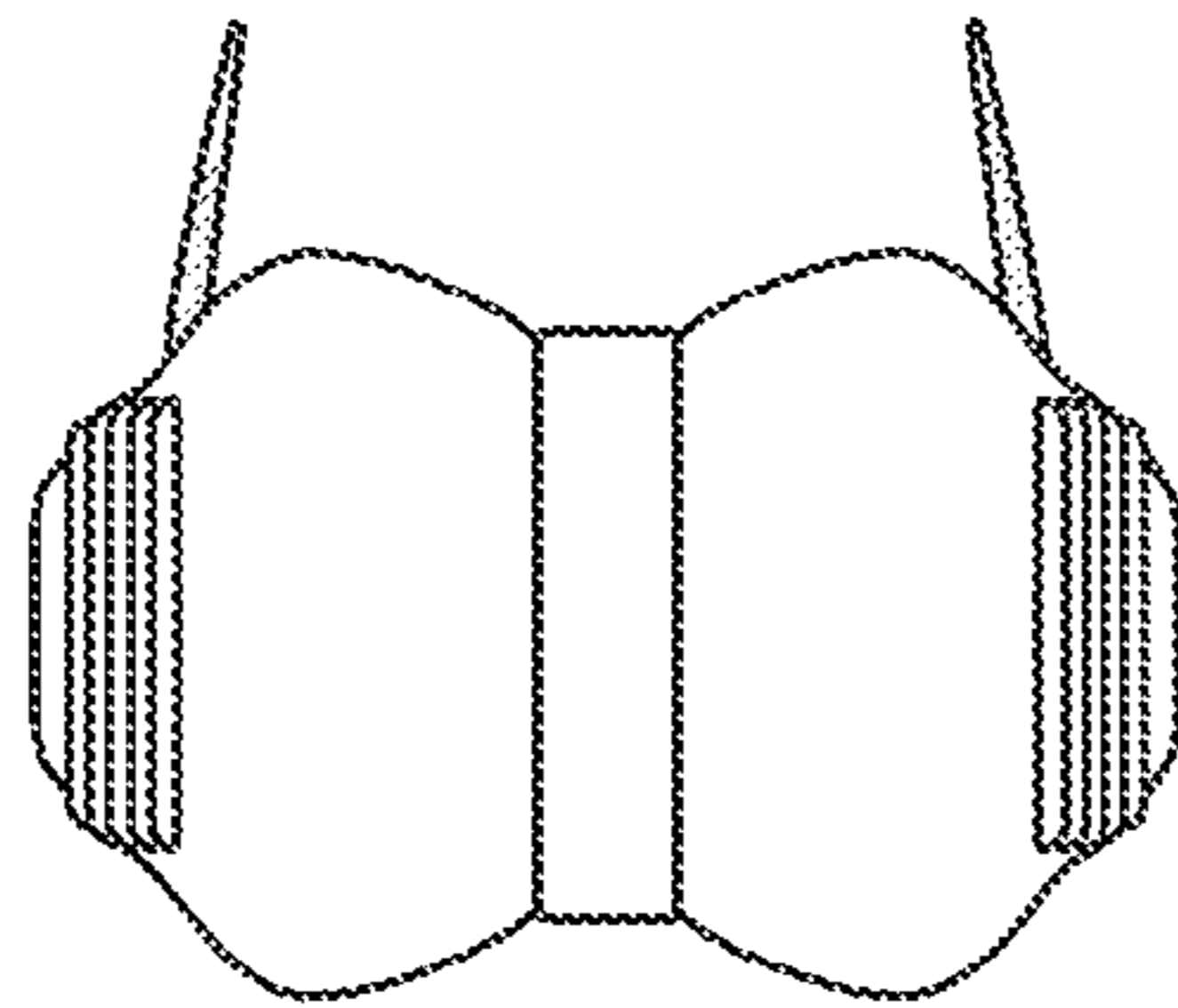


FIG. 7

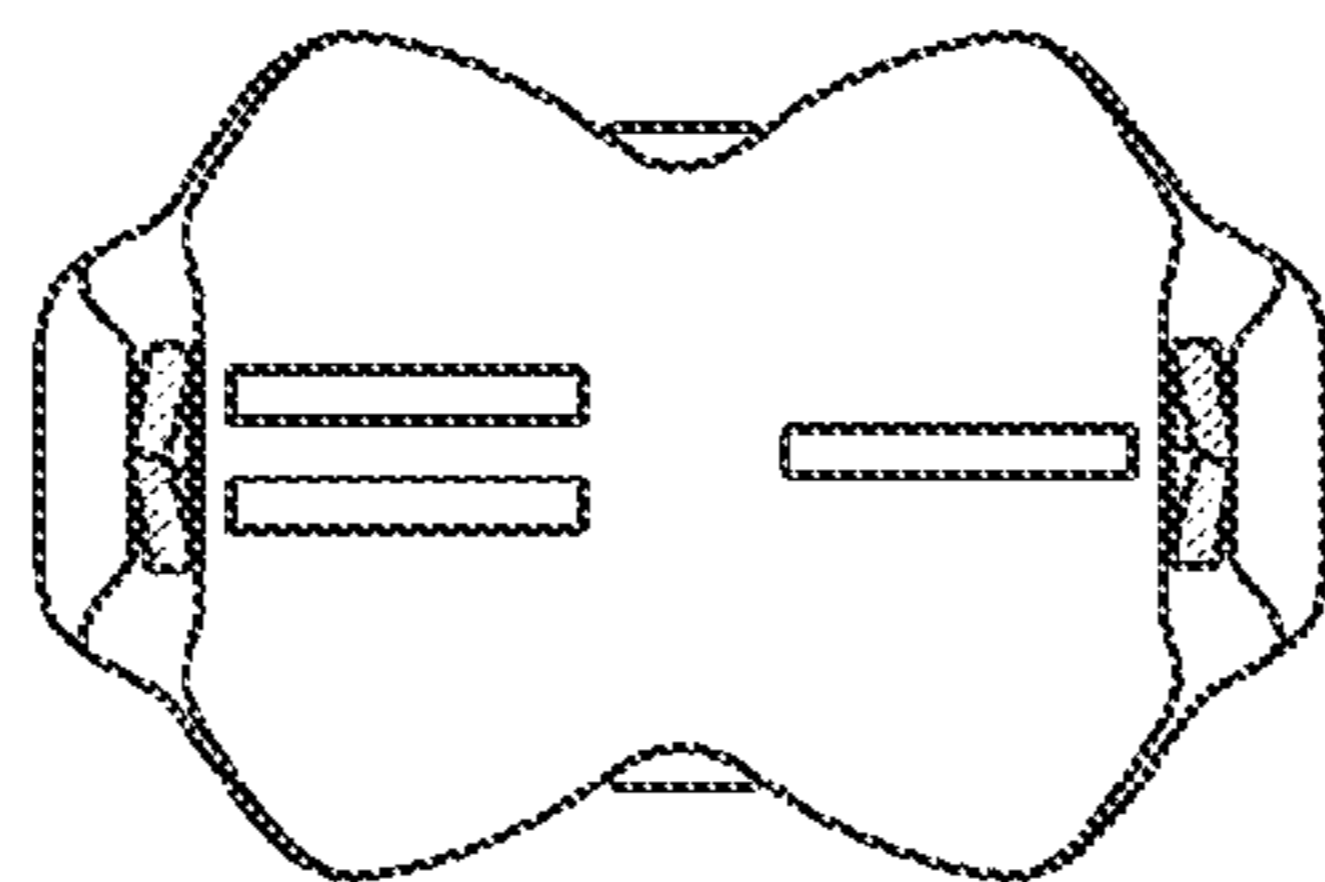


FIG. 8

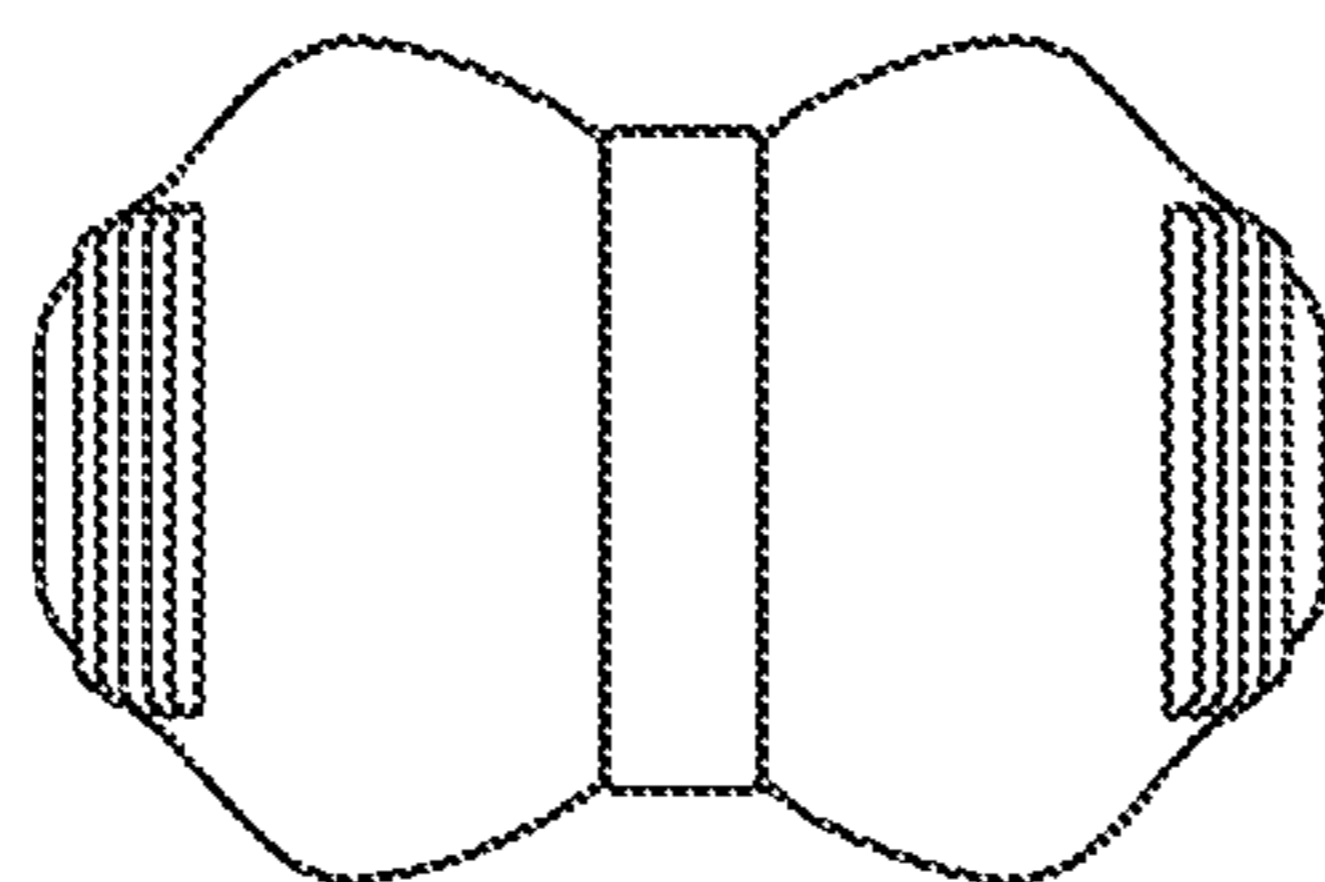


FIG. 9

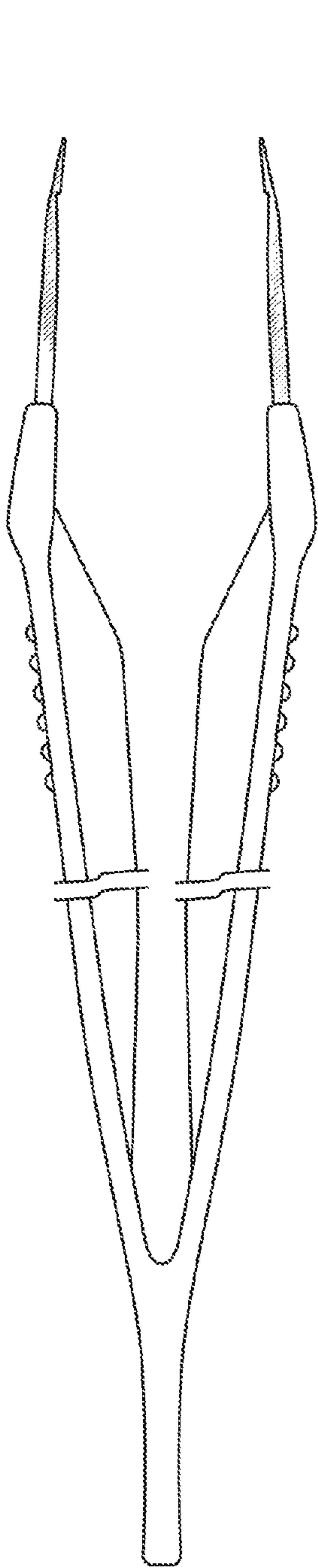


FIG. 10

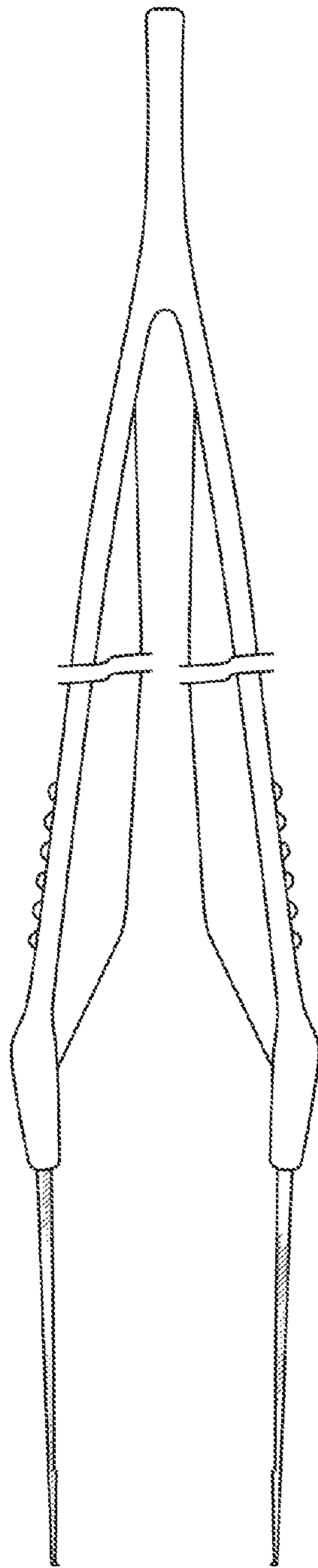


FIG. 11

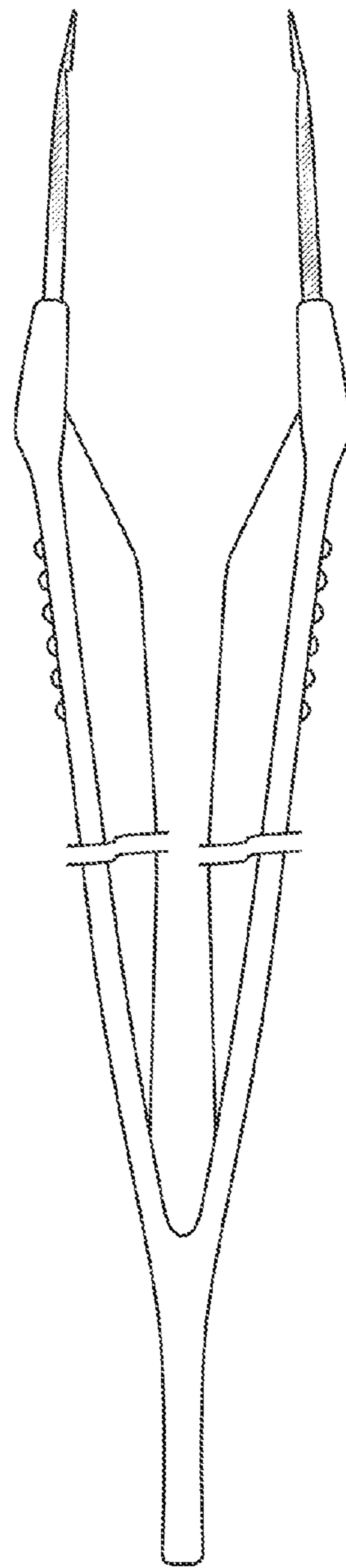


FIG. 12