



US00D690418S

(12) **United States Design Patent**
Rosenquist

(10) **Patent No.:** **US D690,418 S**

(45) **Date of Patent:** **** Sep. 24, 2013**

(54) **MEDICAL DEVICE**

(75) **Inventor:** **Tobias Rosenquist, Källered (SE)**

(73) **Assignee:** **Carmel Pharma AB, Gothenburg (SE)**

(**) **Term:** **14 Years**

(21) **Appl. No.:** **29/405,498**

(22) **Filed:** **Nov. 2, 2011**

(30) **Foreign Application Priority Data**

May 2, 2011 (EP) 001857954

(51) **LOC (9) Cl.** **24-02**

(52) **U.S. Cl.**
USPC **D24/129**

(58) **Field of Classification Search**
USPC D24/107-108, 11, 127, 129, 133;
141/311 R, 313, 319, 326, 329, 346, 367,
141/383, 384, 387; 285/85-86, 91-92; 604/27,
604/93.01, 192, 198, 411, 414, 533-535,
604/905

See application file for complete search history.

(56) **References Cited**

U.S. PATENT DOCUMENTS

719,829 A * 2/1903 Mayer 285/85
D342,135 S * 12/1993 Goldberger et al. D24/129

D369,406 S *	4/1996	Niedospial et al.	D24/129
6,682,509 B2 *	1/2004	Lopez	604/905
7,281,947 B2 *	10/2007	Pescatore	439/578
7,942,860 B2 *	5/2011	Horppu	604/411
D639,939 S *	6/2011	Klockars et al.	D24/129
7,975,733 B2 *	7/2011	Horppu et al.	604/414
D644,731 S *	9/2011	Fangrow, Jr.	D24/129
8,162,013 B2 *	4/2012	Rosenquist et al.	141/384
8,287,513 B2 *	10/2012	Ellstrom et al.	141/319
2010/0152669 A1 *	6/2010	Rosenquist	604/192
2012/0209238 A1 *	8/2012	Rosenquist et al.	604/403

* cited by examiner

Primary Examiner — Wan Laymon

(74) *Attorney, Agent, or Firm* — Servilla Whitney LLC

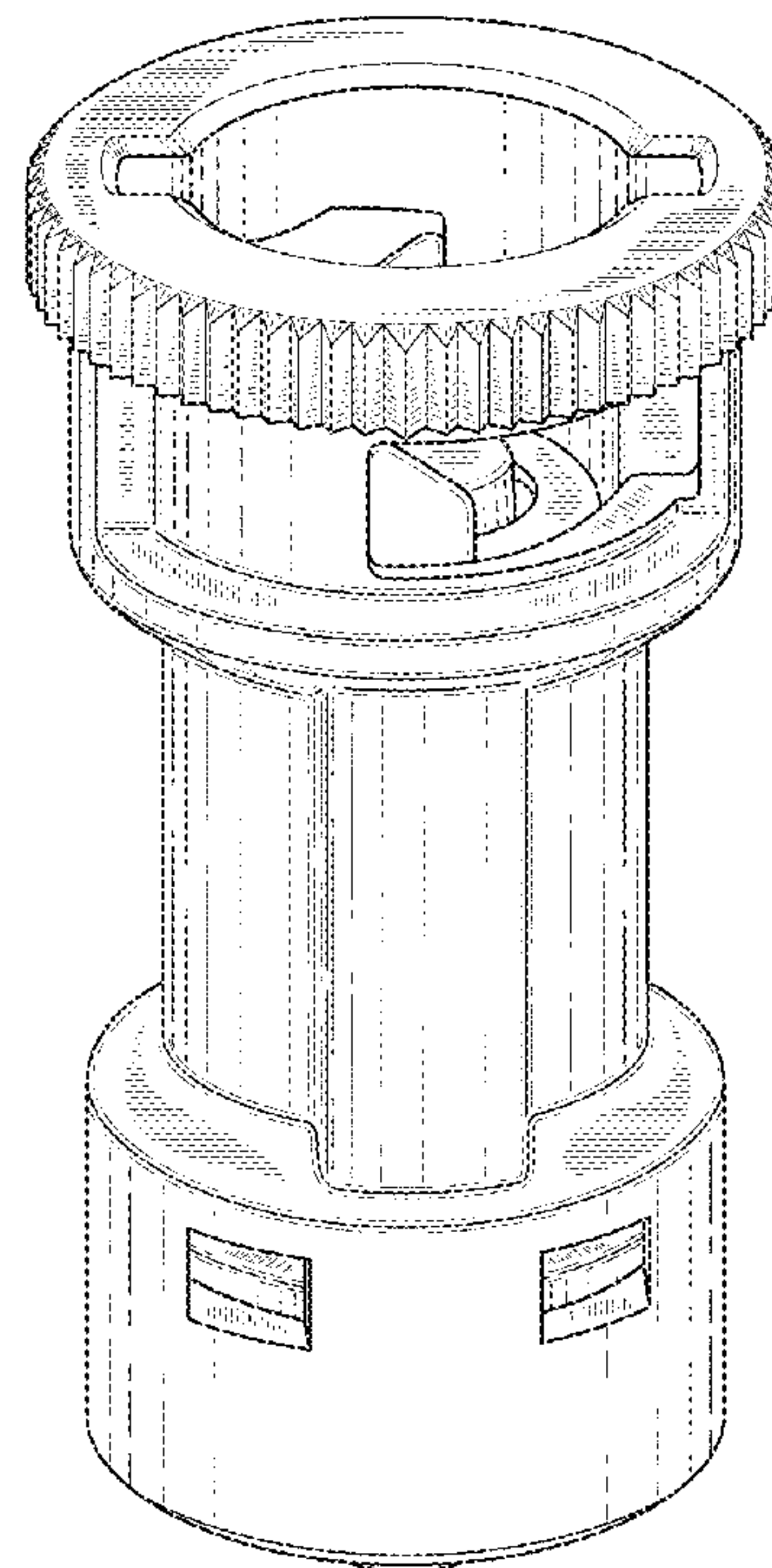
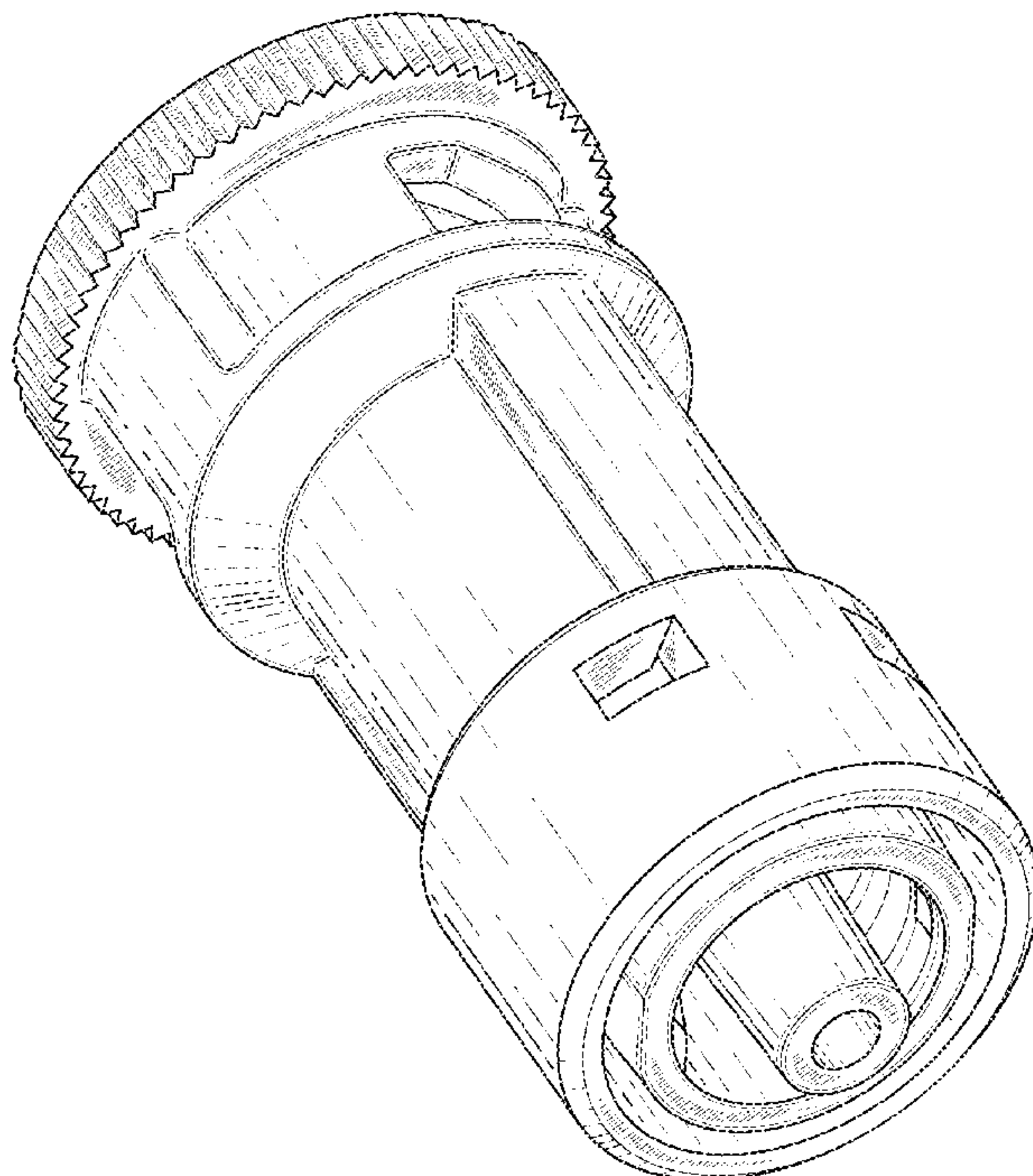
(57) **CLAIM**

The ornamental design for a medical device, as shown and described.

DESCRIPTION

FIG. 1 is a perspective view of a medical device.
FIG. 2 is another perspective view of the medical device of FIG. 1.
FIG. 3 is another perspective view of the medical device of FIG. 1.
FIG. 4 is a side view of the medical device of FIG. 1.
FIG. 5 is a front view of the medical device of FIG. 1.
FIG. 6 is a top view of the medical device of FIG. 1; and,
FIG. 7 is a bottom view of the medical device of FIG. 1.

1 Claim, 7 Drawing Sheets



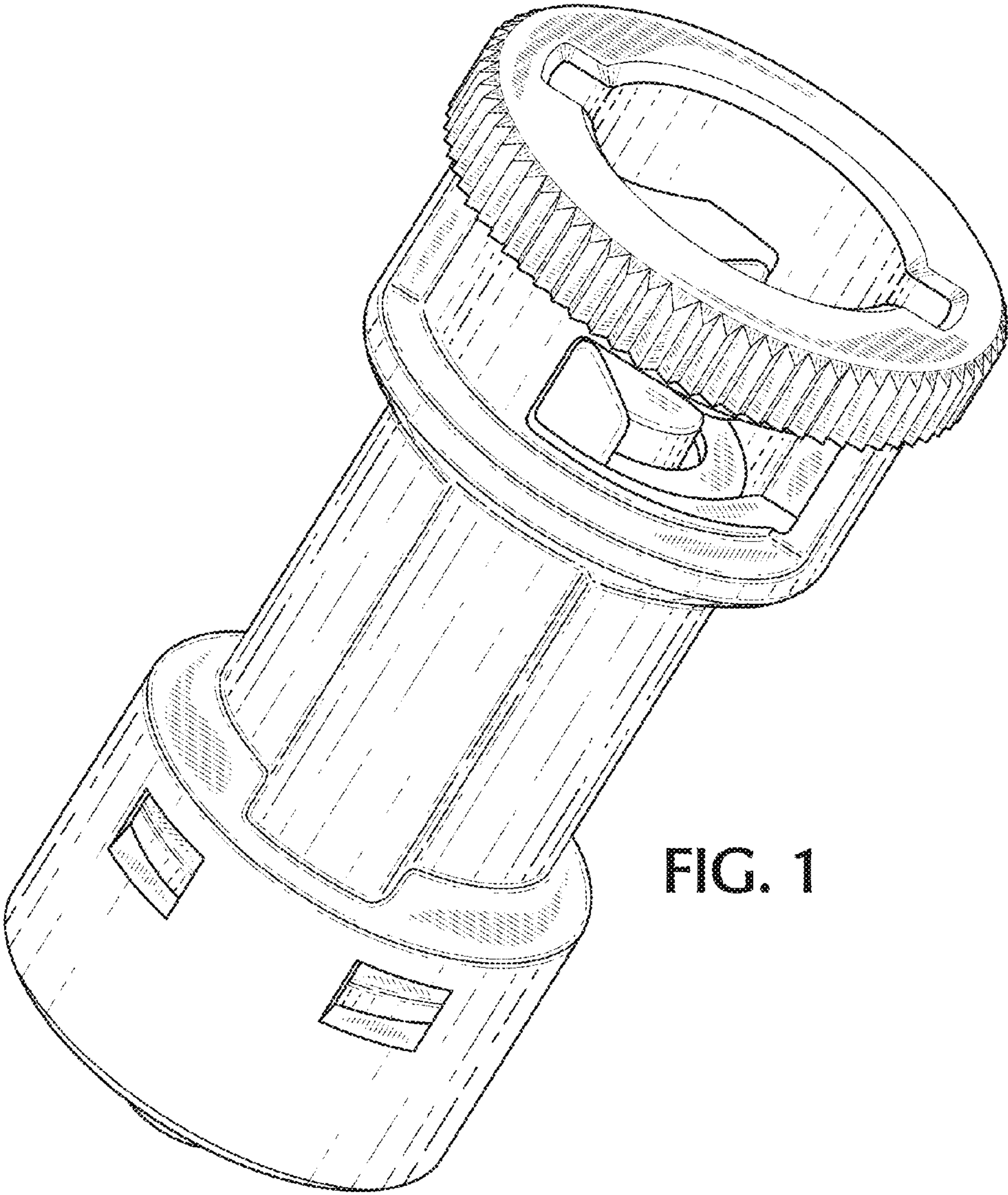


FIG. 1

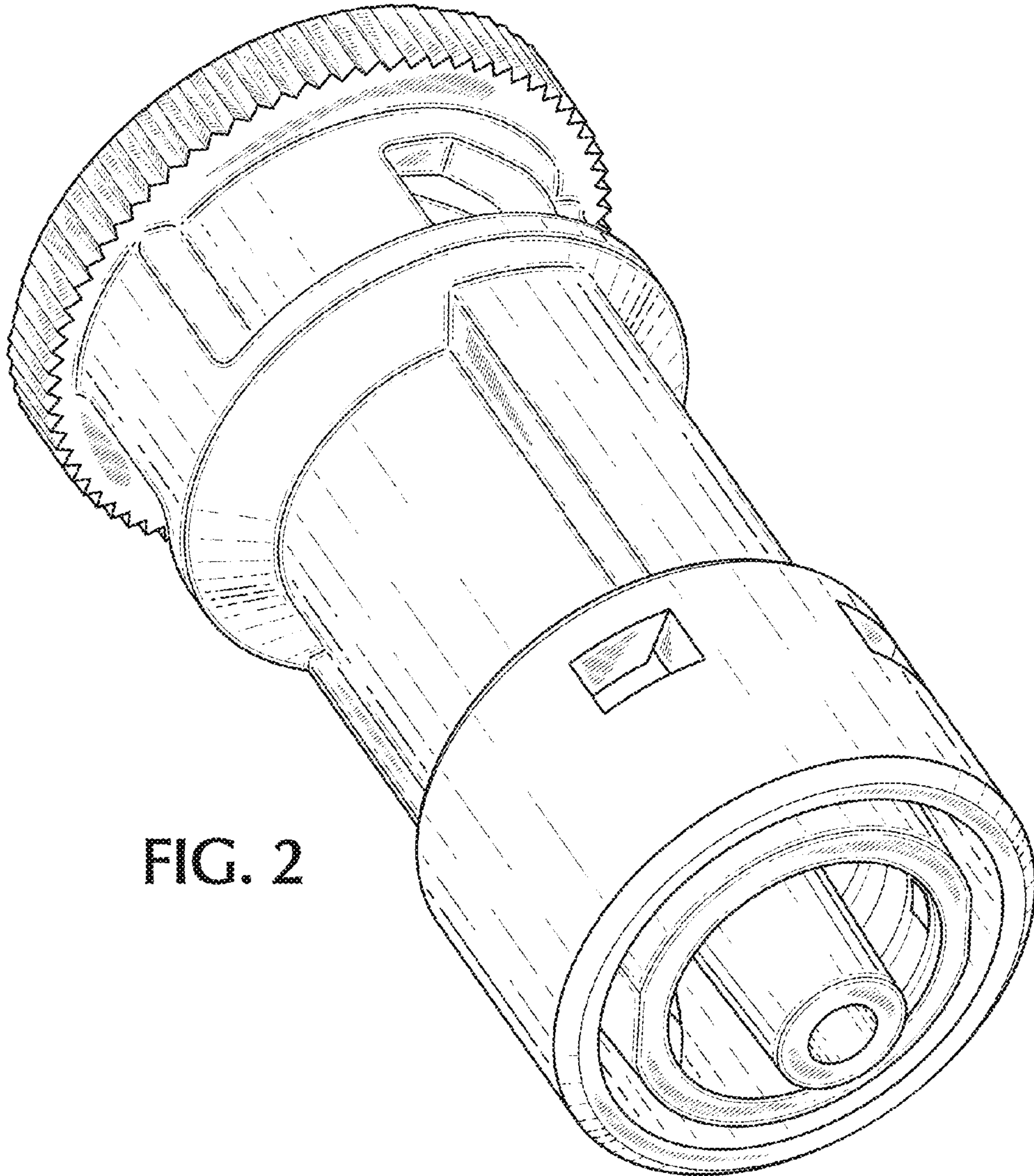


FIG. 2

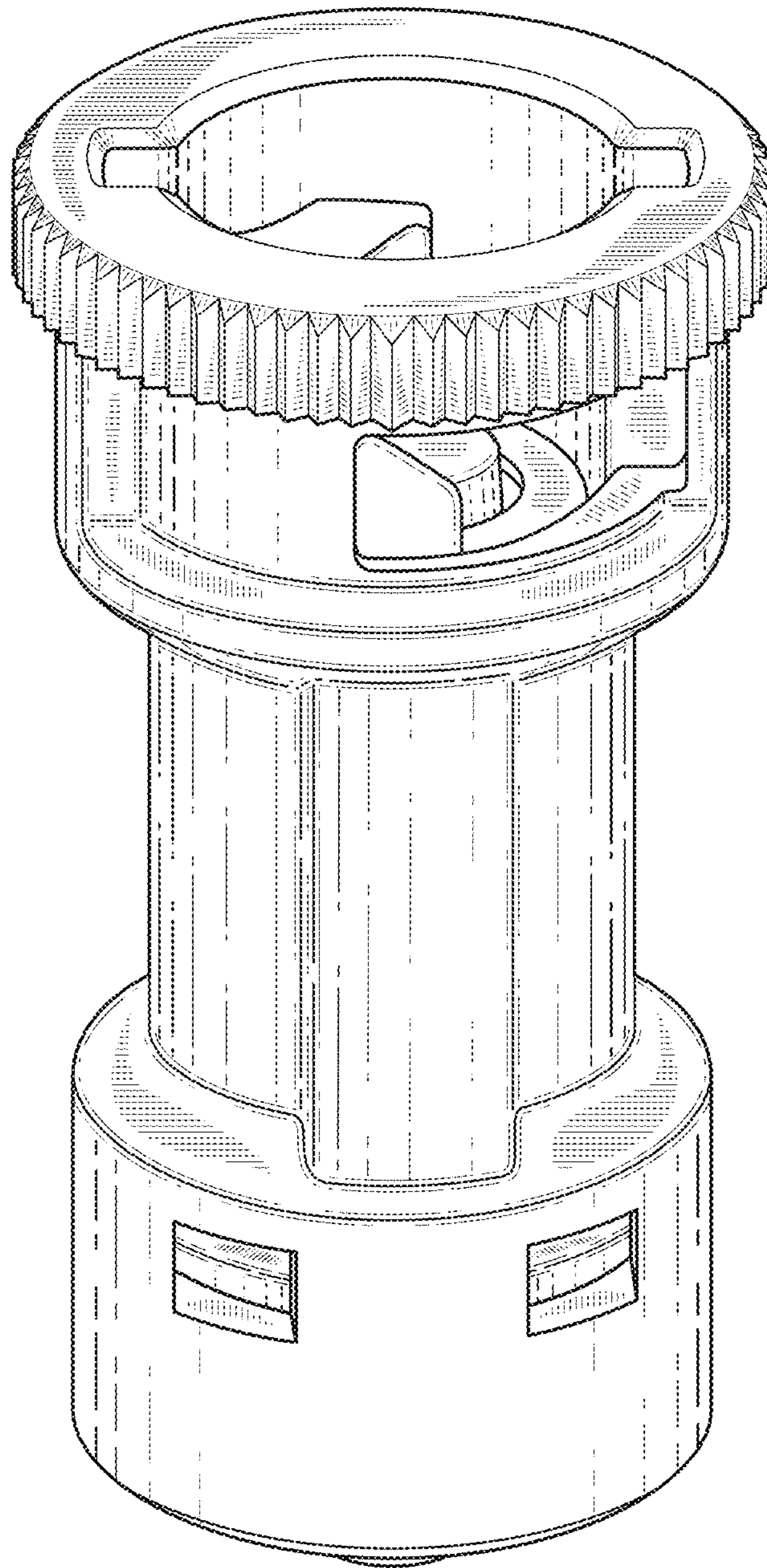


FIG. 3

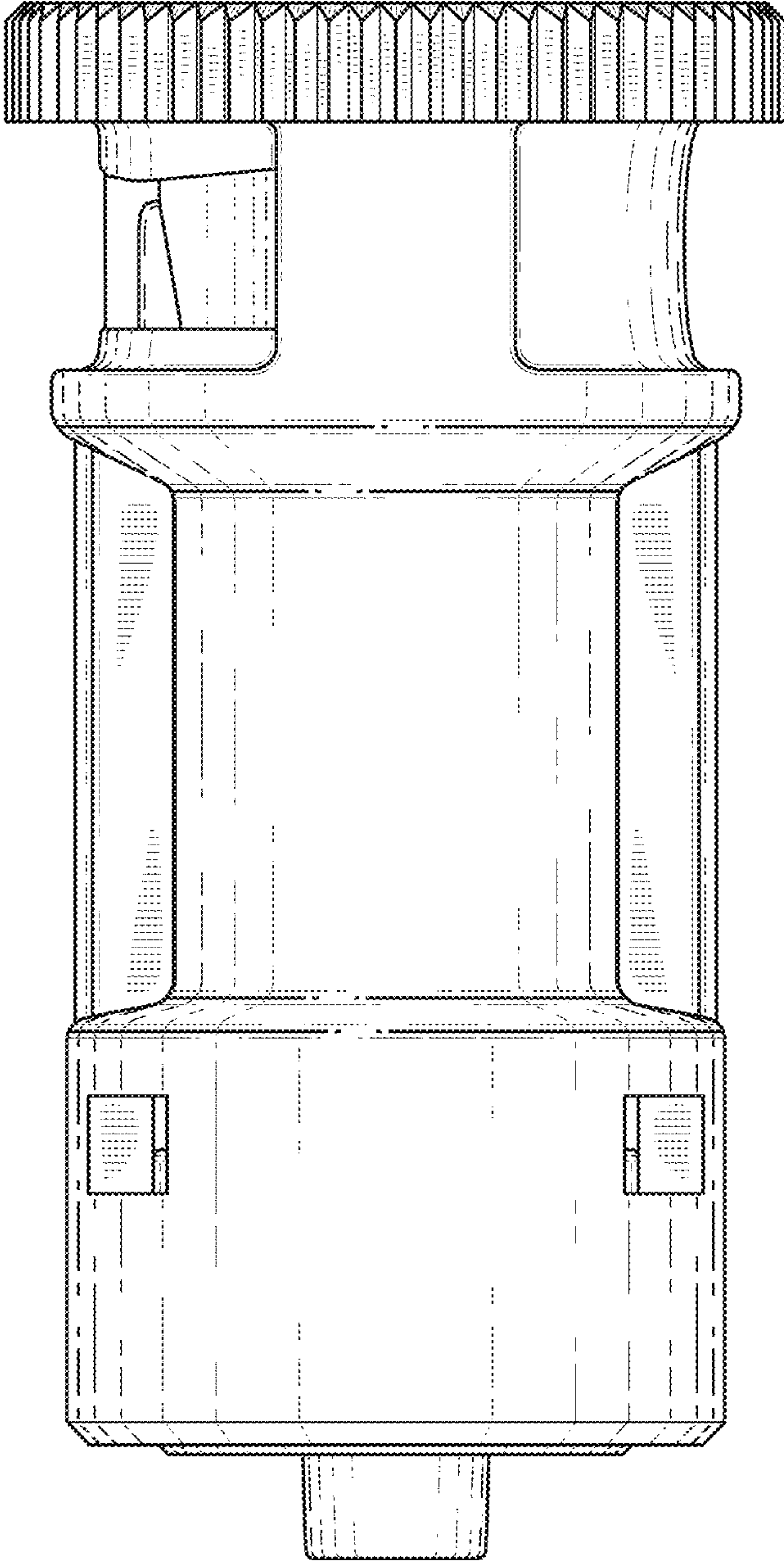


FIG. 4

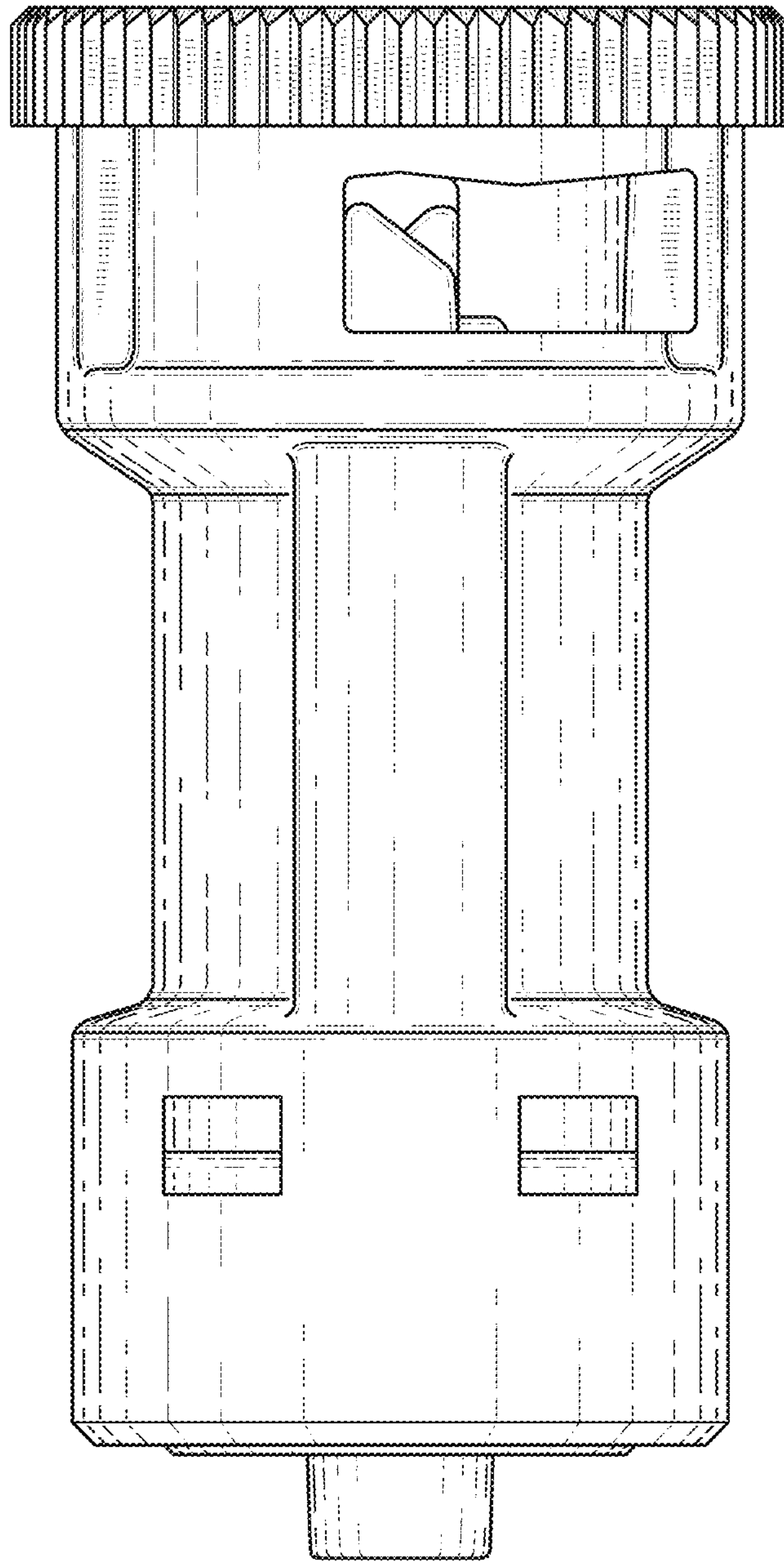


FIG. 5

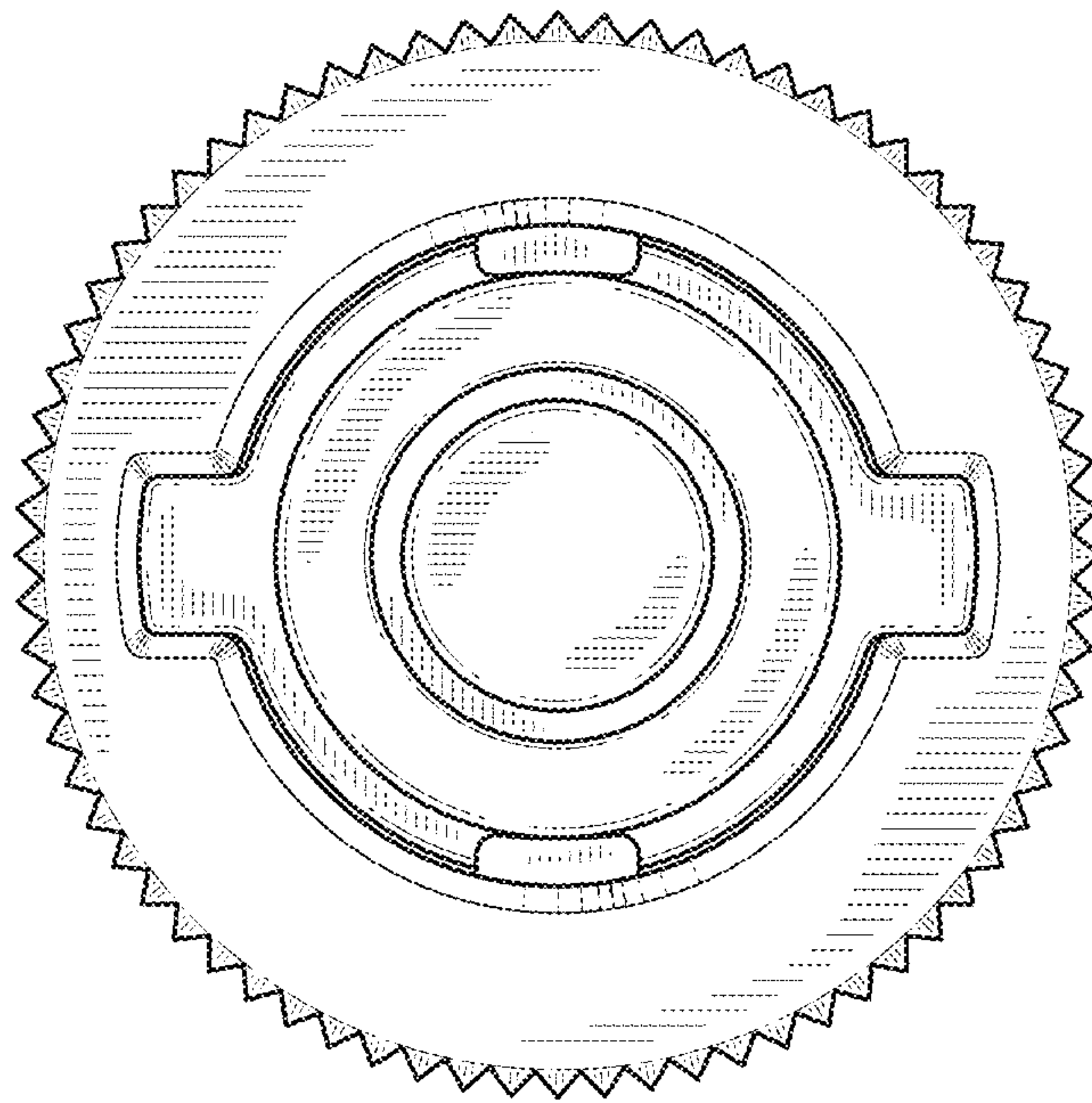


FIG. 6

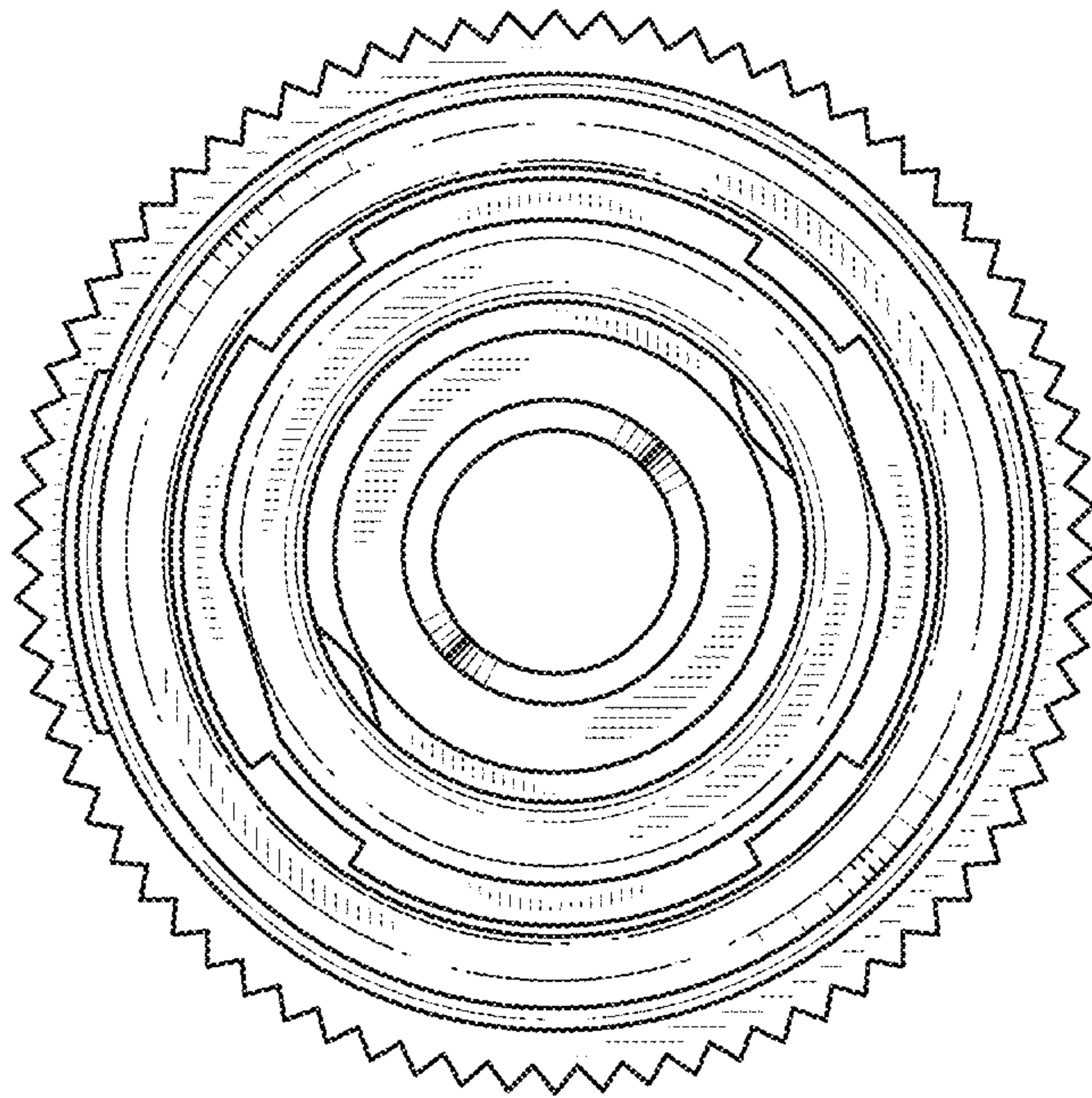


FIG. 7