



US00D690416S

(12) **United States Design Patent**  
**Cappello et al.**

(10) **Patent No.:** **US D690,416 S**

(45) **Date of Patent:** **\*\* Sep. 24, 2013**

- (54) **NEEDLE-FREE SYRINGE**
- (71) Applicant: **PharmaJet Inc.**, Golden, CO (US)
- (72) Inventors: **Chris Cappello**, Broomfield, CO (US);  
**John W. Bingham**, Elizabeth, CO (US)
- (73) Assignee: **PharmaJet, Inc.**, Golden, CO (US)
- (\*\*) Term: **14 Years**
- (21) Appl. No.: **29/439,506**
- (22) Filed: **Dec. 12, 2012**
- (51) **LOC (9) Cl.** ..... **24-02**
- (52) **U.S. Cl.**  
USPC ..... **D24/112**
- (58) **Field of Classification Search**  
USPC ..... D24/112-114, 133, 186, 104, 130,  
D24/127; 606/181, 185; 604/68, 264, 272,  
604/115, 232, 187, 158, 164.08, 192, 263,  
604/163, 181, 184, 198, 227  
See application file for complete search history.

D613,861	S	*	4/2010	Hunter et al.	.....	D24/130
D627,459	S	*	11/2010	Uchida et al.	.....	D24/130
D627,880	S	*	11/2010	Ellis et al.	.....	D24/130
7,931,614	B2		4/2011	Gonnelli et al.		
D673,677	S	*	1/2013	Noda et al.	.....	D24/114
D677,794	S	*	3/2013	Prpa	.....	D24/186
2003/0196928	A1		10/2003	Parsons		
2010/0025503	A1		2/2010	Williamson		
2011/0288521	A1		11/2011	Bingham		
2011/0319860	A1		12/2011	Williamson et al.		

**FOREIGN PATENT DOCUMENTS**

EP 1011763 12/2003

\* cited by examiner

*Primary Examiner* — David Muller

(74) *Attorney, Agent, or Firm* — Swanson & Bratschun, LLC

(57) **CLAIM**

The ornamental design for a needle-free syringe, as shown and described.

**DESCRIPTION**

FIG. 1 is a rear perspective view of the needle-free syringe showing our new design;

FIG. 2 is a front perspective view of the needle-free syringe of FIG. 1;

FIG. 3 is a left side elevation view of the needle-free syringe of FIG. 1; the right side elevation view of the needle-free syringe is a mirror image of FIG. 3;

FIG. 4 is a rear elevation view of the needle-free syringe of FIG. 1;

FIG. 5 is a top plan view of the needle-free syringe of FIG. 1; the bottom plan view of the needle-free syringe is a mirror image of FIG. 5;

FIG. 6 is a front elevation view of the needle-free syringe of FIG. 1; and,

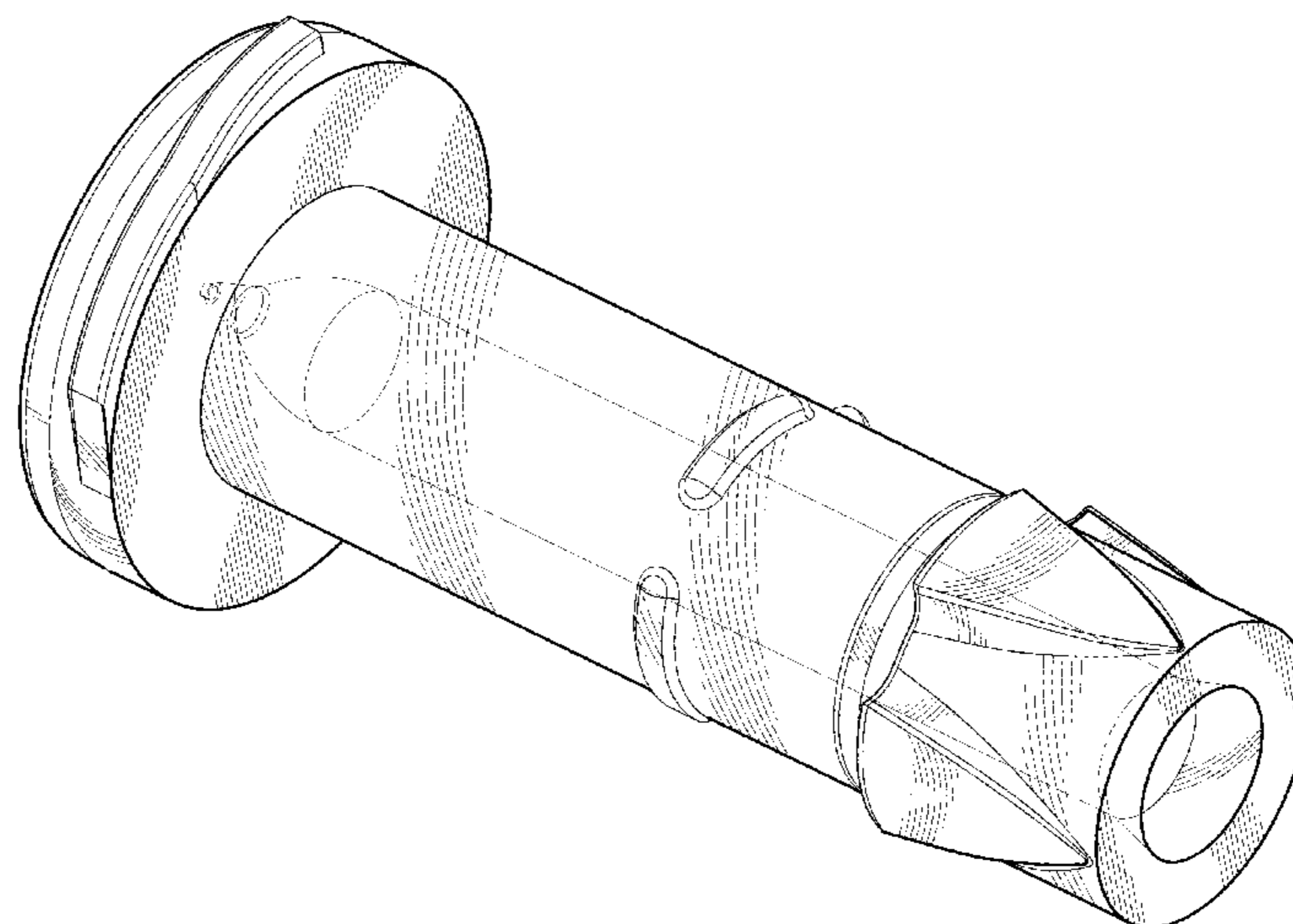
FIG. 7 is a cross sectional plan view of the needle-free syringe of FIG. 1.

**1 Claim, 4 Drawing Sheets**

(56) **References Cited**

**U.S. PATENT DOCUMENTS**

5,024,656	A		6/1991	Gasaway et al.		
D334,233	S	*	3/1993	Schaechter	.....	D24/112
5,312,577	A		5/1994	Peterson et al.		
5,383,851	A		1/1995	McKinnon, Jr. et al.		
D377,830	S	*	2/1997	Lai	.....	D24/114
5,649,912	A		7/1997	Peterson		
D393,722	S	*	4/1998	Fangrow et al.	.....	D24/112
D395,502	S	*	6/1998	Deily et al.	.....	D24/112
5,875,976	A		3/1999	Nelson et al.		
5,938,637	A		8/1999	Austin et al.		
D443,356	S	*	6/2001	Pajunk et al.	.....	D24/112
D447,231	S	*	8/2001	Chen Fu et al.	.....	D24/130
6,716,190	B1		4/2004	Glines et al.		
7,235,063	B2		6/2007	D'Antonio et al.		
7,261,703	B2	*	8/2007	Lampropoulos et al.	.....	604/168.01
D608,885	S	*	1/2010	Sneddon et al.	.....	D24/127



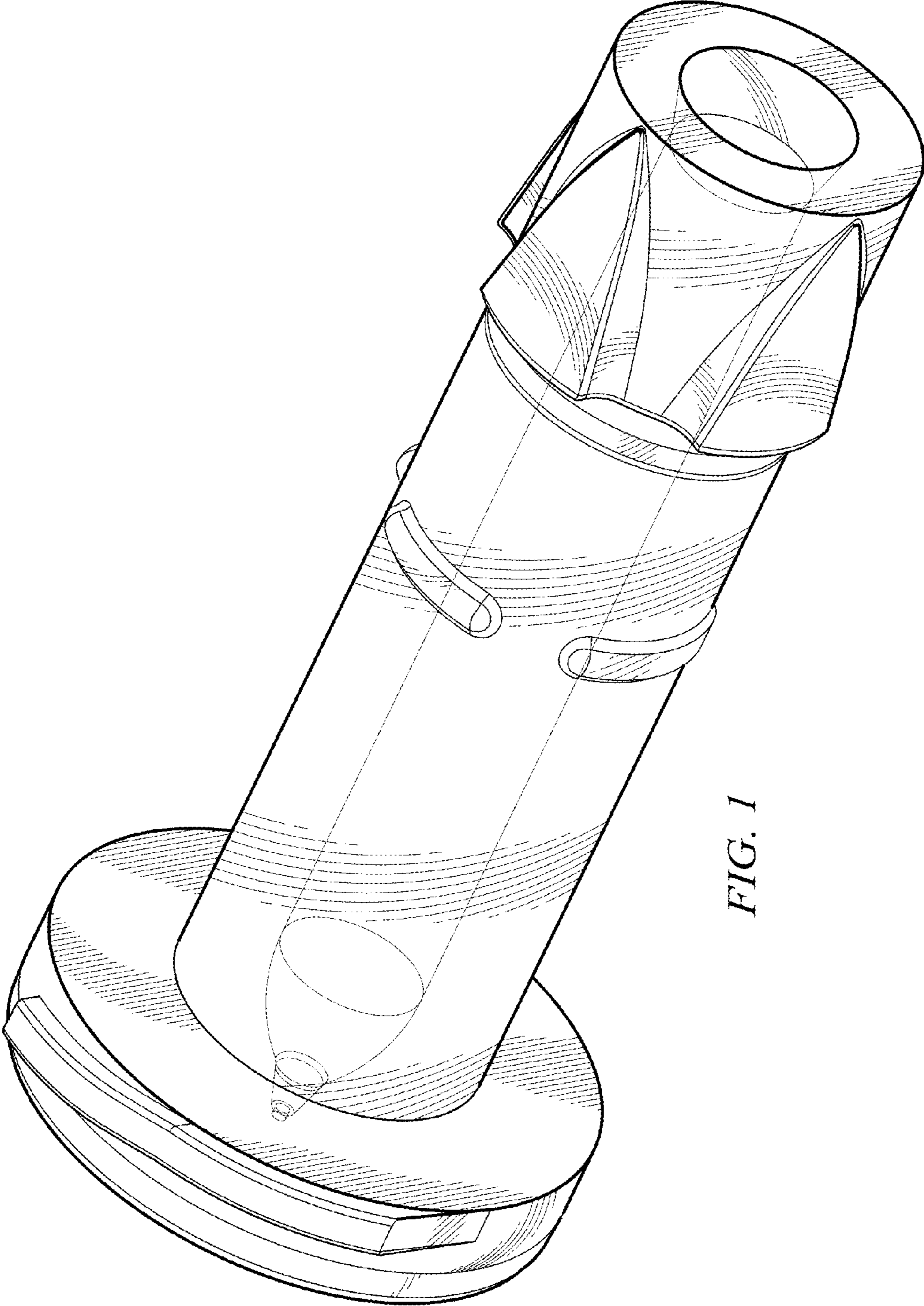


FIG. 1

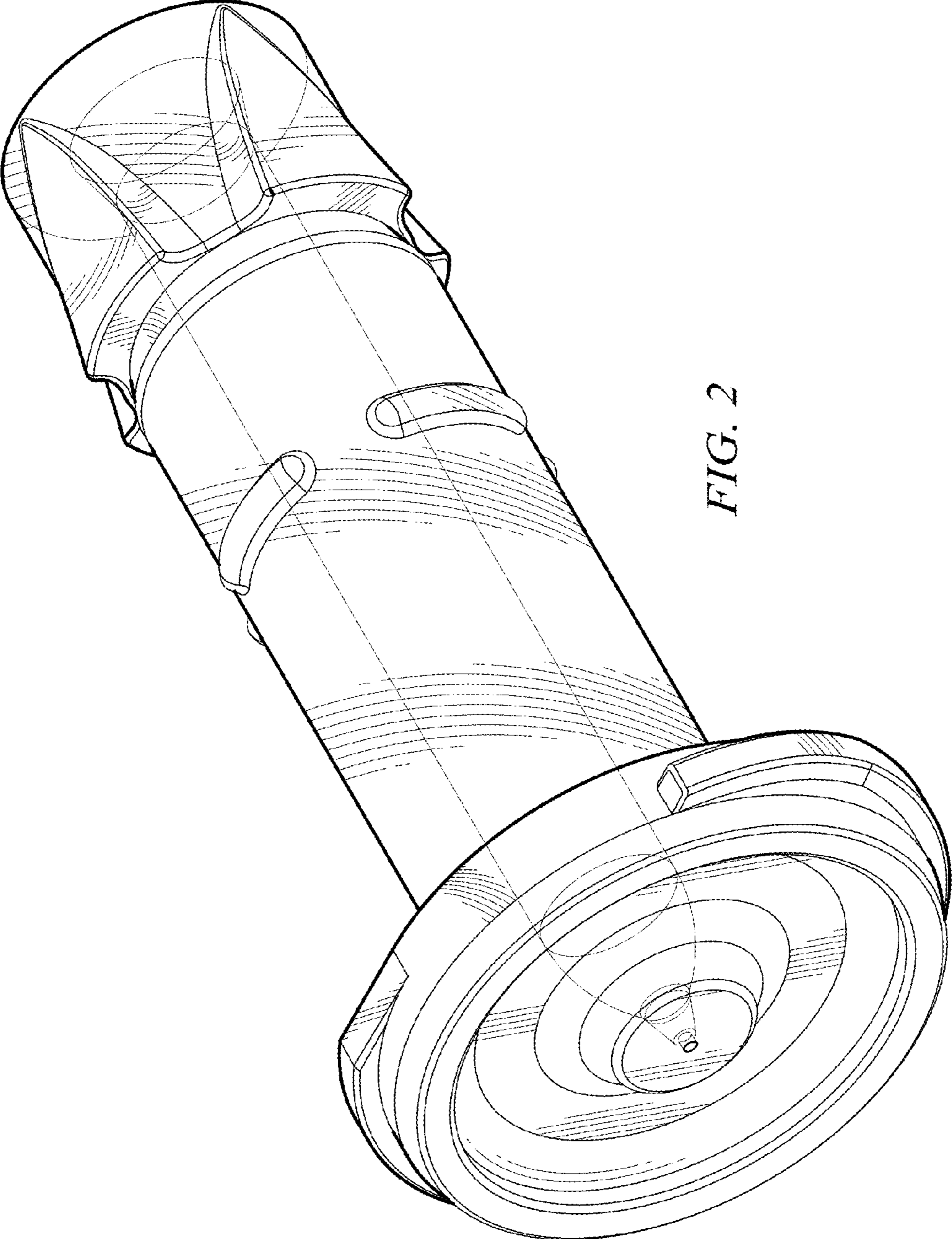


FIG. 2

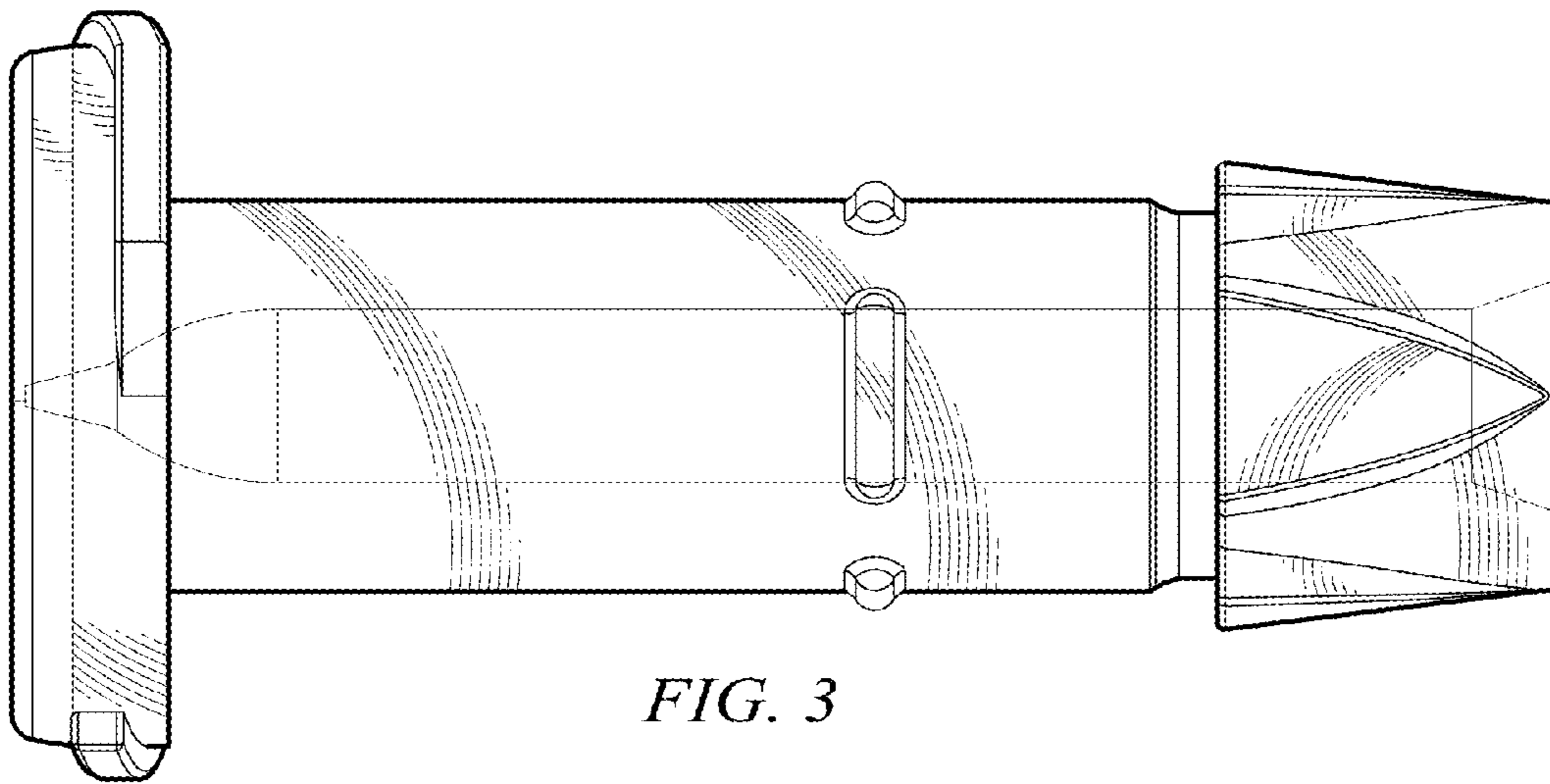


FIG. 3

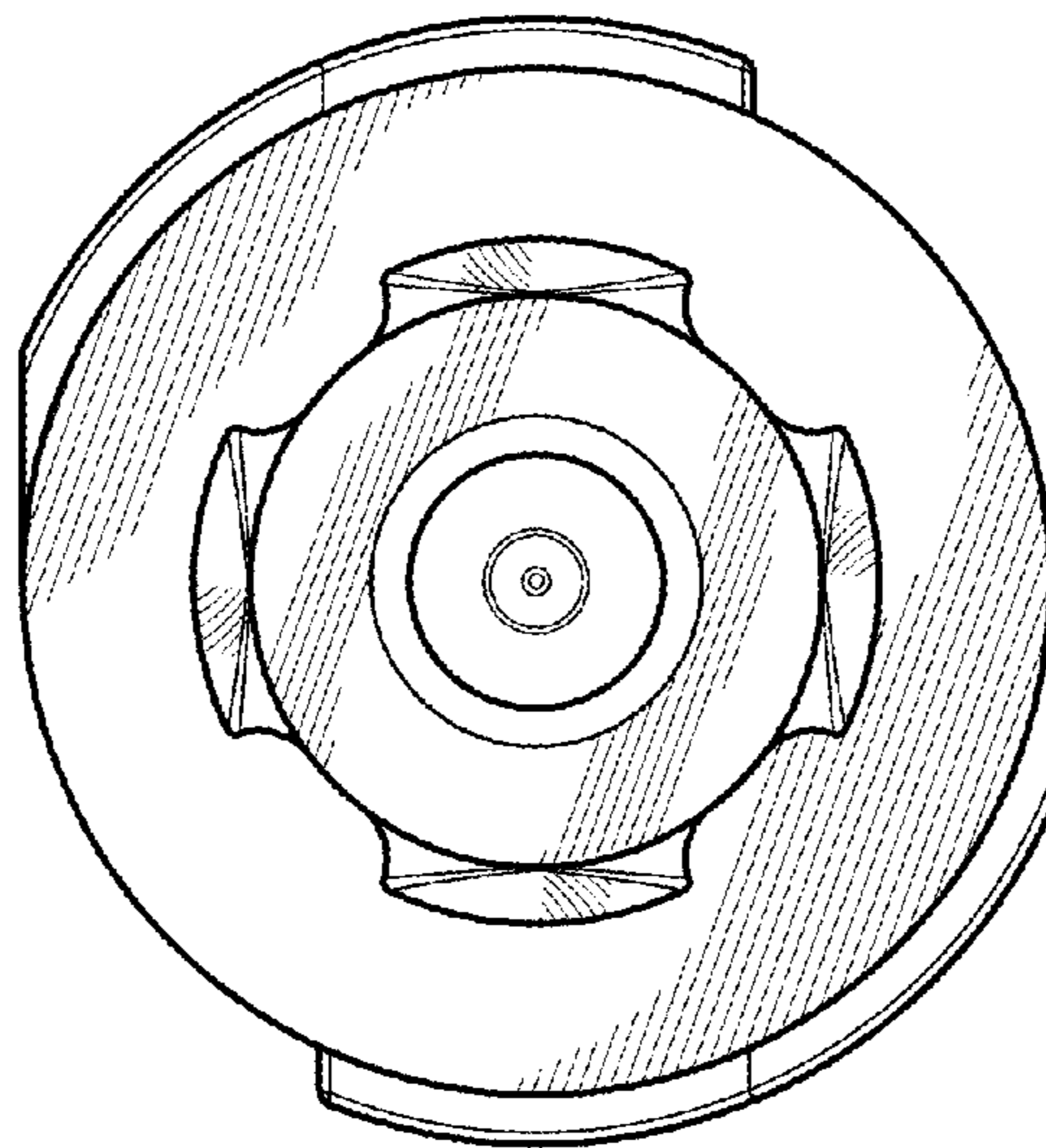


FIG. 4

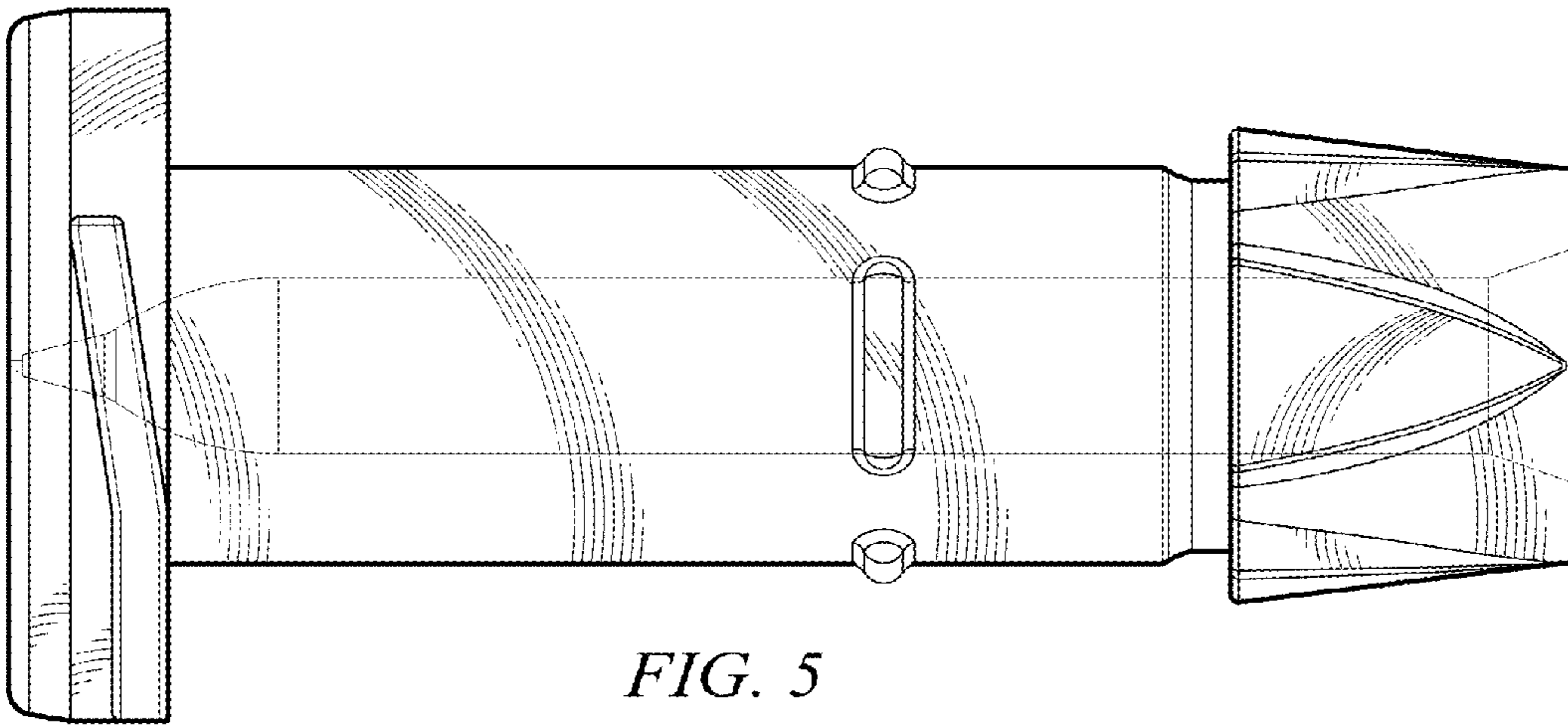


FIG. 5

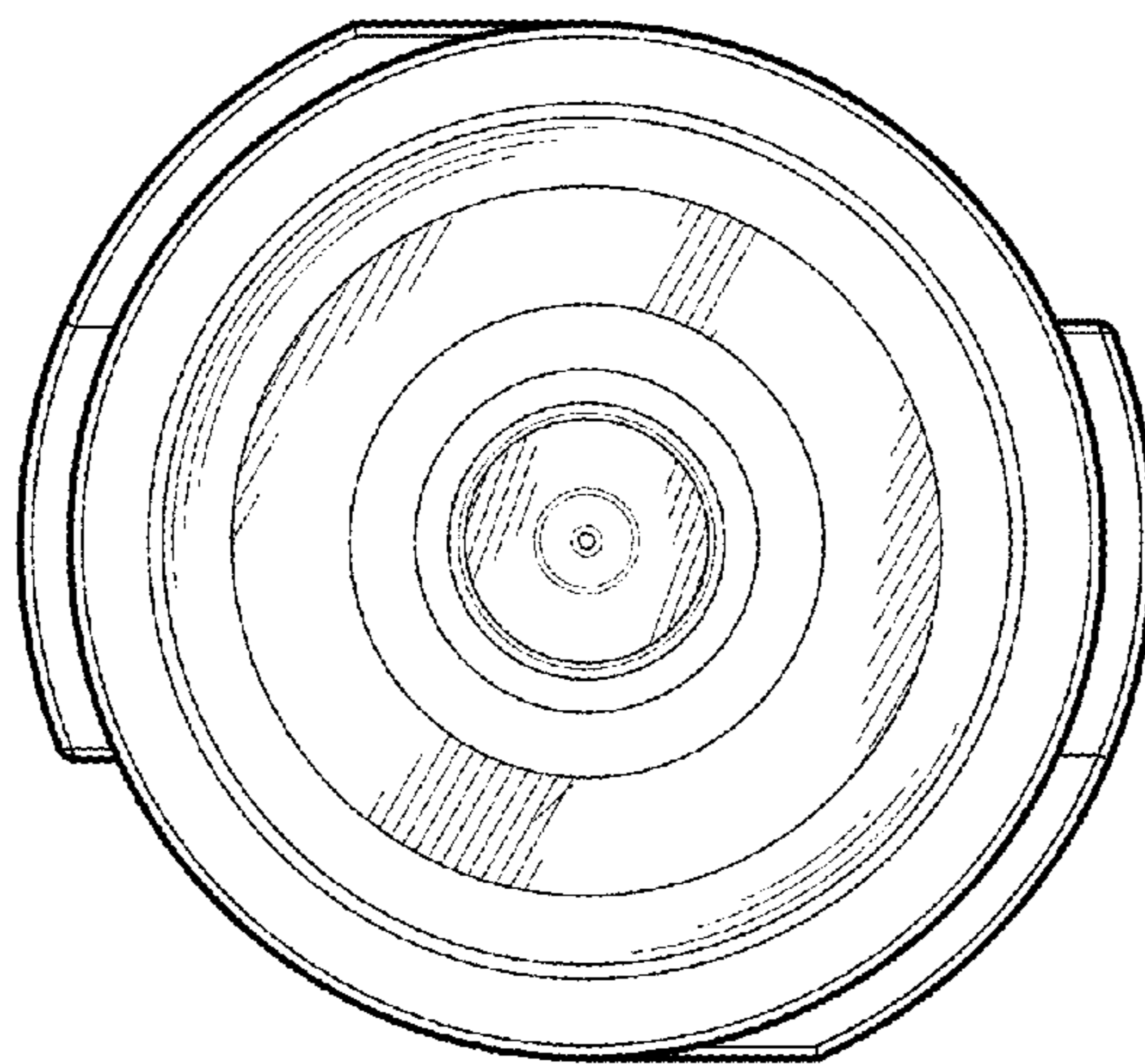


FIG. 6

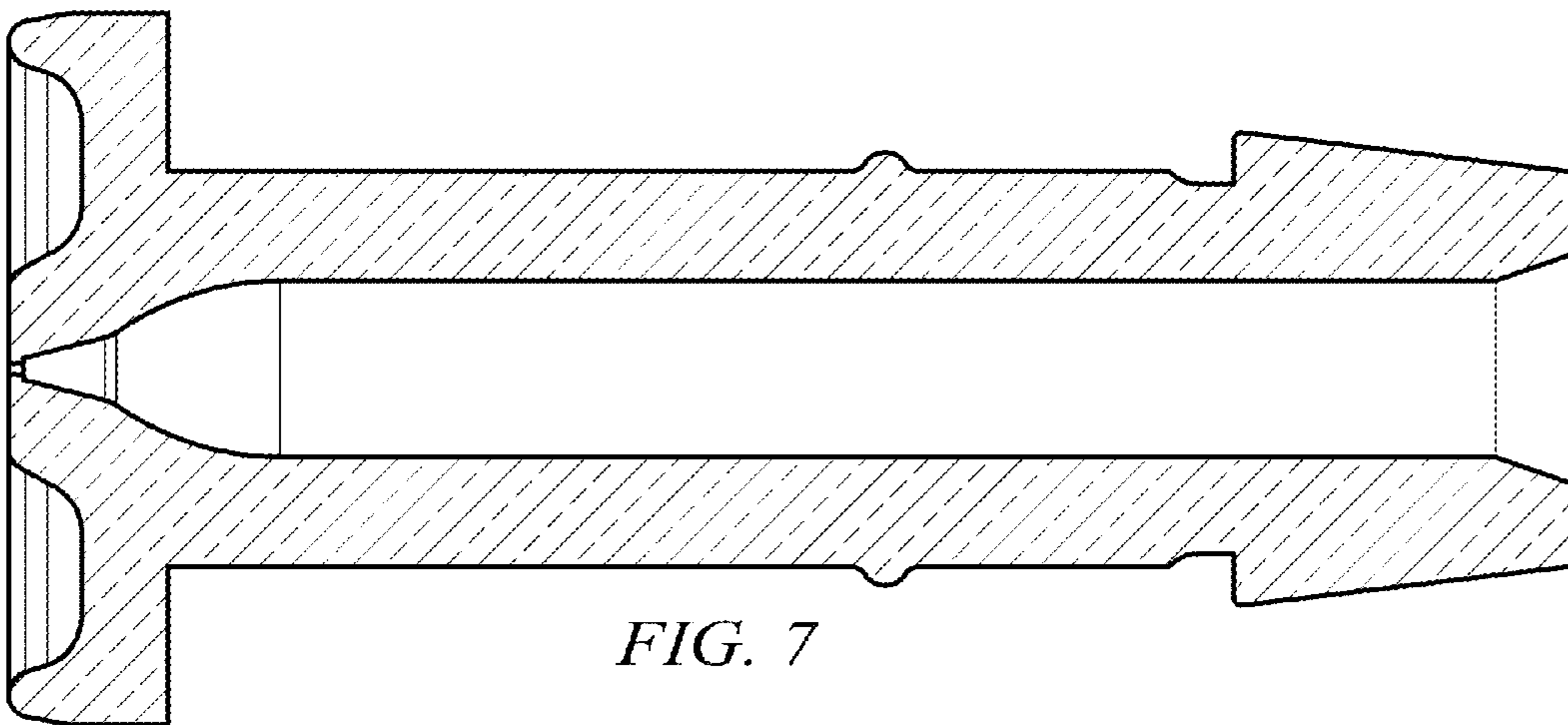


FIG. 7