



US00D690415S

(12) **United States Design Patent**
Mittelstadt et al.

(10) **Patent No.:** **US D690,415 S**
(45) **Date of Patent:** **** Sep. 24, 2013**

(54) **RESPIRATOR SUPPORT STRUCTURE**

(75) Inventors: **William A. Mittelstadt**, Woodbury, MN (US); **Nathan A. Abel**, Minneapolis, MN (US)

(73) Assignee: **3M Innovative Properties Company**, St. Paul, MN (US)

(**) Term: **14 Years**

(21) Appl. No.: **29/426,194**

(22) Filed: **Jul. 2, 2012**

(51) **LOC (9) Cl.** **29-02**

(52) **U.S. Cl.**
USPC **D24/110.1**

(58) **Field of Classification Search**
USPC D24/110.1-110.4; 128/201.22, 201.23, 128/205.25, 206.12, 206.21, 206.24, 206.28, 128/207.11, 207.13, 207.17
See application file for complete search history.

(56) **References Cited**

U.S. PATENT DOCUMENTS

D421,299 S * 2/2000 Brostrom et al. D24/110.1
D421,801 S * 3/2000 Brostrom et al. D24/110.1
D440,301 S 4/2001 Fecteau
6,338,342 B1 1/2002 Fecteau
D471,627 S 3/2003 Mittelstadt
6,536,435 B1 3/2003 Fecteau
D473,937 S 4/2003 Fecteau
D518,571 S 4/2006 Martin
D568,986 S 5/2008 Holmquist-Brown

D569,969 S * 5/2008 Lin D24/110.1
D570,474 S * 6/2008 Lin D24/110.1
D582,546 S 12/2008 Fujiura
D629,885 S * 12/2010 Skulley et al. D24/110
2002/0078953 A1 6/2002 Fecteau

FOREIGN PATENT DOCUMENTS

GB 2073735 A 10/1981

* cited by examiner

Primary Examiner — Ian Simmons

Assistant Examiner — Richelle Shelton

(74) *Attorney, Agent, or Firm* — Karl G. Hanson

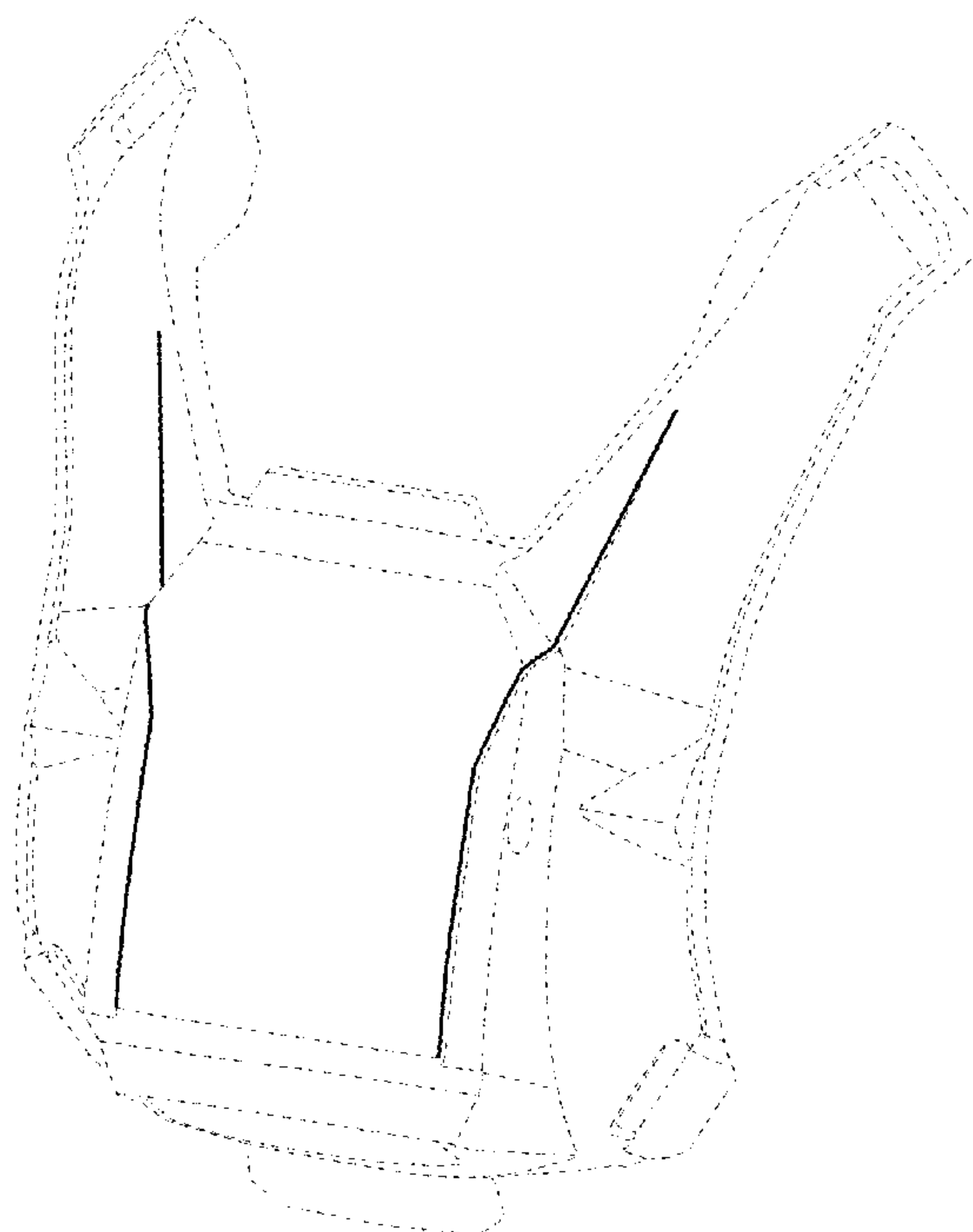
(57) **CLAIM**

The ornamental design for a respirator support structure, as shown and described.

DESCRIPTION

FIG. 1 is a perspective view, showing the new design for a respirator support structure;
FIG. 2 is a right side view thereof, the left side being a mirror image of the right side view;
FIG. 3 is a front view thereof;
FIG. 4 is a top view thereof;
FIG. 5 is an rear view thereof;
FIG. 6 is a bottom view thereof; and,
FIG. 7 is a perspective view thereof, showing the respirator support structure attached to a respirator mask body.
The broken line showing is included for the purpose of illustrating environmental structure and forms no part of the claimed design.

1 Claim, 4 Drawing Sheets



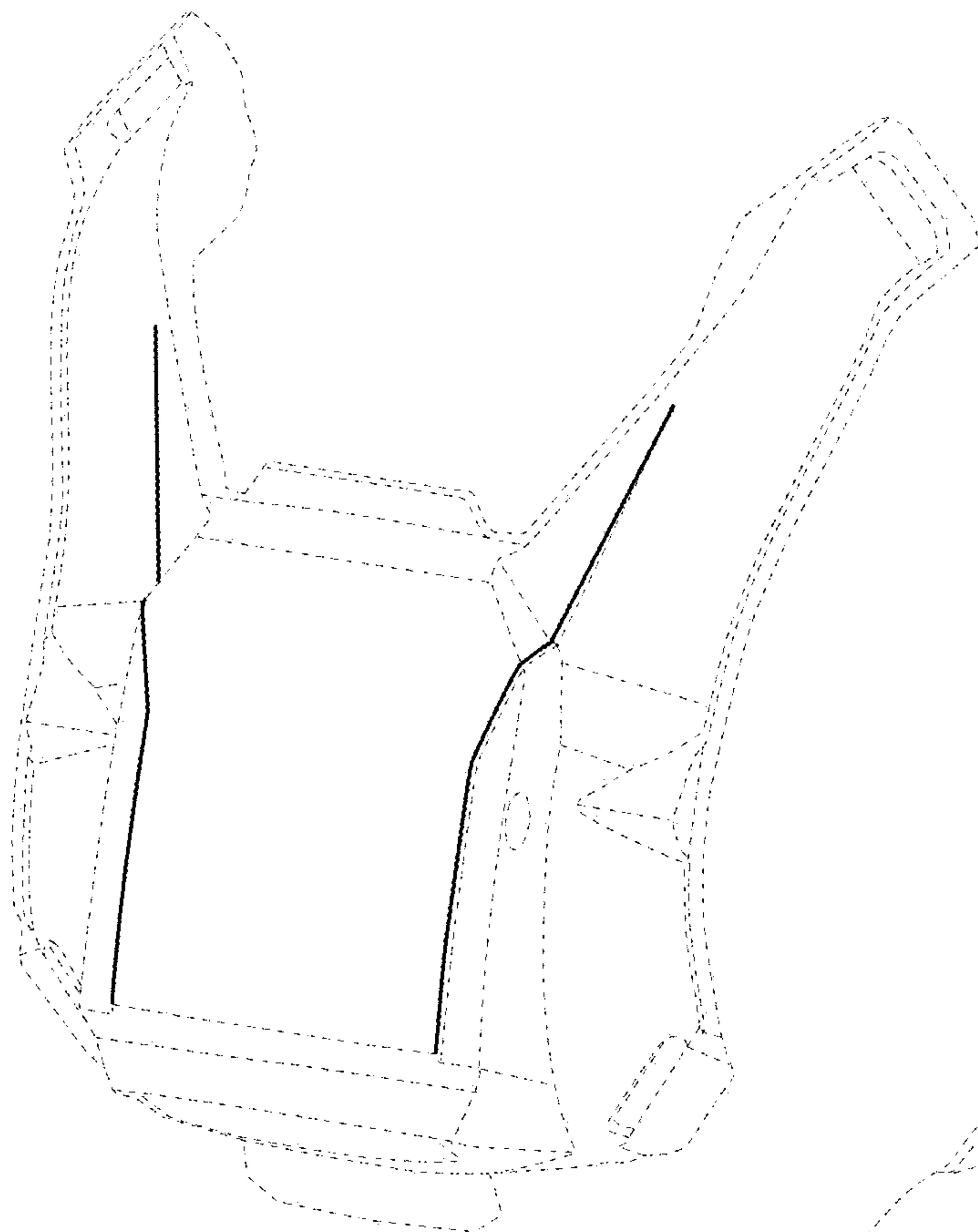


FIG. 1

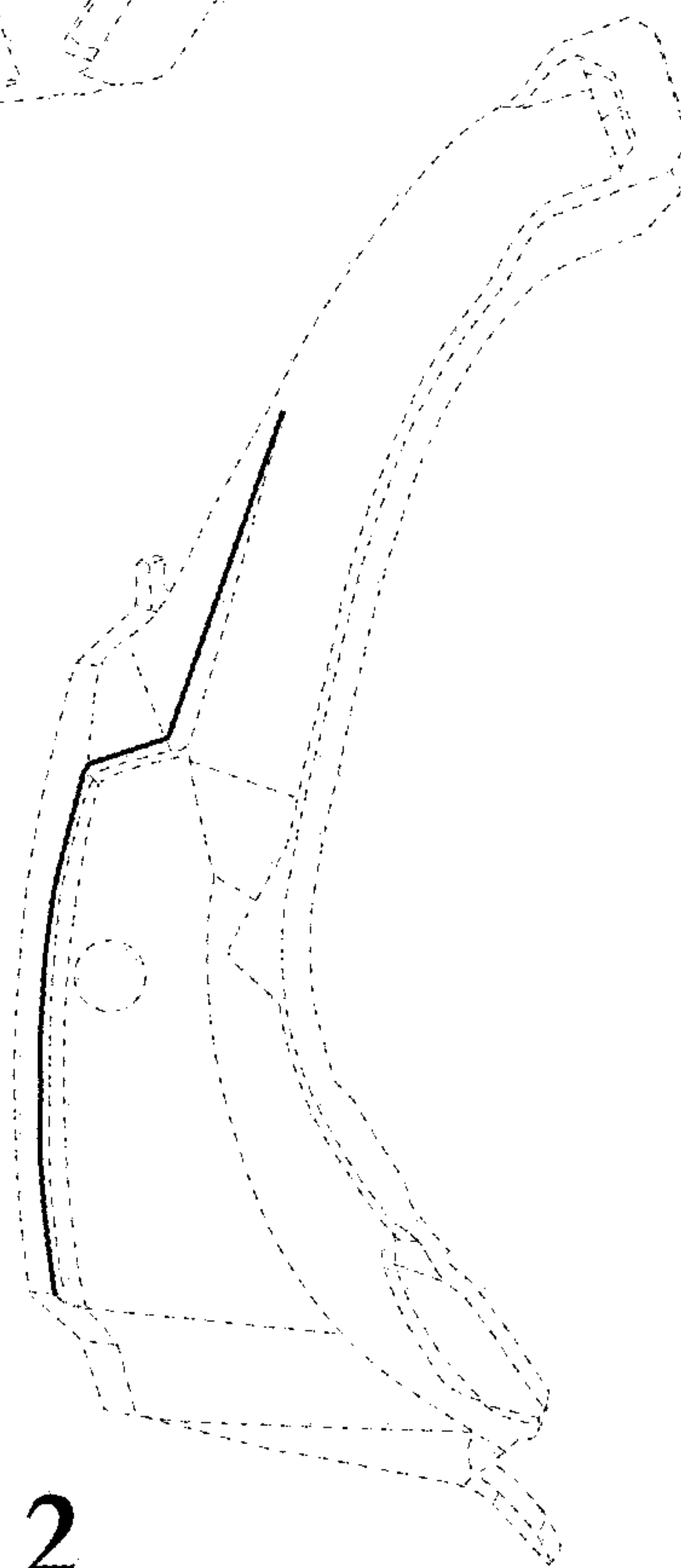


FIG. 2

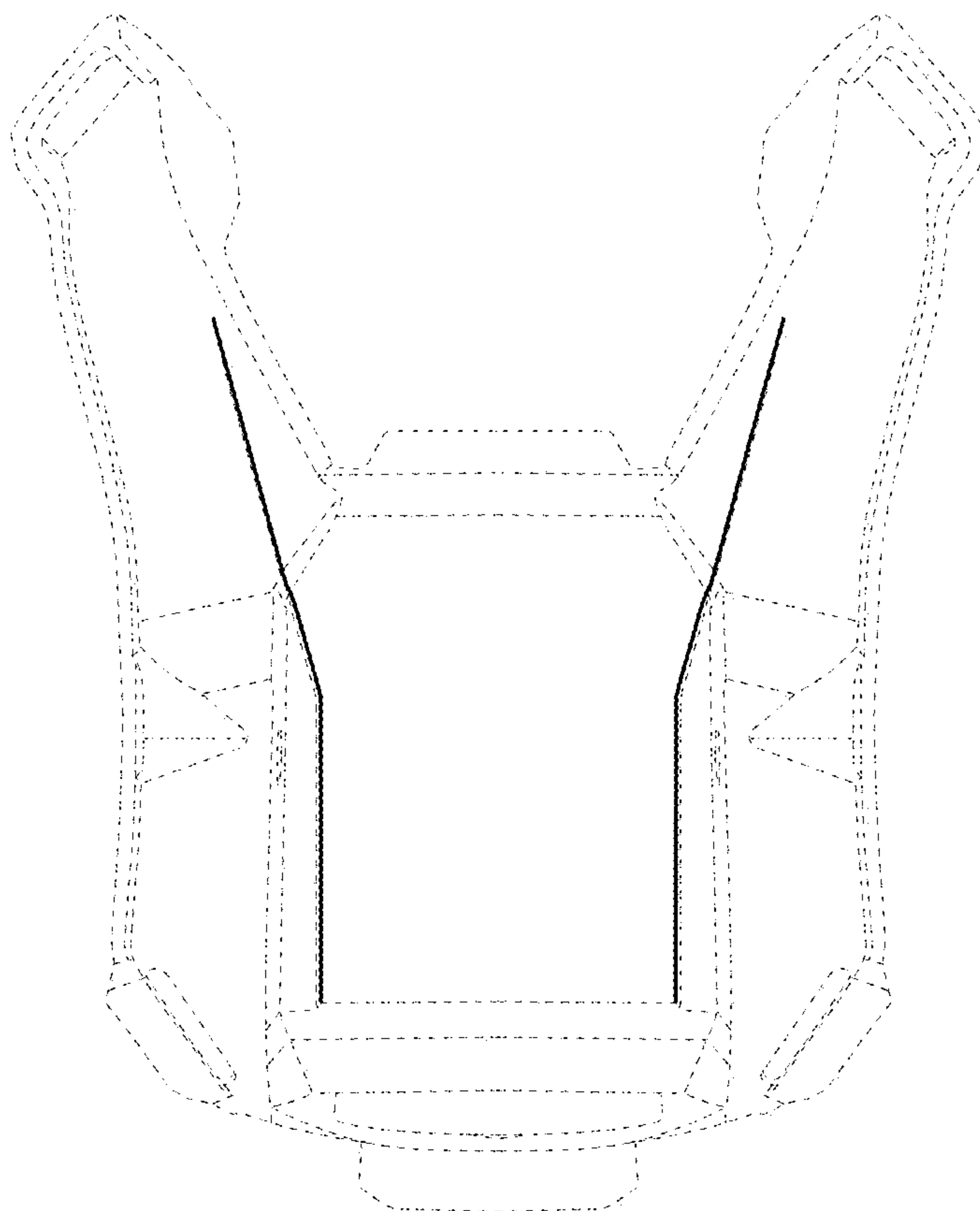


FIG. 3

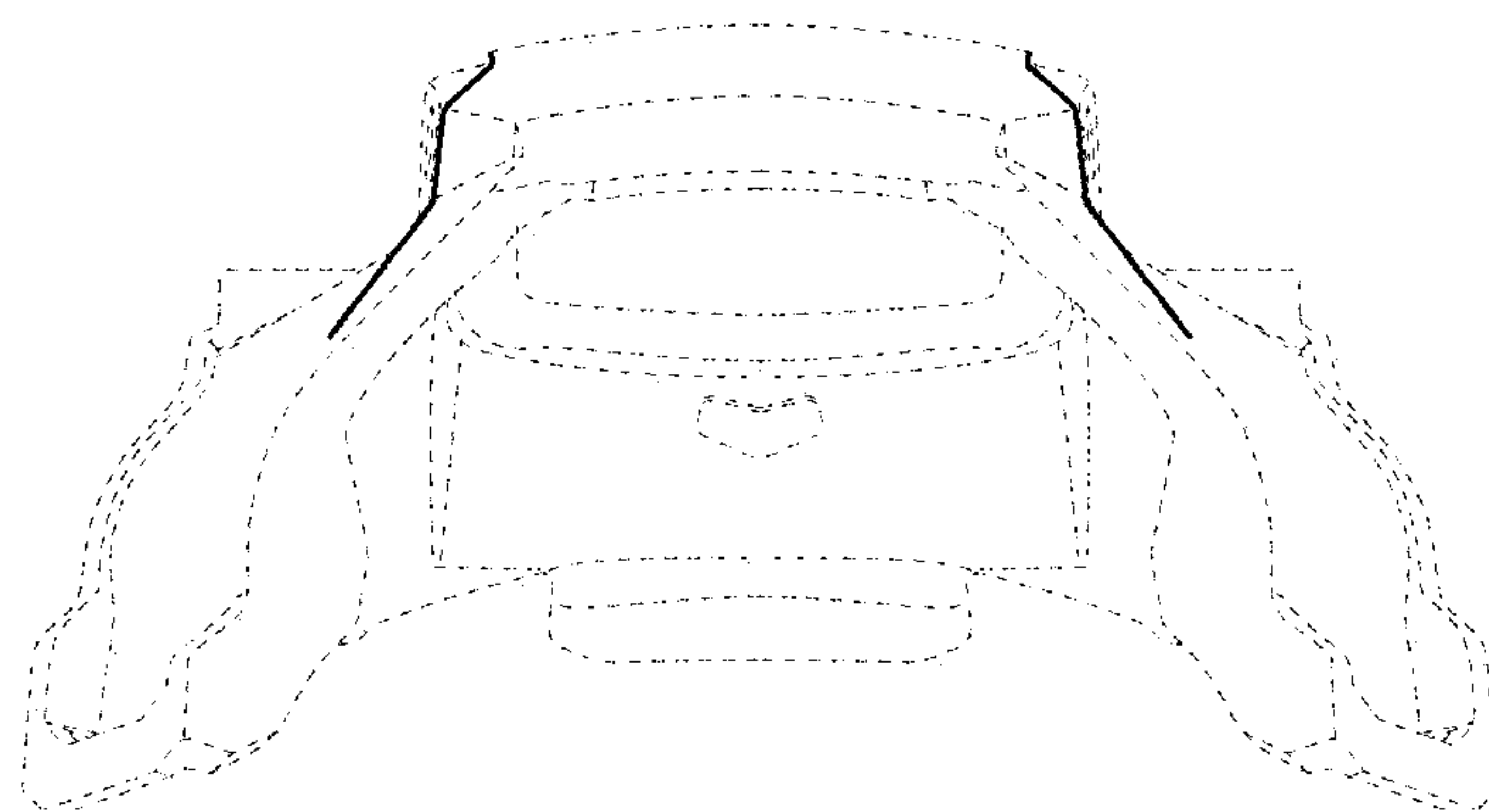


FIG. 4

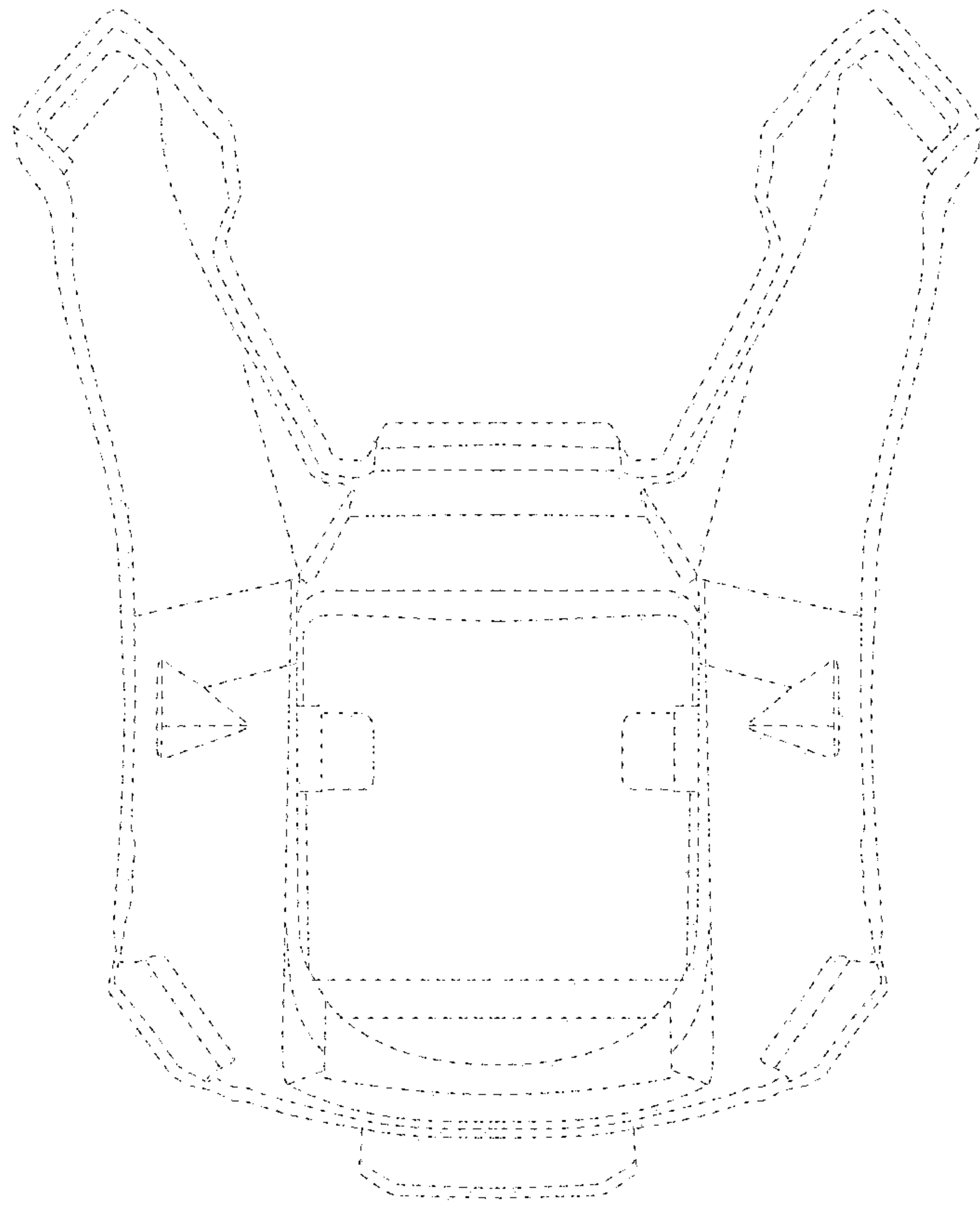


FIG. 5

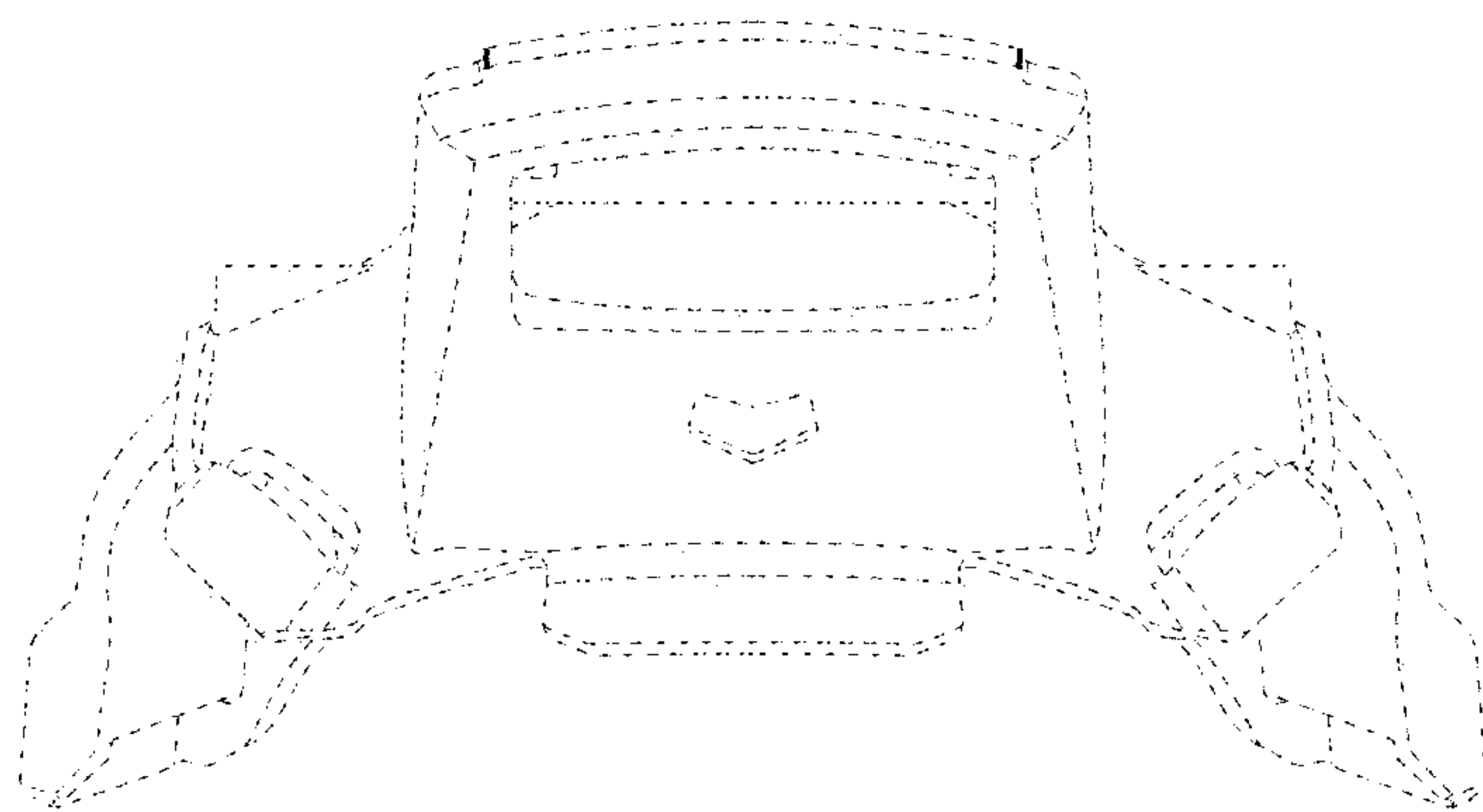


FIG. 6

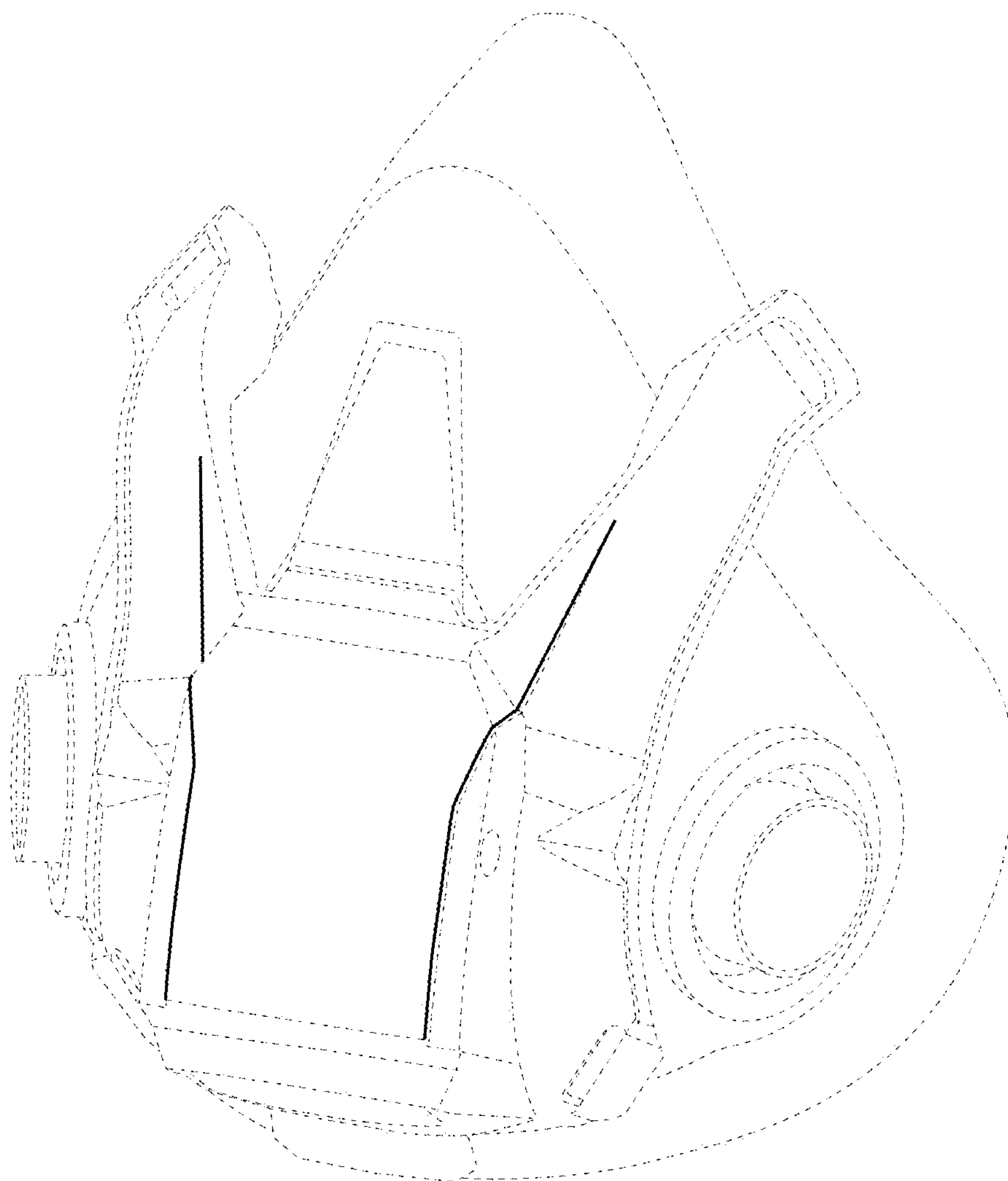


FIG. 7