



US00D690412S

(12) **United States Design Patent**
Spink

(10) **Patent No.:** **US D690,412 S**

(45) **Date of Patent:** **** Sep. 24, 2013**

(54) **NEBULIZER MOUTHPIECE STAND**

(76) Inventor: **DeAnn Spink**, Longwood, NC (US)

(**) Term: **14 Years**

(21) Appl. No.: **29/400,068**

(22) Filed: **Aug. 23, 2011**

(51) **LOC (9) Cl.** **29-02**

(52) **U.S. Cl.**
USPC **D24/110**

(58) **Field of Classification Search**
USPC D24/127, 128, 110, 110.5; 128/202.13;
222/186; 248/146, 176.1, 523
See application file for complete search history.

6,237,880 B1 * 5/2001 McNutly 248/146
6,612,713 B1 * 9/2003 Kuelbs 362/102
6,620,271 B2 * 9/2003 Mayle et al. 156/73.5
2008/0066747 A1 * 3/2008 Spink 128/202.13

* cited by examiner

Primary Examiner — Ian Simmons

Assistant Examiner — Richelle Shelton

(74) *Attorney, Agent, or Firm* — P. Jeff Martin; The Law Firm of P. Jerry Martin, LLC

(57) **CLAIM**

The ornamental design for a nebulizer mouthpiece stand, as shown and described.

DESCRIPTION

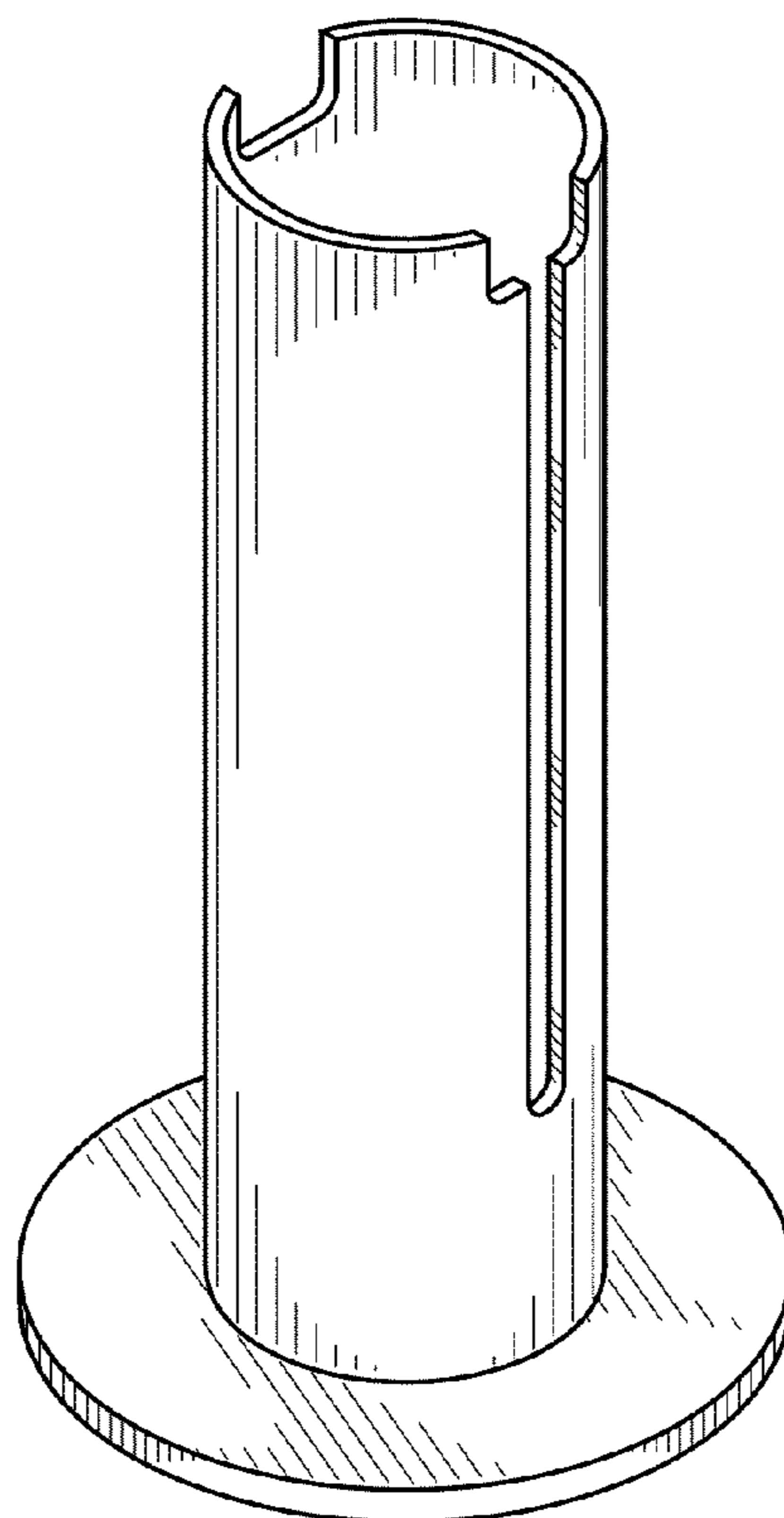
FIG. 1 is a front, left perspective view of a nebulizer mouthpiece stand showing my new design; FIG. 2 is a right side view thereof; FIG. 3 is a left side view thereof; FIG. 4 is a front view thereof; FIG. 5 is a rear view thereof; FIG. 6 is a top end view thereof; and, FIG. 7 is a bottom end view thereof. The broken lines shown in FIG. 6 and particularly the surface encompassed by said broken lines, form no part of the claimed design.

(56) **References Cited**

U.S. PATENT DOCUMENTS

774,497	A *	11/1904	Rompel	248/523
1,463,217	A *	7/1923	Kristofek	248/158
1,464,239	A *	8/1923	Boynton	414/411
1,672,852	A *	6/1928	Roughan	52/677
3,134,507	A *	5/1964	McLaughlin	222/100
3,310,267	A *	3/1967	Koehler	248/176.1
3,472,455	A	10/1969	Johnson et al.		
3,693,310	A *	9/1972	Middleton	52/685
5,209,694	A *	5/1993	Utt, Jr.	446/73
5,277,175	A	1/1994	Riggs et al.		
5,482,245	A *	1/1996	Graves	248/523
5,803,426	A *	9/1998	Hart	248/523
5,845,890	A	12/1998	Earsley et al.		

1 Claim, 2 Drawing Sheets



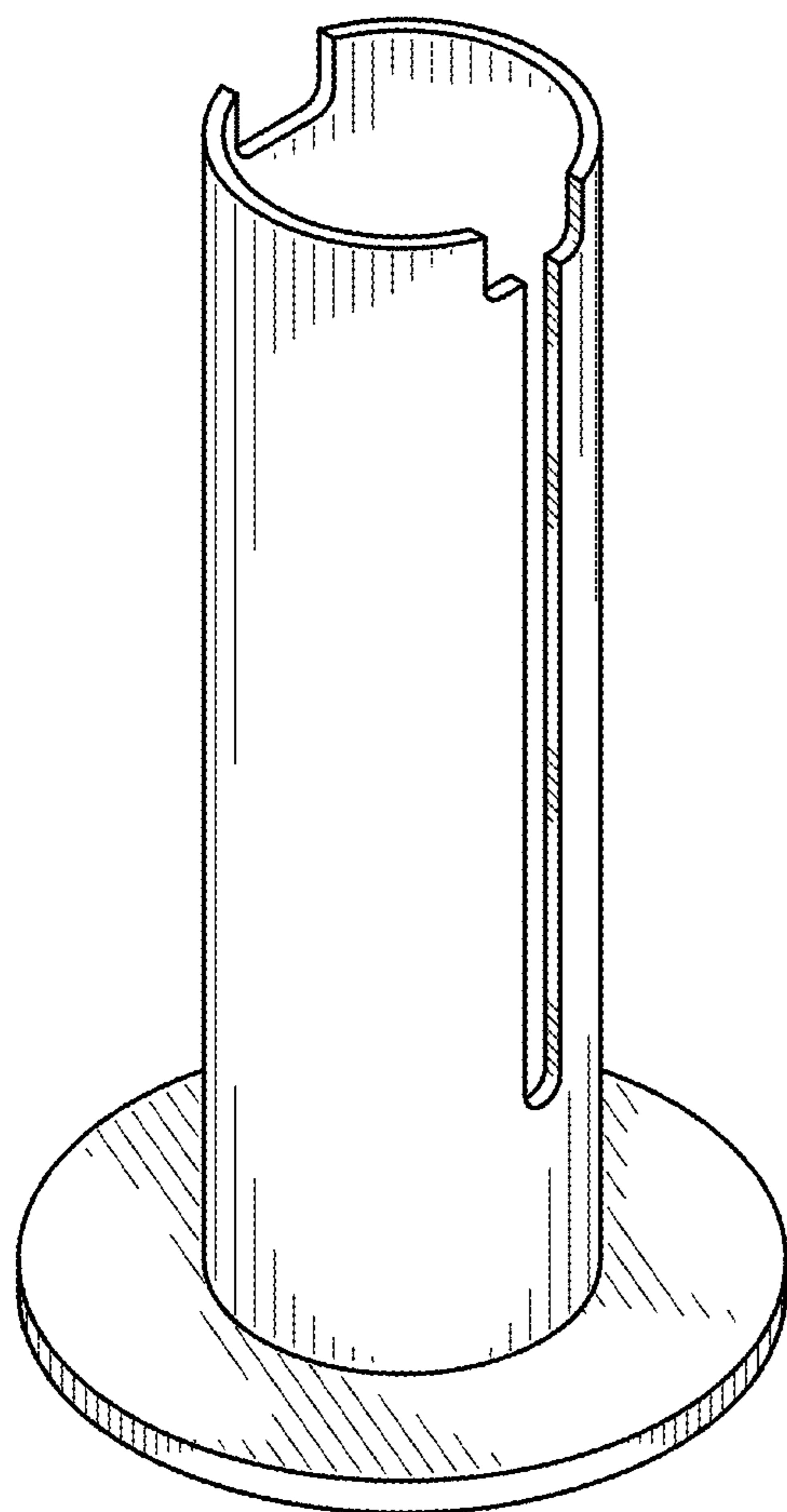


Fig. 1

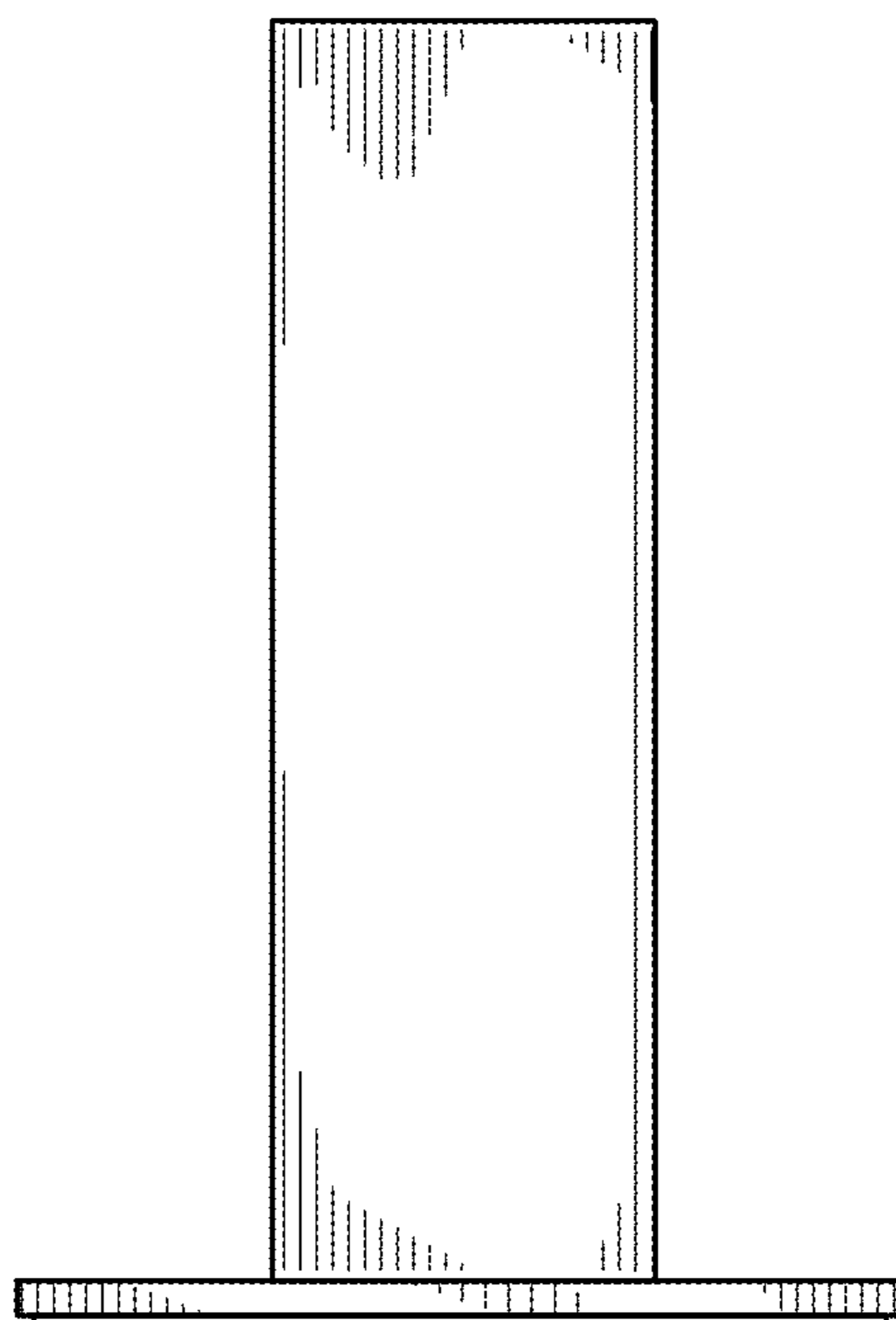


Fig. 2

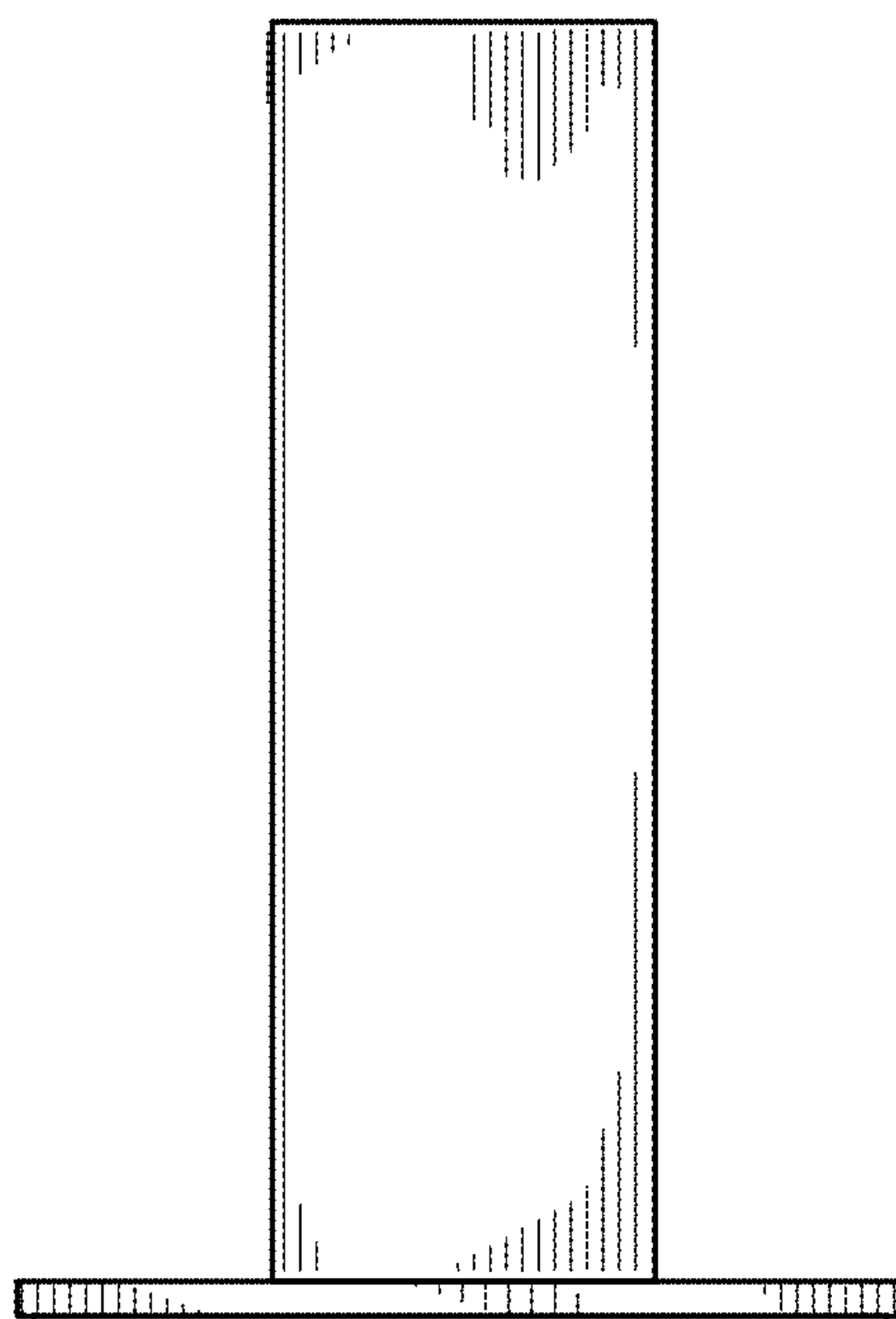


Fig. 3

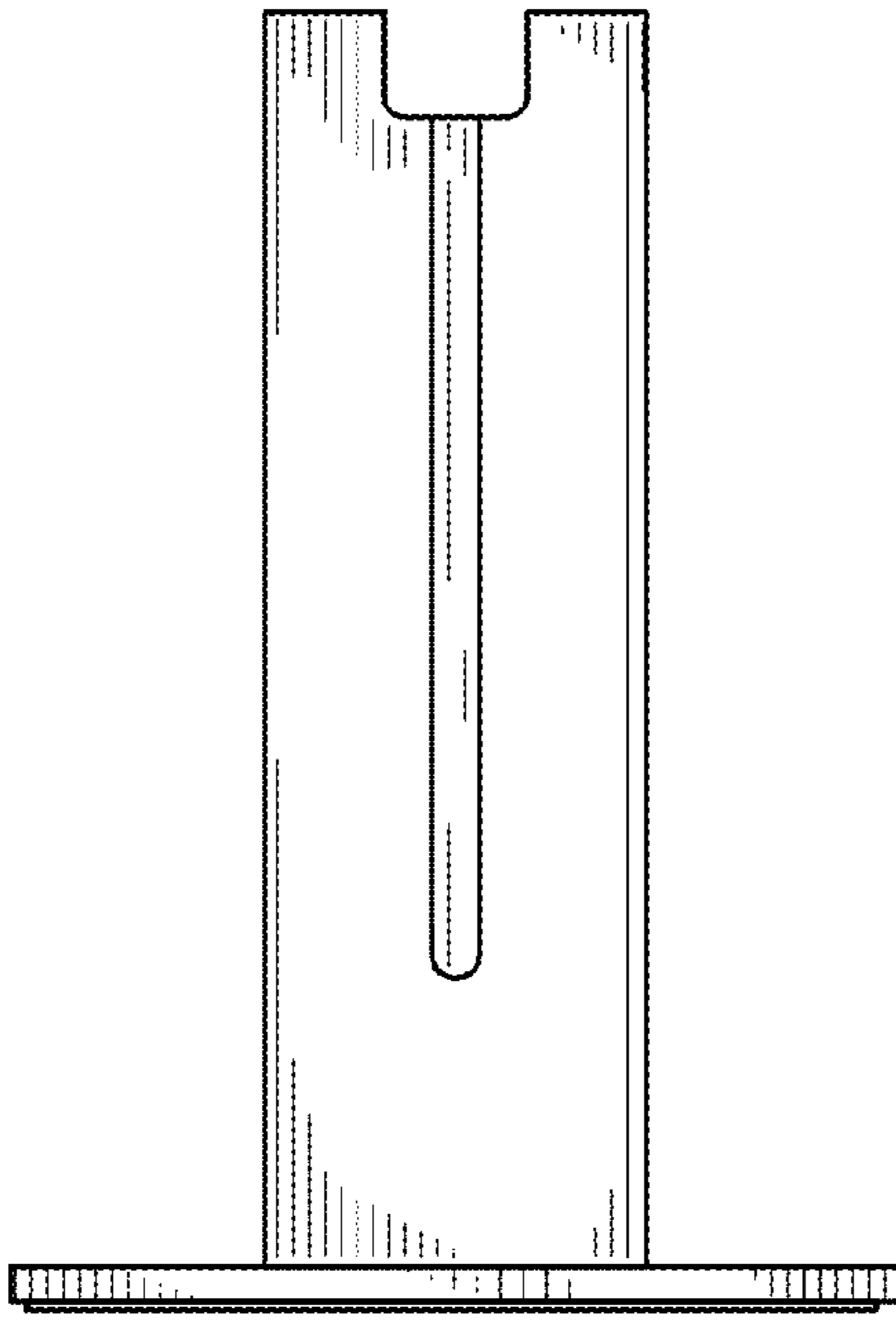


Fig. 4

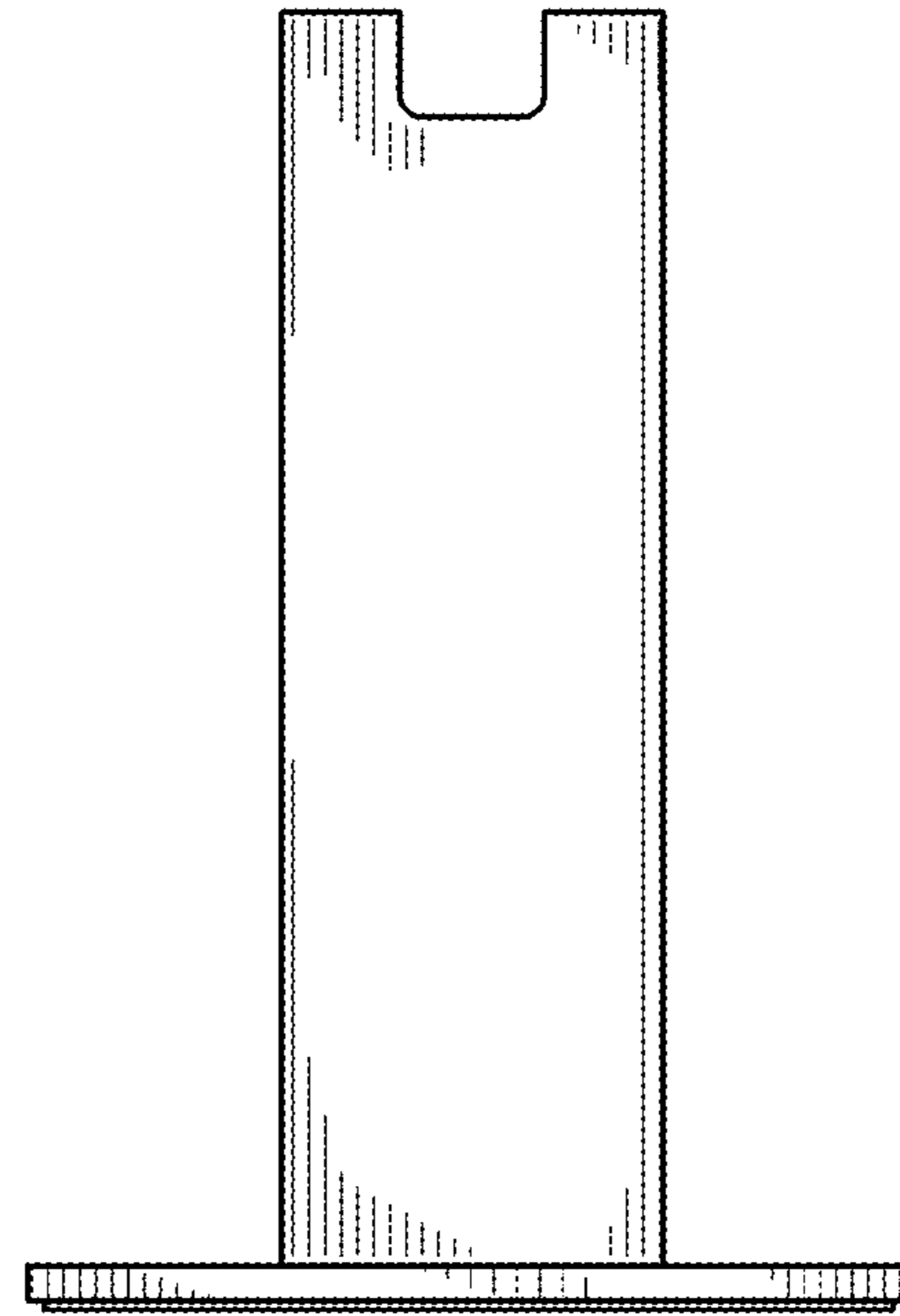


Fig. 5

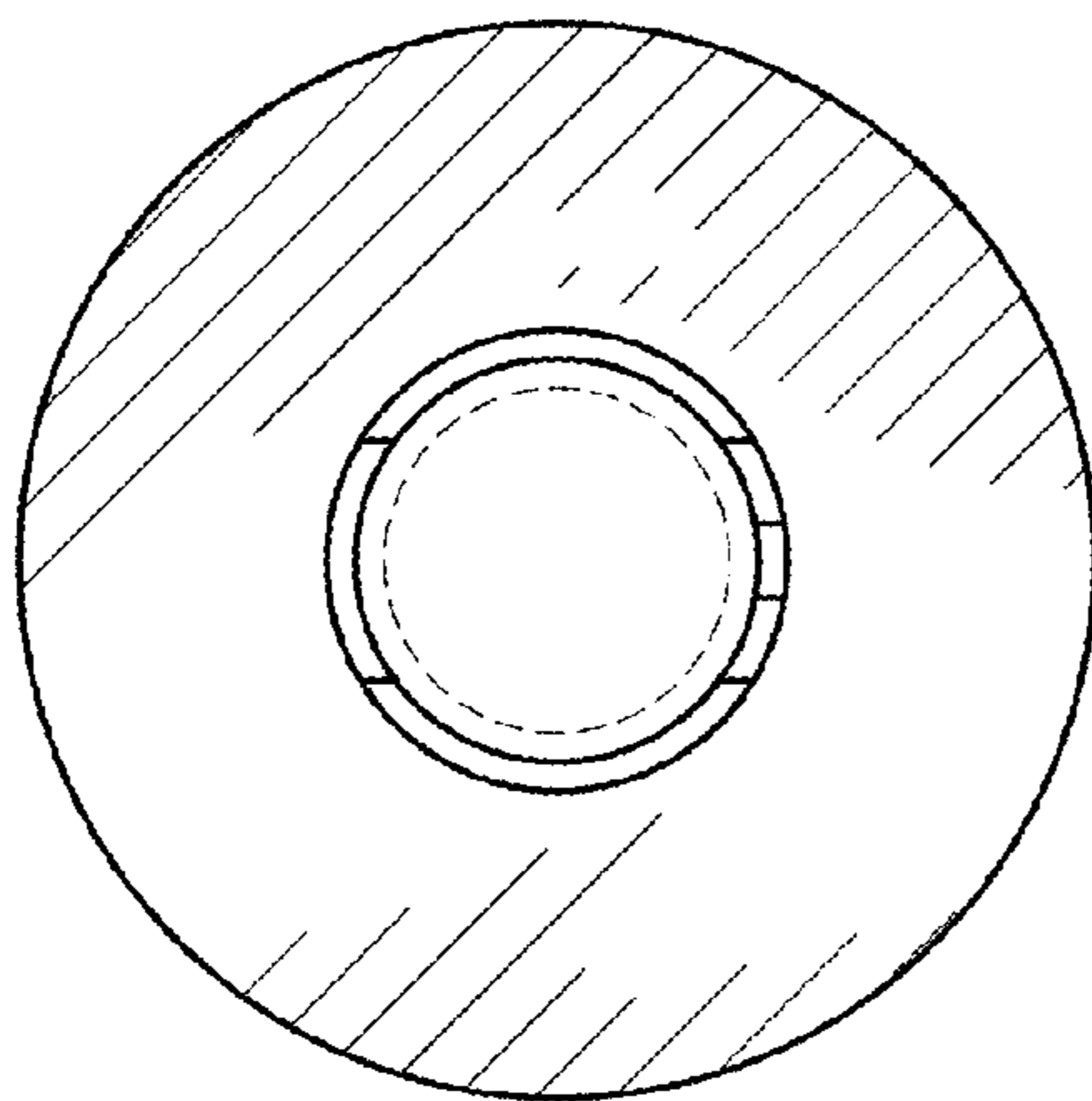


Fig. 6

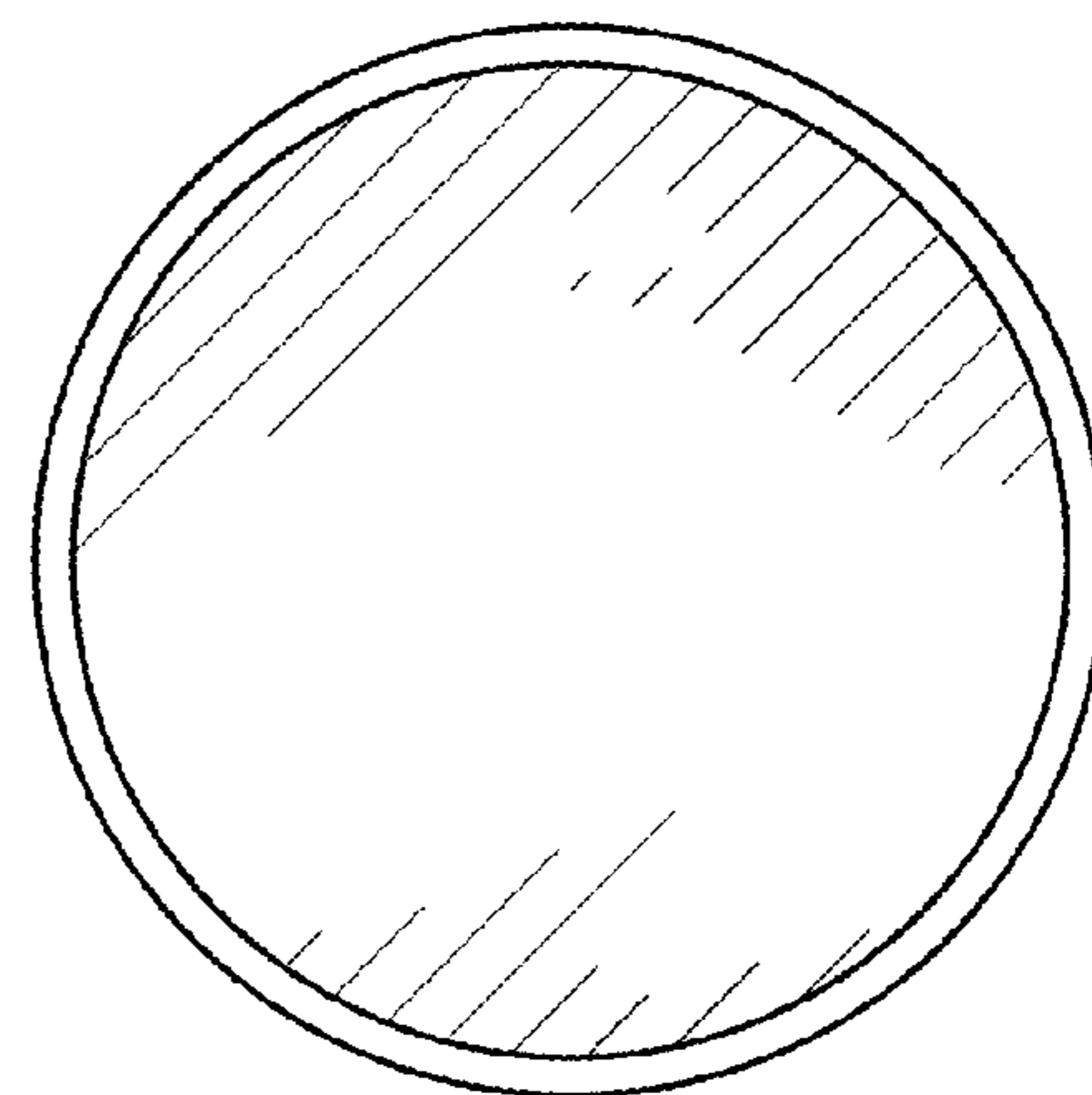


Fig. 7