

US00D690410S

(12) **United States Design Patent**
Passauer, III

(10) **Patent No.:** **US D690,410 S**
(45) **Date of Patent:** **** Sep. 24, 2013**

(54) **CEILING FAN HOUSING**

(75) Inventor: **Willard F. Passauer, III**, Fort
Lauderdale, FL (US)

(73) Assignee: **Chien Luen Industries Co., Ltd., Inc.**,
Oakland Park, FL (US)

(**) Term: **14 Years**

(21) Appl. No.: **29/406,828**

(22) Filed: **Nov. 18, 2011**

6,644,927 B2	11/2003	Bucher	
D484,233 S	12/2003	Bucher	
D484,587 S	12/2003	Bucher	
D485,345 S	1/2004	Bucher	
D485,346 S	1/2004	Bucher	
D485,347 S	1/2004	Bucher	
D492,764 S	7/2004	Campbell	
D501,250 S	1/2005	Thomas	
D510,992 S	10/2005	Bucher	
D526,715 S	8/2006	Glasbrenner	
D531,297 S *	10/2006	Ertze	D23/377
D539,894 S	4/2007	Bucher	
D541,406 S *	4/2007	Pickett	D23/411
D541,466 S	4/2007	Bucher	
D548,321 S	8/2007	Orozco	

(Continued)

Related U.S. Application Data

(62) Division of application No. 29/342,571, filed on Aug.
27, 2009, now Pat. No. Des. 649,238.

(51) **LOC (9) Cl.** **23-04**

(52) **U.S. Cl.**
USPC **D23/411**

(58) **Field of Classification Search**
USPC D23/355, 370, 377, 385, 386, 411;
416/5, 93 R, 170 R, 210 R, 223 R, 243
See application file for complete search history.

(56) **References Cited**

U.S. PATENT DOCUMENTS

4,626,970 A *	12/1986	Huang	362/147
D346,211 S	4/1994	Bucher et al.	
D347,056 S	5/1994	Bucher	
D360,942 S	8/1995	Bucher	
D376,641 S	12/1996	Bucher	
D396,281 S *	7/1998	Gee et al.	D23/411
D396,532 S *	7/1998	Tsuji	D23/411
D397,419 S *	8/1998	Tsuji et al.	D23/411
D402,750 S *	12/1998	Gee et al.	D23/411
D422,352 S *	4/2000	Gee, II	D23/411
D430,283 S	8/2000	Wu	
D435,094 S	12/2000	Bucher	
6,394,756 B1	5/2002	Bucher	

Primary Examiner — Caron D Veynar

Assistant Examiner — Martie K Holtje

(74) *Attorney, Agent, or Firm* — Brian S. Steinberger; Law
Offices of Brian S. Steinberger, P.A.

(57) **CLAIM**

The ornamental design for a ceiling fan housing, as shown
and described.

DESCRIPTION

FIG. 1 is a bottom perspective view of the ceiling fan housing
showing my new design;

FIG. 2 is a top perspective view thereof;

FIG. 3 is a bottom plan view thereof;

FIG. 4 is a top plan view thereof;

FIG. 5 is a front elevational view thereof;

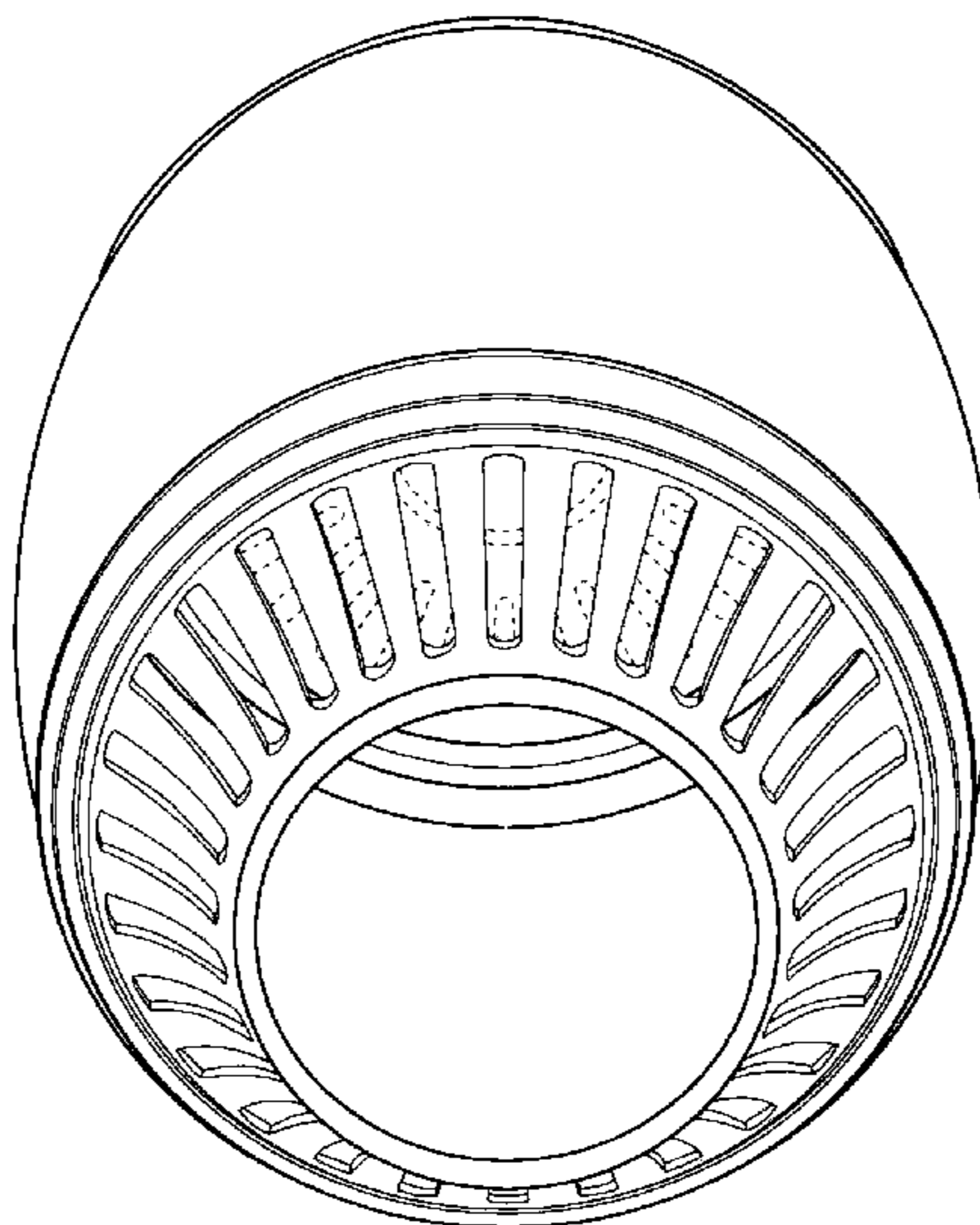
FIG. 6 is a rear elevational view thereof;

FIG. 7 is a right side elevational view thereof; and,

FIG. 8 is a left side elevational view thereof.

The broken line depictions of vents, fastener holes, and other
structure in FIGS. 2 and 8 have been included for the purpose
of illustrating portions of the ceiling fan housing and form no
part of the claimed design.

1 Claim, 8 Drawing Sheets



(56)

References Cited

U.S. PATENT DOCUMENTS

D550,830 S	9/2007	Guthrie	D565,173 S	3/2008	Bucher
D553,731 S	10/2007	Bucher	D566,258 S	4/2008	Bucher
D554,252 S	10/2007	Bucher	D566,259 S	4/2008	Bucher
D555,779 S	11/2007	Bucher	D572,814 S	7/2008	Bucher
D556,881 S	12/2007	Bucher	D574,985 S	8/2008	Bucher
D560,299 S	1/2008	Bucher	D575,863 S	8/2008	Bucher
D563,541 S	3/2008	Bucher	D577,809 S	9/2008	Frisch
D565,170 S *	3/2008	Hsu D23/411	D627,051 S *	11/2010	Pan D23/411
			2008/0193291 A1 *	8/2008	Ware 416/5
			2009/0039805 A1 *	2/2009	Tang 318/16

* cited by examiner

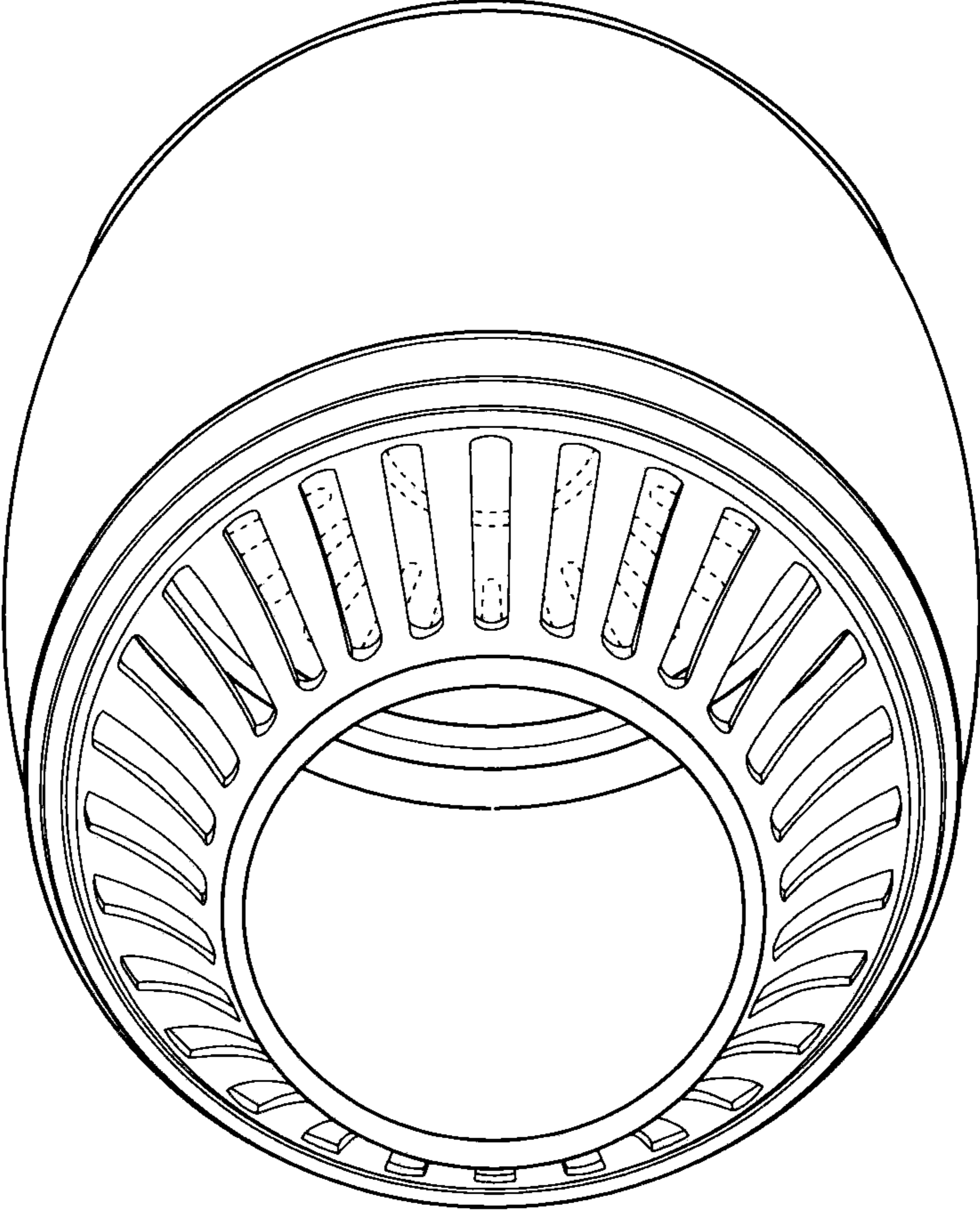


FIG. 1

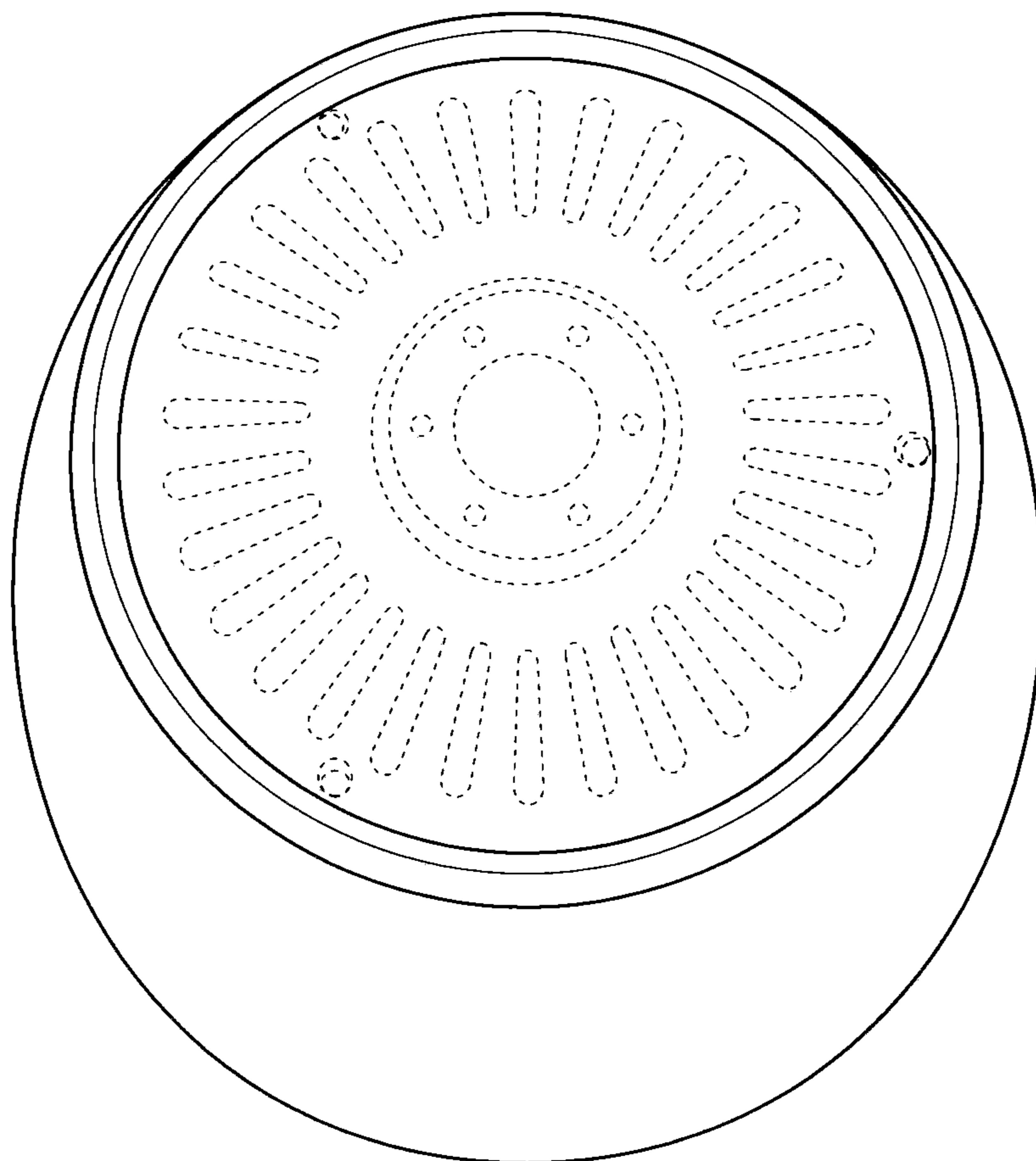


FIG. 2

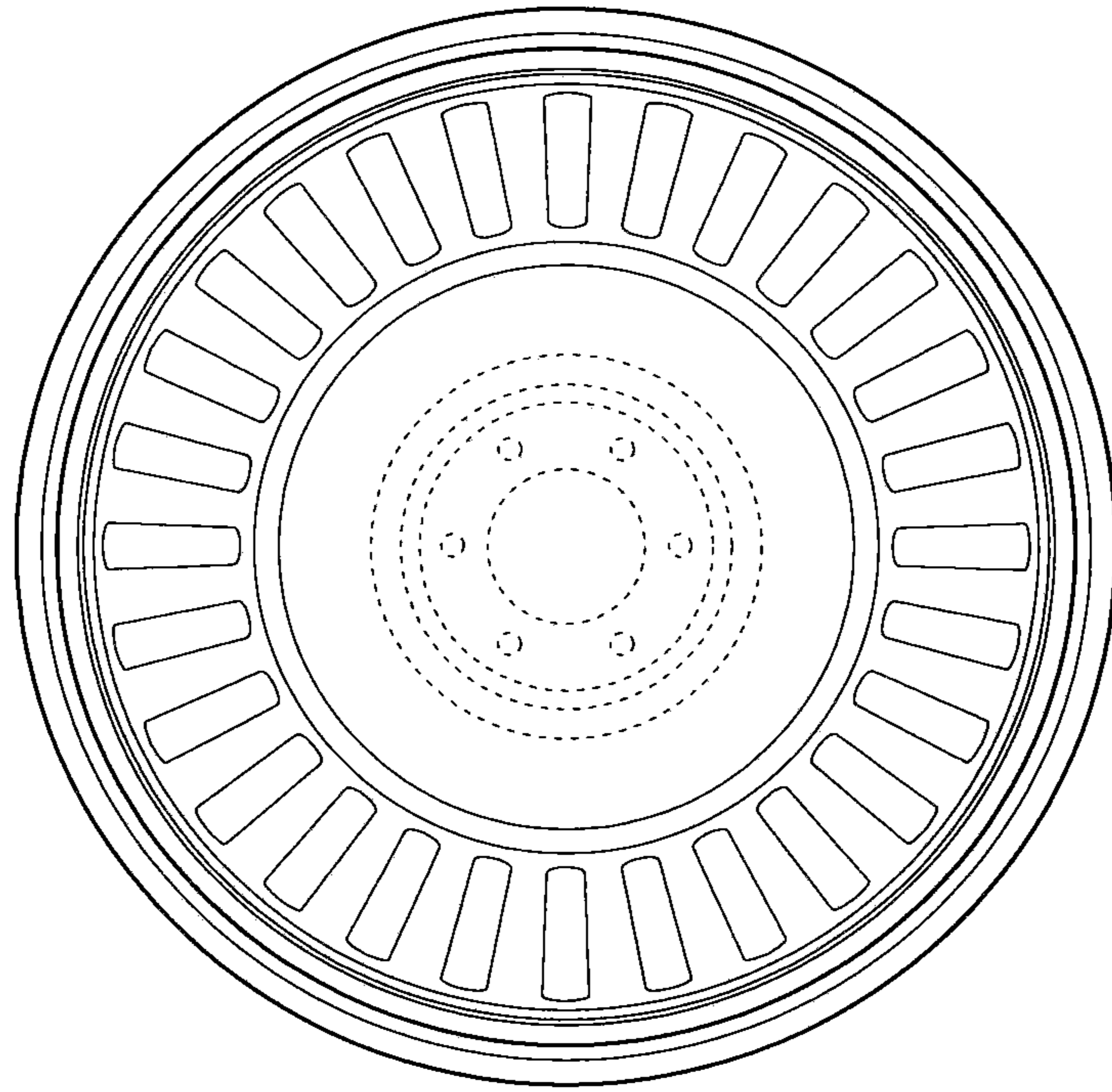


FIG. 3

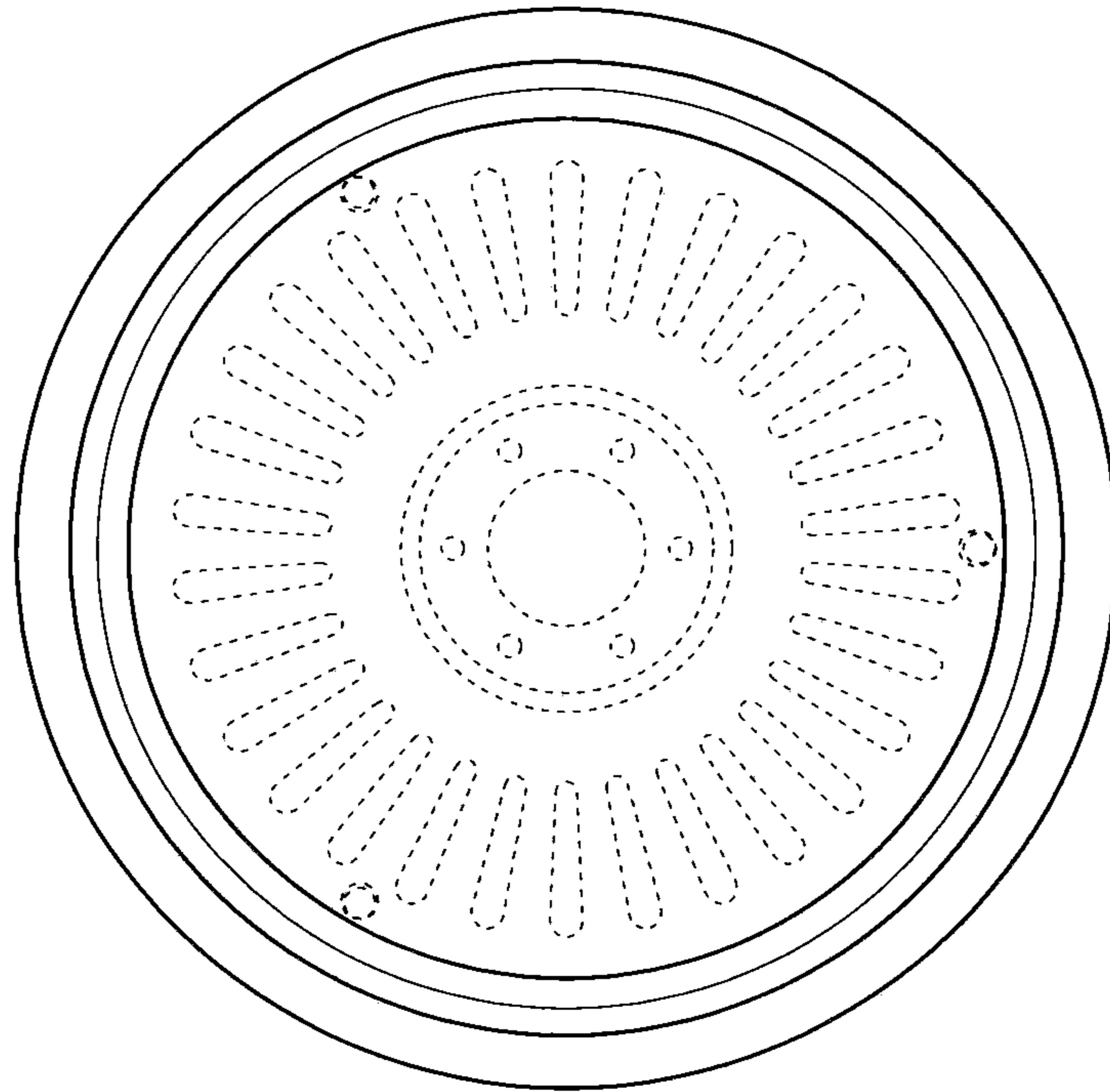


FIG. 4

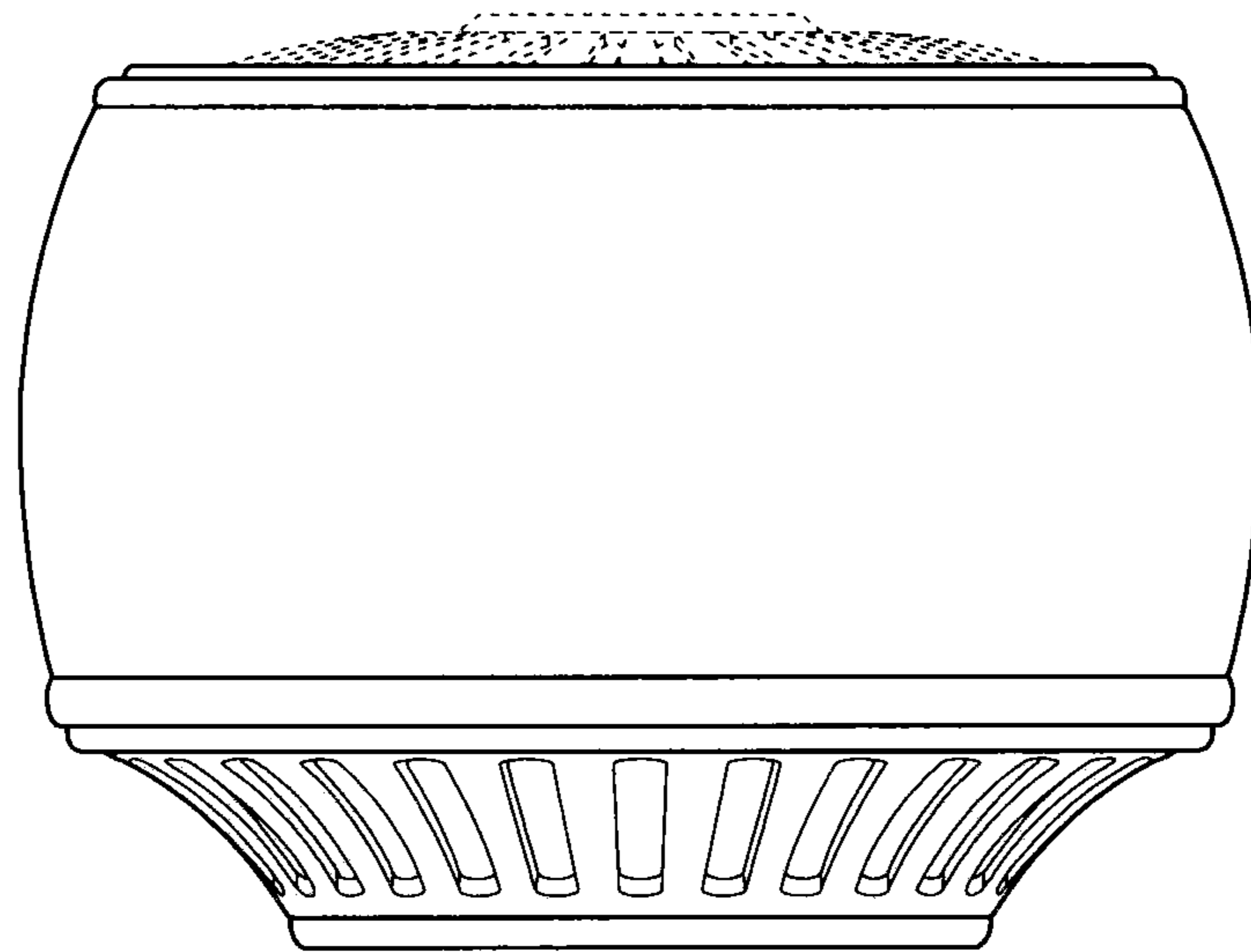


FIG. 5

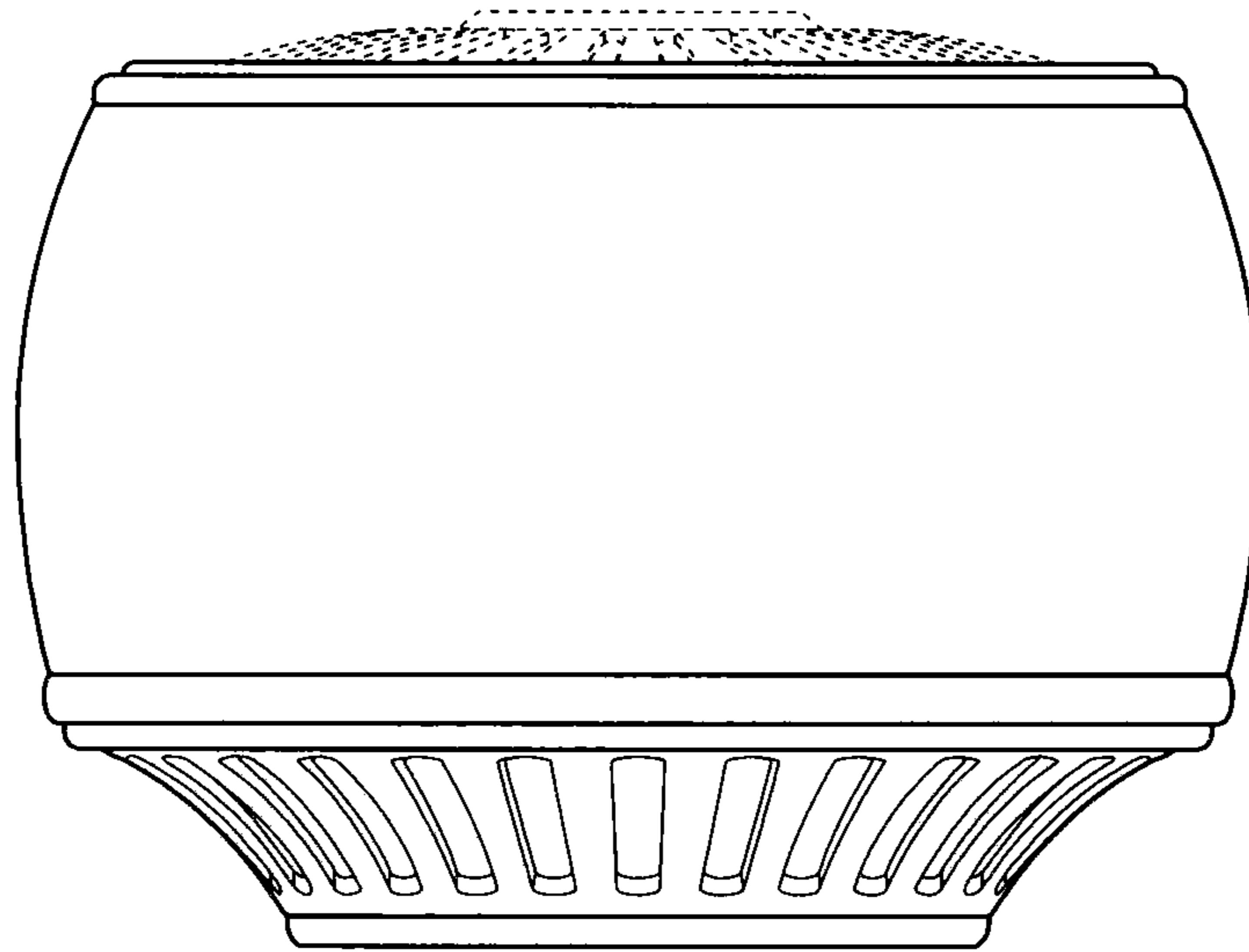


FIG. 6

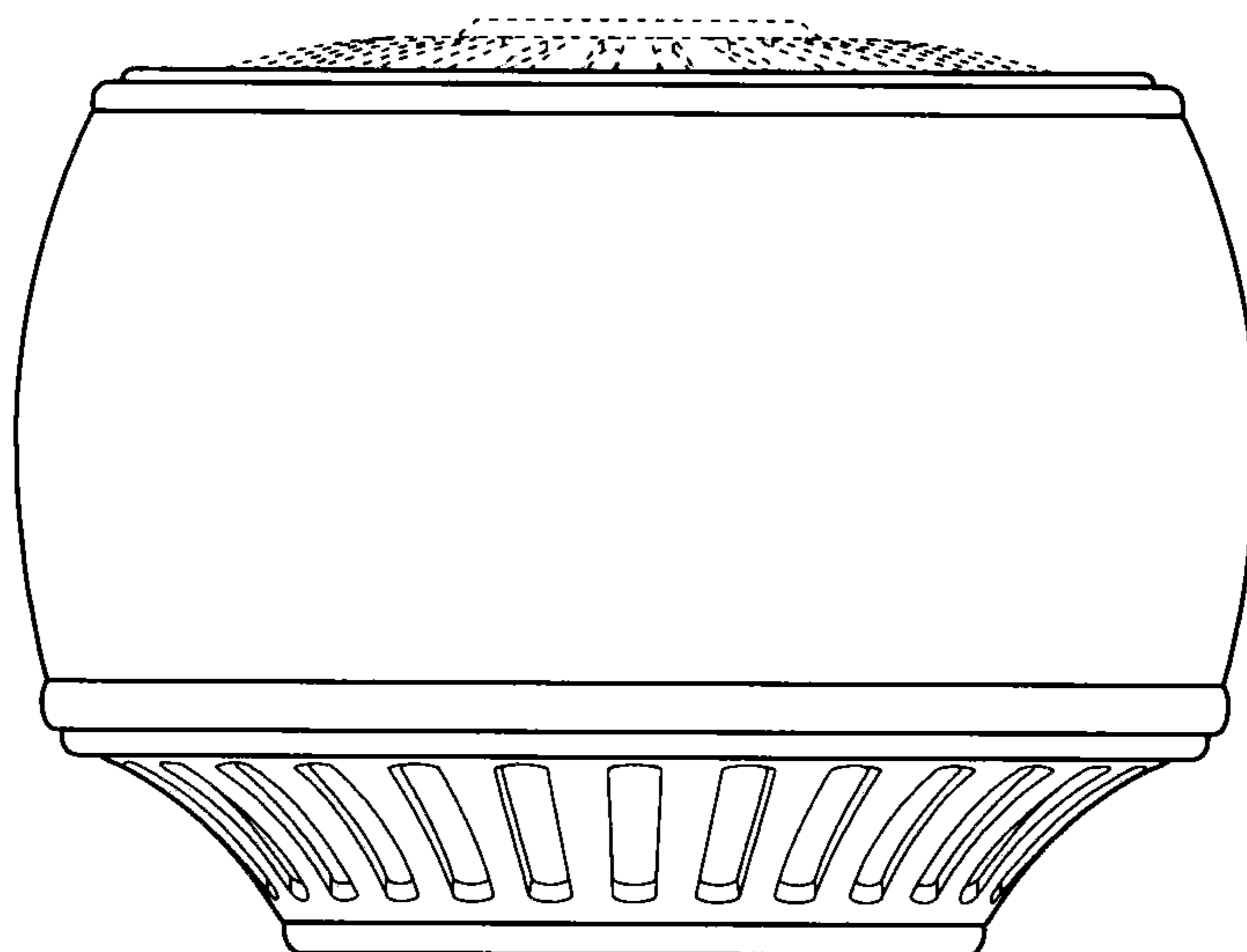


FIG. 7

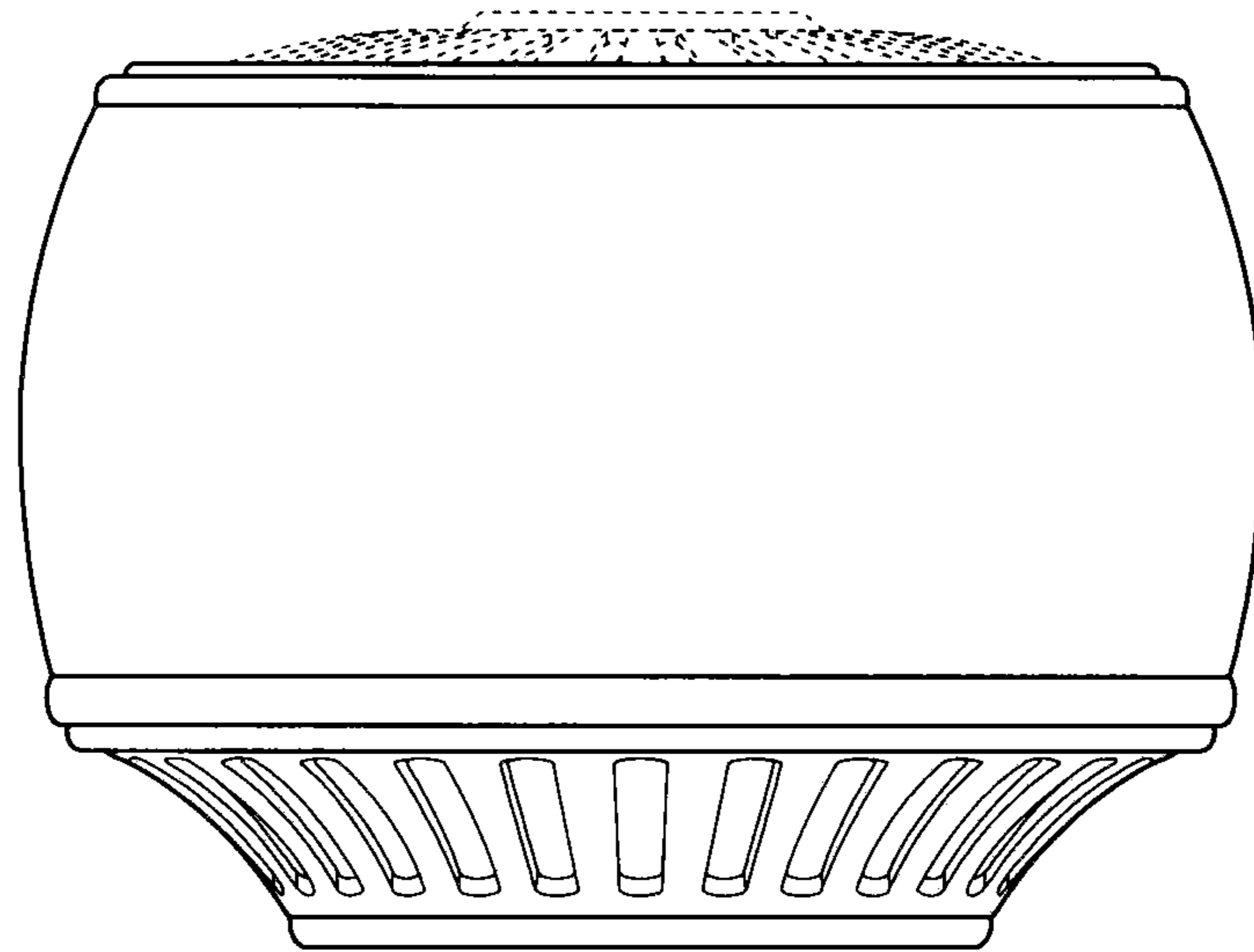


FIG. 8