



US00D690408S

(12) **United States Design Patent**  
**Williams et al.**

(10) **Patent No.:** **US D690,408 S**  
(45) **Date of Patent:** **\*\* Sep. 24, 2013**

(54) **AIR FILTER**  
(71) Applicant: **K&N Engineering, Inc.**, Riverside, CA (US)  
(72) Inventors: **Steve Williams**, Beaumont, CA (US);  
**Jere James Wall**, Helendale, CA (US)  
(73) Assignee: **K&N Engineering, Inc.**, Riverside, CA (US)

D403,418 S *	12/1998	Brinkman et al.	.....	D23/365
D419,215 S *	1/2000	Kim	.....	D23/209
D470,216 S *	2/2003	Gustafson et al.	.....	D23/209
D474,836 S *	5/2003	Chang	.....	D23/365
D533,265 S *	12/2006	Fiello et al.	.....	D23/365
D541,399 S *	4/2007	Khalil	.....	D23/365
D638,034 S *	5/2011	Jiang et al.	.....	D15/5
D652,496 S *	1/2012	Greenlees	.....	D23/365
D652,497 S *	1/2012	Troxell et al.	.....	D23/365
D667,099 S *	9/2012	Williams et al.	.....	D23/365
D677,370 S *	3/2013	Handley et al.	.....	D23/365

(\*\*) Term: **14 Years**  
(21) Appl. No.: **29/440,278**

\* cited by examiner

*Primary Examiner* — David Muller

(22) Filed: **Dec. 20, 2012**  
(51) **LOC (9) Cl.** ..... **23-04**  
(52) **U.S. Cl.**  
USPC ..... **D23/365**  
(58) **Field of Classification Search**  
USPC ..... D23/365, 209, 363, 358, 386, 354,  
D23/341, 364; 55/385.3, 502, 497, 506,  
55/505, 521, 495, 422, 493, DIG. 30; 210/435,  
210/130, 136, 248, 339, 448, 452, 497.1;  
D32/31; D15/5  
See application file for complete search history.

(74) *Attorney, Agent, or Firm* — Rutan & Tucker LLP; Hani Z. Sayed

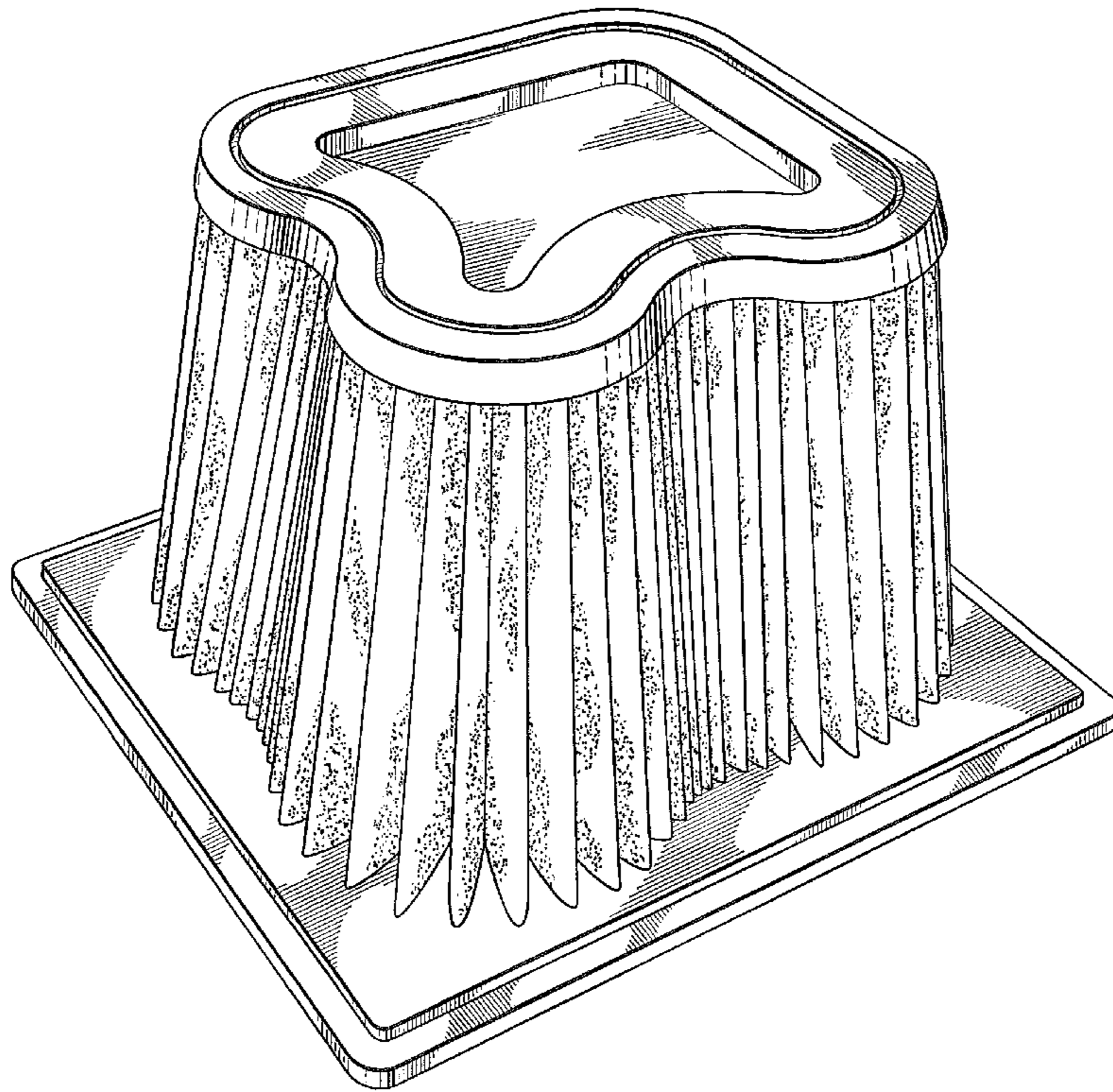
(57) **CLAIM**  
The ornamental design for air filter, as shown and described.

(56) **References Cited**  
U.S. PATENT DOCUMENTS  
D398,368 S \* 9/1998 Schroer ..... D23/209  
D401,684 S \* 11/1998 Shelton et al. .... D23/365

**DESCRIPTION**

FIG. 1 is a top, front, left side perspective view of an exemplary embodiment of the present invention;  
FIG. 2 is a bottom, rear, left side perspective view thereof;  
FIG. 3 is a front elevation view thereof;  
FIG. 4 is a left side elevation view thereof;  
FIG. 5 is a rear elevation view thereof;  
FIG. 6 is a right side elevation view thereof;  
FIG. 7 is a top plan view thereof; and,  
FIG. 8 is a bottom plan view thereof.

**1 Claim, 6 Drawing Sheets**



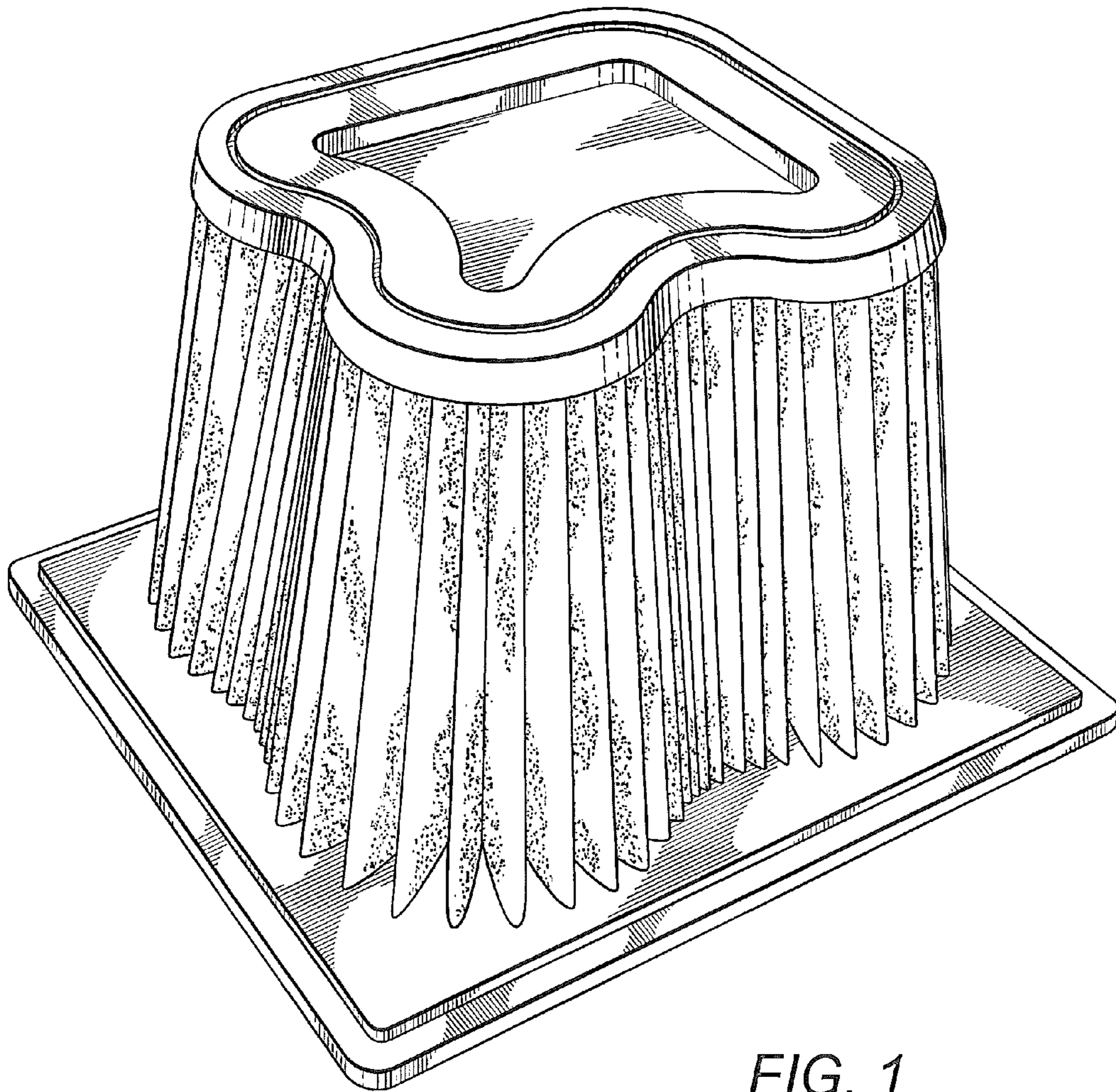


FIG. 1

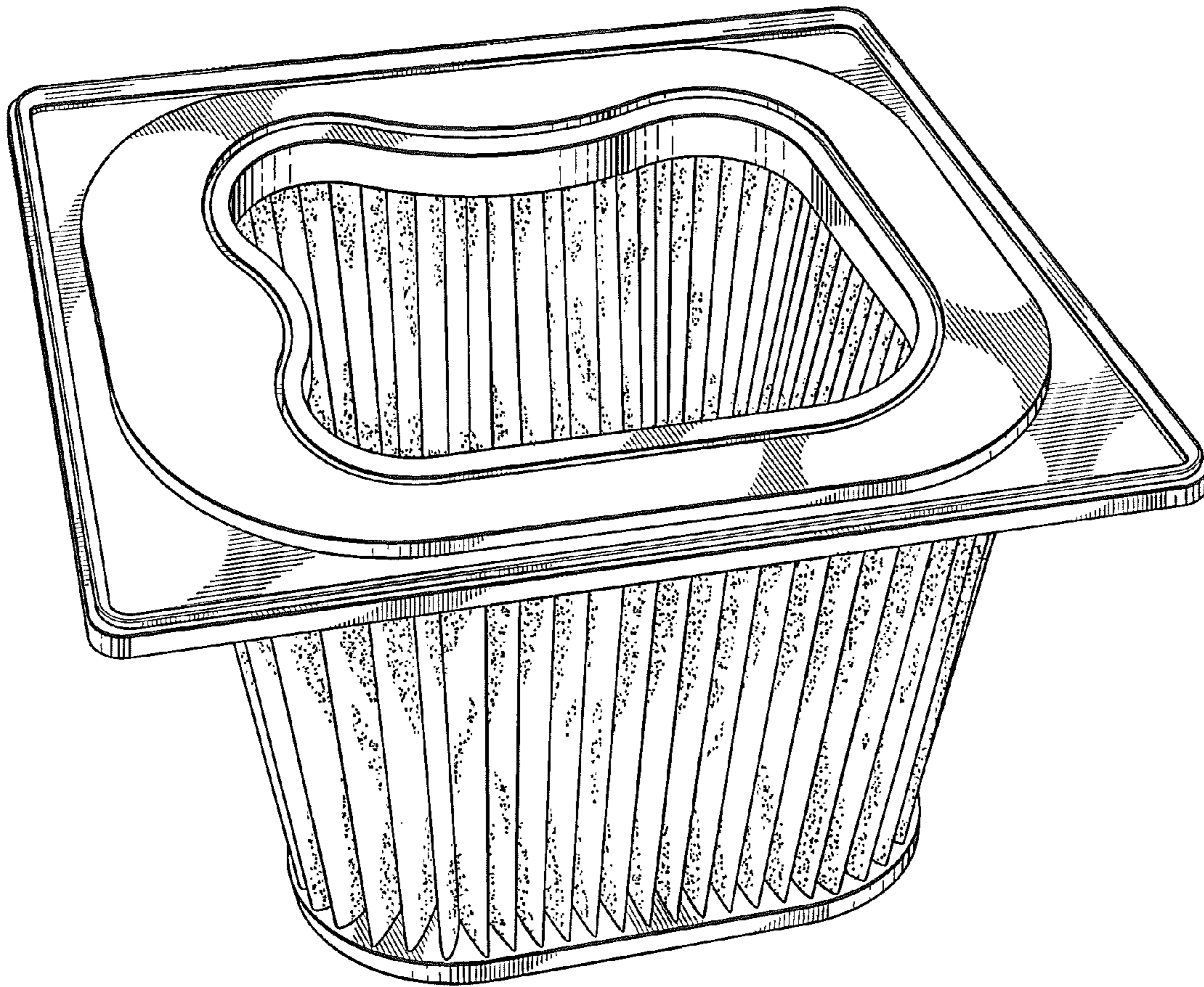


FIG. 2

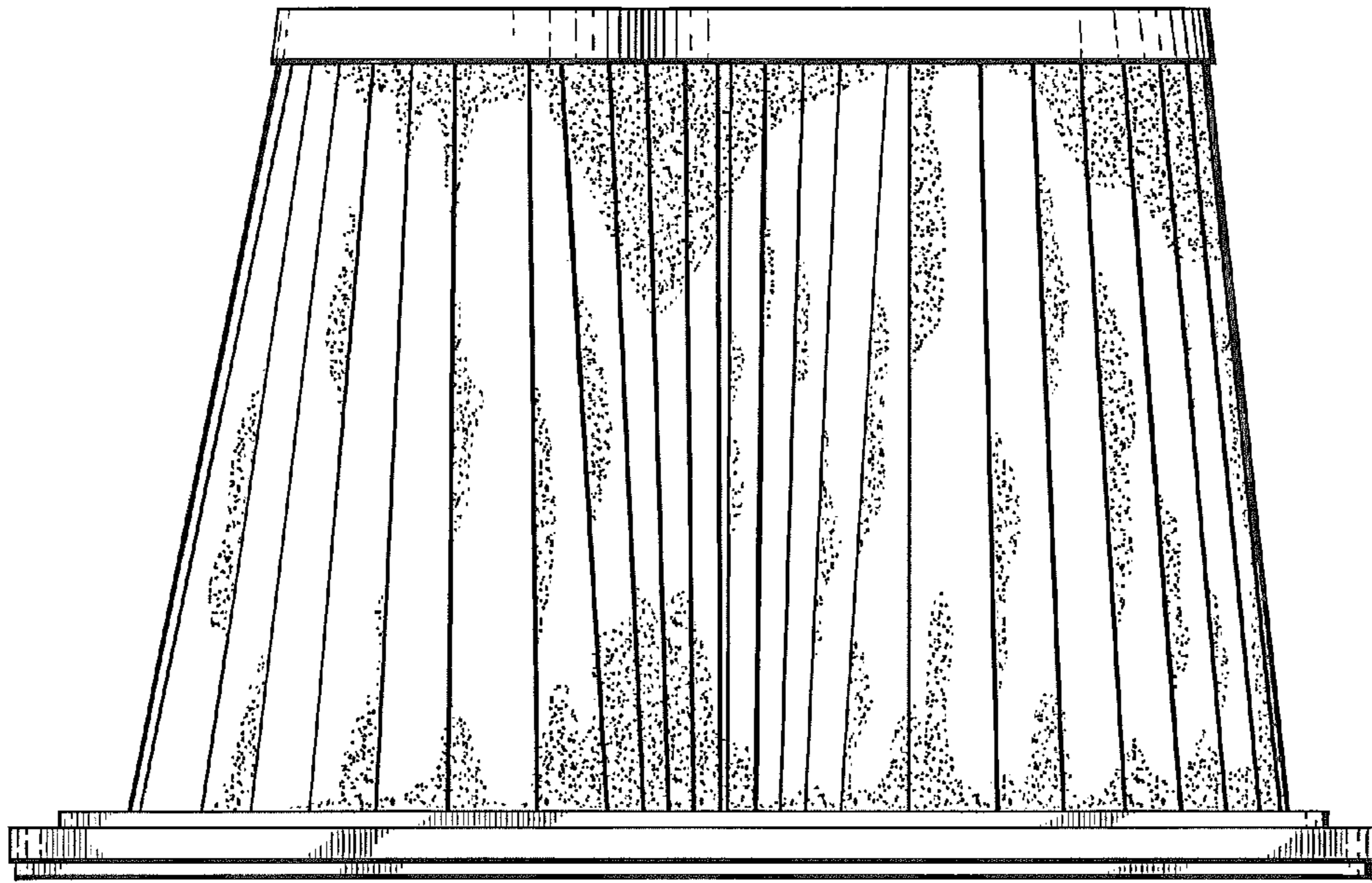


FIG. 3

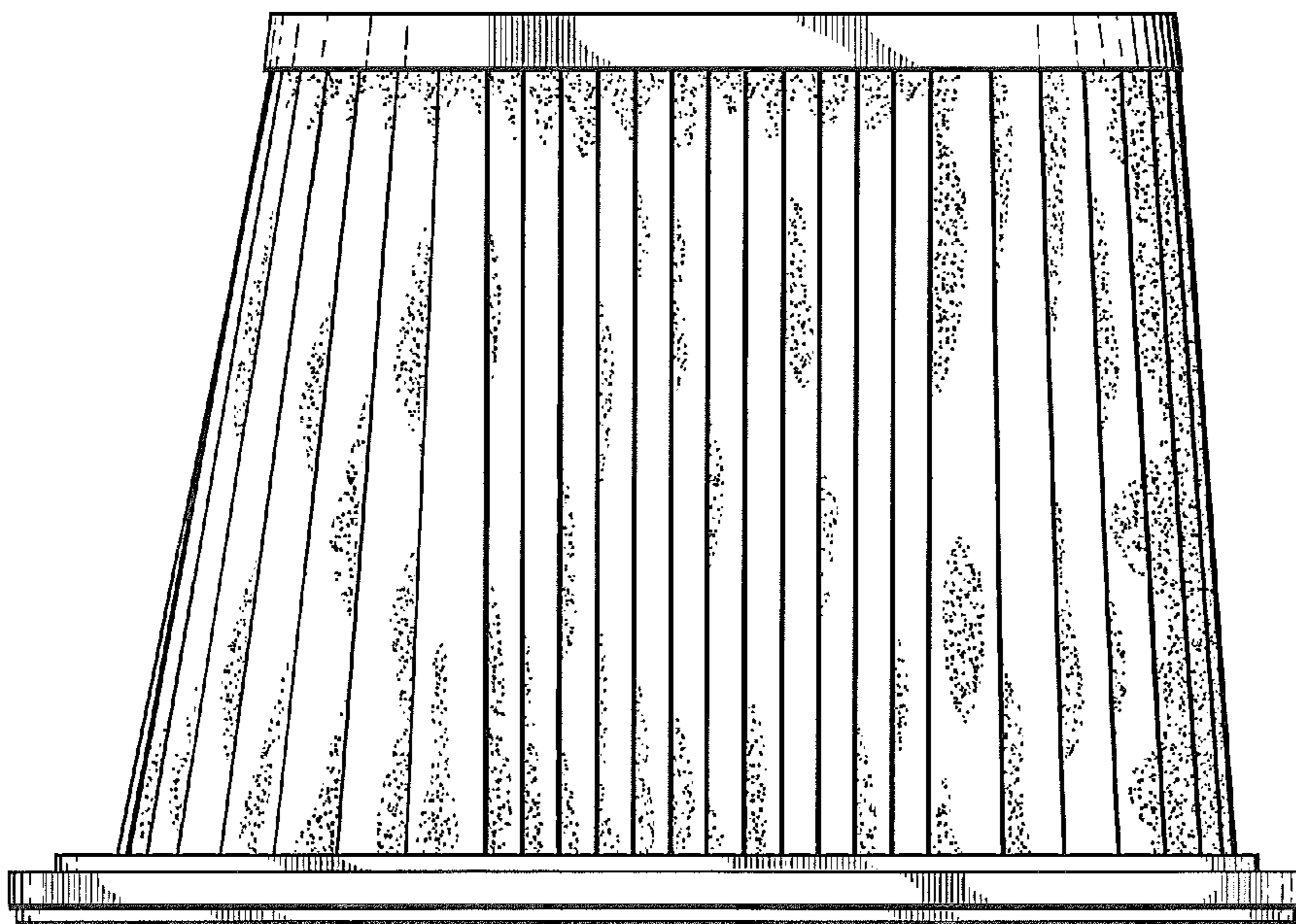


FIG. 4

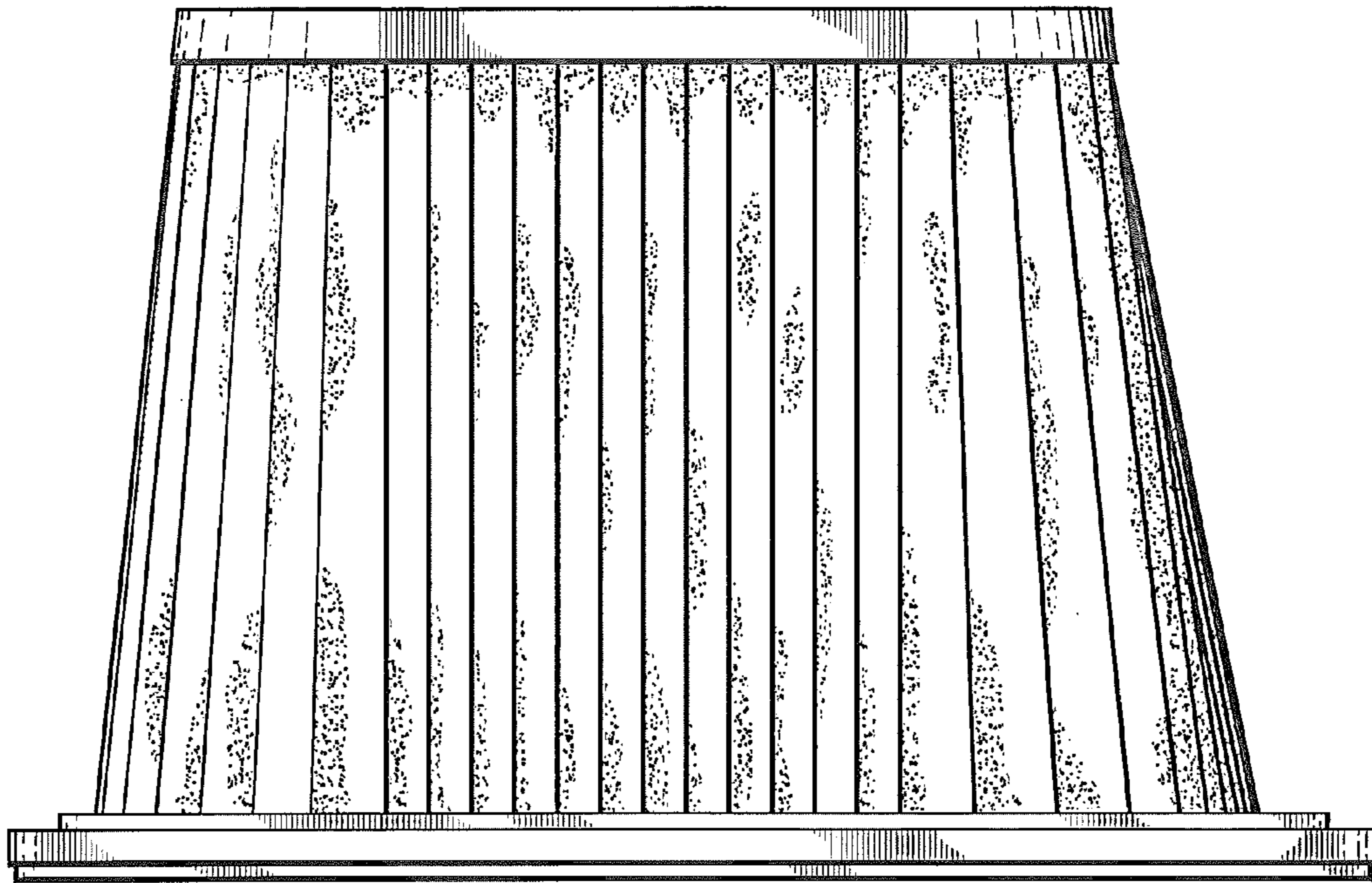


FIG. 5

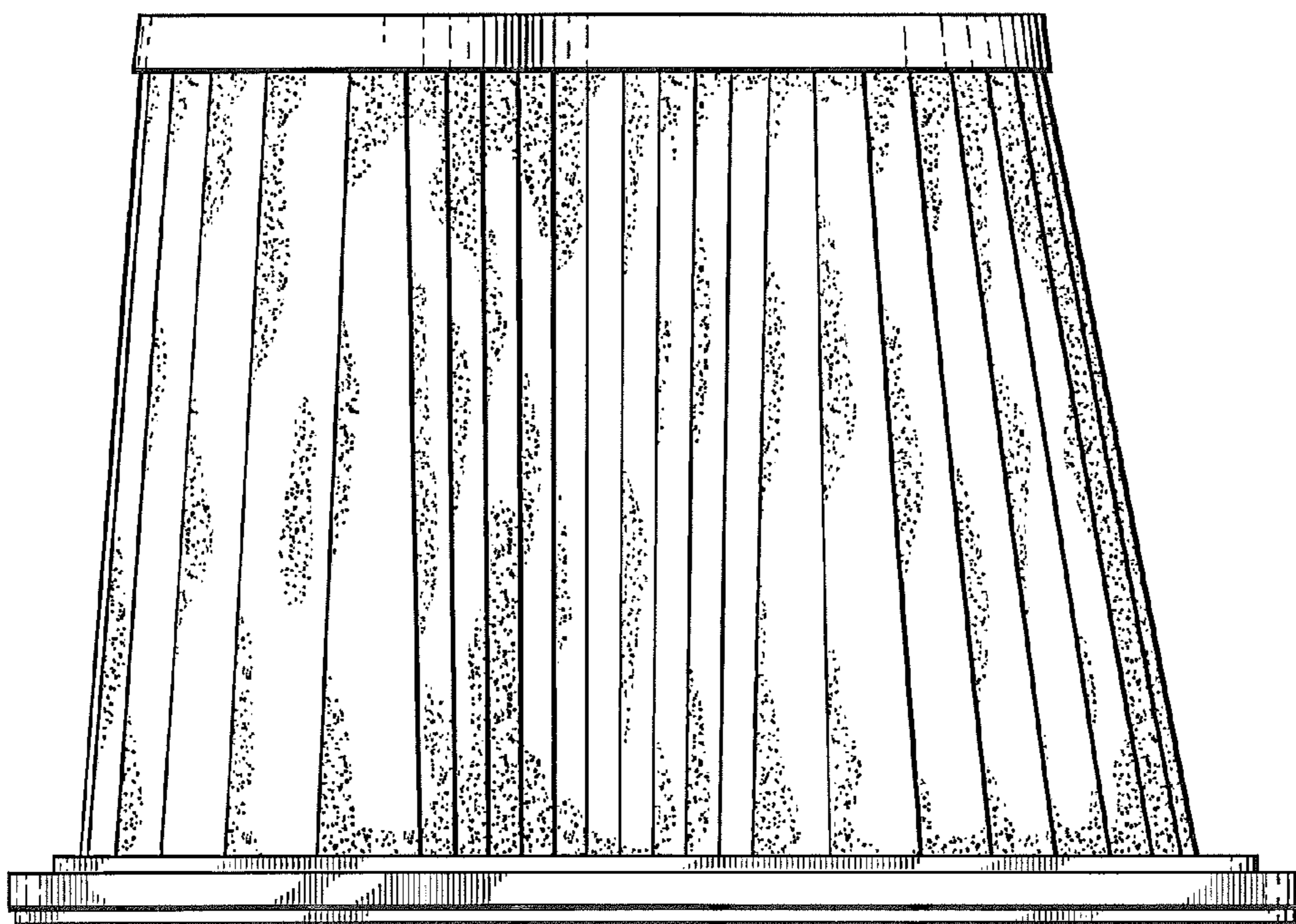


FIG. 6

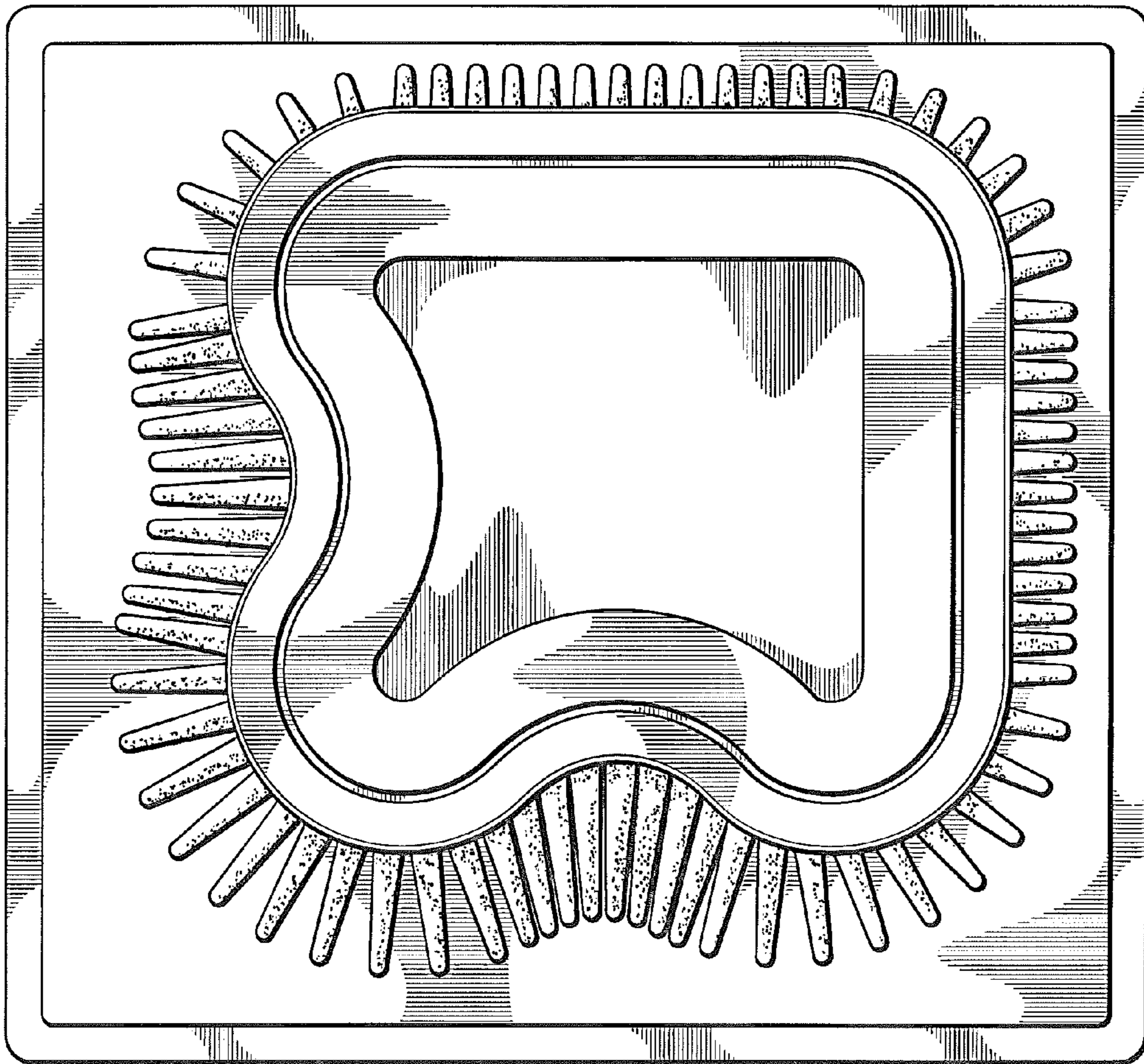


FIG. 7

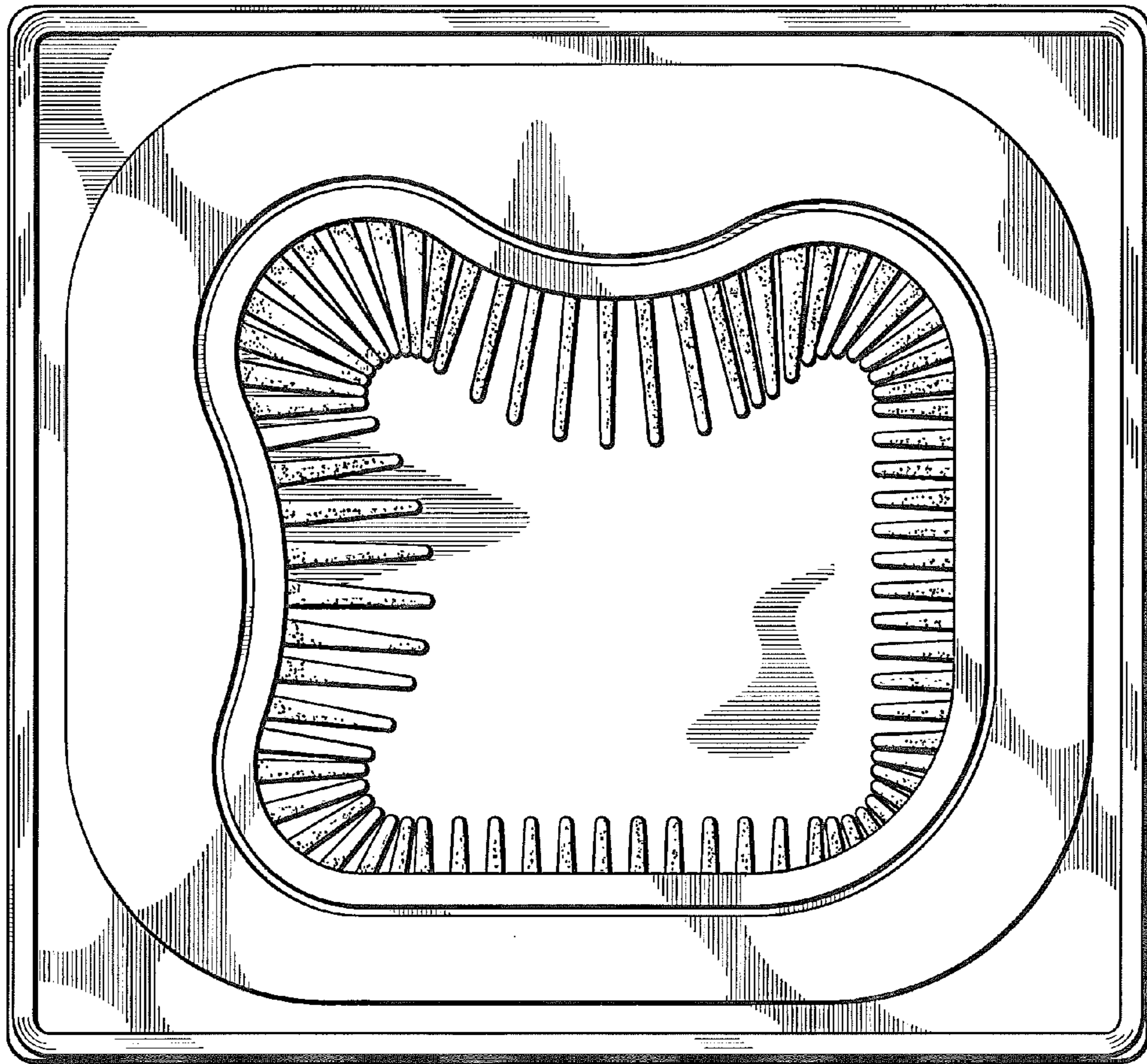


FIG. 8