

US00D690405S

(12) **United States Design Patent**  
**Lowsky**

(10) **Patent No.:** **US D690,405 S**

(45) **Date of Patent:** **\*\* Sep. 24, 2013**

- (54) **FIRE PIT**
- (71) Applicant: **Jamie Lowsky**, Aventura, FL (US)
- (72) Inventor: **Jamie Lowsky**, Aventura, FL (US)
- (\*\*) Term: **14 Years**
- (21) Appl. No.: **29/451,858**
- (22) Filed: **Apr. 9, 2013**

- D286,002 S 10/1986 Brix
- 4,840,128 A 6/1989 McFarlane et al.
- 4,850,333 A 7/1989 Dellrud et al.
- 5,176,124 A 1/1993 Wrasse
- D361,467 S 8/1995 Kabayama
- D383,029 S 9/1997 Strelcheck, Jr. et al.
- D389,009 S 1/1998 Baykal
- D394,779 S 6/1998 Hilvitz
- D449,490 S 10/2001 Frederick
- D468,952 S 1/2003 Graham et al.
- 6,609,514 B1 8/2003 Bertolas
- D512,775 S 12/2005 Rosen
- D540,451 S 4/2007 Emalfarb
- D575,389 S 8/2008 Lazzara

**Related U.S. Application Data**

- (63) Continuation of application No. 29/426,561, filed on Jul. 6, 2012, now Pat. No. Des. 679,791.
  - (51) **LOC (9) Cl.** ..... **23-03**
  - (52) **U.S. Cl.**  
USPC ..... **D23/343**
  - (58) **Field of Classification Search**  
USPC ..... D23/314, 317, 332, 338, 339, 340,  
D23/342, 343, 346; 26/523; 126/527, 536,  
126/544, 555, 25 R, 58, 8, 512, 92 R, 519;  
D7/335; D6/486
- See application file for complete search history.

(Continued)

*Primary Examiner* — T. Chase Nelson

*Assistant Examiner* — Ania Aman

(74) *Attorney, Agent, or Firm* — Akerman Senterfitt; Peter A. Chiabotti

(56) **References Cited**

**U.S. PATENT DOCUMENTS**

- 2,079,225 A 5/1937 Sabaneeff et al.
- D131,939 S 4/1942 Robinson et al.
- D177,153 S 3/1956 Sorchini et al.
- D183,890 S 11/1958 Lee et al.
- D184,794 S 4/1959 Barber et al.
- 3,765,397 A 10/1973 Henderson et al.
- D246,687 S 12/1977 Selva
- 4,167,176 A 9/1979 Johnson
- D253,931 S 1/1980 DeVischer et al.
- D258,259 S 2/1981 Lindholm
- D262,086 S 12/1981 Miller
- D262,427 S 12/1981 Boston et al.
- D273,264 S 4/1984 Elliston
- D280,580 S 9/1985 Appel et al.
- 4,582,046 A 4/1986 Yamada

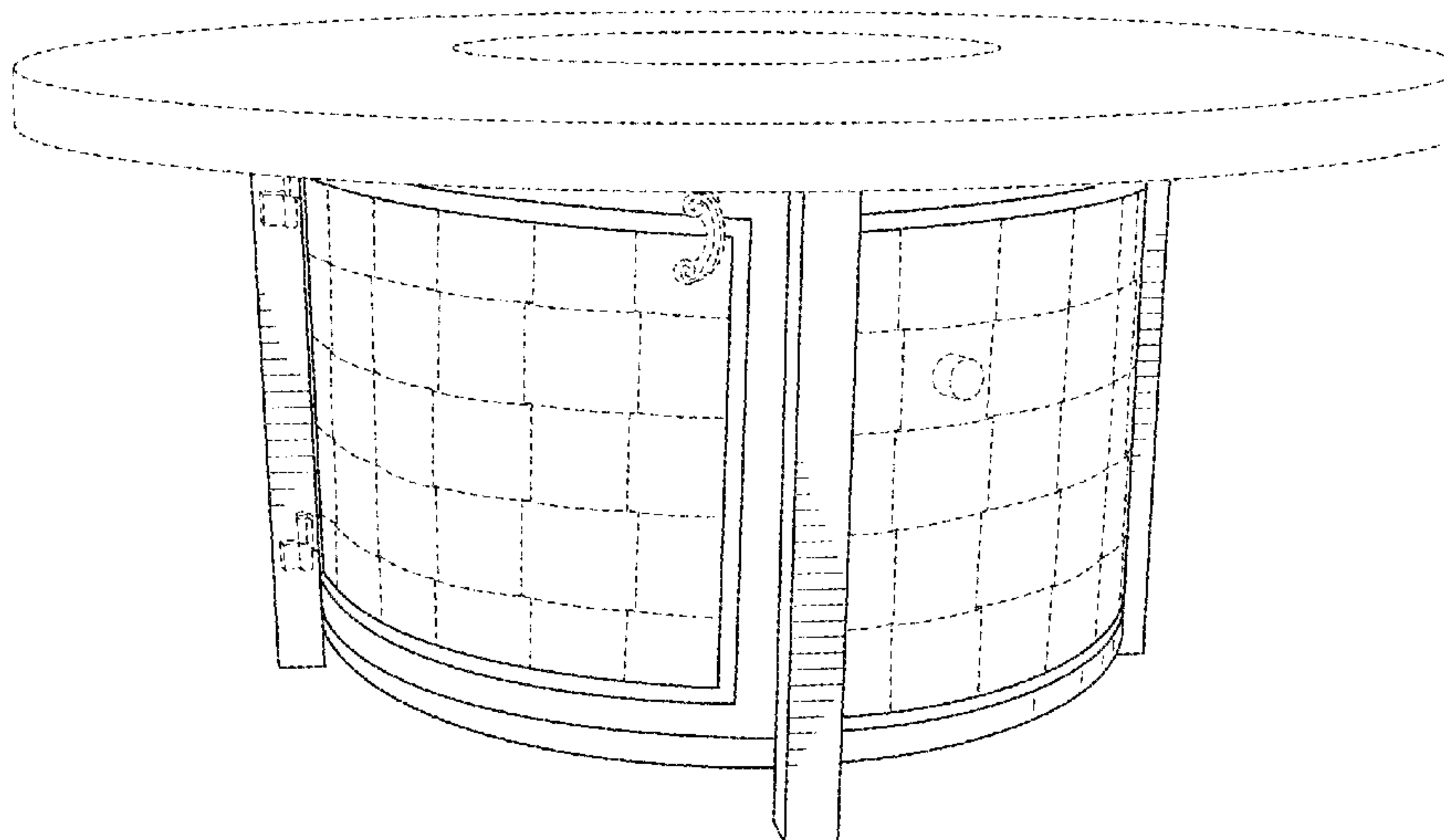
(57) **CLAIM**

The ornamental design for a fire pit, as shown and described.

**DESCRIPTION**

FIG. 1 is a perspective view of my ornamental design; FIG. 2 is a top plan view of the ornamental design of FIG. 1; FIG. 3 is a bottom plan view of the ornamental design of FIG. 1; FIG. 4 is a side elevation view of the ornamental design of FIG. 1; FIG. 5 is second side elevation view of the ornamental design of FIG. 1; FIG. 6 is a third side elevation view of the ornamental design of FIG. 1; and, FIG. 7 is a fourth side elevation view of the ornamental design of FIG. 1. The broken lines in the figures are for the purpose of illustrating a portion of the fire pit that forms no part of the claims design.

**1 Claim, 7 Drawing Sheets**



(56)

**References Cited**

U.S. PATENT DOCUMENTS

D579,261 S 10/2008 Chiang  
D590,201 S 4/2009 Zagar

D595,833 S 7/2009 Lazzara  
D596,892 S 7/2009 Vanderminde  
D633,995 S 3/2011 Chiang  
8,028,690 B1 10/2011 Lohaus  
2006/0236996 A1 10/2006 Mosher et al.  
2009/0320403 A1 12/2009 Love

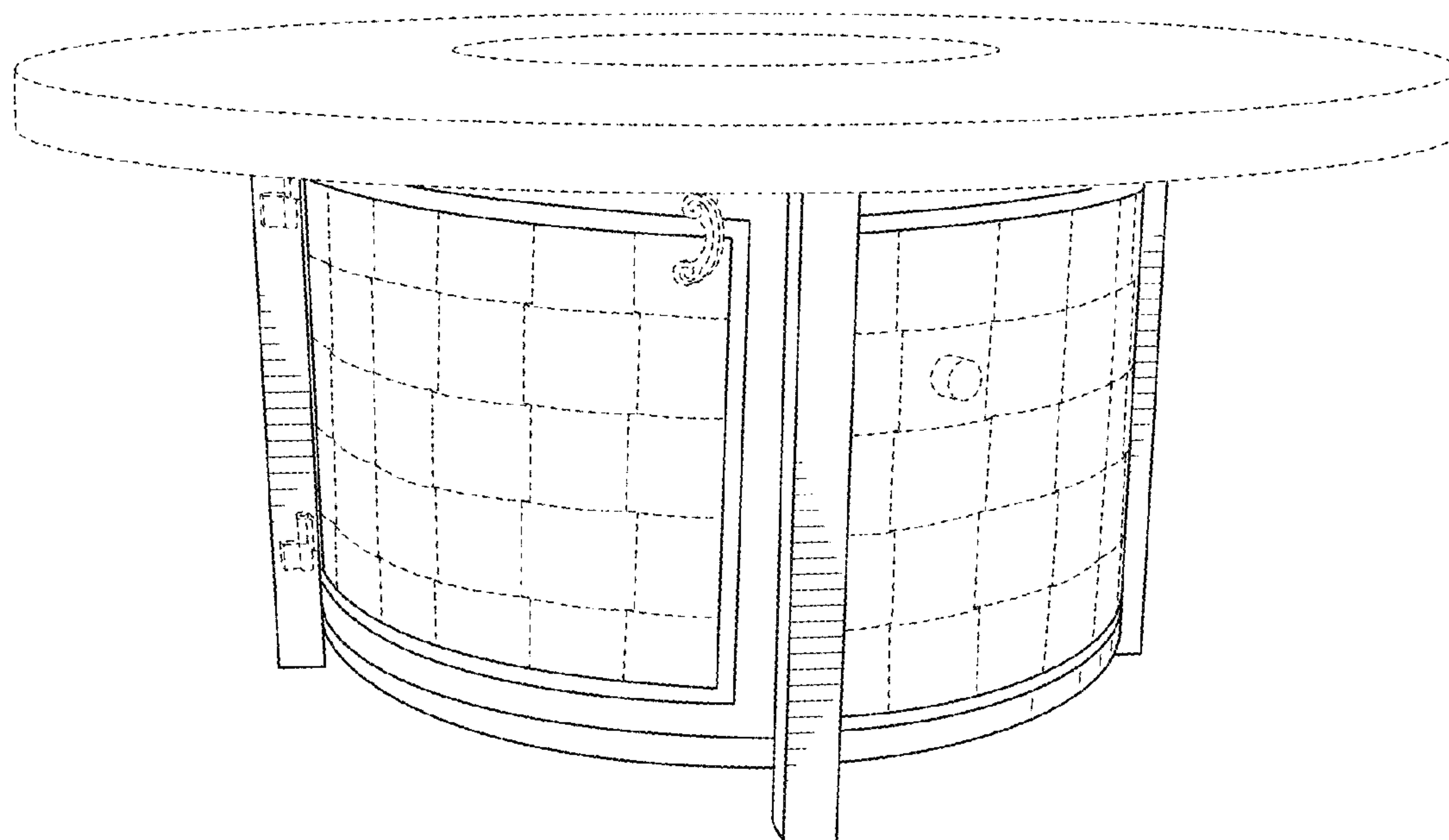
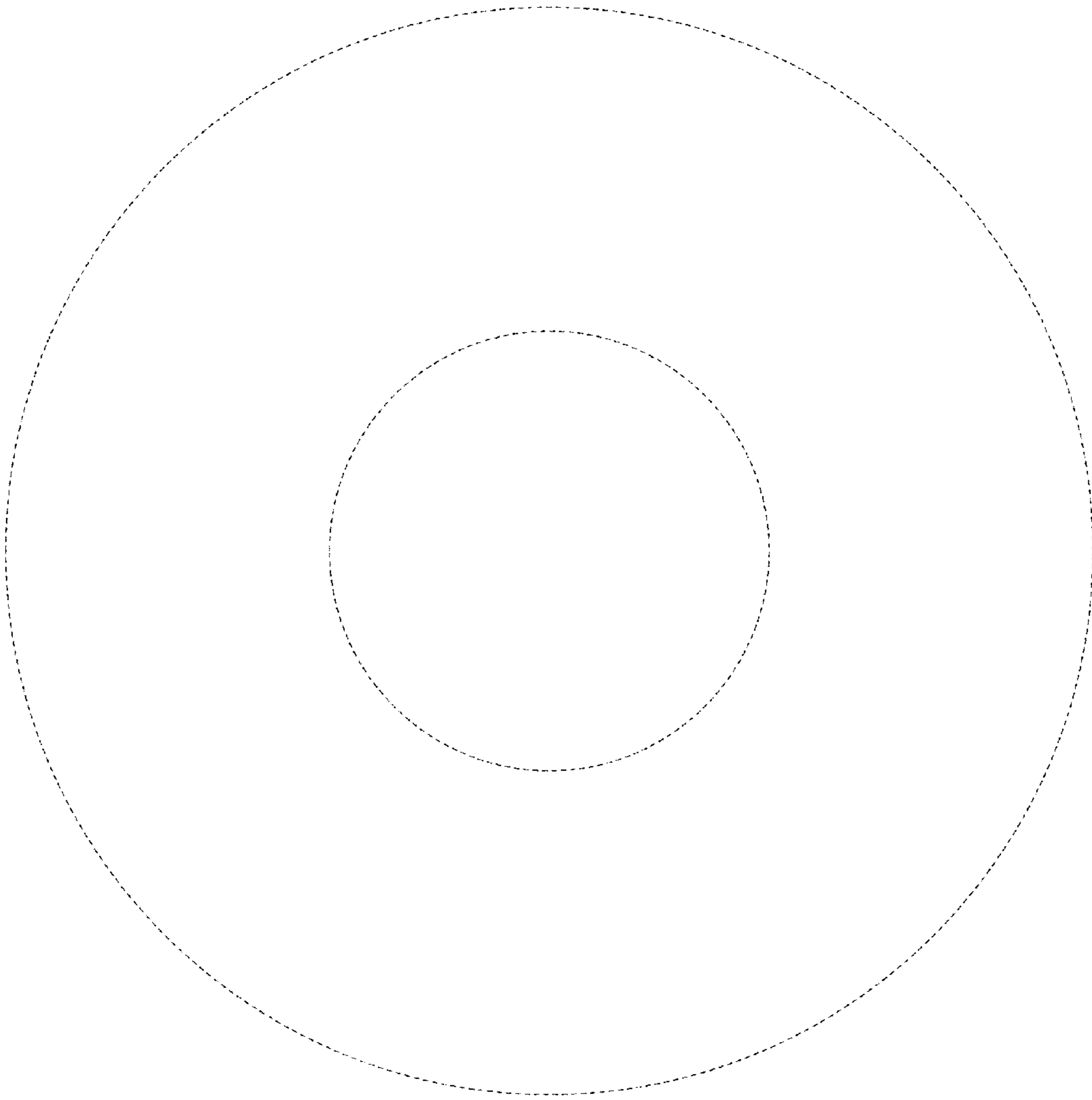


FIG. 1



**FIG. 2**

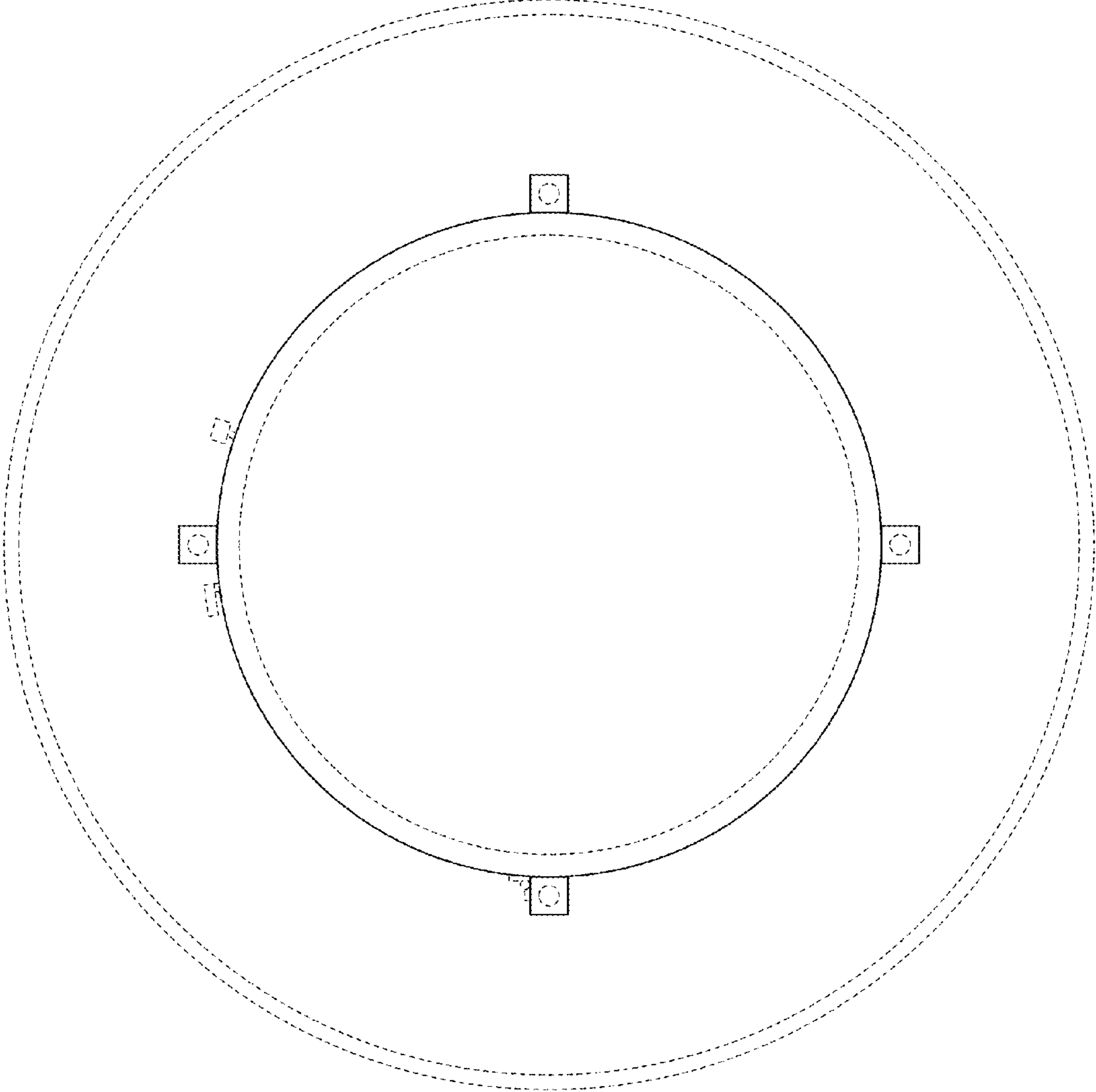


FIG. 3

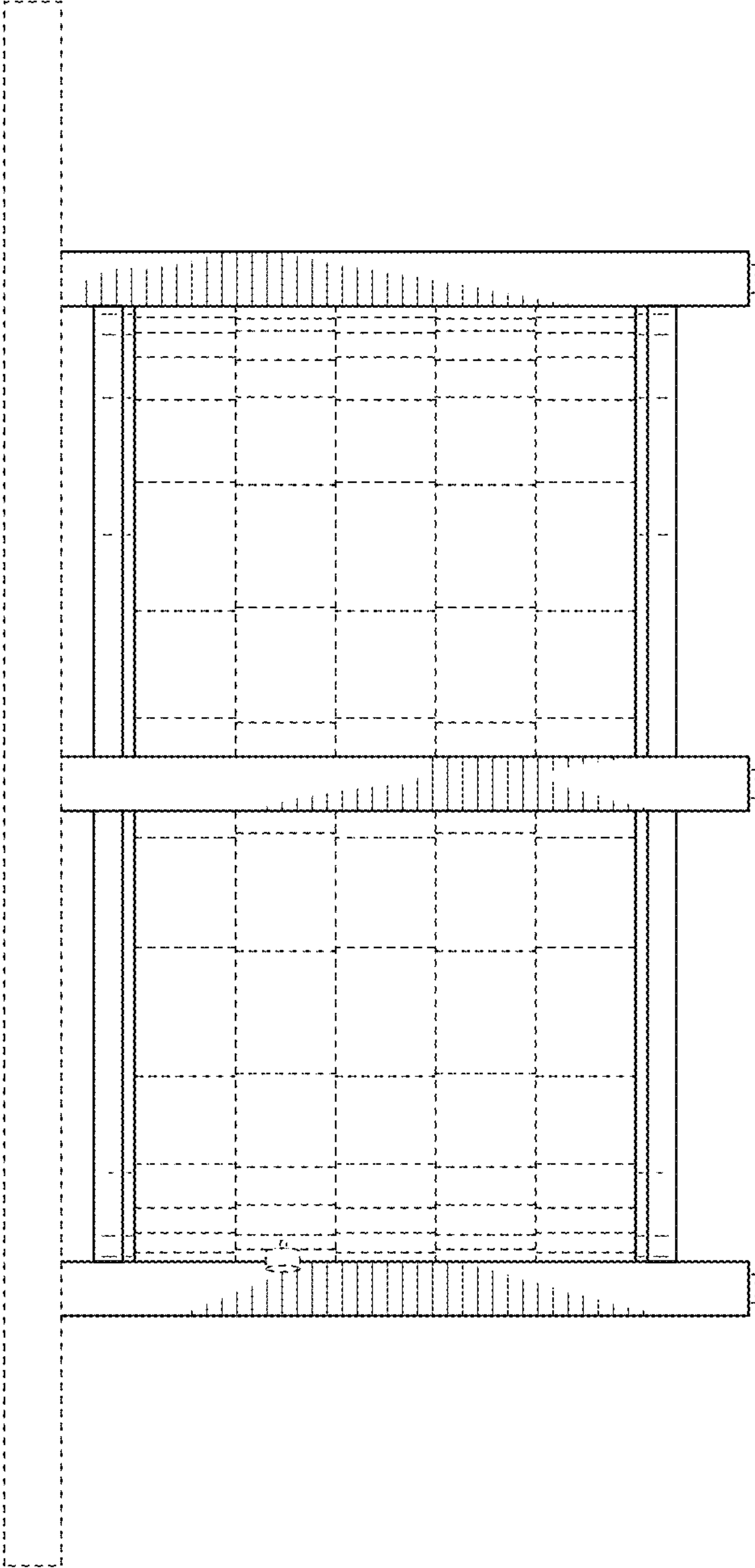


FIG. 4

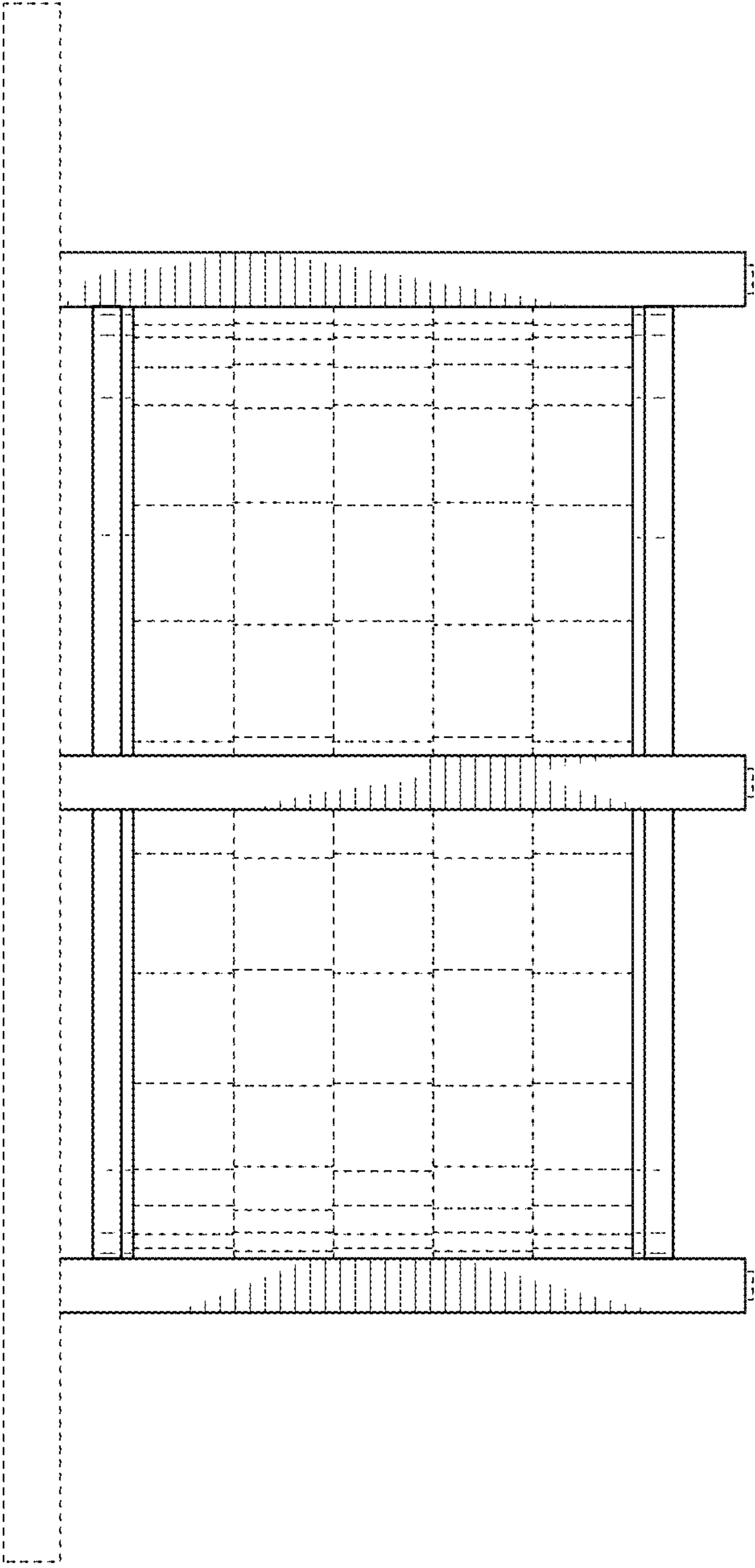


FIG. 5



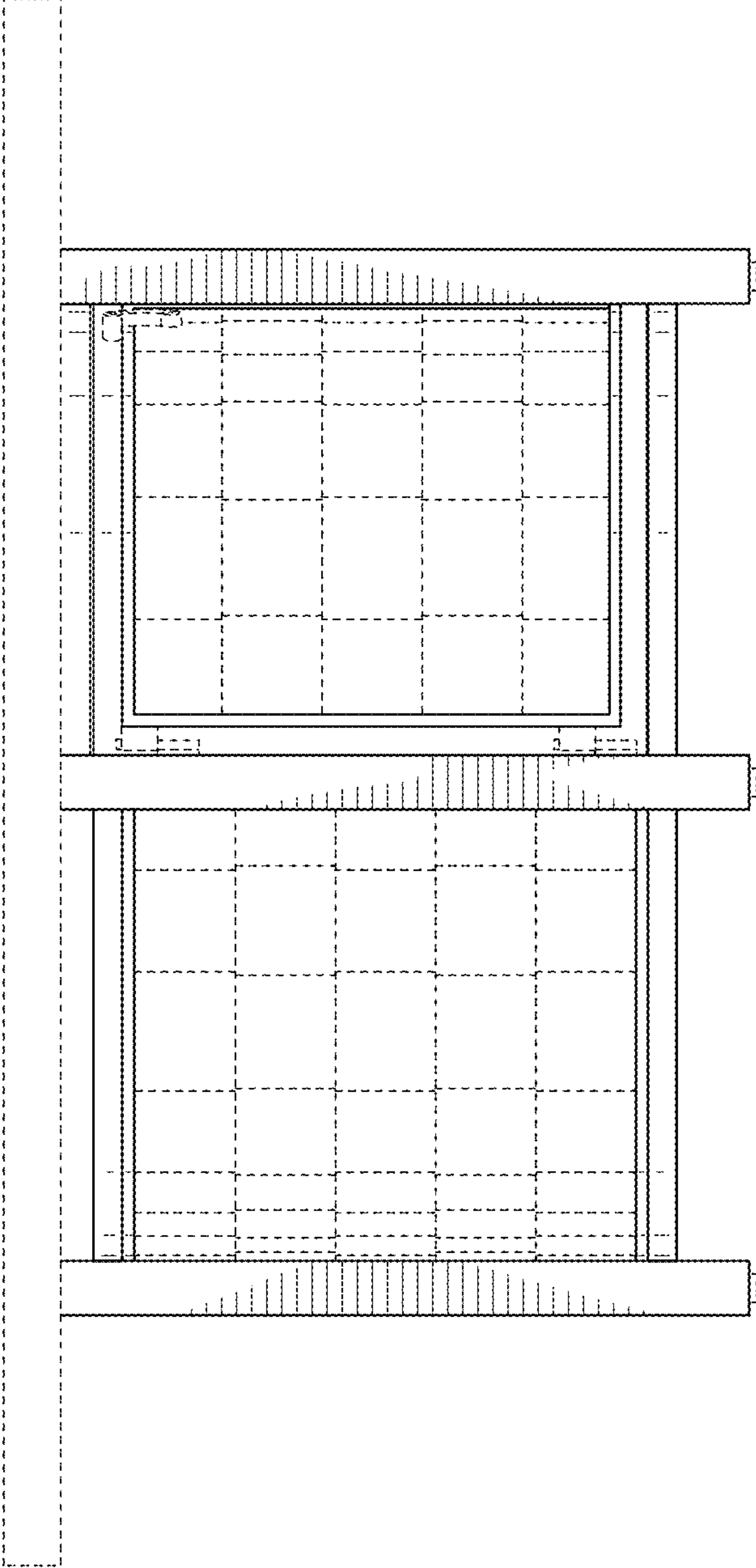


FIG. 6



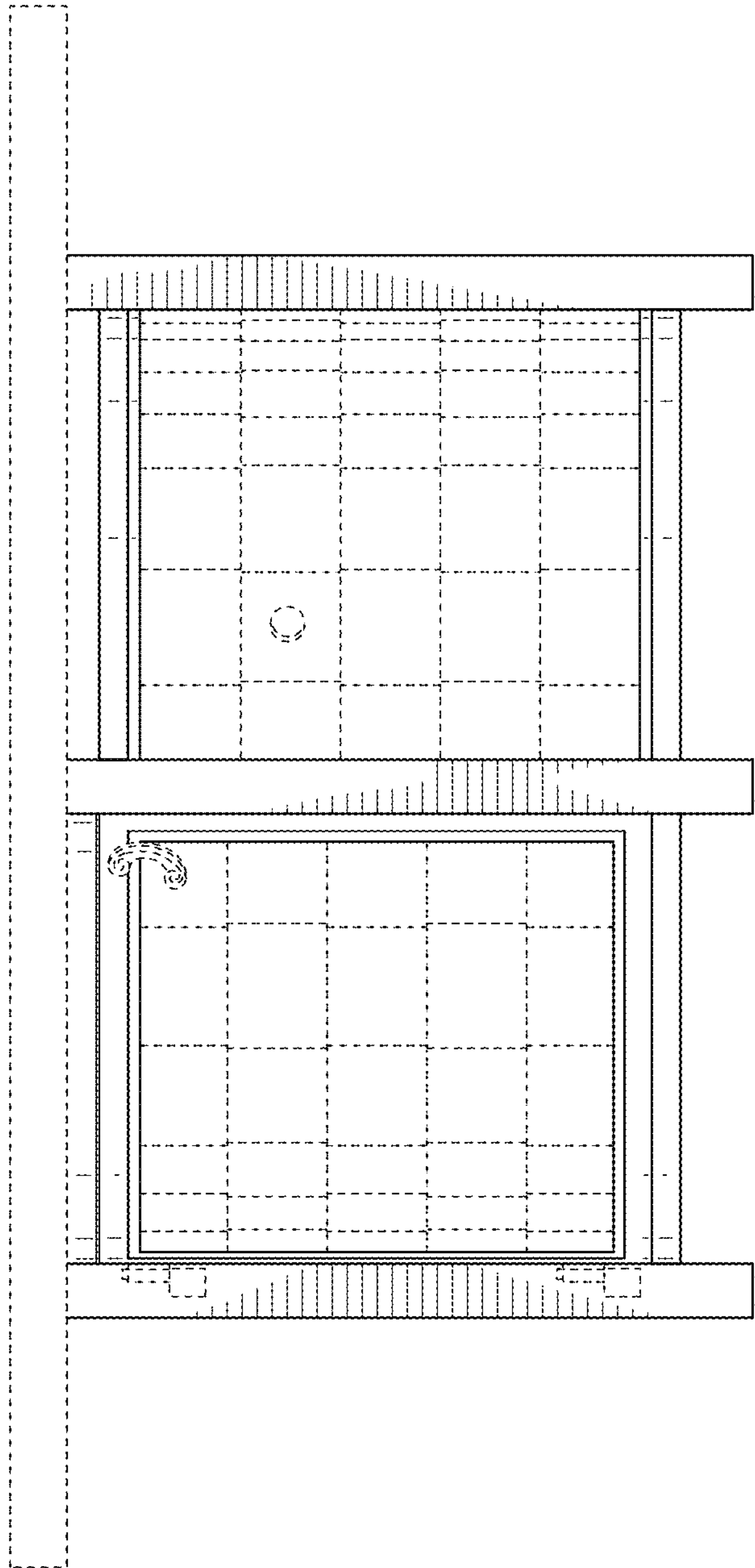


FIG. 7