

US00D690404S

(12) **United States Design Patent**
Blouin

(10) **Patent No.:** **US D690,404 S**

(45) **Date of Patent:** **** Sep. 24, 2013**

(54) **WOOD BURNING STOVE WITH INLAY**

(76) Inventor: **Eric Blouin, Quebec (CA)**

(**) Term: **14 Years**

(21) Appl. No.: **29/420,123**

(22) Filed: **May 4, 2012**

(51) **LOC (9) Cl.** **23-03**

(52) **U.S. Cl.**
USPC **D23/343**

(58) **Field of Classification Search**
USPC D23/346; D7/339, 340, 348; 126/39 R,
126/60, 65, 19 R, 39 B, 211, 214 R, 39 C;
219/391-392

See application file for complete search history.

(56) **References Cited**

U.S. PATENT DOCUMENTS

D64,307 S *	3/1924	O'Dowd	D7/340
D86,123 S *	2/1932	Hobson	D7/340
D112,135 S *	11/1938	Tullis	D7/340
D116,954 S *	10/1939	Heym	D7/340
D117,946 S *	12/1939	Criddle	D7/340

D187,968 S *	5/1960	Wilkinson	D23/342
4,394,857 A *	7/1983	Iannone	126/60
D273,322 S *	4/1984	Fleisler	D23/350
D397,776 S *	9/1998	Heger	D23/347
D408,072 S *	4/1999	Smith et al.	D23/350
D490,885 S *	6/2004	Warren	D23/350
D491,653 S *	6/2004	Warren	D23/350
D608,877 S *	1/2010	Mattis et al.	D23/346
D609,317 S *	2/2010	Mattis et al.	D23/346
D612,034 S *	3/2010	Mattis et al.	D23/346

* cited by examiner

Primary Examiner — Eric Goodman

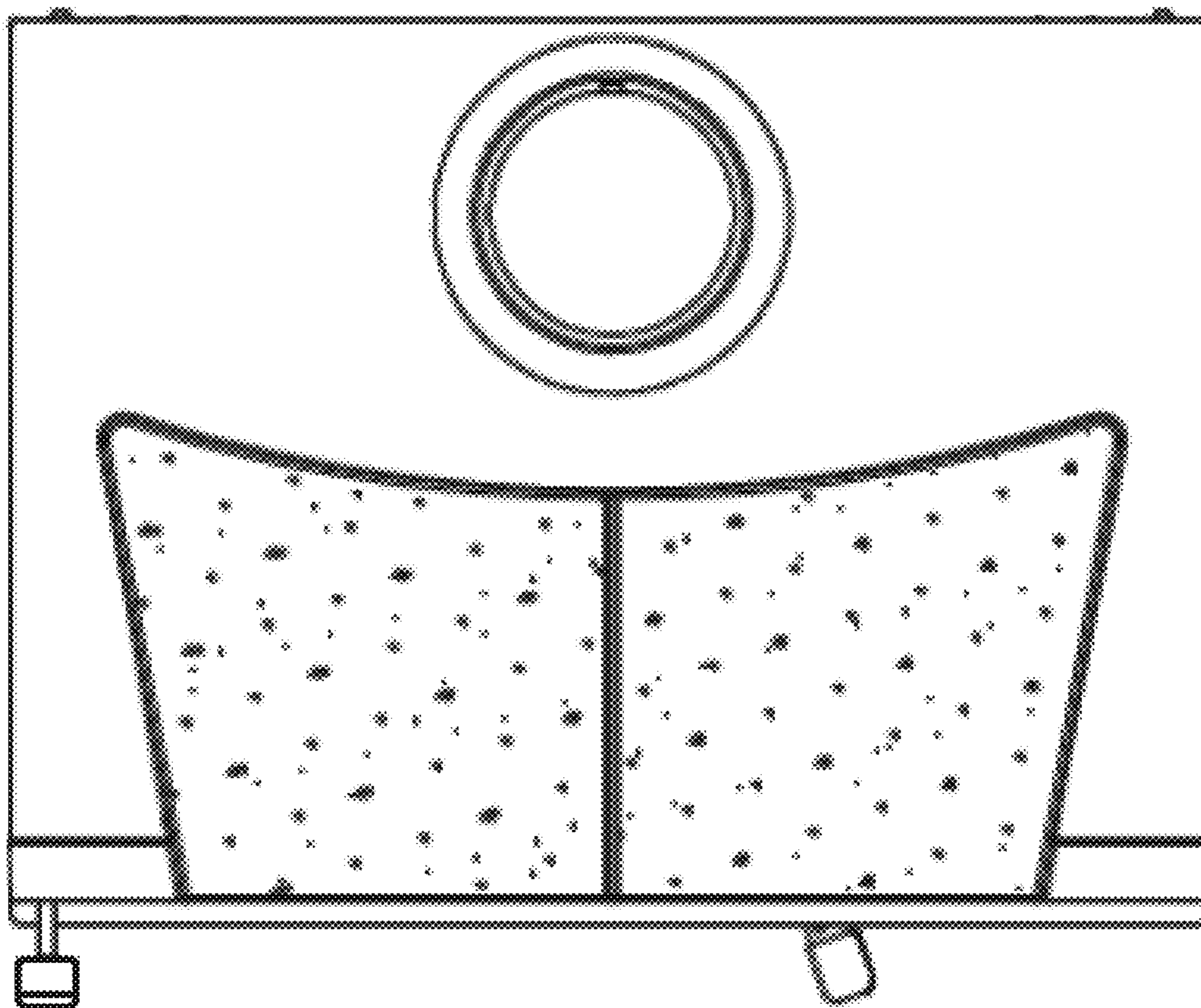
(57) **CLAIM**

The ornamental design for a wood burning stove with inlay, as shown and described.

DESCRIPTION

FIG. 1 is a top view of the wood burning stove with inlay; FIG. 2 is a left side perspective view of the wood burning stove with inlay; FIG. 3 is a front view of the wood burning stove with inlay; and, FIG. 4 is a left side view of the wood burning stove with inlay.

1 Claim, 4 Drawing Sheets



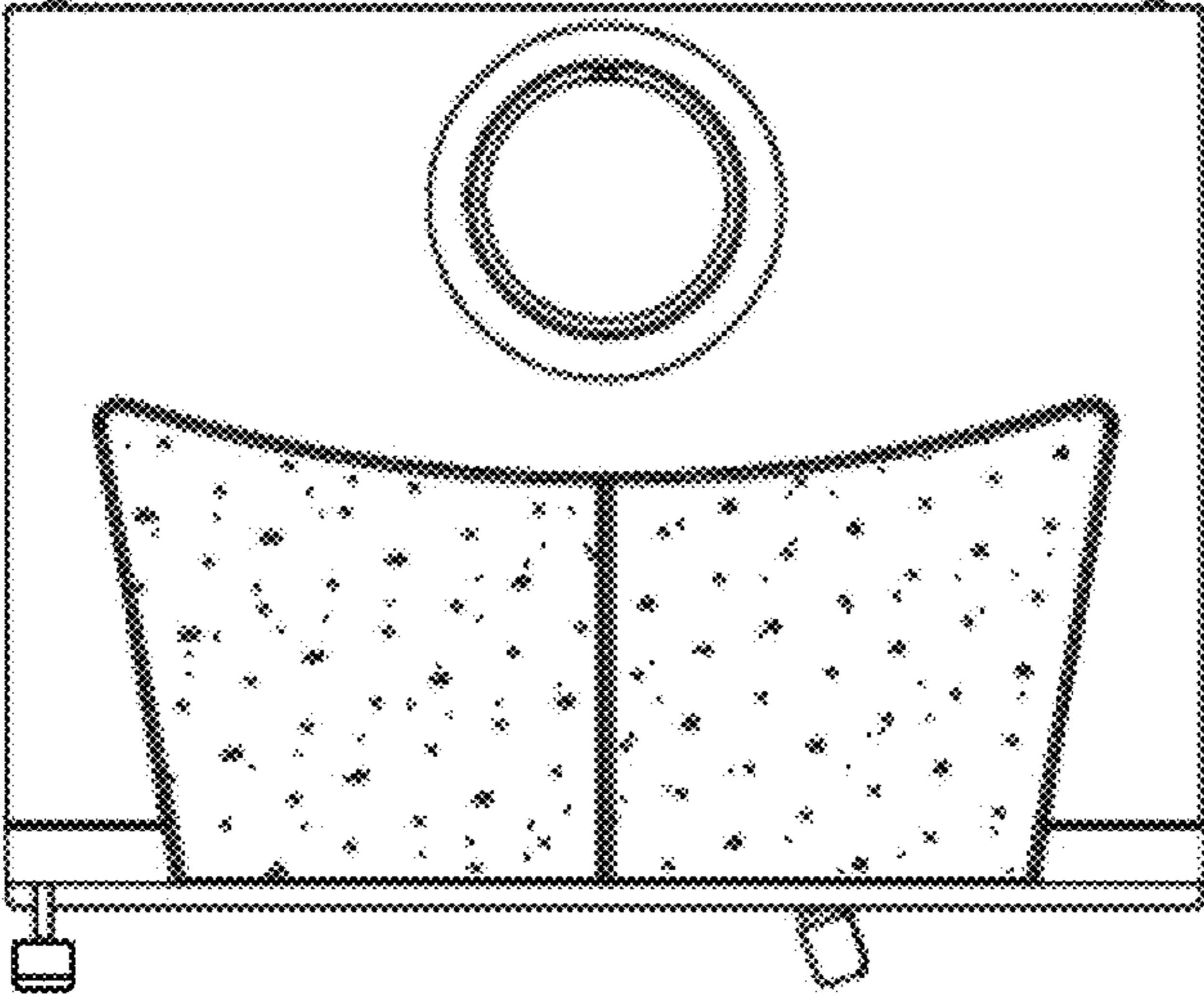


FIG. 1

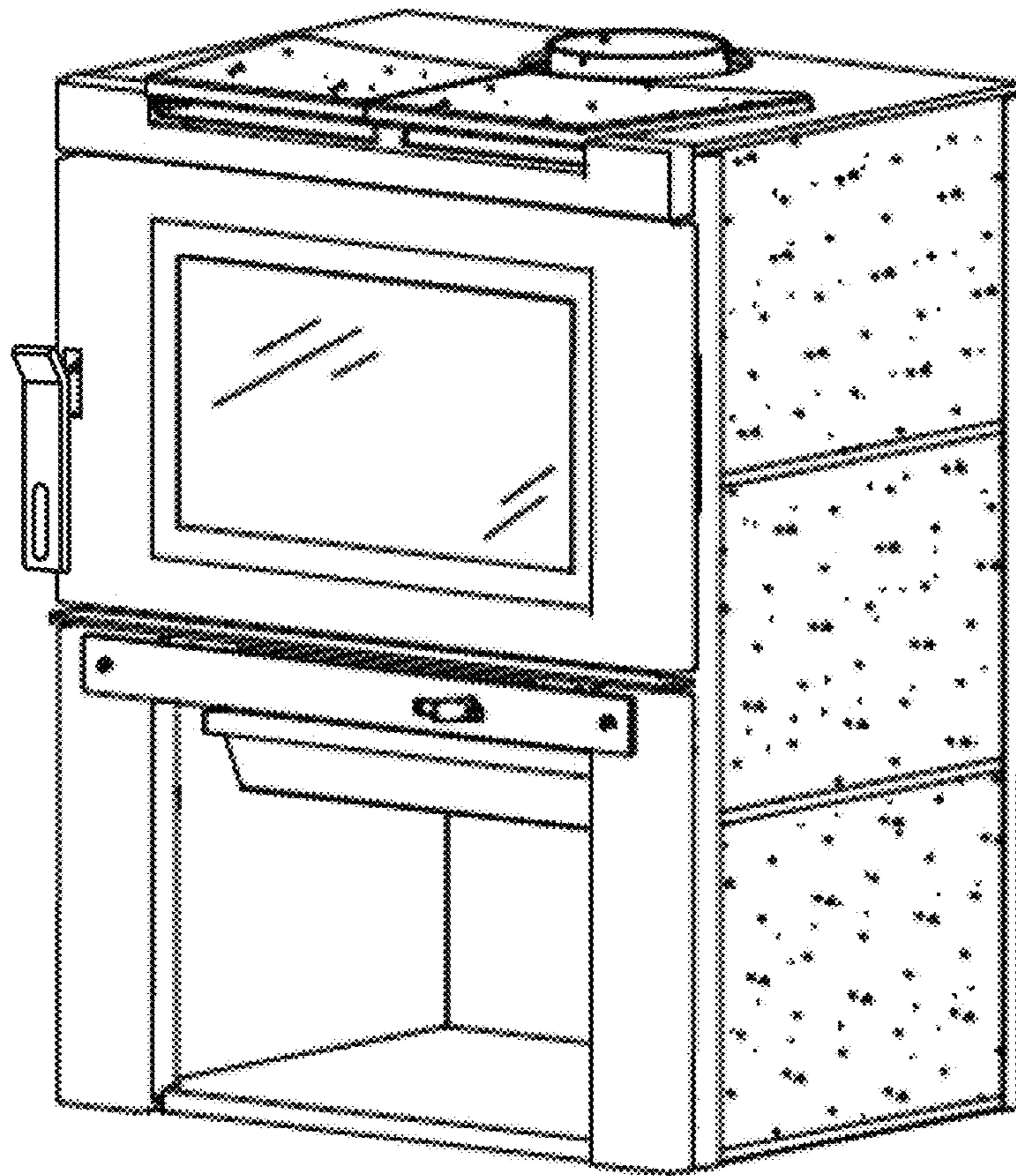


FIG. 2

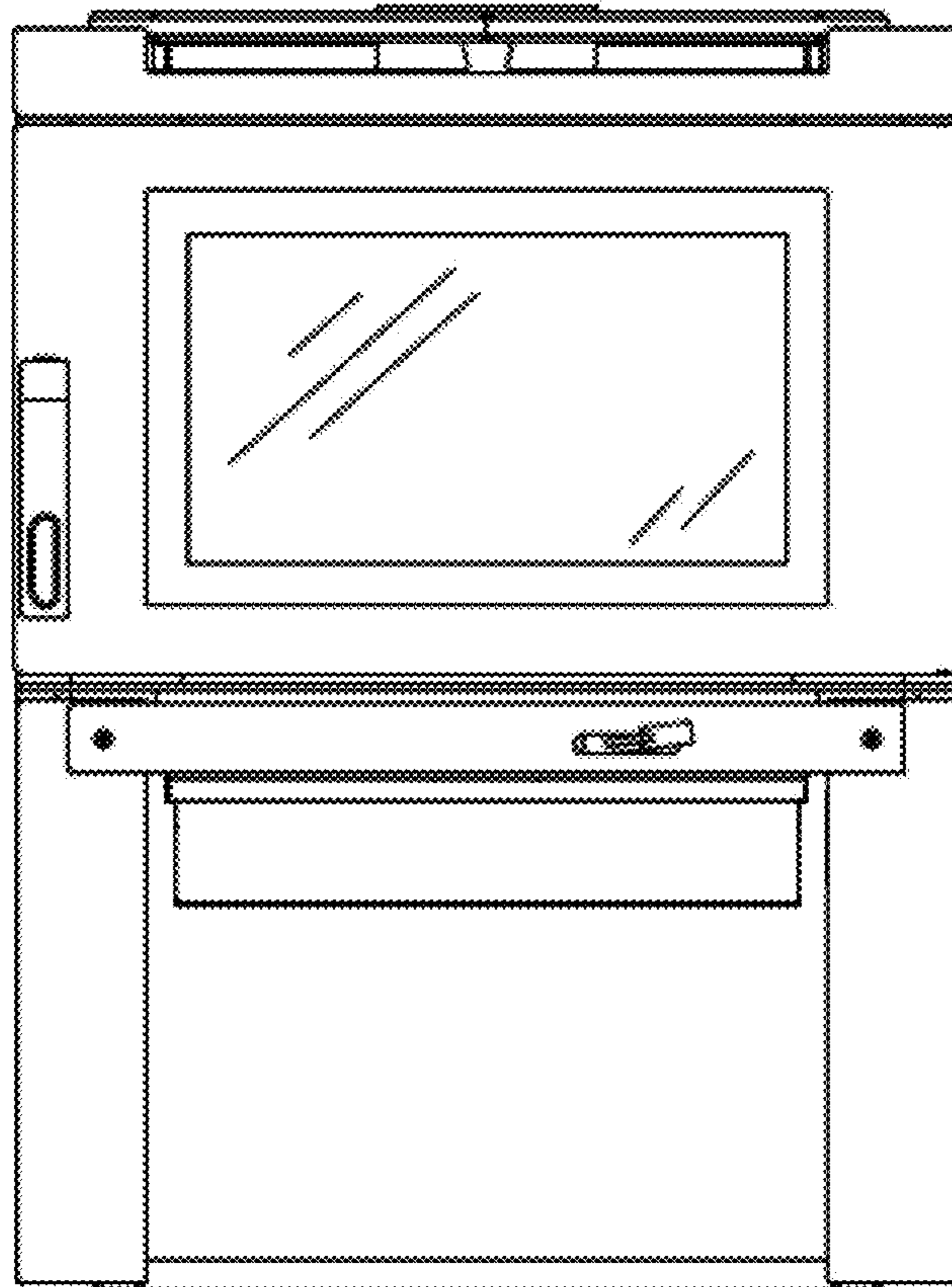


FIG. 3

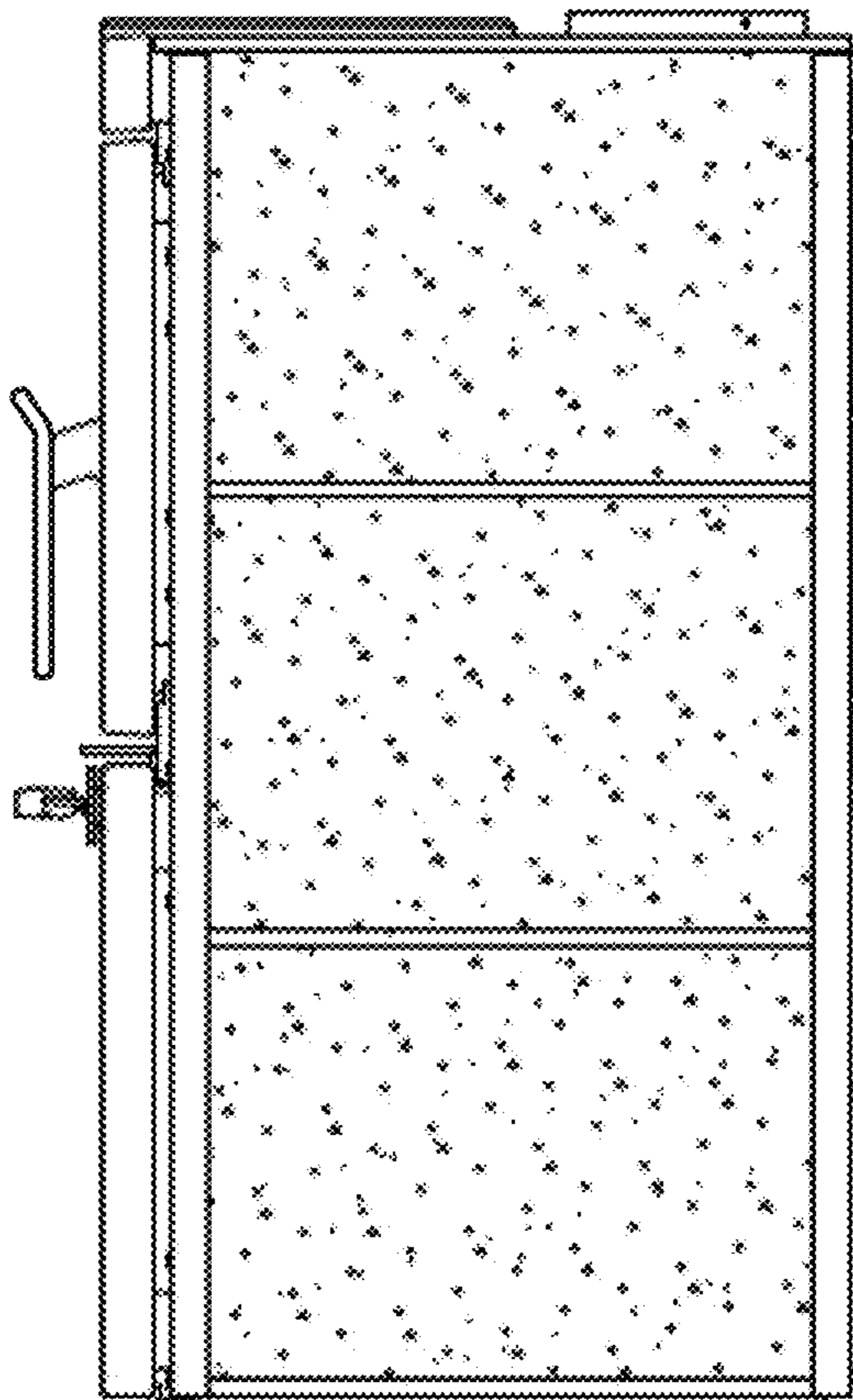


FIG. 4