



US00D690402S

(12) **United States Design Patent**
Bates et al.

(10) **Patent No.:** **US D690,402 S**

(45) **Date of Patent:** **** Sep. 24, 2013**

(54) **TOILET**

(71) Applicant: **Kohler Co.**, Kohler, WI (US)

(72) Inventors: **Michael R. Bates**, Kohler, WI (US);
Erich D. Slothower, Mill Valley, CA (US);
Benjamin B. Fullerton, Jr., Oconomowoc, WI (US)

(73) Assignee: **Kohler Co.**, Kohler, WI (US)

(**) Term: **14 Years**

(21) Appl. No.: **29/433,796**

(22) Filed: **Oct. 4, 2012**

(51) **LOC (9) Cl.** **23-02**

(52) **U.S. Cl.**
USPC **D23/301**

(58) **Field of Classification Search**
USPC D23/295, 301, 303, 313, 309; 4/300,
4/353, 420
See application file for complete search history.

(56) **References Cited**

U.S. PATENT DOCUMENTS

D311,242 S	10/1990	Reid	
D346,854 S	5/1994	Reid	
D390,934 S	2/1998	McKeone	
D440,643 S *	4/2001	McKeone	D23/313
D491,651 S *	6/2004	Bates	D23/313
D496,443 S	9/2004	Bates	
D532,875 S	11/2006	Kaule	
D558,863 S *	1/2008	Taguchi	D23/295
D601,233 S *	9/2009	Kergoet	D23/301
D637,702 S	5/2011	Rexach	
D648,840 S *	11/2011	Corpuz et al.	D23/313

* cited by examiner

Primary Examiner — Robert Delehanty

(74) *Attorney, Agent, or Firm* — Foley & Lardner LLP

(57) **CLAIM**

We claim the ornamental design for a toilet, as shown and described.

DESCRIPTION

FIG. 1 is a top perspective view of an embodiment of the claimed design;

FIG. 2 is a first side elevation view of the claimed design of FIG. 1;

FIG. 3 is a second side elevation view of the claimed design of FIG. 1;

FIG. 4 is a top plan view of the claimed design of FIG. 1;

FIG. 5 is a front elevation view of the claimed design of FIG. 1;

FIG. 6 is a rear elevation view of the claimed design of FIG. 1;

FIG. 7 is a top perspective view of another embodiment of the claimed design;

FIG. 8 is a first side elevation view of the claimed design of FIG. 7;

FIG. 9 is a second side elevation view of the claimed design of FIG. 7;

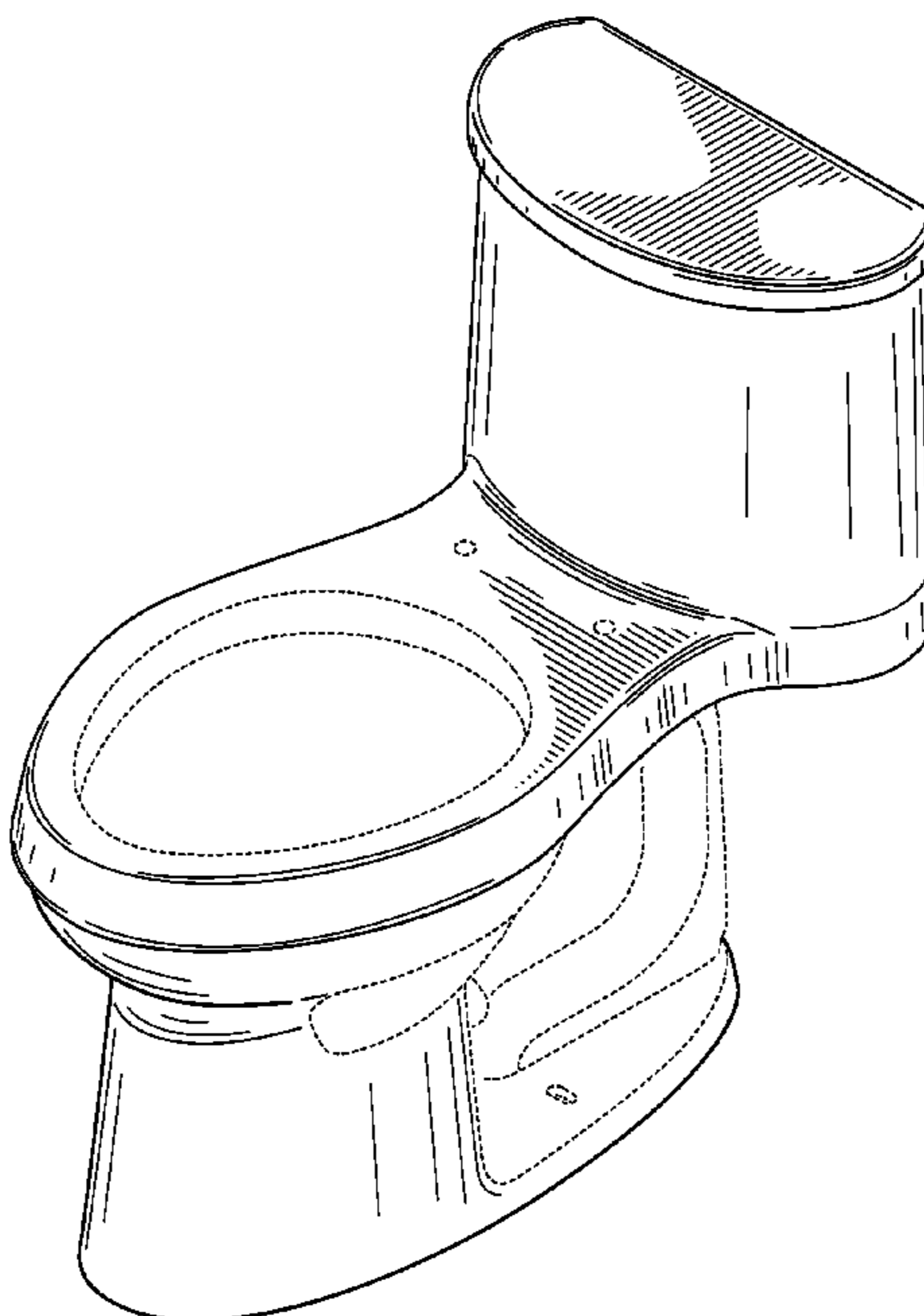
FIG. 10 is a top plan view of the claimed design of FIG. 7;

FIG. 11 is a front elevation view of the claimed design of FIG. 7; and,

FIG. 12 is a rear elevation view of the claimed design of FIG. 7.

The ornamental design which is claimed is shown in solid lines in the drawings. The broken lines in the drawings are for illustrative purposes only and form no part of the claimed design. The dot-dash lines in the drawings define boundaries of the claimed design and form no part thereof.

1 Claim, 12 Drawing Sheets



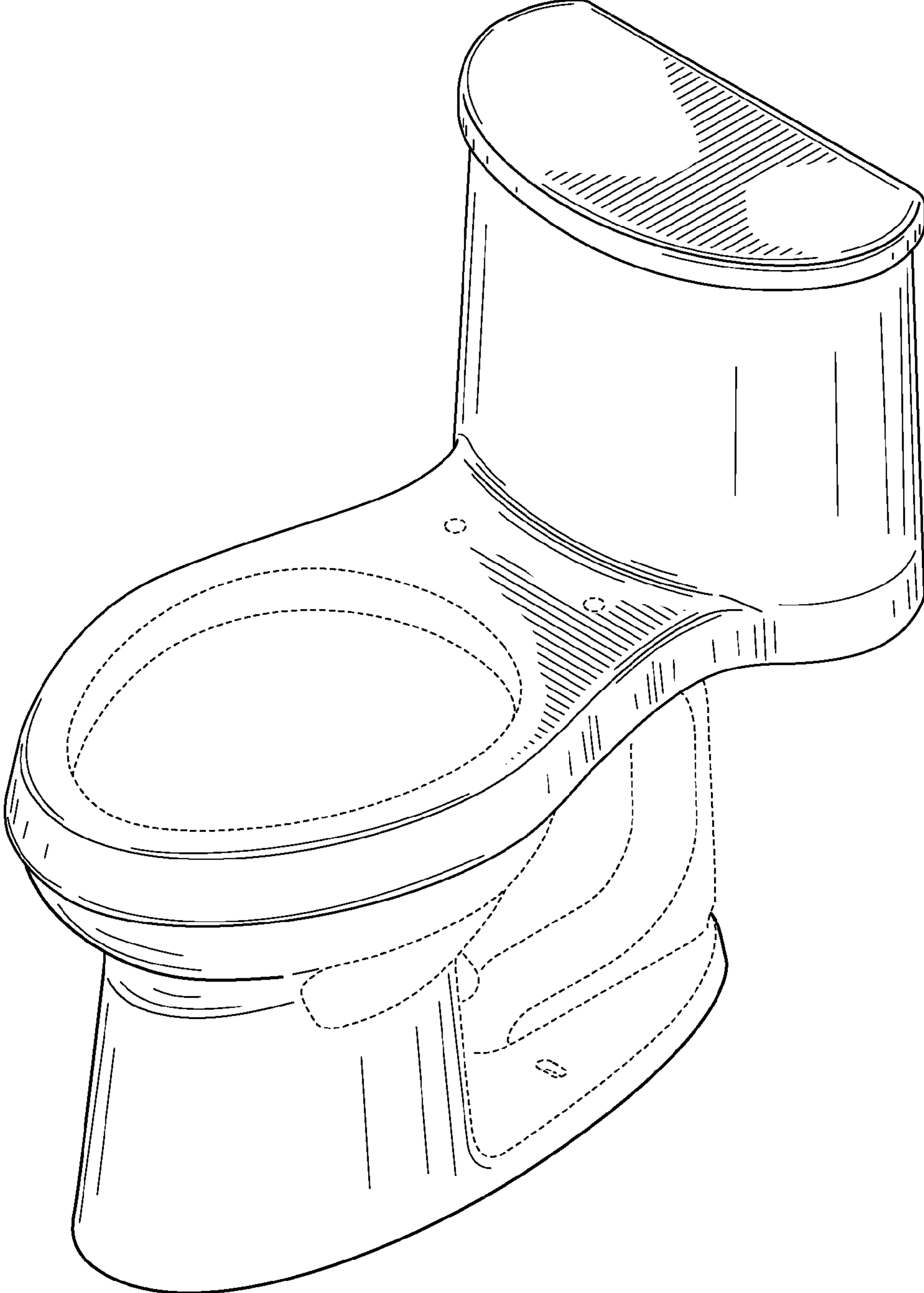


FIG. 1

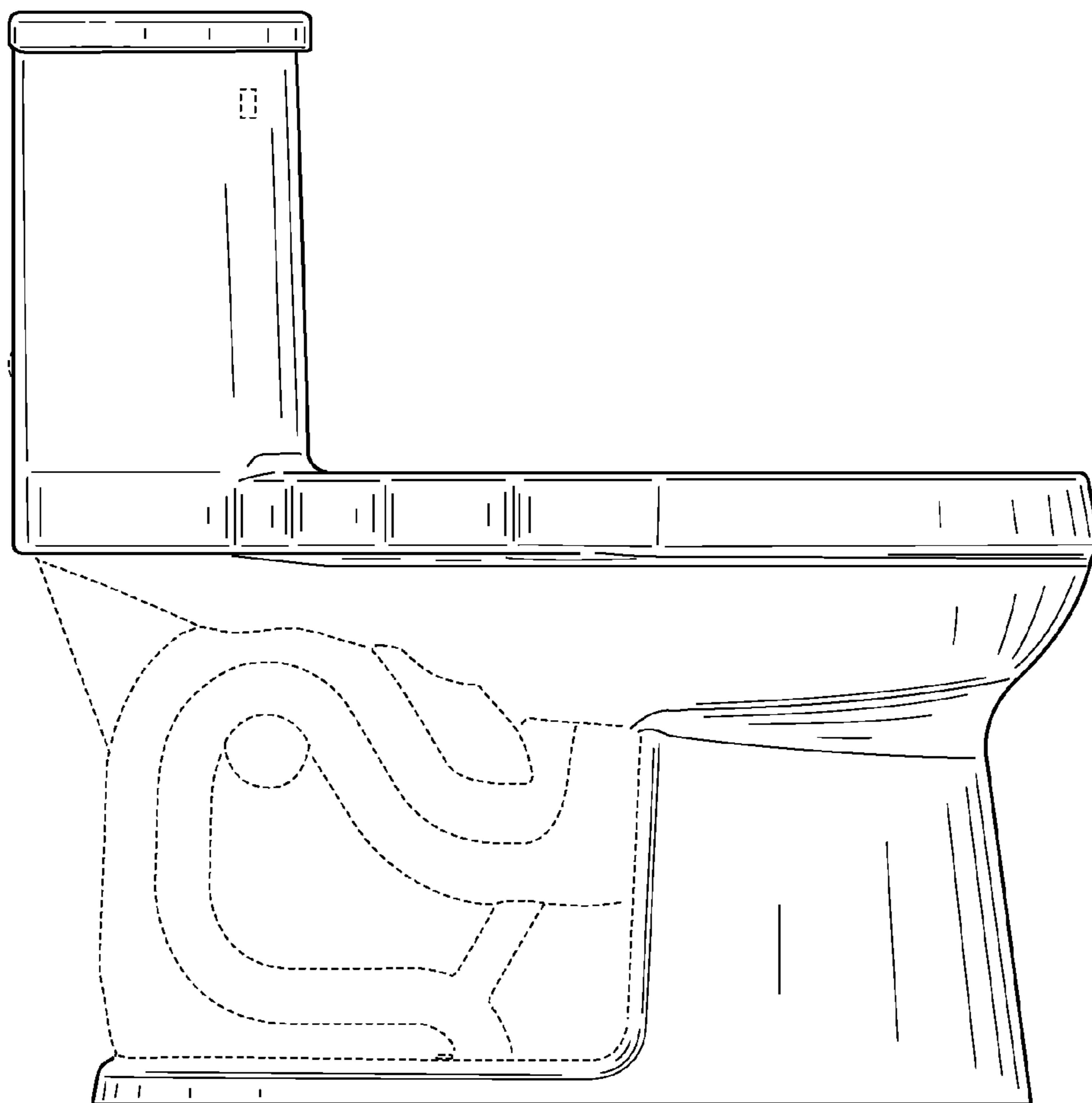


FIG. 2

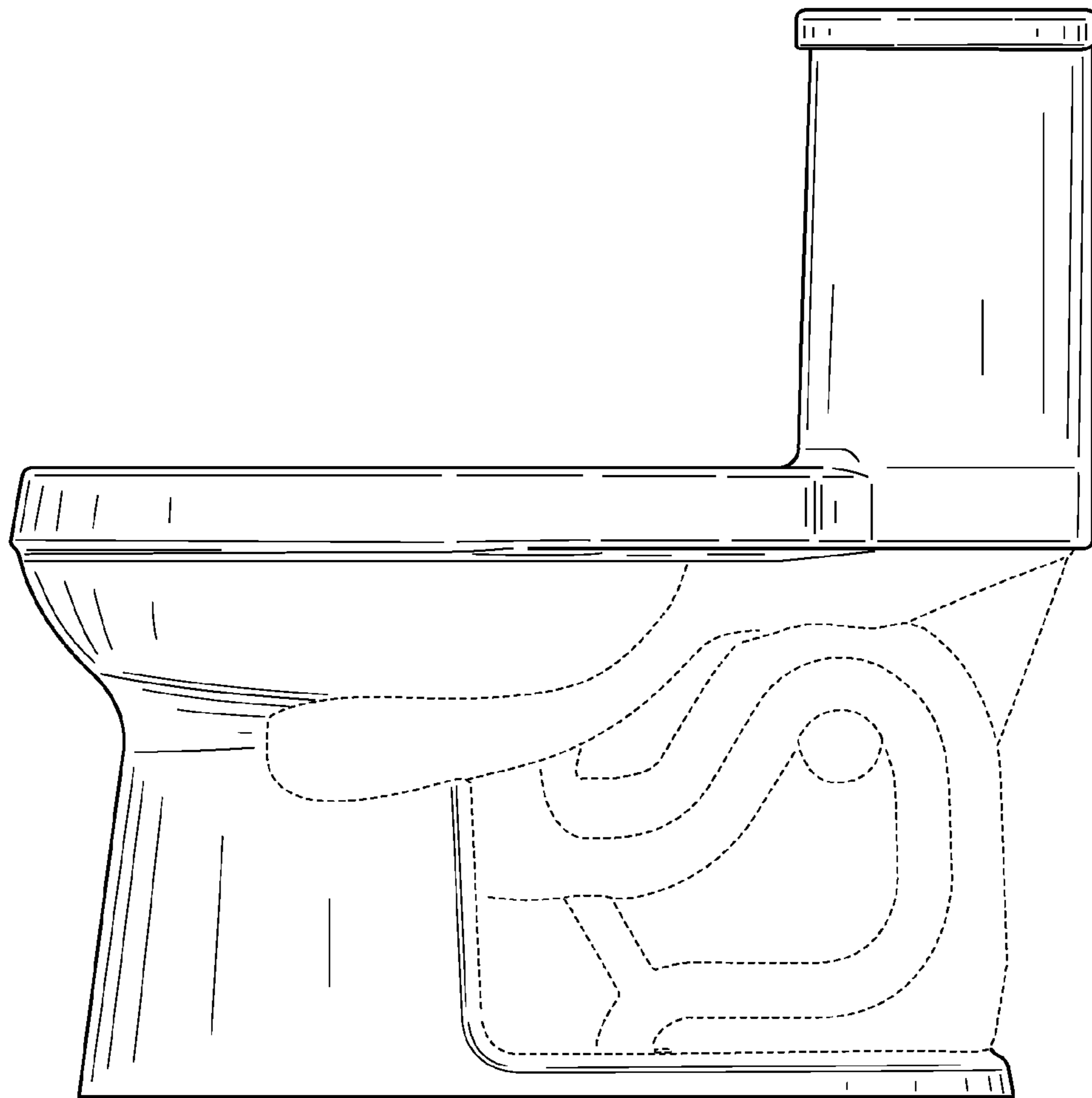


FIG. 3

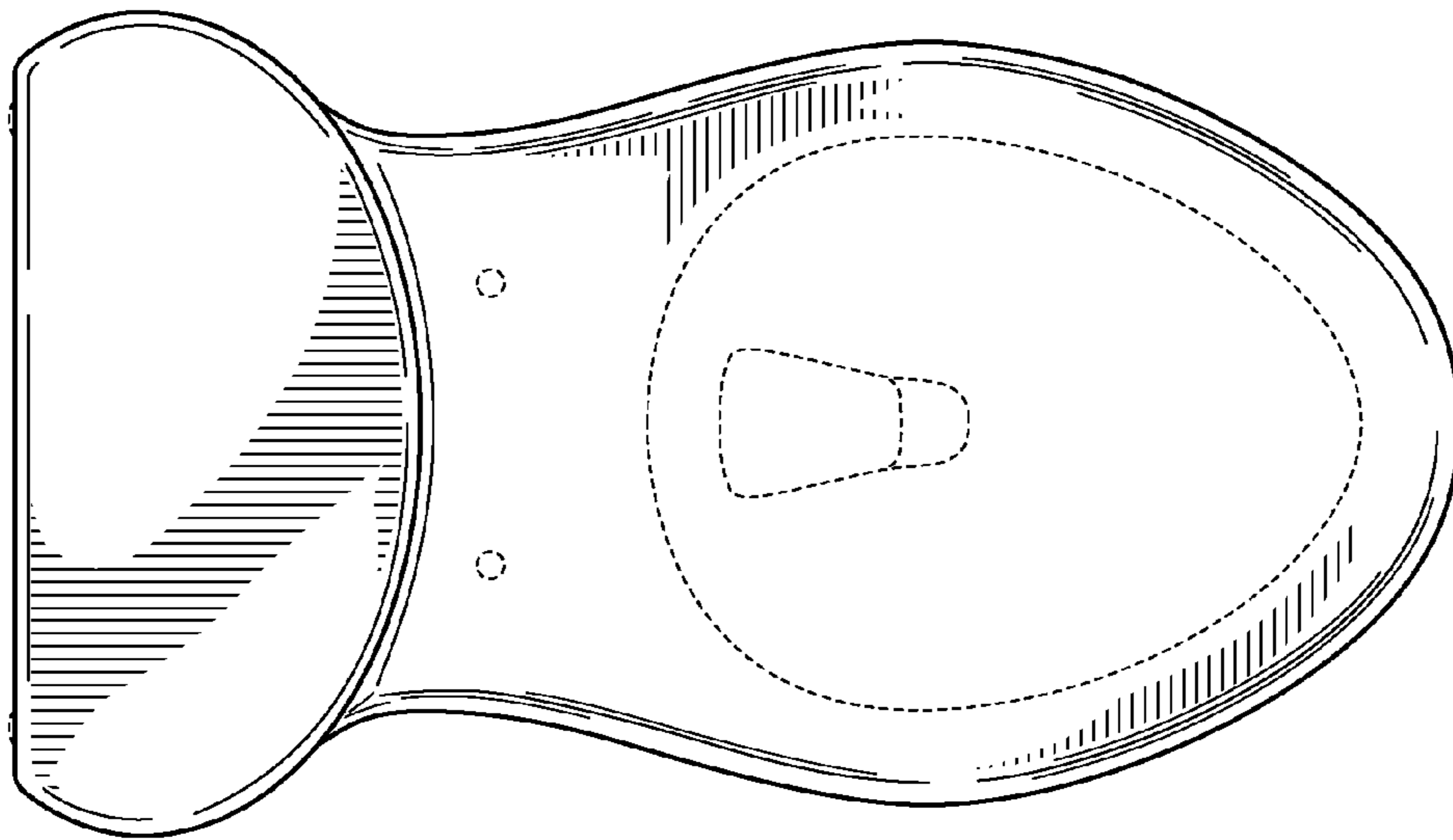


FIG. 4

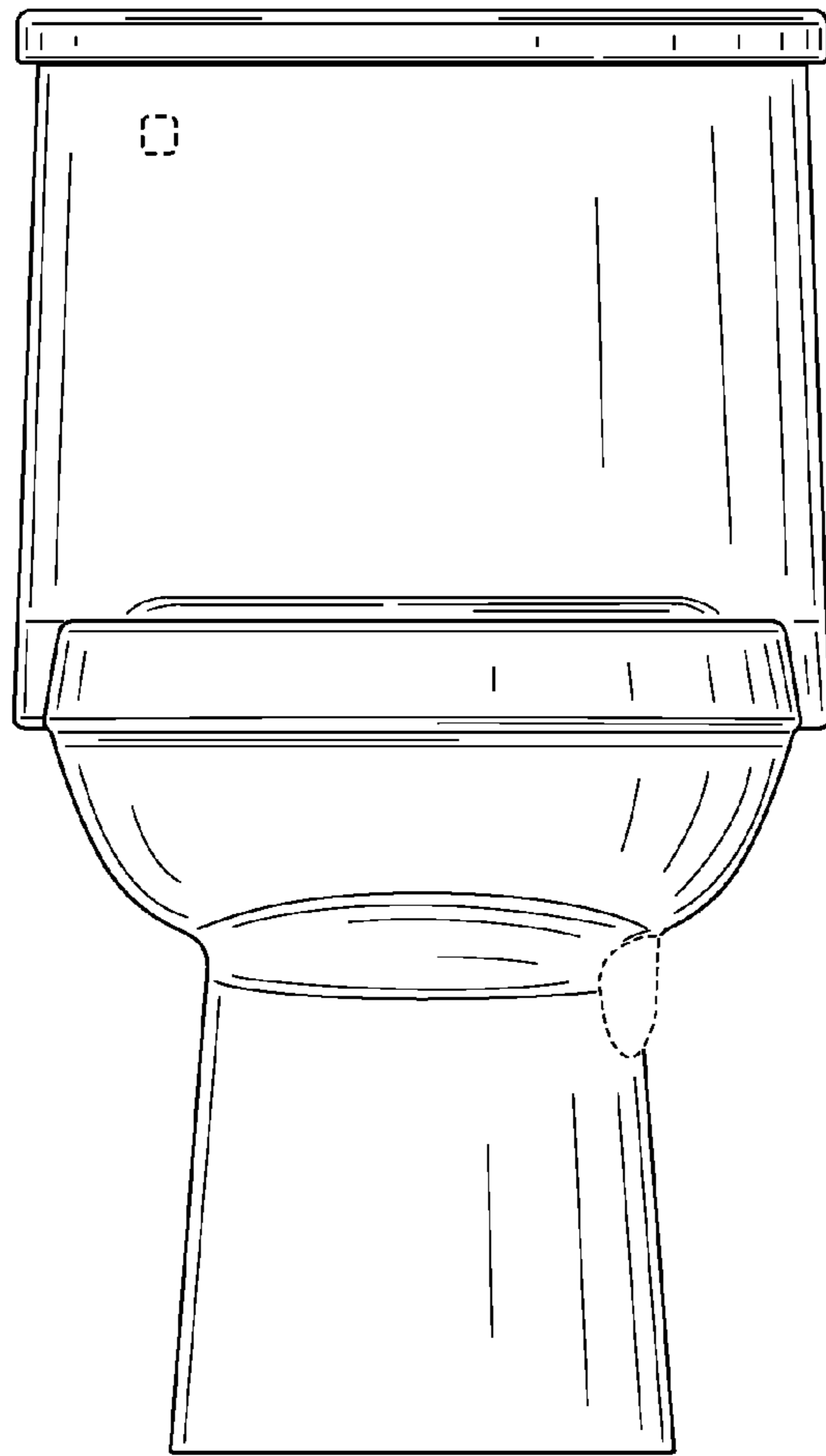


FIG. 5

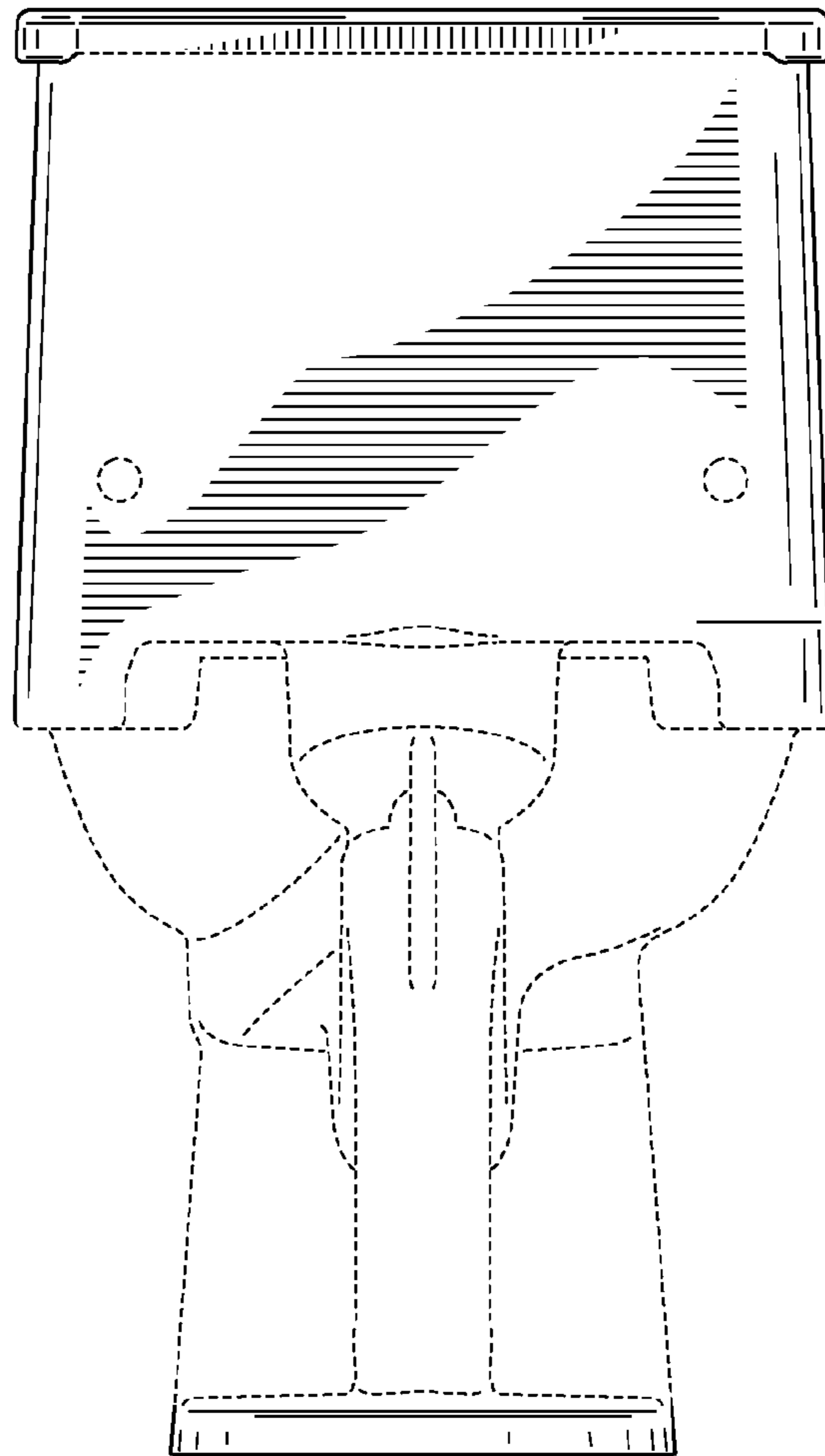


FIG. 6

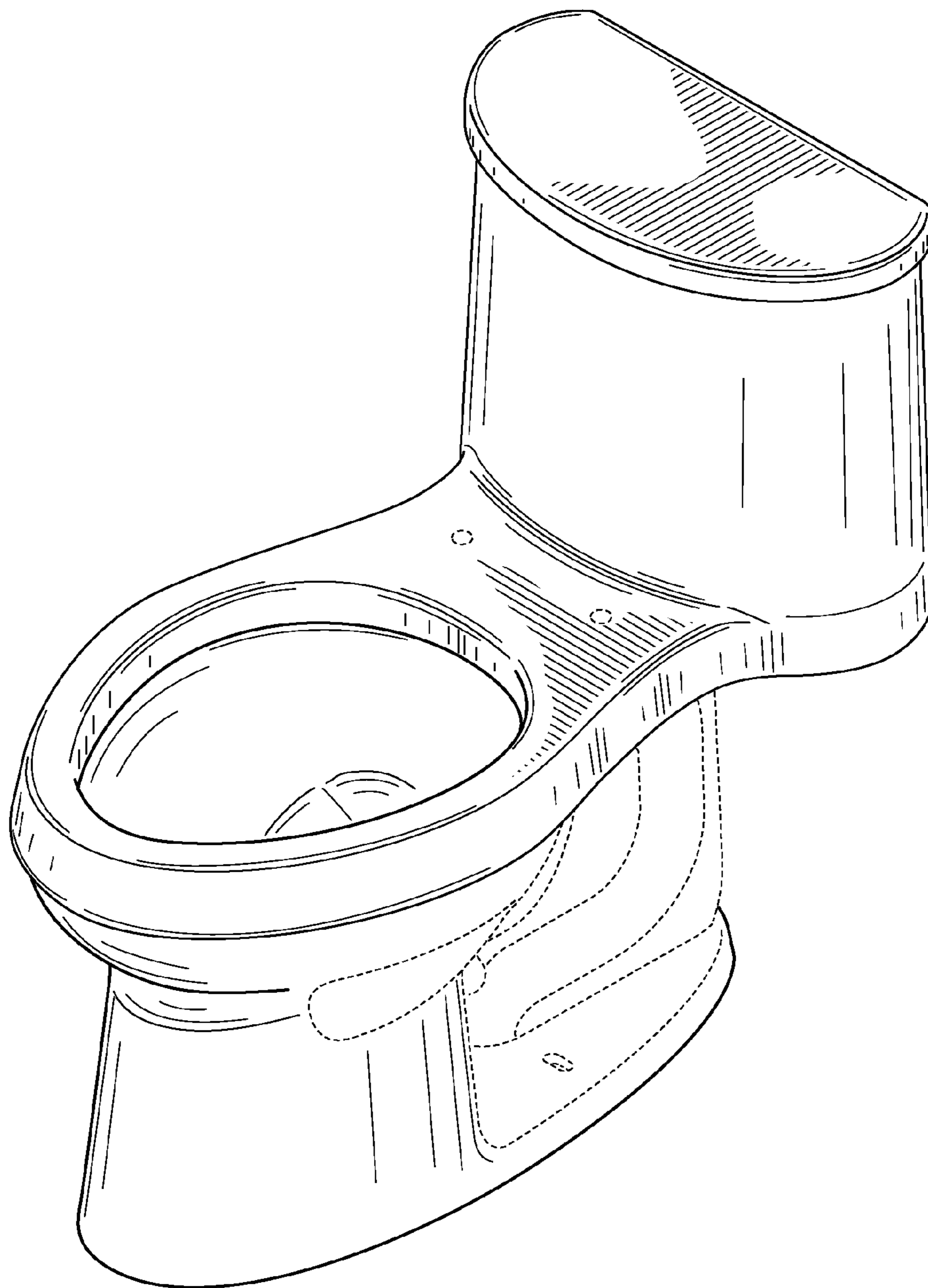


FIG. 7

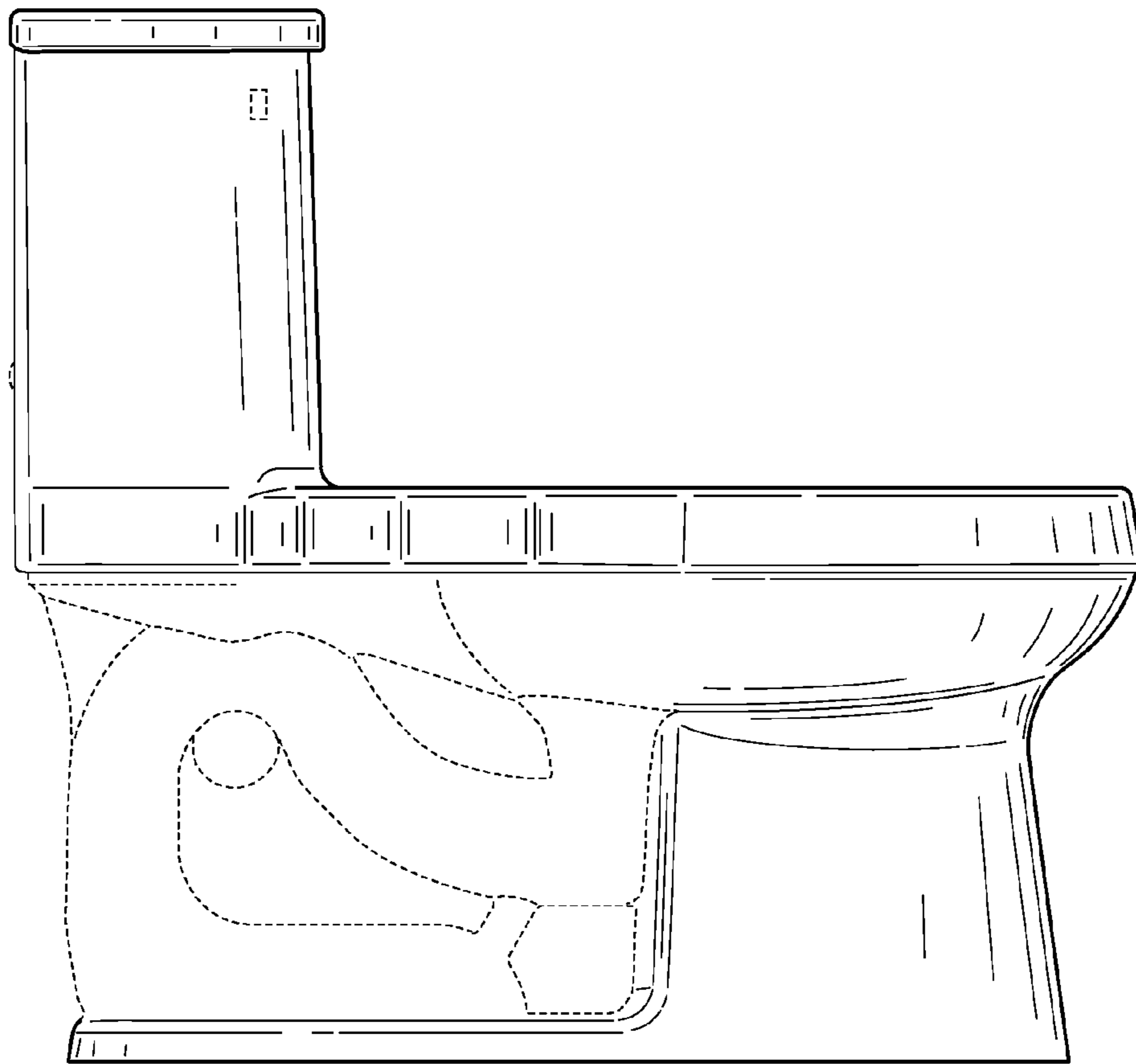


FIG. 8

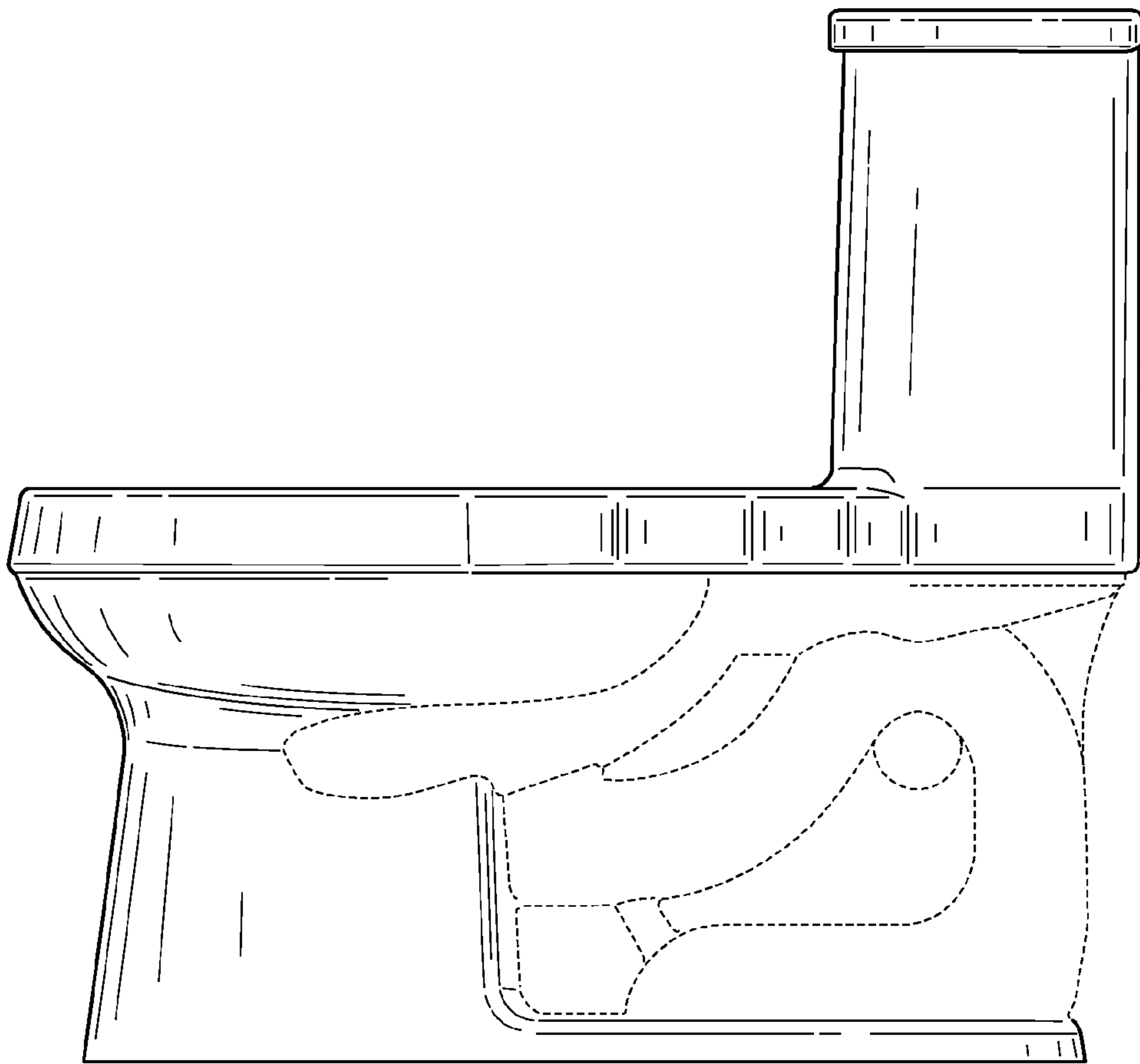


FIG. 9

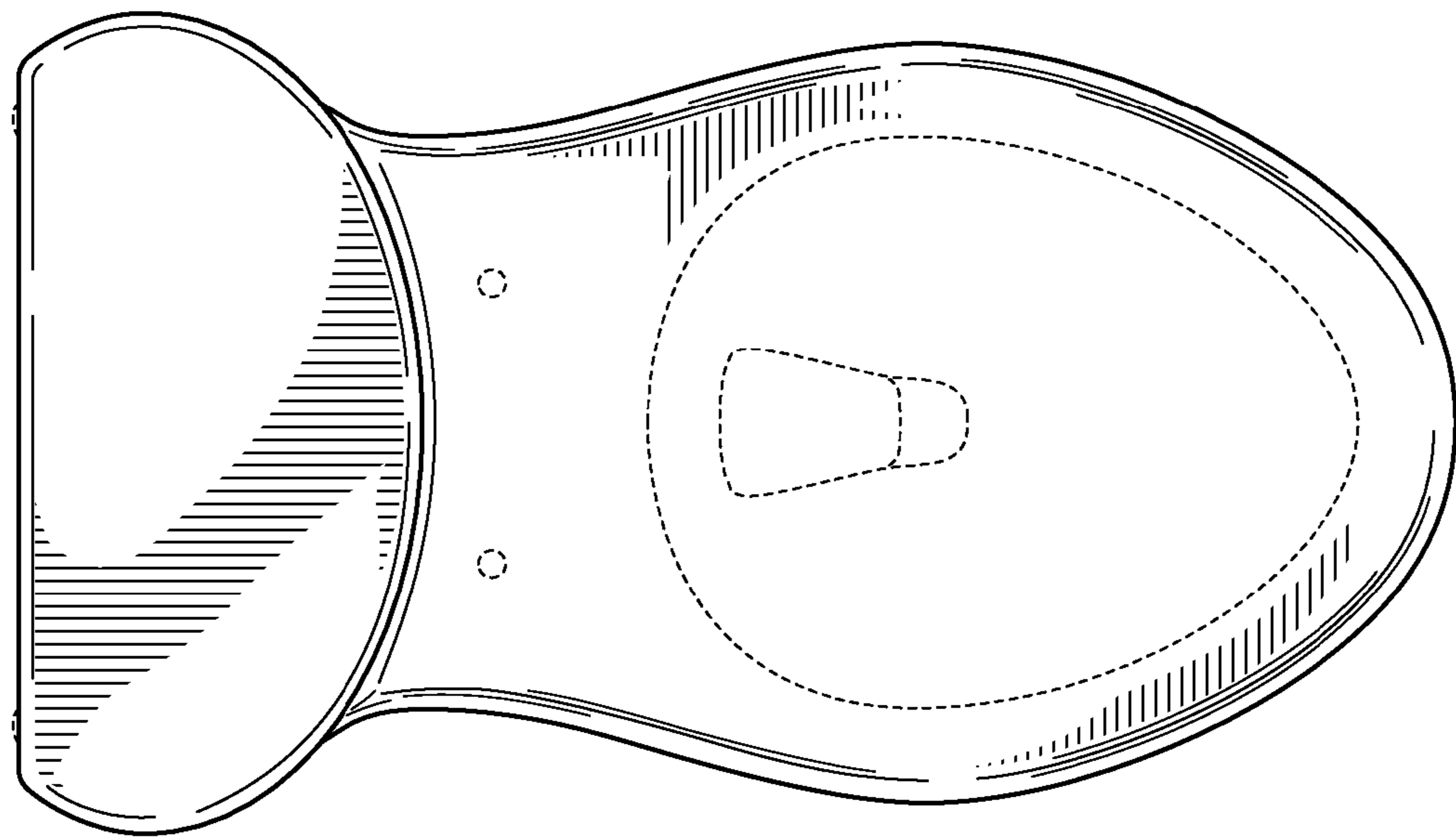


FIG. 10

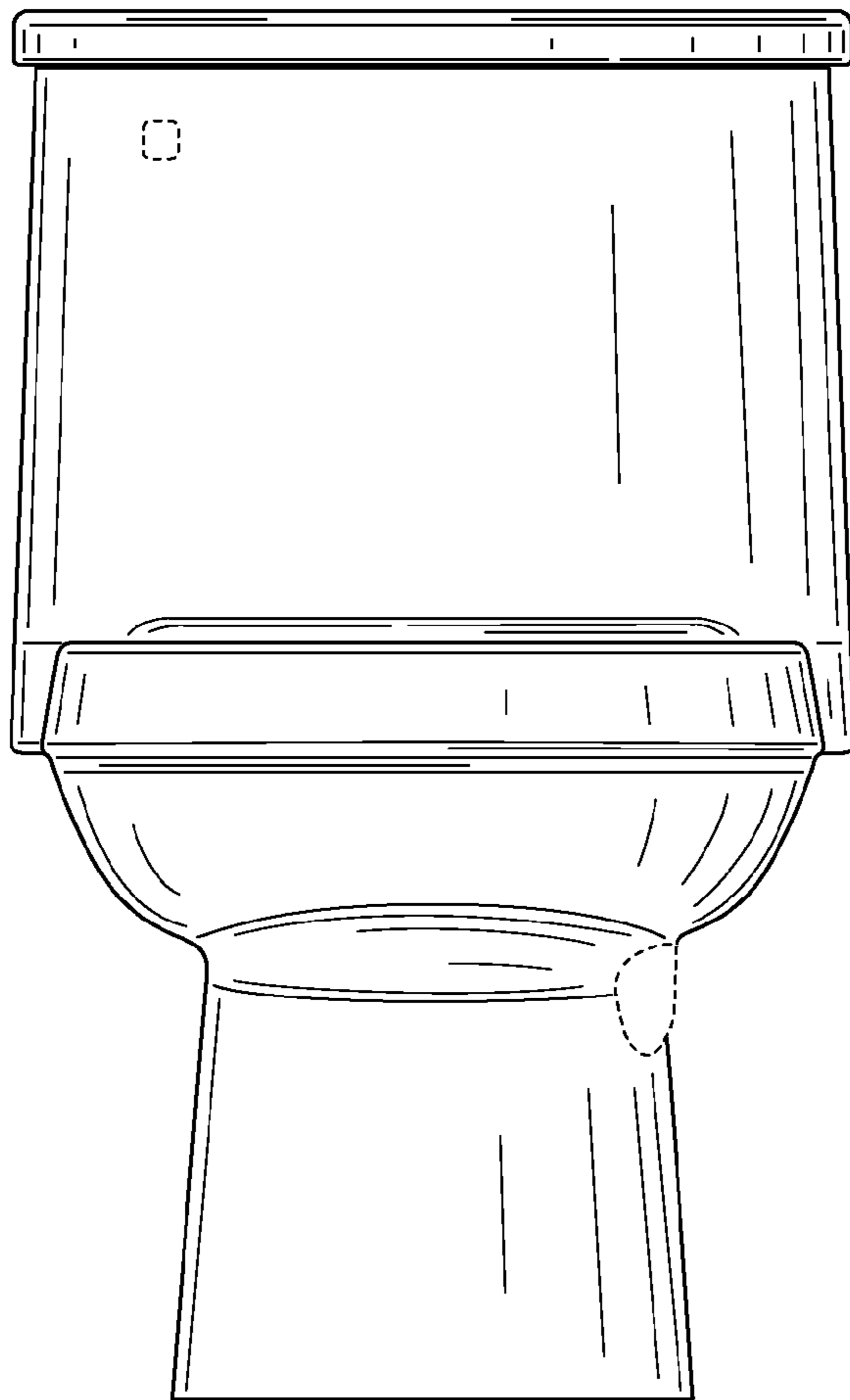


FIG. 11

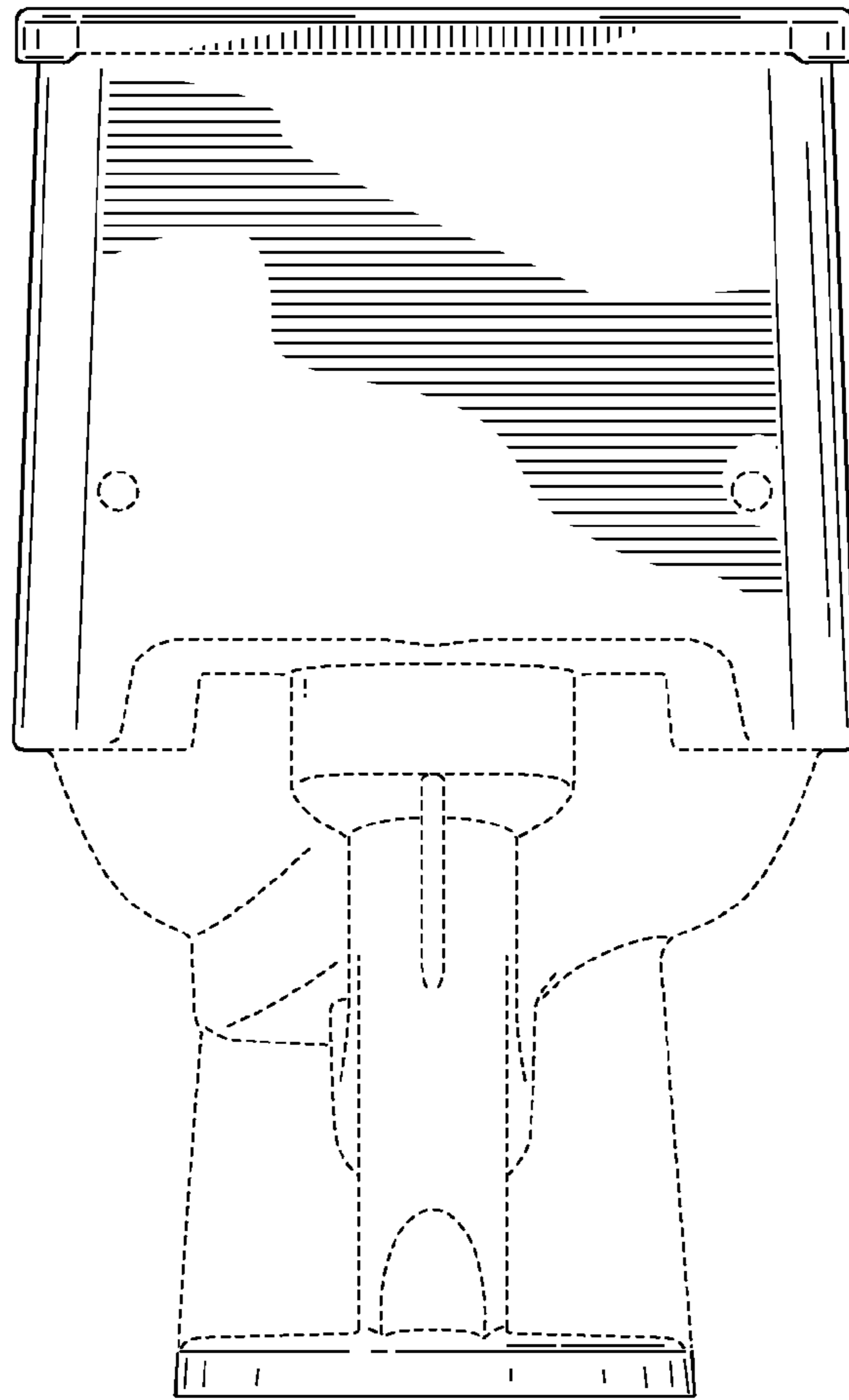


FIG. 12