



US00D690398S

(12) **United States Design Patent**
Flowers et al.

(10) **Patent No.:** **US D690,398 S**

(45) **Date of Patent:** **** Sep. 24, 2013**

(54) **SPOUT**

(71) Applicant: **Grohe AG**, Hemer (DE)

(72) Inventors: **Paul Flowers**, Duesseldorf (DE);
Antonie Besseyre Des Horts,
Duesseldorf (DE)

(73) Assignee: **Grohe AG**, Hemer (DE)

(**) Term: **14 Years**

(21) Appl. No.: **29/432,932**

(22) Filed: **Sep. 24, 2012**

(30) **Foreign Application Priority Data**

Mar. 22, 2012 (EM) 002013425-0015

(51) **LOC (9) Cl.** **23-01**

(52) **U.S. Cl.**
USPC **D23/255**

(58) **Field of Classification Search**
USPC D23/238-242, 255, 257; 4/675-678;
137/801

See application file for complete search history.

(56) **References Cited**

U.S. PATENT DOCUMENTS

D520,607	S	*	5/2006	Koury et al.	D23/255
D567,912	S	*	4/2008	Juratovac et al.	D23/255
D580,022	S	*	11/2008	Gilbert	D23/255
D581,498	S	*	11/2008	Dolan	D23/255
D592,286	S	*	5/2009	Berberet	D23/255
D604,808	S	*	11/2009	Williams	D23/255
D645,123	S	*	9/2011	Corbett	D23/255

* cited by examiner

Primary Examiner — Robert Delehanty

(74) *Attorney, Agent, or Firm* — Muncy, Geissler, Olds & Lowe, PLLC

(57) **CLAIM**

The ornamental design for a spout, as shown and described.

DESCRIPTION

FIG. 1 is a left side elevational view of a spout of the present invention;

FIG. 2 is a right side elevational view of the spout of FIG. 1;

FIG. 3 is a front elevational view of the spout of FIG. 1;

FIG. 4 is a rear elevational view of the spout of FIG. 1;

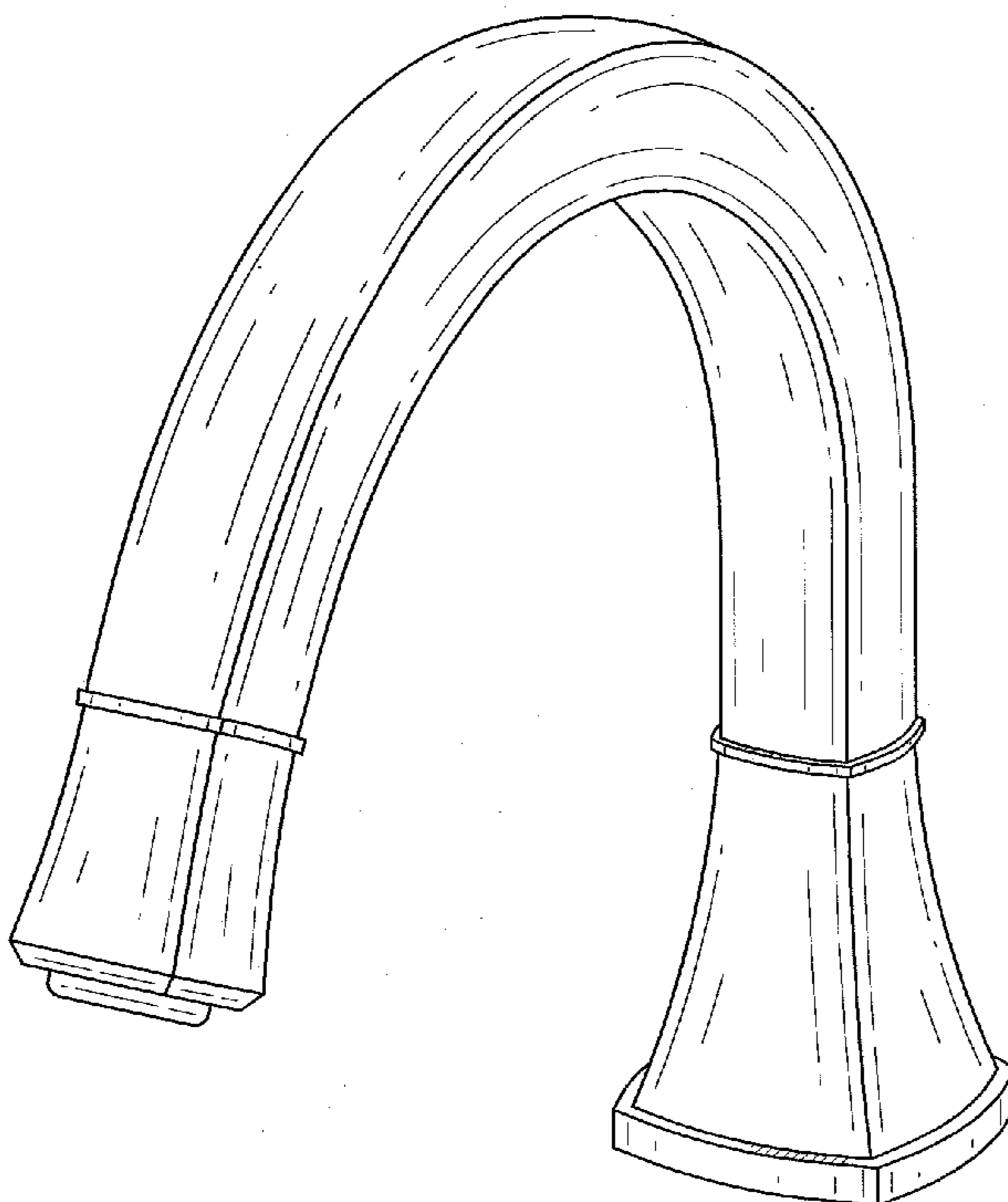
FIG. 5 is a top plan view of the spout of FIG. 1;

FIG. 6 is a bottom plan view of the spout of FIG. 1; and,

FIG. 7 is a perspective view of the spout of FIG. 1.

The dashed lines illustrate environment that does not form a part of the present invention, and no claim is made to the material illustrated with dashed lines.

1 Claim, 7 Drawing Sheets



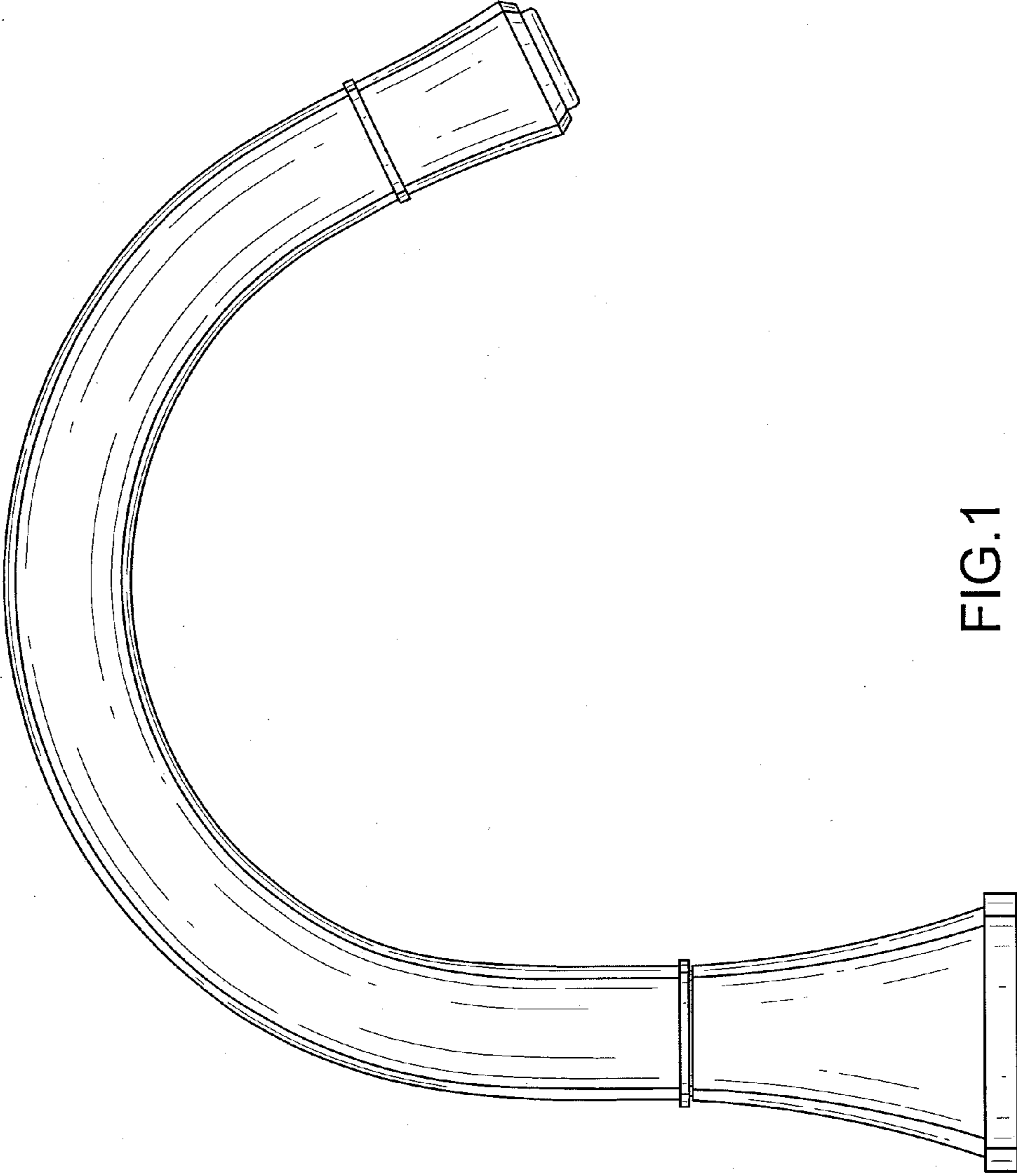


FIG.1

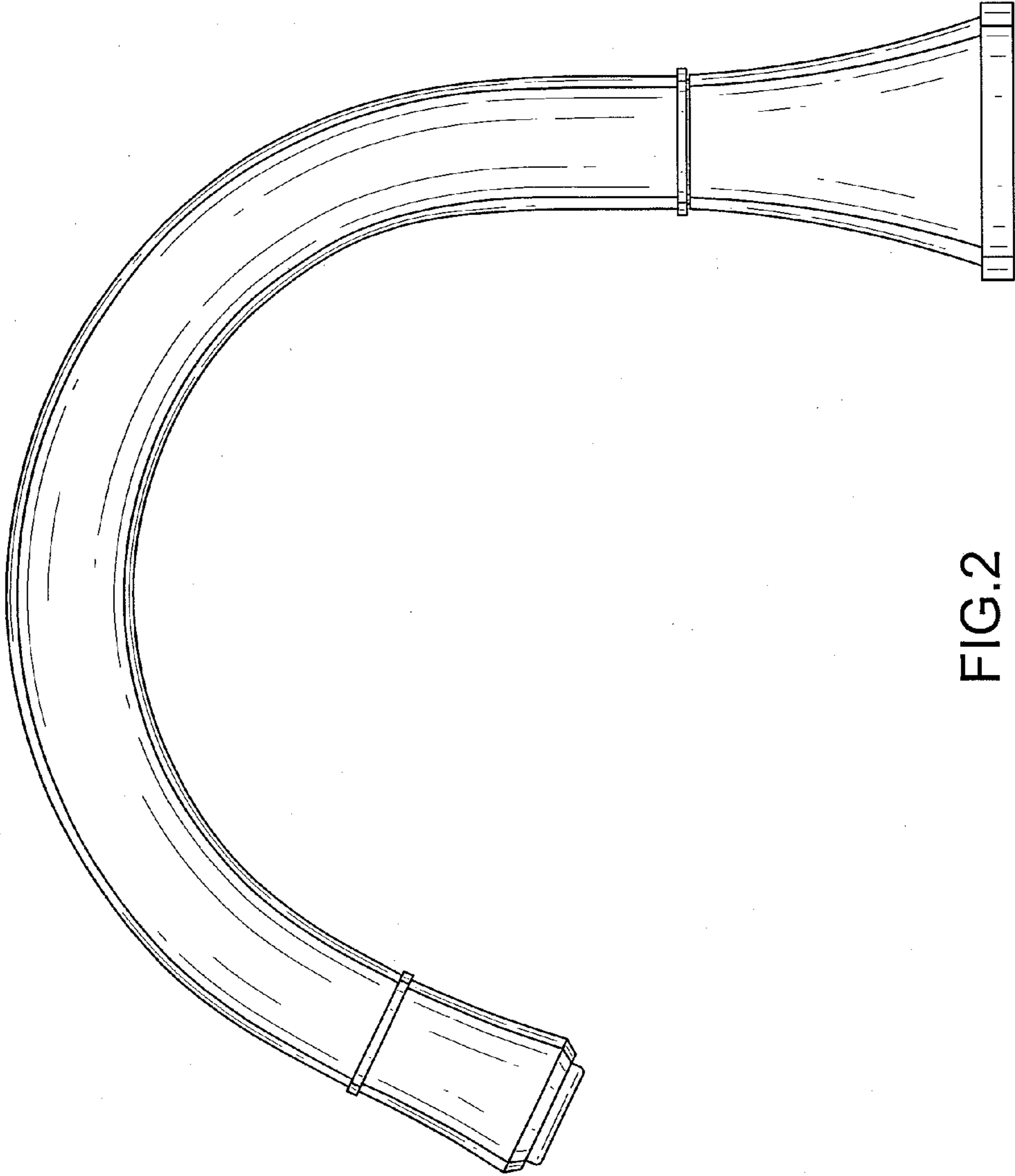


FIG. 2

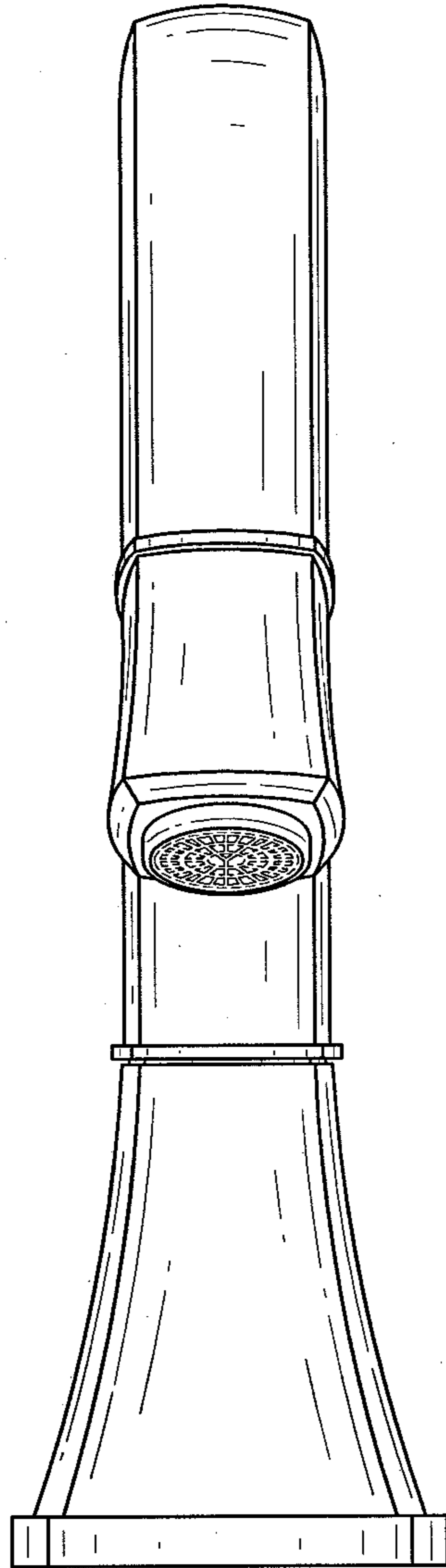


FIG.3

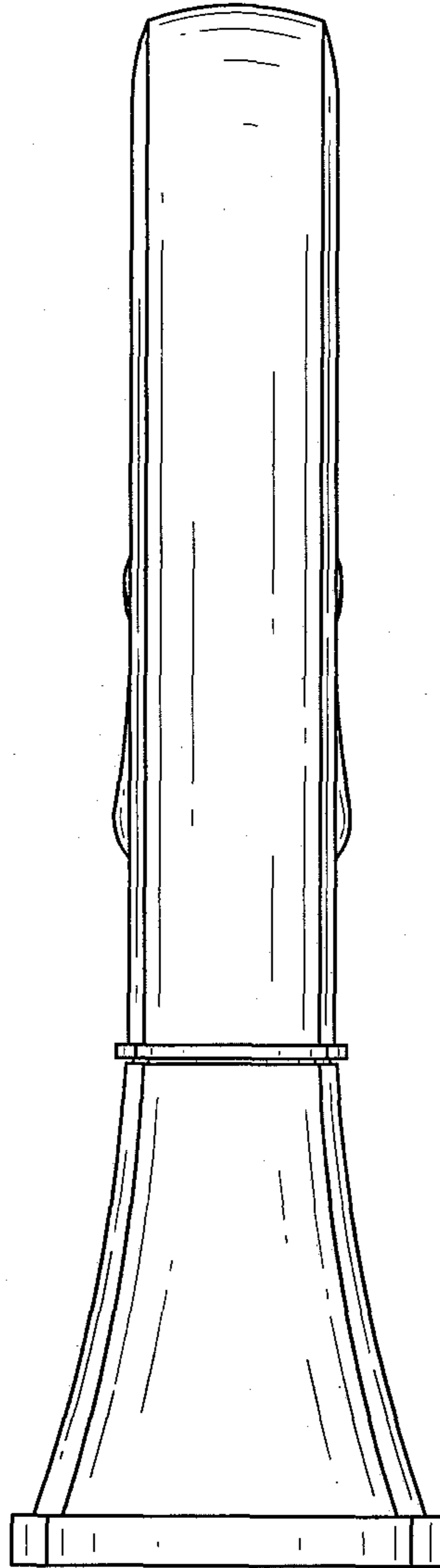


FIG.4

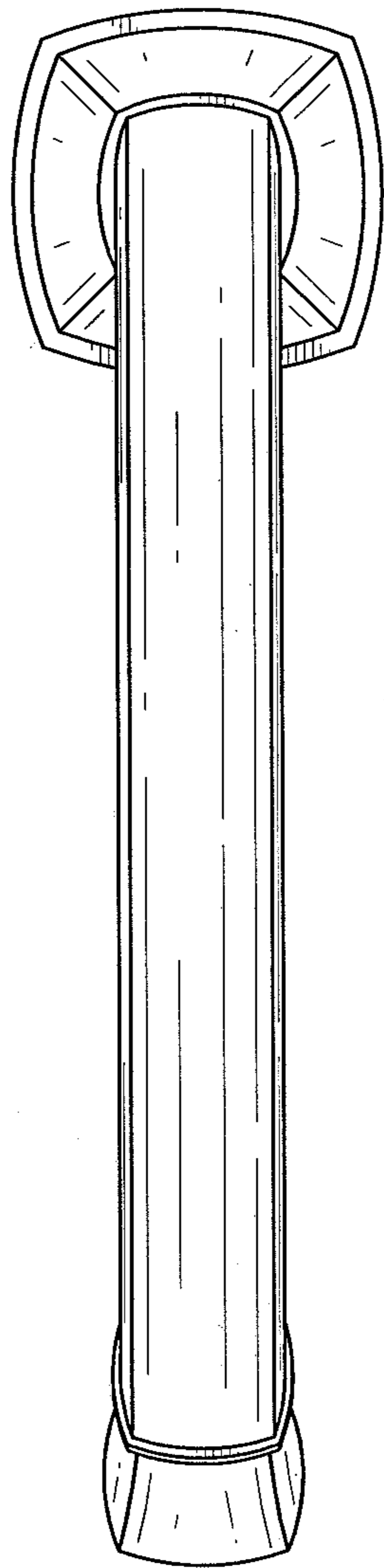


FIG.5

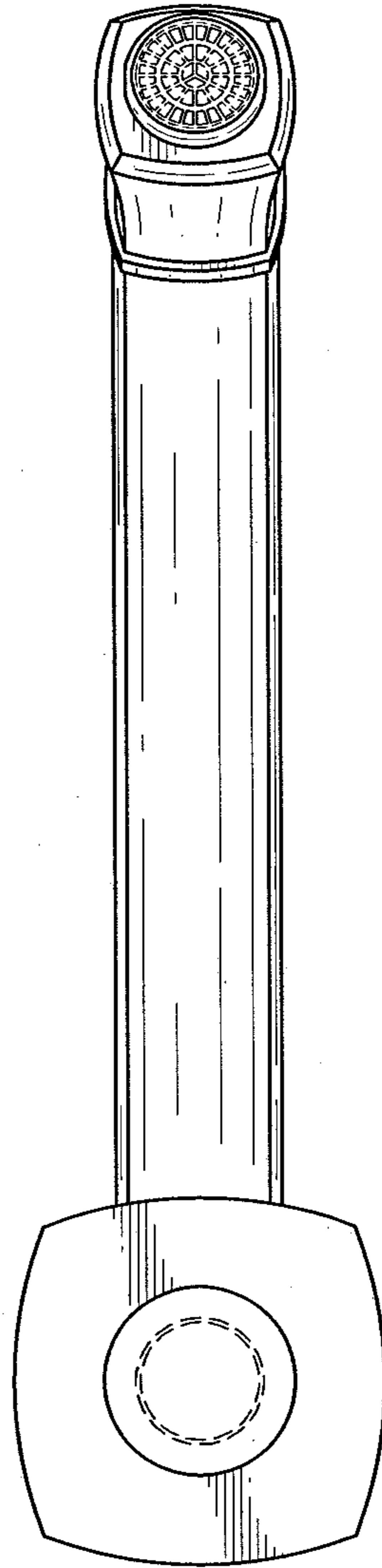


FIG.6

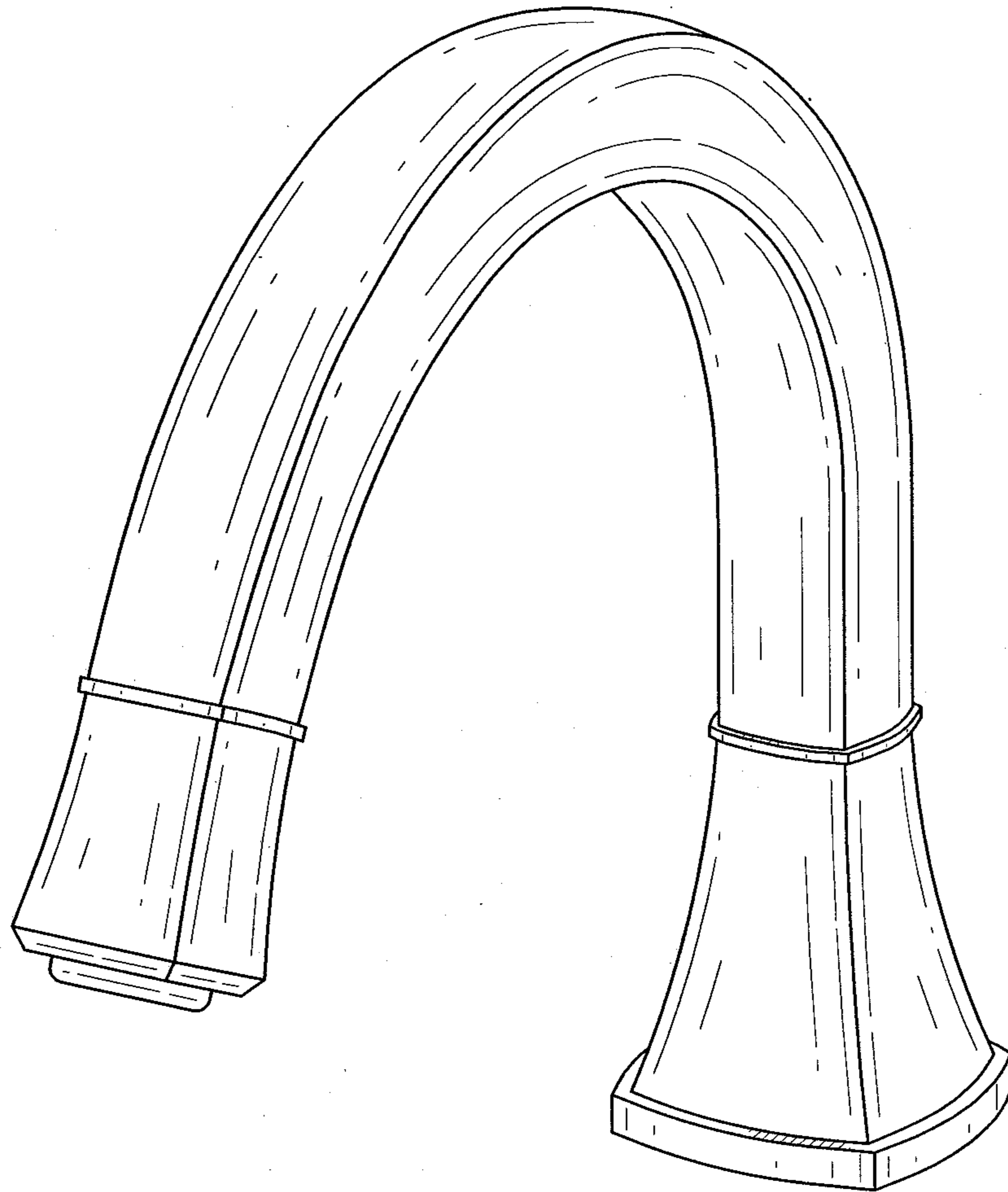


FIG. 7